

greenworks

pro™

BPB60L02
BPB60L512

ULTRAPOWER™ 60V

EN

BACKPACK BLOWER

OPERATOR MANUAL

ES

SOPLADOR DE MOCHILA

MANUAL DEL OPERADOR



BLC463

www.greenworkstools.com

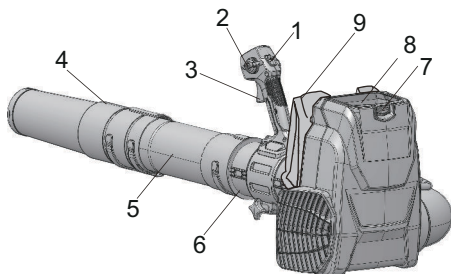
1	Description.....	4	10.6	Install the battery pack.....	8
1.1	Purpose.....	4	10.7	Remove the battery pack.....	8
1.2	Overview.....	4	10.8	Adjust the harness.....	8
2	Important safety instructions.....	4	10.9	Remove the harness.....	9
3	Battery-operated power tools.....	4	11	Operation.....	9
4	Child safety.....	5	11.1	Start the machine.....	9
5	Proposition 65.....	5	11.2	Stop the machine.....	9
6	Save these instructions.....	5	11.3	Cruise control lever.....	10
7	Symbols on the product.....	5	11.4	Turbo button.....	10
8	Risk levels.....	6	11.5	Operation tips.....	10
9	Environmentally safe battery disposal.....	6	12	Maintenance.....	10
10	Installation.....	6	12.1	Clean the machine.....	10
10.1	Unpack the machine.....	6	13	Transportation and storage.....	10
10.2	Install the trigger handle.....	7	13.1	Move the machine.....	10
10.3	Install the connecting tube.....	7	13.2	Store the machine.....	10
10.4	Install the rear blower tube.....	7	14	Troubleshooting.....	10
10.5	Install the front blower tube.....	8	15	Technical data.....	11
			16	Limited warranty.....	11
			17	Exploded view.....	12

1 DESCRIPTION

1.1 PURPOSE

The machine is used to propel air out of a tube to move unwanted materials such as leaves in the yard. Some machines also suck in leaves and small twigs through a vacuum, and shred them into a bag.

1.2 OVERVIEW



- | | |
|------------------------|--------------------------|
| 1 Turbo button | 6 Connecting tube |
| 2 Cruise control lever | 7 Battery release button |
| 3 Trigger | 8 Battery compartment |
| 4 Front blower tube | 9 Harness |
| 5 Rear blower tube | |

2 IMPORTANT SAFETY INSTRUCTIONS

For household use.

READ ALL INSTRUCTIONS BEFORE USING (THIS POWER TOOL)

▲ WARNING

Read and understand all instructions before using this product. Failure to follow all instructions listed below may result in electric shock, fire, and/or serious personal injury. When using an electrical appliance, basic precautions should always be followed, including the following:

- Do not use on wet surfaces.
- Do not charge the unit outdoors.
- Do not allow to be used as a toy. Close attention is necessary when used by or near children.
- Use only as described in this manual. Use only manufacturer's recommended attachments.
- If appliance is not working as it should, has been dropped, damaged, left outdoors, or dropped into water, return it to a service center.
- Do not handle appliance with wet hands.
- Do not put any object into openings. Do not use with any opening blocked; keep free of dust, lint, hair, and anything that may reduce air flow.

- Keep hair, loose clothing, fingers and all body parts away from openings and moving parts.
- Use extra care when cleaning on stairs.
- Do not operate power tools in an explosive atmosphere, such as in the presence of flammable liquids, gases, or dust. Power tools create sparks that may ignite the dust or fumes.
- Never allow children to operate the equipment. Never allow adults to operate the equipment without proper instruction.
- Wear heavy long pants, boots, and gloves. Avoid loose garments or jewellery that could get caught in moving parts of the machine or its motor.
- Do not force tool. Use the correct tool for your application. The correct tool will do the job better and safer at the rate for which it is designed.
- Keep firm footing and balance. Do not overreach. Overreaching can result in loss of balance.
- Do not use the tool if the switch does not turn it on or off. Any tool that cannot be controlled with the switch is dangerous, and must be repaired.
- Do not operate this unit when you are tired, ill, or under the influence of alcohol, drugs, or medication.
- Do not operate in poor lighting.
- Do not use to pick up flammable or combustible liquids, such as gasoline, or use in areas where they may be present
- Do not pick up anything that is burning or smoking, such as cigarettes, matches, or hot ashes.
- Do not use without dust bag and/or filters in place (if applicable).
- Check the work area before each use. Remove all objects such as rocks, broken glass, nails, wire, or string which can be thrown or become entangled in the machine.
- Use only identical manufacturer's replacement parts and accessories. Use of any other parts may create a hazard or cause product damage.
- To Reduce The Risk Of Electric Shock – Do Not Expose To Rain – Store Indoors.
- Use only with LB602, LB6025, LB603, LB604, LB605, LB606 and other BAC battery packs.
- Use only with CAC801, CH60DP01, 60DPC10A, CH60R00 and other CAC chargers.

3 BATTERY-OPERATED POWER TOOLS

- Do not use battery-operated appliance in rain.
- Turn off all controls before removing the battery.
- Recharge only with the charger specified by the manufacturer. A charger that is suitable for one type of battery pack may create a risk of fire when used with another battery pack.
- Use only the charger supplied by the manufacturer to recharge.

- Use appliances only with specifically designated battery packs. Use of any other battery packs may create a risk of injury and fire.
- Prevent unintentional starting. Ensure the switch is in the off-position before connecting to battery pack, picking up or carrying the appliance. Carry the power tool with your finger on the switch or energize power tool that have the switch on invites accidents.
- Disconnect the battery pack from the power tool before making any adjustments, changing accessories, or storing the power tool. Such preventive safety measures reduce the risk of starting the power tool accidentally.
- When battery pack is not in use, keep it away from other metal objects like paper clips, coins, keys, nails, screws or other small metal objects that can make a connection from one terminal to another. Shorting the battery terminals together may cause burns or a fire.
- Under abusive conditions, liquid may be ejected from the battery; avoid contact. If contact accidentally occurs, flush with water. If liquid contacts eyes, additionally seek medical help. Liquid ejected from the battery may cause irritation or burns.
- Do not incinerate the appliance even if it is severely damaged. The batteries can explode in a fire.
- Do not use a battery pack or appliance that is damaged or modified. Damaged or modified batteries may exhibit unpredictable behavior resulting in fire, explosion or risk of injury.
- Do not expose a battery pack or appliance to fire or excessive temperature. Exposure to fire or temperature above 265°F (130°C) may cause an explosion.
- Have servicing performed by a qualified repair person using only identical replacement parts. This will ensure that the safety of the product is maintained.
- Don't modify or attempt to repair the appliance or the battery pack (as applicable) except as indicated in the instructions for use and care.
- Follow all charging instructions and do not charge the battery pack or appliance outside of the temperature range specified in the instructions. Charging improperly or at temperatures outside of the specified range may damage the battery and increase the risk of fire.

4 CHILD SAFETY

Tragic accidents can occur if the operator is not aware of the presence of children.

- Keep children out of the working area and under the watchful care of a responsible adult.
- Do not allow children under the age of 14 to operate this machine. Children who are 14 years of age and older must read and understand the operating instructions and safety rules in this manual and must be trained and supervised by a parent.
- Stay alert, and turn the machine off if a child or any other person enters the working area.

- Use extreme care when approaching blind corners, doorways, shrubs, trees, or other objects that may obscure your view of a child who may run into the path of the machine.

5 PROPOSITION 65

▲ WARNING

This product contains a chemical known to the state of California to cause cancer, birth defects or other reproductive harm. Some dust created by power sanding, sawing, grinding, drilling, and other construction activities contains chemicals known to cause cancer, birth defects or other reproductive harm. Some examples of these chemicals are:




- Lead from lead-based paints;
- Crystalline silica from bricks and cement and other masonry products;
- Arsenic and chromium from chemically treated lumber.







Your risk of exposure to these chemicals varies depending on how often you do this type of work. To reduce your exposure to these chemicals, work in a well-ventilated area, and work with approved safety equipment, such as dust masks that are specially designed to filter out microscopic particles.

6 SAVE THESE INSTRUCTIONS

7 SYMBOLS ON THE PRODUCT




Some of the following symbols may be used on this tool. Please study them and learn their meaning. Proper interpretation of these symbols will allow you to operate the tool better and safer.

Symbol	Explanation
V	Voltage
A	Current
W	Power
min	Time
/min	Revolutions, strokes, surface speed, orbits etc., per minute
	Direct current
	Read and understand all instructions before operating the product, and follow all warnings and safety instructions.
	Precautions that involve your safety.

Symbol	Explanation
	Always wear eye protection with side shields marked to comply with ANSI Z87.1 when operating this equipment.
	Do not expose the product to rain or moist conditions.
	Keep all bystanders at least 50 feet away.
	Failure to keep loose clothing from being drawn into air intake could result in personal injury.
	Failure to keep long hair away from the air inlet could result in personal injury.
	Rotating impeller blades can cause severe injury.

8 RISK LEVELS

The following signal words and meanings are intended to explain the levels of risk associated with this product.

SYMBOL	SIGNAL	MEANING
	DANGER	Indicates an imminently hazardous situation, which, if not avoided, will result in death or serious injury.
	WARNING	Indicates a potentially hazardous situation, which, if not avoided, could result in death or serious injury.
	CAUTION	Indicates a potentially hazardous situation, which, if not avoided, may result in minor or moderate injury.
	CAUTION	(Without Safety Alert Symbol) Indicates a situation that may result in property damage.

9 ENVIRONMENTALLY SAFE BATTERY DISPOSAL



The toxic and corrosive materials below are in the batteries used in this machine: **Lithium-Ion, a toxic material.**

▲ WARNING

Discard all toxic materials in a specified manner to prevent contamination of the environment. Before discarding damaged or worn out Li-ion battery, contact your local waste disposal agency, or the local Environmental Protection Agency for information and specific instructions. Take the batteries to a local recycling and/or disposal center, certified for lithium-ion disposal.

▲ WARNING

If the battery pack cracks or breaks, with or without leaks, do not recharge it and do not use. Discard it and replace with a new battery pack. **DO NOT TRY TO REPAIR IT!** To prevent injury and risk of fire, explosion, or electric shock, and to avoid damage to the environment:

- Cover the terminals of the battery with heavy-duty adhesive tape.
- **DO NOT** try to remove or destroy any of the battery pack components.
- **DO NOT** try to open the battery pack.
- If a leak develops, the released electrolytes are corrosive and toxic. **DO NOT** get the solution in the eyes or on skin, and do not swallow it.
- **DO NOT** put these batteries in your regular household trash.
- **DO NOT** incinerate.
- **DO NOT** put them where they will become part of any waste landfill or municipal solid waste stream.
- Take them to a certified recycling or disposal center.

10 INSTALLATION

10.1 UNPACK THE MACHINE

▲ WARNING

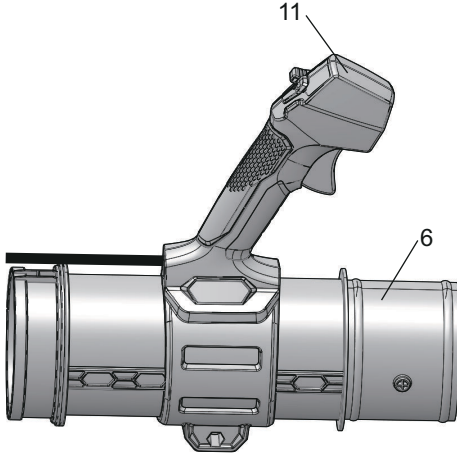
Make sure that you correctly assemble the machine before use.

▲ WARNING

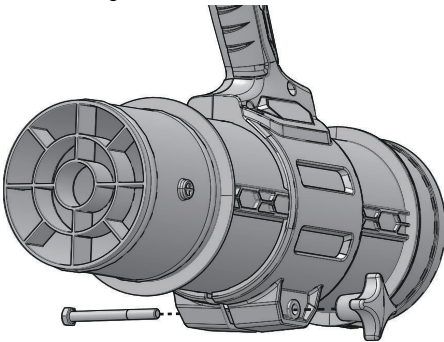
- If parts of the machine are damaged, do not use the machine.
- If you do not have all the parts, do not operate the machine.
- If parts are damaged or missing, contact the service center.

1. Open the package.
2. Read the documentation provided in the box.
3. Remove all the unassembled parts from the box.
4. Remove the machine from the box.
5. Discard the box and packing material in compliance with local regulations.

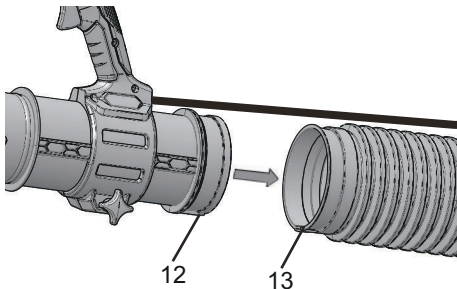
10.2 INSTALL THE TRIGGER HANDLE



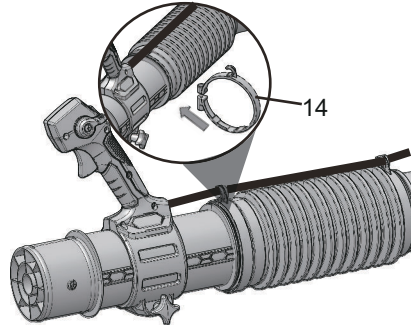
1. Move the trigger handle (11) onto the connecting tube (6).
2. Use knob to tighten the screw.



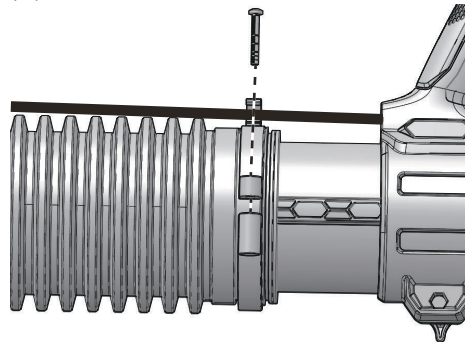
10.3 INSTALL THE CONNECTING TUBE



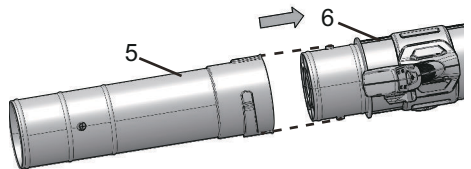
1. Align the rib (12) on the connecting tube with the slot (13) in the flexible tube.
2. Put the end of the connecting tube (6) into the flexible tube.
3. Push the connecting tube into the flexible tube.
4. Put the hose clamp (14) around the flexible tube.



5. Install and tighten the available screw into the hose clamp (14).

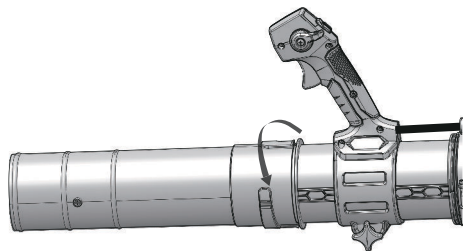


10.4 INSTALL THE REAR BLOWER TUBE



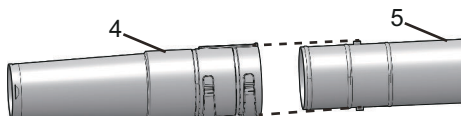
1. Align the grooves on the rear blower tube (5) with the tabs on the connecting tube (6).

- Turn the rear blower tube in the direction of the slot until the tabs lock into position.

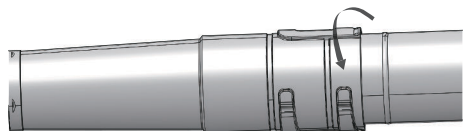


▲ WARNING
Put the cord in the cord retainer.

10.5 INSTALL THE FRONT BLOWER TUBE



- Align the grooves on the front blower tube (4) with the tabs on the rear blower tube (5).
- Install the front blower tube onto the rear blower tube until the tabs engage the grooves.
- Turn the front blower tube in the direction of the slot until the tabs lock into position.



i NOTE

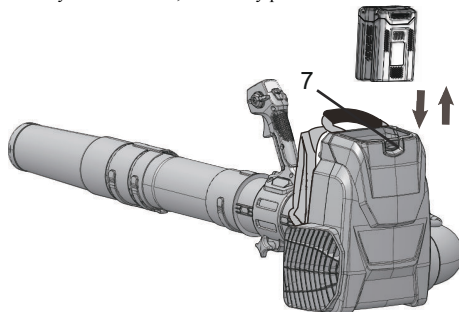
The front tube has two fixed positions. You can adjust the length of the tube according to different needs.

10.6 INSTALL THE BATTERY PACK

▲ WARNING

- If the battery pack or charger is damaged, replace the battery pack or the charger.
- Stop the machine and wait until the motor stops before you install or remove the battery pack.
- Read, know, and do the instructions in the battery and charger manual.

- Align the lift ribs on the battery pack with the grooves in the battery compartment.
- Push the battery pack into the battery compartment until the battery pack locks into place.
- When you hear a click, the battery pack is installed.

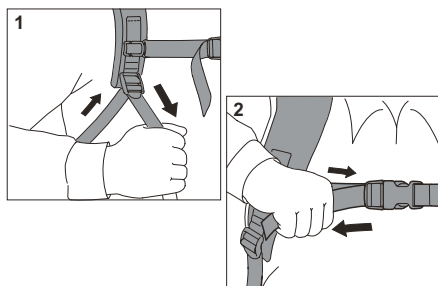


10.7 REMOVE THE BATTERY PACK

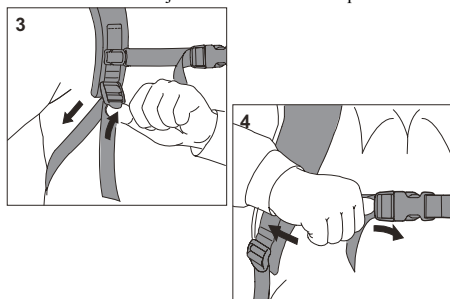
- Push and hold the battery release button.
- Remove the battery pack from the machine.

10.8 ADJUST THE HARNESS

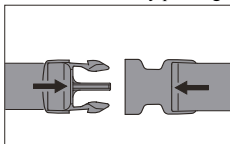
- Fit the backpack on your back.
- Pull the ends of the straps down to tighten the harness.
- Connect the horizontal chest strap.
- Pull the end of the chest strap to tighten.



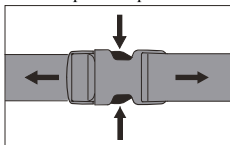
5. Lift the tabs of the adjusters to loosen the straps.



6. Lock the quick-release fastener by pushing it together.

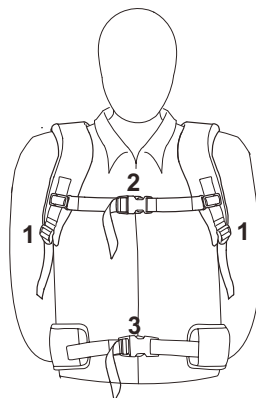


7. Squeeze the hooks to open the quick-release fastener.



i NOTE

Install the back pad against your back tightly and safely.



10.9 REMOVE THE HARNESS

1. Open the quick-release fasteners on the chest strap.
2. Loosen the harness straps by lifting the sliding adjusters and then take off the machine.

▲ WARNING

In the event of imminent danger, quickly remove the machine. Release the chest strap before you put the machine on the ground.

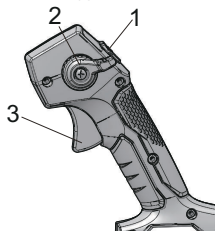
11 OPERATION

▲ WARNING

Make sure the blower tube is in position before operation.

11.1 START THE MACHINE

1. Pull the trigger (3) to start the machine.
2. Pull the trigger fully to increase the speed.
3. Release the trigger to decrease the speed.



11.2 STOP THE MACHINE

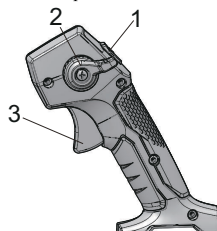
1. Release the trigger to stop the machine.

i NOTE

Wait until the motor stops after you stop the machine.

11.3 CRUISE CONTROL LEVER

1. Pull the cruise control lever (2) clockwise to increase the speed. This will lock the speed at the desired setting.
2. Push the cruise control lever counter clockwise to decrease the speed.



i NOTE

If you decrease the speed all the way, the unit will stop and it is necessary to start the machine again.

11.4 TURBO BUTTON

1. Push the turbo button (1), the machine is at the highest speed.
2. Release the turbo button, the machine is at the normal speed.

i NOTE

Using the turbo button drains the battery the fastest. Only use the turbo button when needed.

11.5 OPERATION TIPS

- Blow around the outer edge of the unwanted materials to prevent the unwanted materials from scattering.
- Use rakes and brooms to clear the unwanted material before you blow.
- Make the surfaces wet before you clear the unwanted material in dusty conditions.
- Look out for children, pets, open windows, and cleaned cars during operation.
- Clean the machine.
- Discard the unwanted material when you complete work.

12 MAINTENANCE

▲ CAUTION

Do not let brake fluids, gasoline, petroleum-based materials touch the plastic parts. Chemicals can cause damage to the plastic, and make the plastic unserviceable.

▲ CAUTION

Do not use strong solvents or detergents on the plastic housing or components.

▲ WARNING

Remove the battery pack from the machine before maintenance.

12.1 CLEAN THE MACHINE

▲ CAUTION

The machine must be dry. Humidity can cause risks of electrical shocks.

- Clear the unwanted material out of the air vent with a vacuum cleaner.
- Do not spray the air vent or put the air vent in solvents.
- Clean the housing and the plastic components with a moist and soft cloth.

13 TRANSPORTATION AND STORAGE

▲ WARNING

Remove the battery pack from the machine before transportation and storage.

13.1 MOVE THE MACHINE

- Only hold the machine with the handgrip.

13.2 STORE THE MACHINE

- Clean the machine before storage.
- Make sure that the motor is not hot when you store the machine.
- Make sure that the machine does not have loose or damaged parts. If it is necessary, do these steps/instructions:
 - Replace the damaged parts.
 - Tighten the bolts.
 - Speak to a person of an approved service center.
- Store the machine in a dry area.
- Make sure that children cannot come near the machine.

14 TROUBLESHOOTING

PROBLEM	POSSIBLE CAUSE	SOLUTION
The motor does not start when you pull the trigger.	The battery pack is not installed tightly.	Make sure that you tightly install the battery pack in the machine.
	The battery pack is out of power.	Charge the battery pack.

PROBLEM	POSSIBLE CAUSE	SOLUTION
The machine does not start.	The power switch is defective.	Replace the defective parts by an approved service center.
	The motor is defective.	
	The PCB board is defective.	
The air does not flow through the tube when you start the machine.	The air inlet or tube outlet has a blockage.	Remove the blockage.

15 TECHNICAL DATA

Voltage	60 V
Air volume	550 CFM
Air speed	160 MPH (257 Km/h)
Weight (without battery pack)	9.4 lbs. (4.3 kg)
Battery model	LB602, LB6025, LB603, LB604, LB605, LB606 and other BAC series
Charger model	CAC801, CH60DP01, 60DPC10A, CH60R00 and other CAC series

The recommended ambient temperature range:

Item	Temperature
Blower storage temperature range	32°F (0°C) - 113°F (45°C)
Blower operation temperature range	32°F (0°C) - 113°F (45°C)
Battery charging temperature range	39°F (4°C) - 104°F (40°C)
Charger operation temperature range	39°F (4°C) - 104°F (40°C)
Battery storage temperature range	32°F (0°C) - 113°F (45°C)
Battery discharging temperature range	32°F (0°C) - 113°F (45°C)

16 LIMITED WARRANTY



Greenworks hereby warrants this product, to the original purchaser with proof of purchase, for a period of four (4) years against defects in materials, parts or workmanship. Greenworks, at its own discretion will repair or replace any and all parts found to be defective, through normal use, free of charge to the customer. This warranty is valid only for units which have been used for personal use that have not been hired or rented for industrial/commercial use, and that have been maintained in accordance with the instructions in the owners' manual supplied with the product from new.

ITEMS NOT COVERED BY WARRANTY:

- Any part that has become inoperative due to misuse, commercial use, abuse, neglect, accident, improper maintenance, or alteration; or
- The unit, if it has not been operated and/or maintained in accordance with the owner's manual; or
- Normal wear, except as noted below;
- Routine maintenance items such as lubricants, blade sharpening;
- Normal deterioration of the exterior finish due to use or exposure.

HELPLINE:

Warranty service is available by calling our toll-free helpline, at 1-855-345-3934.

TRANSPORTATION CHARGES:

Transportation charges for the movement of any power equipment unit or attachment are the responsibility of the purchaser. It is the purchaser's responsibility to pay transportation charges for any part submitted for replacement under this warranty unless such return is requested in writing by Greenworks.

USA address:

Greenworks Tools
P.O. Box 1238

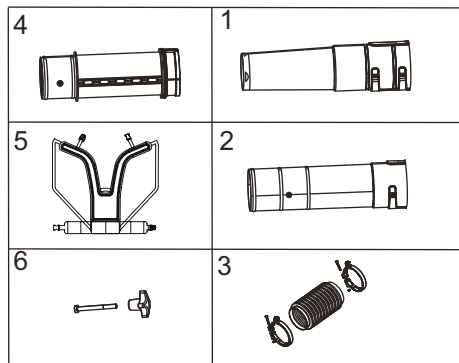
Mooresville, NC 28115

Canadian address:

Greenworks Tools Canada Inc.
P.O. Box 93095, Newmarket,
Ontario

L3Y 8K3

17 EXPLODED VIEW



No.	Part No.	Qty	Description
1	R0201983-00	1	Front blower tube
2	R0201984-00	1	Rear blower tube
3	R0201986-00	1	Flexible hose
4	R0201992-00	1	Connecting tube
5	R0201993-00	1	Harness
6	R0201994-00	1	Knob assembly

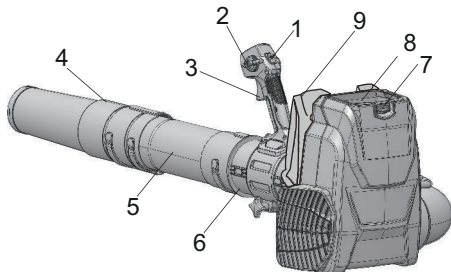
1	Descripción.....	14	10.6	Instalación de la batería.....	19
1.1	Finalidad.....	14	10.7	Retirada de la batería.....	19
1.2	Perspectiva general.....	14	10.8	Ajuste del arnés.....	19
2	Instrucciones importantes de seguridad.....	14	10.9	Retirada del arnés.....	20
3	Herramientas eléctricas a batería..	15	11	Funcionamiento.....	20
4	Seguridad infantil.....	15	11.1	Puesta en marcha de la máquina.....	20
5	Propuesta 65.....	15	11.2	Detención de la máquina.....	20
6	Conserve estas instrucciones.....	15	11.3	Palanca de control de crucero.....	20
7	Símbolos en el producto.....	15	11.4	Botón turbo.....	20
8	Niveles de riesgo.....	16	11.5	Consejos de funcionamiento.....	20
9	Eliminación de batería segura para el medio ambiente.....	16	12	Mantenimiento.....	21
10	Instalación.....	17	12.1	Limpieza de la máquina.....	21
10.1	Desembalaje de la máquina.....	17	13	Transporte y almacenamiento.....	21
10.2	Instalación del asa del gatillo.....	17	13.1	Traslado de la máquina.....	21
10.3	Instalación del tubo de conexión.....	17	13.2	Almacenamiento de la máquina.....	21
10.4	Instalación del tubo soplador trasero.....	18	14	Solución de problemas.....	21
10.5	Instalación del tubo soplador delantero.....	18	15	Datos técnicos.....	21
			16	Garantía limitada.....	22
			17	Vista despiezada.....	22

1 DESCRIPCIÓN

1.1 FINALIDAD

La máquina se utiliza para expulsar aire por un tubo para mover materiales no deseados, como hojas en el patio. Algunas máquinas también aspiran hojas y ramitas mediante vacío y las trituran en una bolsa.

1.2 PERSPECTIVA GENERAL



- | | |
|---------------------------------|-------------------------------------|
| 1 Botón turbo | 6 Tubo de conexión |
| 2 Palanca de control de crucero | 7 Botón de desbloqueo de la batería |
| 3 Gatillo | 8 Compartimento de la batería |
| 4 Tubo soplador delantero | 9 Arnés |
| 5 Tubo soplador trasero | |

2 INSTRUCCIONES IMPORTANTES DE SEGURIDAD

Para uso doméstico.

LEA TODAS LAS INSTRUCCIONES ANTES DEL USO (DE ESTA HERRAMIENTA ELÉCTRICA)

▲ AVISO

Debe leer y entender todas las instrucciones antes de utilizar este producto. El incumplimiento de las instrucciones indicadas a continuación puede provocar descargas eléctricas, incendios o lesiones personales graves. Cuando utilice un aparato eléctrico, deben seguirse siempre precauciones básicas, incluidas las siguientes:

- No utilice sobre superficies húmedas.
- No cargue la unidad en exteriores.
- No deje que se utilice como un juguete. Es necesario prestar mucha atención cuando es utilizado por niños o cerca de estos.
- Utilice únicamente como se describe en este manual. Utilice únicamente los accesorios recomendados por el fabricante.
- Si el aparato no funciona como debería, se ha caído, ha sufrido daños, se ha dejado al aire libre o se ha caído al agua, llévelo a un centro de servicio.
- No maneje el aparato con las manos mojadas.
- No introduzca ningún objeto por las aberturas. No lo utilice con una abertura obstruida; manténgalo libre de polvo, pelusas, pelos y cualquier cosa que pueda reducir el flujo de aire.
- Mantenga el cabello, la ropa suelta, los dedos y todas las partes del cuerpo lejos de las aberturas y de las piezas móviles.
- Tenga especial cuidado al limpiar escaleras.
- No utilice herramientas eléctricas en una atmósfera explosiva, como en la presencia de líquidos, gases o polvo que puedan inflamarse. Las herramientas eléctricas generan chispas que pueden encender el polvo o los gases.
- Nunca permita que los niños utilicen el equipo. Nunca permita que utilicen el equipo adultos sin la debida instrucción.
- Lleve pantalones largos y gruesos, botas y guantes. Evite prendas sueltas o joyas que puedan engancharse en las piezas móviles de la máquina o su motor.
- No fuerce la herramienta. Utilice la herramienta correcta para su aplicación. La herramienta correcta hará el trabajo mejor y con mayor seguridad a la velocidad para la que se diseñó.
- Mantenga una posición firme y el equilibrio. No se estire. Estirarse en exceso puede hacer que pierda el equilibrio.
- No utilice la herramienta si el interruptor no la enciende o la apaga. Cualquier herramienta que no pueda controlarse con el interruptor es peligrosa y debe repararse.
- No utilice esta unidad cuando esté cansado, enfermo o bajo la influencia de alcohol, drogas o medicamentos.
- No utilice en condiciones de poca iluminación.
- No utilice el aparato para recoger líquidos inflamables o combustibles, como gasolina, ni lo utilice en zonas donde estos líquidos puedan estar presentes.
- No recoja nada que esté ardiendo o eche humo, como cigarrillos, cerillas o cenizas calientes.
- No utilice sin la bolsa para el polvo o los filtros en su posición (si corresponde).
- Compruebe la zona de trabajo antes de cada uso. Retire todos los objetos, como piedras, trozos de cristal, clavos, alambres o cuerdas que puedan salir despedidos o enredarse en la máquina.
- Utilice únicamente accesorios y piezas de repuesto idénticos del fabricante. El uso de cualquier otra pieza puede generar un riesgo o producir daños en el producto.
- Para reducir el riesgo de descarga eléctrica – No exponga a la lluvia – Almacene en interior.
- Utilice únicamente con LB602, LB603, LB604, LB605, LB606 y otras baterías BAC.
- Utilice únicamente con CAC801, CH60DP01, 60DPC10A, CH60R00 y otros cargadores CAC.

3 HERRAMIENTAS ELÉCTRICAS A BATERÍA

- No utilice un aparato a batería bajo la lluvia.
- Apague todos los controles antes de retirar la batería.
- Recargue solo con el cargador especificado por el fabricante. Un cargador adecuado para un tipo de batería puede dar lugar a un riesgo de incendio cuando se usa con otra batería.
- Utilice únicamente el cargador suministrado por el fabricante para recargar.
- Utilice los aparatos únicamente con las baterías designadas específicamente. El uso de cualquier otra batería puede dar lugar a un riesgo de lesiones e incendio.
- Evite el arranque accidental. Asegúrese de que el interruptor esté en la posición de apagado antes de conectar a la batería y al coger o transportar el aparato. El transporte de una herramienta eléctrica con el dedo en el interruptor o la conexión de una herramienta eléctrica que tiene el interruptor activado fomenta los accidentes.
- Desconecte la batería de la herramienta eléctrica antes de realizar ajustes, cambiar accesorios o almacenar la herramienta eléctrica. Estas medidas de seguridad preventivas reducen el riesgo de que la herramienta eléctrica se arranque accidentalmente.
- Cuando la batería no esté en uso, manténgala alejada de otros objetos metálicos como clips, monedas, llaves, clavos, tornillos u otros objetos metálicos pequeños que puedan hacer una conexión entre los terminales. El cortocircuito de los terminales de la batería puede provocar quemaduras o un incendio.
- Bajo condiciones abusivas, es posible que salga líquido despedido de la batería; evite el contacto. Si se produce un contacto accidental, aclare con agua. Si el líquido entra en contacto con los ojos, acuda también al médico. El líquido despedido de la batería puede provocar irritación o quemaduras.
- No incinere el aparato aunque esté gravemente dañado. Las baterías pueden explotar en un incendio.
- No utilice una batería o un aparato que haya sufrido daños o modificaciones. Las baterías dañadas o modificadas pueden exhibir un comportamiento impredecible que puede dar lugar a un incendio, una explosión o un riesgo de lesiones.
- No exponga una batería o un aparato al fuego ni a temperaturas excesivas. La exposición al fuego o a una temperatura superior a 265°F (130°C) puede provocar una explosión.
- Solicite a un técnico de reparación cualificado que realice las tareas de servicio utilizando únicamente piezas de repuesto idénticas. Esto garantizará el mantenimiento de la seguridad del producto.
- No modifique ni intente reparar el aparato o la batería (según corresponda), excepto lo indicado en las instrucciones de uso y cuidado.
- Siga todas las instrucciones de carga y no cargue la batería o el aparato fuera del intervalo de temperatura especificado en las instrucciones. La carga incorrecta o a

temperaturas fuera del intervalo especificado puede dañar la batería y aumentar el riesgo de incendio.

4 SEGURIDAD INFANTIL

Pueden producirse accidentes trágicos si el operario no es consciente de la presencia de niños.

- Mantenga a los niños fuera de la zona de trabajo y bajo la vigilancia de un adulto responsable.
- No permita que niños menores de 14 años utilicen esta máquina. Los niños de 14 años y mayores deben leer y entender las instrucciones de funcionamiento y las normas de seguridad que se encuentran en este manual y deben recibir formación y supervisión por parte de uno de sus progenitores.
- Manténgase alerta y apague la máquina si un niño o cualquier otra persona entra en la zona de trabajo.
- Tenga mucho cuidado al acercarse a esquinas ciegas, portales, arbustos, árboles u otros objetos que puedan ocultar su visión de un niño que pueda correr hacia el recorrido de la máquina.

5 PROPUESTA 65

▲ AVISO

Este producto contiene una sustancia química conocida en el estado de California como causante de cáncer, defectos de nacimiento u otros daños reproductivos. El polvo generado por el lijado eléctrico, el serrado, el esmerilado, la perforación y otras actividades de construcción contiene sustancias químicas que se sabe que son causantes de cáncer, defectos de nacimiento u otros daños reproductivos. Algunos ejemplos de estas sustancias químicas son:









- Plomo de pinturas con base de plomo;
- Sílice cristalina de ladrillos y cemento y otros productos de albañilería;
- Arsénico y cromo de la madera tratada químicamente.

El riesgo de exposición a estas sustancias químicas varía según la frecuencia con la que realice este tipo de trabajo. Para reducir su exposición a estas sustancias químicas, trabaje en una zona bien ventilada y trabaje con equipos de seguridad aprobados, como máscaras antipolvo, que estén especialmente diseñadas para filtrar partículas microscópicas.

6 CONSERVE ESTAS INSTRUCCIONES



7 SÍMBOLOS EN EL PRODUCTO


En esta herramienta pueden utilizarse algunos de los siguientes símbolos. Le rogamos que los estudie y aprenda su significado. La interpretación correcta de estos símbolos le permitirá manejar la herramienta mejor y de manera más segura.

Símbolo	Explicación
V	Tensión
A	Corriente
W	Potencia
min	Tiempo
/min	Revoluciones, carreras, velocidad de superficie, órbitas, etc., por minuto
≡	Corriente continua
	Debe leer y entender todas las instrucciones antes de manejar el producto, así como seguir todas las advertencias e instrucciones de seguridad.
	Precauciones que afectan a su seguridad.
	Lleve siempre protección ocular con protectores laterales marcada para cumplir la ANSI Z87.1 cuando utilice este equipo.
	No exponga el producto a la lluvia o a condiciones de humedad.
	Mantenga a los transeúntes al menos a 15 metros.
	Si no evita que la ropa suelta se introduzca en la entrada de aire, podrían producirse lesiones personales.
	Si no se mantiene el cabello largo lejos de la entrada de aire, podrían producirse lesiones personales.
	Las palas giratorias del rotor pueden producir lesiones graves.

8 NIVELES DE RIESGO

Las siguientes indicaciones y significados tienen como fin explicar los niveles de riesgo asociados a este producto.

SÍMBOLO	INDICACIÓN	SIGNIFICADO
	PELIGRO	Indica una situación de peligro inminente que, de no evitarse, provocará lesiones graves o incluso la muerte.
	ADVERTENCIA	Indica una situación de peligro potencial que, de no evitarse, podría provocar lesiones graves o incluso la muerte.

SÍMBOLO	INDICACIÓN	SIGNIFICADO
	PRECAUCIÓN	Indica una situación de peligro potencial que, de no evitarse, puede provocar lesiones leves o moderadas.
	PRECAUCIÓN	(Sin símbolo de alerta sobre seguridad) Indica una situación que puede provocar daños materiales.

9 ELIMINACIÓN DE BATERÍA SEGURA PARA EL MEDIO AMBIENTE



Los materiales tóxicos y corrosivos que figuran a continuación se encuentran en las baterías utilizadas en esta máquina: **Ion de litio, un material tóxico.**

▲ AVISO

Deseche todos los materiales tóxicos de una manera especificada para evitar la contaminación del medio ambiente. Antes de desechar una batería de ion de litio dañada o agotada, contacte con la agencia local de eliminación de residuos o con la agencia de protección ambiental local para obtener información e instrucciones específicas. Lleve las baterías a un centro de reciclaje o eliminación local, certificado para la eliminación de ion de litio.

▲ AVISO

Si la batería se agrieta o se rompe, con o sin fugas, no la recargue ni la utilice. Deséchela y sustitúyala por una batería nueva. ¡NO INTENTE REPARARLA! Para evitar lesiones y riesgos de incendio, explosión o descarga eléctrica, y para evitar daños al medio ambiente:

- Cubra los terminales de la batería con cinta adhesiva resistente.
- NO intente retirar o destruir ninguno de los componentes de la batería.
- NO intente abrir la batería.
- Si se produce una fuga, los electrolitos liberados son corrosivos y tóxicos. NO deje que la solución entre en contacto con los ojos o la piel, y no la ingiera.
- NO deseche estas baterías con la basura doméstica normal.
- NO incinere.
- NO lleve las baterías a lugares donde formarán parte de vertederos de residuos o flujos de residuos sólidos urbanos.
- Llévelas a un centro de reciclaje o eliminación certificado.

10 INSTALACIÓN

10.1 DESEMBALAJE DE LA MÁQUINA

▲ AVISO

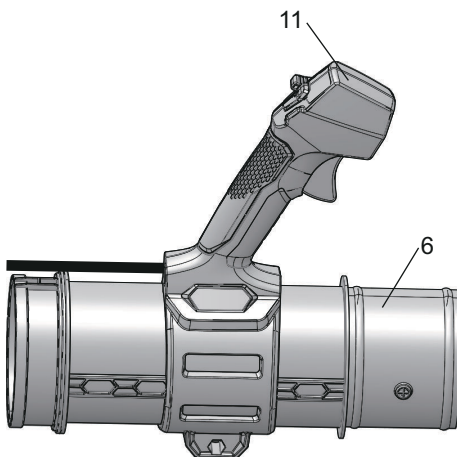
Asegúrese de montar correctamente la máquina antes del uso.

▲ AVISO

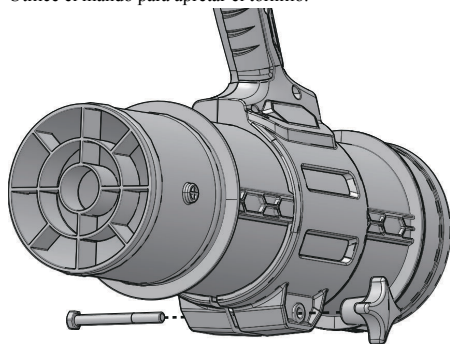
- Si las piezas de la máquina presentan daños, no utilice la máquina.
- Si no tiene todas las piezas, no utilice la máquina.
- Si faltan piezas o hay piezas dañadas, contacte con el centro de servicio.

1. Abra el embalaje.
2. Lea la documentación que se proporciona en la caja.
3. Retire todas las piezas sin montar de la caja.
4. Retire la máquina de la caja.
5. Deseche la caja y el material de embalaje de conformidad con los reglamentos locales.

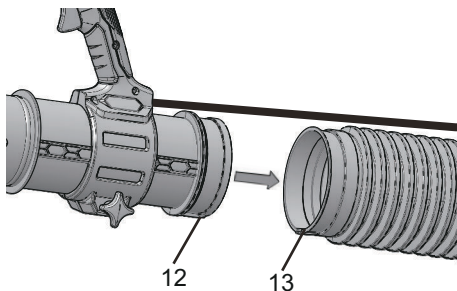
10.2 INSTALACIÓN DEL ASA DEL GATILLO



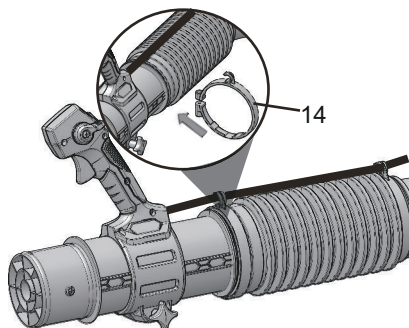
1. Mueva el asa del gatillo (11) sobre el tubo de conexión (6).
2. Utilice el mando para apretar el tornillo.



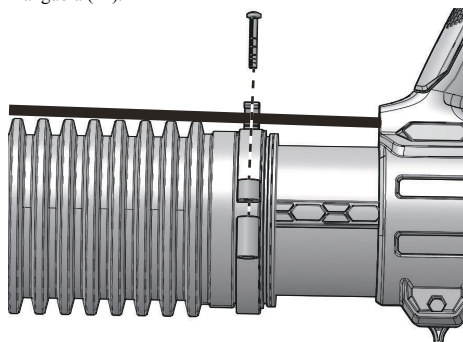
10.3 INSTALACIÓN DEL TUBO DE CONEXIÓN



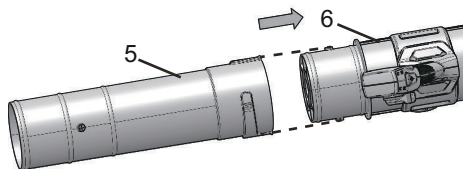
1. Alinee la nervadura (12) del tubo de conexión con la ranura (13) del tubo flexible.
2. Introduzca el extremo del tubo de conexión (6) en el tubo flexible.
3. Introduzca el tubo de conexión en el tubo flexible.
4. Ponga la abrazadera de manguera (14) alrededor del tubo flexible.



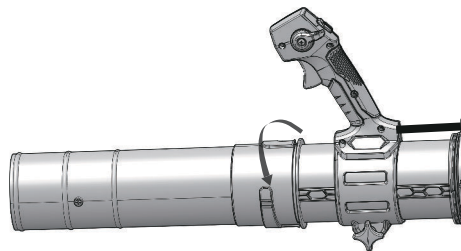
5. Instale y apriete el tornillo disponible en la abrazadera de manguera (14).



10.4 INSTALACIÓN DEL TUBO SOPLADOR TRASERO



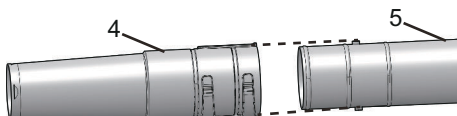
1. Alinee las ranuras del tubo soplador trasero (5) con las pestañas del tubo de conexión (6).
2. Gire el tubo soplador trasero en la dirección de la ranura hasta que las pestañas se bloqueen en posición.



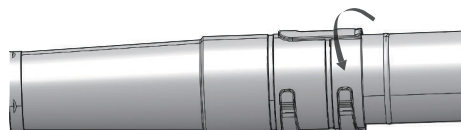
▲ AVISO

Coloque el cable en el soporte del cable.

10.5 INSTALACIÓN DEL TUBO SOPLADOR DELANTERO



1. Alinee las ranuras del tubo soplador delantero (4) con las pestañas del tubo soplador trasero (5).
2. Instale el tubo soplador delantero sobre el tubo soplador trasero hasta que las pestañas encajen en las ranuras.
3. Gire el tubo soplador delantero en la dirección de la ranura hasta que las pestañas se bloqueen en posición.

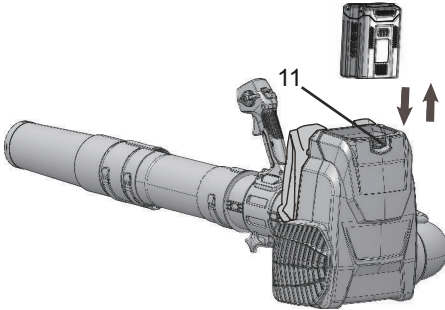


i NOTA

El tubo delantero tiene dos posiciones fijas. Puede ajustar la longitud del tubo en función de las distintas necesidades.

10.6 INSTALACIÓN DE LA BATERÍA**▲ AVISO**

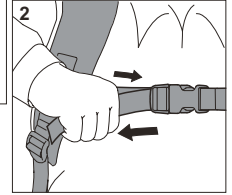
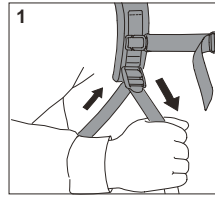
- Si la batería o el cargador ha sufrido daños, sustituya la batería o el cargador.
 - Detenga la máquina y espere hasta que el motor se pare antes de instalar o retirar la batería.
 - Debe leer, conocer y seguir las instrucciones del manual de la batería y el cargador.
1. Alinee las nervaduras de elevación de la batería con las ranuras del compartimento de la batería.
 2. Introduzca la batería en el compartimento de la batería hasta que encaje en su posición.
 3. Cuando escuche un clic, la batería está instalada.

**10.7 RETIRADA DE LA BATERÍA**

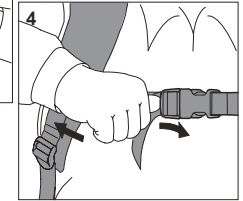
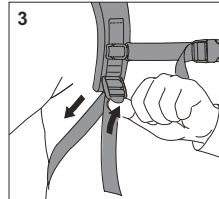
1. Pulse y mantenga pulsado el botón de desbloqueo de la batería.
2. Retire la batería de la máquina.

10.8 AJUSTE DEL ARNÉS

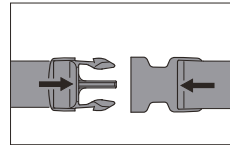
1. Póngase la mochila en la espalda.
2. Tire de los extremos de las correas hacia abajo para apretar el arnés.
3. Conecte la correa del pecho horizontal.
4. Tire del extremo de la correa del pecho para apretar.



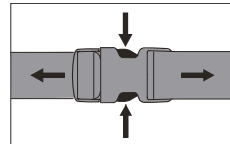
5. Levante las pestañas de los ajustadores para aflojar las correas.



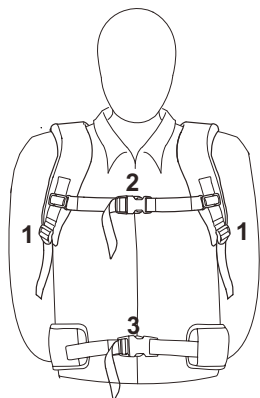
6. Para cerrar el cierre de apertura rápida introduzca los dos extremos.



7. Para abrir el cierre de apertura rápida apriete los ganchos.

**i NOTA**

Instale la almohadilla trasera contra su espalda firmemente y con seguridad.



10.9 RETIRADA DEL ARNÉS

1. Abra los cierres de apertura rápida de la correa del pecho.
2. Afloje las correas del arnés levantando los ajustadores deslizantes y posteriormente saque la máquina.

▲ AVISO

En caso de peligro inminente, retire rápidamente la máquina. Suelte la correa del pecho antes de poner la máquina en el suelo.

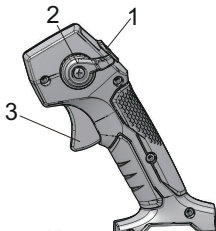
11 FUNCIONAMIENTO

▲ AVISO

Asegúrese de que el tubo soplador esté en posición antes del funcionamiento.

11.1 PUESTA EN MARCHA DE LA MÁQUINA

1. Apriete el gatillo (3) para poner en marcha la máquina.
2. Apriete el gatillo a fondo para aumentar la velocidad.
3. Suelte el gatillo para disminuir la velocidad.



11.2 DETENCIÓN DE LA MÁQUINA

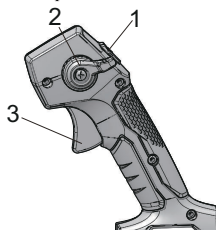
1. Suelte el gatillo para detener la máquina.

i NOTA

Espere hasta que el motor se detenga tras detener la máquina.

11.3 PALANCA DE CONTROL DE CRUCERO

1. Tire de la palanca de control de crucero (2) en sentido horario para aumentar la velocidad. Esto bloqueará la velocidad en el ajuste deseado.
2. Empuje la palanca de control de crucero en sentido antihorario para disminuir la velocidad.



i NOTA

Si disminuye la velocidad del todo, la unidad se detendrá y es necesario volver a poner en marcha la máquina.

11.4 BOTÓN TURBO

1. Pulse el botón turbo (1), la máquina está a la velocidad más alta.
2. Suelte el botón turbo, la máquina está a la velocidad normal.

i NOTA

La utilización del botón turbo agota la batería más rápidamente. Utilice únicamente el botón turbo cuando sea necesario.

11.5 CONSEJOS DE FUNCIONAMIENTO

- Sople alrededor del borde exterior de los materiales no deseados para evitar que estos se dispersen.
- Utilice rastrillos y escobas para quitar el material no deseado antes de soplar.
- Humedezca las superficies antes de quitar el material no deseado en condiciones de polvo.
- Tenga cuidado con los niños, las mascotas, las ventanas abiertas y los coches limpios durante el funcionamiento.
- Limpie la máquina.
- Deseche el material no deseado cuando finalice el trabajo.

12 MANTENIMIENTO

▲ PRECAUCIÓN

No permita que líquidos de frenos, gasolina y otros derivados del petróleo toquen las piezas de plástico. Las sustancias químicas pueden dañar el plástico y hacer que quede inservible.

▲ PRECAUCIÓN

No utilice disolventes o detergentes fuertes en la carcasa o los componentes de plástico.

▲ AVISO

Retire la batería de la máquina antes de realizar tareas de mantenimiento.

12.1 LIMPIEZA DE LA MÁQUINA

▲ PRECAUCIÓN

La máquina debe estar seca. La humedad supone un riesgo de descargas eléctricas.

- Quite el material no deseado del respiradero con un aspirador.
- No pulverice el respiradero ni lo introduzca en disolventes.
- Limpie la carcasa y los componentes de plástico con un paño húmedo y suave.

13 TRANSPORTE Y ALMACENAMIENTO

▲ AVISO

Retire la batería de la máquina antes del transporte y el almacenamiento.

13.1 TRASLADO DE LA MÁQUINA

- Sujete la máquina únicamente por la empuñadura.

13.2 ALMACENAMIENTO DE LA MÁQUINA

- Limpie la máquina antes del almacenamiento.
- Asegúrese de que el motor no esté caliente cuando almacene la máquina.
- Asegúrese de que la máquina no tenga piezas sueltas o dañadas. Si es necesario, siga estos pasos/estas instrucciones:
 - Sustituya las piezas dañadas.
 - Apriete los pernos.
 - Hable con una persona de un centro de servicio aprobado.
- Almacene la máquina en una zona seca.

- Asegúrese de que los niños no puedan acercarse a la máquina.

14 SOLUCIÓN DE PROBLEMAS

PROBLEMA	POSIBLE CAUSA	SOLUCIÓN
El motor no se pone en marcha cuando aprieta el gatillo.	La batería no se ha instalado bien.	Asegúrese de que ha instalado bien la batería en la máquina.
	La batería se ha agotado.	Cargue la batería.
La máquina no se pone en marcha.	El interruptor de encendido está defectuoso.	Las piezas defectuosas deben ser sustituidas por un centro de servicio autorizado.
	El motor está defectuoso.	
	La placa de circuitos impresos está defectuosa.	
El aire no fluye por el tubo cuando pone en marcha la máquina.	La entrada de aire o la salida del tubo tiene una obstrucción.	Elimine la obstrucción.

15 DATOS TÉCNICOS

Tensión	60 V
Volumen de aire	550 CFM
Velocidad de aire	160 MPH (257 km/h)
Peso (sin batería)	9.4 lbs. (4.3 kg)
Modelo de batería	LB602, LB6025, LB603, LB604, LB605, LB606 y otras series BAC
Modelo de cargador	CAC801, CH60DP01, 60DPC10A, CH60R00 y otras series CAC

El intervalo de temperatura ambiente recomendado:

Elemento	Temperatura
Intervalo de temperatura de almacenamiento del soplador	32°F (0°C) - 113°F (45°C)
Intervalo de temperatura de funcionamiento del soplador	32°F (0°C) - 113°F (45°C)
Intervalo de temperatura de carga de la batería	39°F (4°C) - 104°F (40°C)
Intervalo de temperatura de funcionamiento del cargador	39°F (4°C) - 104°F (40°C)

Elemento	Temperatura
Intervalo de temperatura de almacenamiento de la batería	32°F (0°C) - 113°F (45°C)
Intervalo de temperatura de descarga de la batería	32°F (0°C) - 113°F (45°C)

Dirección en EE.UU.: Greenworks Tools P.O. Box 1238 Mooresville, NC 28115	Dirección en Canadá: Greenworks Tools Canada Inc. P.O. Box 93095, Newmarket, Ontario L3Y 8K3
---	---

16 GARANTÍA LIMITADA



Por la presente Greenworks garantiza este producto, al comprador original con el comprobante de compra, durante un periodo de cuatro (4) años frente a defectos en materiales, piezas o mano de obra. A su entera discreción Greenworks reparará o sustituirá cualquiera y todas las piezas que resulten ser defectuosas, con un uso normal, sin coste alguno para el cliente. Esta garantía es válida únicamente para unidades que se hayan utilizado para uso personal que no han sido arrendadas o alquiladas para uso industrial/comercial y cuyo mantenimiento se ha realizado de acuerdo con las instrucciones del manual del propietario suministrado con el producto nuevo.

ARTÍCULOS NO CUBIERTOS POR LA GARANTÍA:

1. Cualquier pieza que no funcione debido a mal uso, uso comercial, abuso, negligencia, accidente, mantenimiento inadecuado o alteración; o
2. La unidad, si no ha sido utilizada o mantenida de acuerdo con el manual del propietario; o
3. Desgaste normal, excepto en lo indicado a continuación;
4. Artículos de mantenimiento de rutina tales como lubricantes, afilado de cuchillas;
5. Deterioro normal del acabado exterior debido al uso o la exposición.

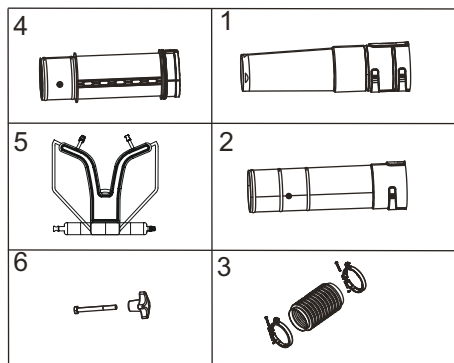
LÍNEA DE ASISTENCIA TELEFÓNICA:

Puede contactar con el servicio de garantía llamando a nuestra línea de asistencia telefónica gratuita, a 1-855-345-3934.

COSTES DE TRANSPORTE:

Los costes de transporte por el desplazamiento de cualquier unidad o accesorio de equipos eléctricos son responsabilidad del comprador. Es responsabilidad del comprador pagar los costes de transporte de cualquier pieza enviada para su sustitución bajo esta garantía, a menos que dicha devolución sea solicitada por escrito por Greenworks.

17 VISTA DESPIEZADA



Nº	Nº pieza	Can t.	Descripción
1	R0201983-00	1	Tubo soplador delantero
2	R0201984-00	1	Tubo soplador trasero
3	R0201986-00	1	Manguera flexible
4	R0201992-00	1	Tubo de conexión
5	R0201993-00	1	Arnés
6	R0201994-00	1	Conjunto del mando

