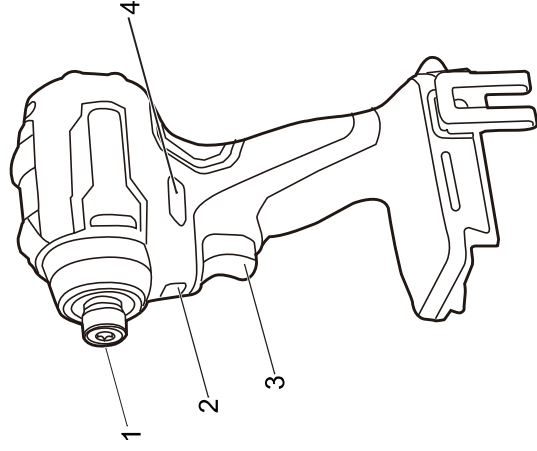
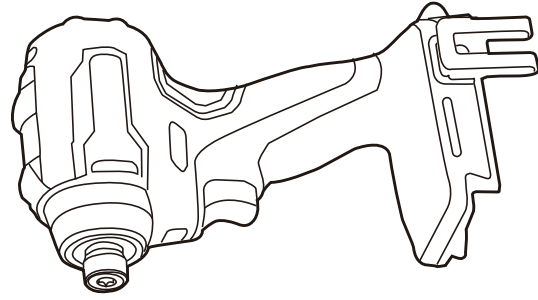


Quick Start Guide

IMPACT DRIVER



- 1. 1/4" Coupler
- 2. LED Light
- 3. Trigger
- 4. Forward / Reverse

Depending on the model purchased, packaging will contain different accessories and parts. Refer to the package for more details.

greenworks



Europe
www.greenworkstools.eu



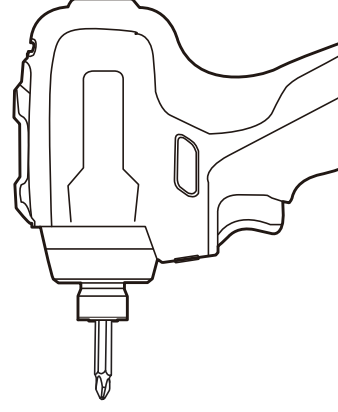
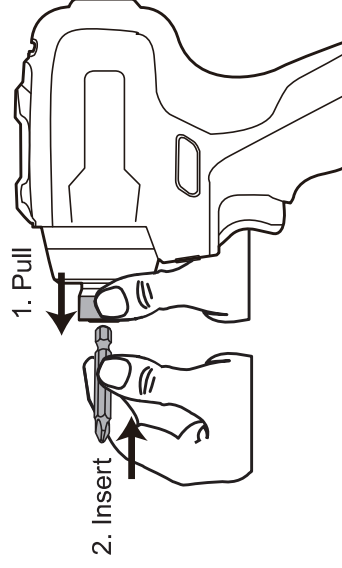
USA
www.greenworkstools.com



Canada
www.greenworkstools.ca

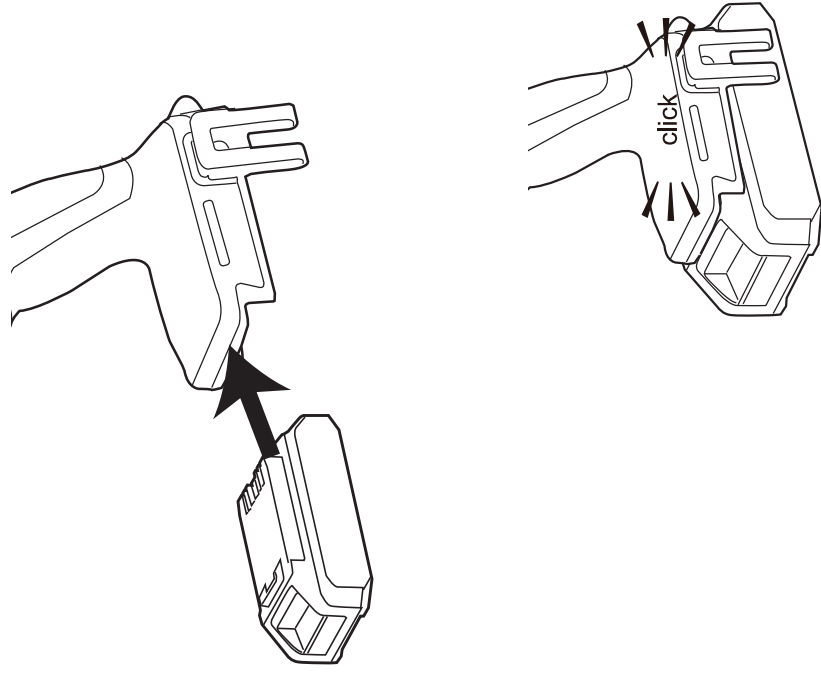
INSTALLATION

Install the bit



Install the battery pack

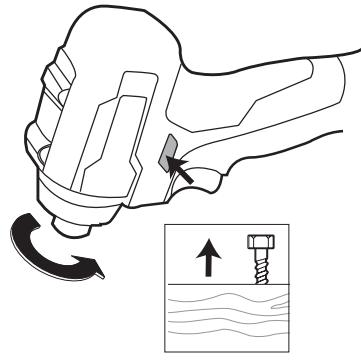
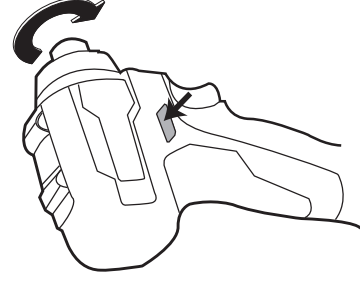
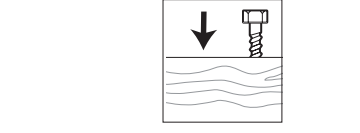
3



OPERATION

Forward/reverse switch

4



5

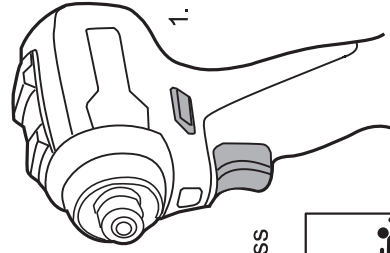
Start the machine

The machine can not work until the reverse switch is pushed fully to the left or right.

6

LED light

The LED light illuminates when the trigger is depressed.



1. Press to left or right

2. Press

