

# greenworks

**PA421K  
G24CS10**

EN	3/8" CROWN STAPLER	OPERATOR MANUAL
FR	3/8" AGRAFEUSE À COURONNE	MANUEL DE L'UTILISATEUR
ES	3/8" GRAPADORA DE CORONA	MANUAL DEL OPERADOR



**STG309**

[www.greenworkstools.com](http://www.greenworkstools.com)



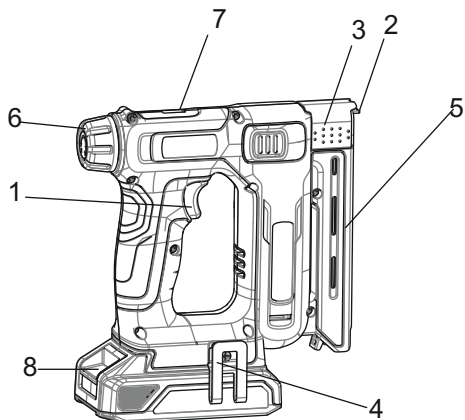
<b>1</b>	<b>Description.....</b>	<b>4</b>	<b>7</b>	<b>Proposition 65.....</b>	<b>7</b>
1.1	Purpose.....	4	<b>8</b>	<b>Installation.....</b>	<b>7</b>
1.2	Overview.....	4	8.1	Unpack the machine.....	7
1.3	Packing list.....	4	8.2	Install belt clip.....	8
<b>2</b>	<b>General power tool safety</b>		8.3	Load staples.....	8
	<b>warnings.....</b>	<b>4</b>	8.4	Install the battery pack.....	8
2.1	Work area safety.....	4	8.5	Remove the battery pack.....	9
2.2	Electrical safety.....	4	<b>9</b>	<b>Operation.....</b>	<b>9</b>
2.3	Personal safety.....	4	<b>10</b>	<b>Operation.....</b>	<b>9</b>
2.4	Power tool use and care.....	5	10.1	Adjust the staple depth.....	9
2.5	Battery tool use and care.....	5	10.2	Driving a staple.....	9
2.6	Service.....	5	10.3	Wire and screen accessory.....	9
<b>3</b>	<b>Tacker safety warnings.....</b>	<b>5</b>	<b>11</b>	<b>Maintenance.....</b>	<b>9</b>
<b>4</b>	<b>Symbols on the product.....</b>	<b>6</b>	11.1	Remove a jammed staple.....	10
<b>5</b>	<b>Risk levels.....</b>	<b>7</b>	<b>12</b>	<b>Technical data.....</b>	<b>10</b>
<b>6</b>	<b>Environmentally safe battery</b>		<b>13</b>	<b>Limited warranty.....</b>	<b>10</b>
	<b>disposal.....</b>	<b>7</b>			

## 1 DESCRIPTION

### 1.1 PURPOSE

You may use this product for the purposes listed below:  
Driving staples into wood ; Using the included accessory, driving staples to secure fencing wire and wire screen.

### 1.2 OVERVIEW



- |                             |                          |
|-----------------------------|--------------------------|
| 1 Switch trigger            | 5 Magazine               |
| 2 Activation foot           | 6 Depth adjustment knob  |
| 3 Wire and screen accessory | 7 Drive force indicator  |
| 4 Belt clip                 | 8 Battery release button |

### 1.3 PACKING LIST

- |                 |                    |
|-----------------|--------------------|
| 1 Crown stapler | 3 T-Type (500 pcs) |
| 2 Manual        | 4 U-Type (500 pcs) |

## 2 GENERAL POWER TOOL SAFETY WARNINGS

### ▲ WARNING

Read all safety warnings and all instructions. Failure to follow the warnings and instructions may result in electric shock, fire and/or serious injury.

Save all warnings and instructions for future reference.

The term "power tool" in the warnings refers to your mains-operated (corded) power tool or battery-operated (cordless) power tool.

### 2.1 WORK AREA SAFETY

- **Keep work area clean and well lit.** Cluttered or dark areas invite accidents.

- **Do not operate power tools in explosive atmospheres, such as in the presence of flammable liquids, gases or dust.** Power tools create sparks which may ignite the dust or fumes.
- **Keep children and bystanders away while operating a power tool.** Distractions can cause you to lose control.

### 2.2 ELECTRICAL SAFETY

- **Power tool plugs must match the outlet. Never modify the plug in any way. Do not use any adapter plugs with earthed (grounded) power tools.** Unmodified plugs and matching outlets will reduce risk of electric shock.
- **Avoid body contact with earthed or grounded surfaces, such as pipes, radiators, ranges and refrigerators.** There is an increased risk of electric shock if your body is earthed or grounded.
- **Do not expose power tools to rain or wet conditions.** Water entering a power tool will increase the risk of electric shock.
- **Do not abuse the cord. Never use the cord for carrying, pulling or unplugging the power tool. Keep cord away from heat, oil, sharp edges or moving parts.** Damaged or entangled cords increase the risk of electric shock.
- **When operating a power tool outdoors, use an extension cord suitable for outdoor use.** Use of a cord suitable for outdoor use reduces the risk of electric shock.
- **If operating a power tool in a damp location is unavoidable, use a residual current device (RCD) protected supply.** Use of an RCD reduces the risk of electric shock.

### 2.3 PERSONAL SAFETY

- **Stay alert, watch what you are doing and use common sense when operating a power tool. Do not use a power tool while you are tired or under the influence of drugs, alcohol or medication.** A moment of inattention while operating power tools may result in serious personal injury.
- **Use personal protective equipment. Always wear eye protection.** Protective equipment such as a dust mask, non-skid safety shoes, hard hat or hearing protection used for appropriate conditions will reduce personal injuries.
- **Prevent unintentional starting. Ensure the switch is in the off position before connecting to power source and/or battery pack, picking up or carrying the tool.** Carrying power tools with your finger on the switch or energizing power tools that have the switch on invites accidents.
- **Remove any adjusting key or wrench before turning the power tool on.** A wrench or a key left attached to a rotating part of the power tool may result in personal injury.
- **Do not overreach. Keep proper footing and balance at all times.** This enables better control of the power tool in unexpected situations.

- **Dress properly. Do not wear loose clothing or jewellery. Keep your hair, clothing and gloves away from moving parts.** *Loose clothes, jewellery or long hair can be caught in moving parts.*
- **If devices are provided for the connection of dust extraction and collection facilities, ensure these are connected and properly used.** *Use of dust collection can reduce dust related hazards.*
- **Do not let familiarity gained from frequent use of tools allow you to become complacent and ignore tool safety principles.** *A careless action can cause severe injury within a fraction of a second.*

## 2.4 POWER TOOL USE AND CARE

- **Do not force the power tool. Use the correct power tool for your application.** *The correct power tool will do the job better and safer at the rate for which it was designed.*
- **Do not use the power tool if the switch does not turn it on and off.** *Any power tool that cannot be controlled with the switch is dangerous and must be repaired.*
- **Disconnect the plug from the power source and/or the battery pack from the power tool before making any adjustments, changing accessories, or storing power tools.** *Such preventive safety measures reduce the risk of starting the power tool accidentally*
- **Store idle power tools out of the reach of children and do not allow persons unfamiliar with the power tool or these instructions to operate the power tool.** *Power tools are dangerous in the hands of untrained users.*
- **Maintain power tools. Check for misalignment or binding of moving parts, breakage of parts and any other condition that may affect the power tool's operation. If damaged, have the power tool repaired before use.** *Many accidents are caused by poorly maintained power tools.*
- **Keep cutting tools sharp and clean.** *Properly maintained cutting tools with sharp cutting edges are less likely to bind and are easier to control.*
- **Use the power tool, accessories and tool bits etc. in accordance with these instructions, taking into account the working conditions and the work to be performed.** *Use of the power tool for operations different from those intended could result in a hazardous situation.*
- **Keep handles and grasping surfaces dry, clean and free from oil and grease.** *Slippery handles and grasping surfaces do not allow for safe handling and control of the tool in unexpected situations.*

## 2.5 BATTERY TOOL USE AND CARE

- **Recharge only with the charger specified by the manufacturer.** *A charger that is suitable for one type of battery pack may create a risk of fire when used with another battery pack.*
- **Use power tools only with specifically designated battery packs.** *Use of any other battery packs may create a risk of injury and fire.*

- **When battery pack is not in use, keep it away from other metal objects like paper clips, coins, keys, nails, screws, or other small metal objects that can make a connection from one terminal to another.** *Shorting the battery terminals together may cause burns or fire.*
- **Under abusive conditions, liquid may be ejected from the battery; avoid contact. If contact accidentally occurs, flush with water. If liquid contacts eyes, additionally seek medical help.** *Liquid ejected from the battery may cause irritation or burns.*
- **Do not use a battery pack or tool that is damaged or modified.** *Damaged or modified batteries may exhibit unpredictable behavior resulting in fire, explosion or risk of injury.*
- **Do not expose a battery pack or tool to fire or excessive temperature.** *Exposure to fire or temperature above 130°C (265 °F) may cause explosion.*
- **Follow all charging instructions and do not charge the battery pack or tool outside the temperature range specified in the instructions.** *Charging improperly or at temperatures outside the specified range may damage the battery and increase the risk of fire.*

## 2.6 SERVICE

- **Have your power tool serviced by a qualified repair person using only identical replacement parts.** *This will ensure that the safety of the power tool is maintained.*
- **Never service damaged battery packs.** *Service of battery packs should only be performed by the manufacturer or authorized service providers.*

## 3 TACKER SAFETY WARNINGS

- **Always assume that the tool contains fasteners.** *Careless handling of the tacker can result in unexpected firing of fasteners and personal injury.*
- **Do not point the tool towards yourself or anyone nearby.** *Unexpected triggering will discharge the fastener causing an injury.*
- **Do not actuate the tool unless the tool is placed firmly against the workpiece.** *If the tool is not in contact with the workpiece, the fastener may be deflected away from your target.*
- **Disconnect the tool from the power source when the fastener jams in the tool** *While removing a jammed fastener, the tacker may be accidentally activated if it is plugged in.*
- **Use caution while removing a jammed fastener.** *The mechanism may be under compression and the fastener may be forcefully discharged while attempting to free a jammed condition.*
- **Do not use this tacker for fastening electrical cables.** *It is not designed for electric cable installation and may damage the insulation of electric cables thereby causing electric shock or fire hazards.*
- **Hold power tool by insulated gripping surfaces, when performing an operation where the nails may contact**





**hidden wiring.** Nails contacting a “live” wire may make exposed metal parts of the power tool “live” and could give the operator an electric shock.


- **Protect your hearing.** Wear hearing protection during extended periods of operation. Following this rule will reduce the risk of serious personal injury.
- **Always wear eye protection with side shields marked to comply with ANSI Z87.1.** Following this rule will reduce the risk of serious personal injury.
- **Protect your lungs.** Wear a face or dust mask if the operation is dusty. Following this rule will reduce the risk of serious personal injury.
- **Always remove the battery cartridge before loading the nails, adjustment, inspection, maintenance or after operation is over.**
- **Make sure no one is nearby before operation.** Never attempt to drive nails from both the inside and outside of wall at the same time. Nails may rip through and/or fly off, presenting a grave danger.
- **Watch your footing and maintain your balance with the tool.** Make sure there is no one below when working in high locations.
- **Check walls, ceilings, floors, roofing and the like carefully to avoid possible electrical shock, gas leakage, explosions, etc. caused by stapling into live wires, conduits or gas pipes.**
- **Use only nails specified in this manual.** The use of any other nails may cause malfunction of the tool.
- **Do not tamper with the tool or attempt to use it for other than driving nails.**
- **Do not operate the tool without nails.** It shortens the service life of the tool.
- **Stop driving operations immediately if you notice something wrong or out of the ordinary with the tool.**
- **Never nail into any materials which may allow the nails to puncture and fly through as a projectile.**
- **Never actuate the switch trigger and safety lever at the same time until you are prepared to nail workpieces.** Allow the workpiece to depress the safety lever. Never defeat its purpose by securing the safety lever back or by depressing it by hand.
- **Never tamper with the safety lever.** Check the safety lever frequently for proper operations.
- **Keep hands and feet away from the ejection port area.**
- **Use the tool only for its intended use.** Do not discharge nails into open air.
- **Do not use tool if trigger does not actuate properly.**
- **Any tool that cannot be controlled with the trigger is dangerous and must be repaired.**
- **Check operation of the workpiece contact mechanism frequently.** Do not use the tool if the workpiece contact mechanism is not working correctly as accidental driving of a nail may result. Do not interfere with the proper operation of the workpiece contact mechanism.
- **Do not use a tool that does not work correctly.**

- **During normal use the tool will recoil immediately after driving a nail.** This is a normal function of the tool. Do not attempt to prevent the recoil by holding the nailer against the work. Restriction to the recoil can result in a second nail being driven from the nailer. Grip the handle firmly, let the tool do the work and do not place second hand on top of tool or near exhaust at any time. Failure to heed this warning can result in serious personal injury.
- **Do not drive nails on top of other nailer or with the tool at an overly steep angle as this may cause deflection of nails which could cause injury.**
- **Battery tools do not have to be plugged into an electrical outlet; therefore, they are always in operating condition.** Be aware of possible hazards when not using your battery tool or when changing accessories. Following this rule will reduce the risk of electric shock, fire, or serious personal injury.
- **Do not crush, drop or damage battery pack. Do not use a battery pack or charger that has been dropped or received a sharp blow.** A damaged battery is subject to explosion. Properly dispose of a dropped or damaged battery immediately.
- **Do not place battery tools or their batteries near fire or heat.** This will reduce the risk of explosion and possibly injury. For more information about battery safety and operating instructions, please refer to the battery and charger instructions.
- **Save these instructions.** Refer to them frequently and use them to instruct others who may use this tool. If you loan someone this tool, loan them these instructions also.

## 4 SYMBOLS ON THE PRODUCT




Some of the following symbols may be used on this product. Please study them and learn their meaning. Proper interpretation of these symbols will allow you to operate the product better and safer.

Symbol	Explanation
V	Voltage
/min	Revolutions, strokes, surface speed, orbits etc., per minute
$n_0$	No load speed
	Direct current-Type or characteristic of current.
	Precautions that involve your safety.
	Read and understand all instructions before operating the product, and follow all warnings and safety instructions.
	Wear eye and ear protection.

Symbol	Explanation
	Keep hands and body away from the discharge area of the tool.

## 5 RISK LEVELS

The following signal words and meanings are intended to explain the levels of risk associated with this product.

SYM-BOL	SIGNAL	MEANING
	DANGER	Indicates an imminently hazardous situation, which, if not avoided, will result in death or serious injury.
	WARNING	Indicates a potentially hazardous situation, which, if not avoided, could result in death or serious injury.
	CAUTION	Indicates a potentially hazardous situation, which, if not avoided, may result in minor or moderate injury.
	CAUTION	(Without Safety Alert Symbol) Indicates a situation that may result in property damage.

## 6 ENVIRONMENTALLY SAFE BATTERY DISPOSAL



The toxic and corrosive materials below are in the batteries used in this machine: **Lithium-ion, a toxic material.**

### ▲ WARNING

Discard all toxic materials in a specified manner to prevent contamination of the environment. Before discarding damaged or worn out Li-ion battery, contact your local waste disposal agency, or the local Environmental Protection Agency for information and specific instructions. Take the batteries to a local recycling and/or disposal center, certified for lithium-ion disposal.

### ▲ WARNING

If the battery pack cracks or breaks, with or without leaks, do not recharge it and do not use. Discard it and replace with a new battery pack. **DO NOT TRY TO REPAIR IT!** To prevent injury and risk of fire, explosion, or electric shock, and to avoid damage to the environment:

- Cover the terminals of the battery with heavy-duty adhesive tape.
- **DO NOT** try to remove or destroy any of the battery pack components.
- **DO NOT** try to open the battery pack.
- If a leak develops, the released electrolytes are corrosive and toxic. **DO NOT** get the solution in the eyes or on skin, and do not swallow it.
- **DO NOT** put these batteries in your regular household trash.
- **DO NOT** incinerate.
- **DO NOT** put them where they will become part of any waste landfill or municipal solid waste stream.
- Take them to a certified recycling or disposal center.

## 7 PROPOSITION 65

### ▲ WARNING

This product contains a chemical known to the state of California to cause cancer, birth defects or other reproductive harm. Some dust created by power sanding, sawing, grinding, drilling, and other construction activities contains chemicals known to cause cancer, birth defects or other reproductive harm. Some examples of these chemicals are:

- Lead from lead-based paints;
- Crystalline silica from bricks and cement and other masonry products;
- Arsenic and chromium from chemically treated lumber.

Your risk of exposure to these chemicals varies depending on how often you do this type of work. To reduce your exposure to these chemicals, work in a well-ventilated area, and work with approved safety equipment, such as dust masks that are specially designed to filter out microscopic particles.

Save these instructions.

## 8 INSTALLATION

### 8.1 UNPACK THE MACHINE

### ▲ WARNING

Make sure that you correctly assemble the machine before use.

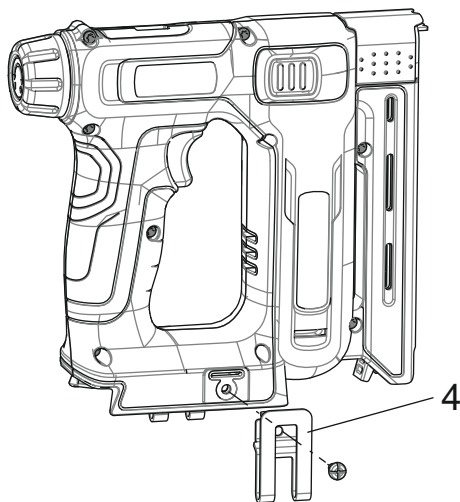
**▲ WARNING**

- If parts of the machine are damaged, do not use the machine.
- If you do not have all the parts, do not operate the machine.
- If parts are damaged or missing, contact the service center.

1. Open the package.
2. Read the documentation provided in the box.
3. Remove all the unassembled parts from the box.
4. Remove the machine from the box.
5. Discard the box and packing material in compliance with local regulations.

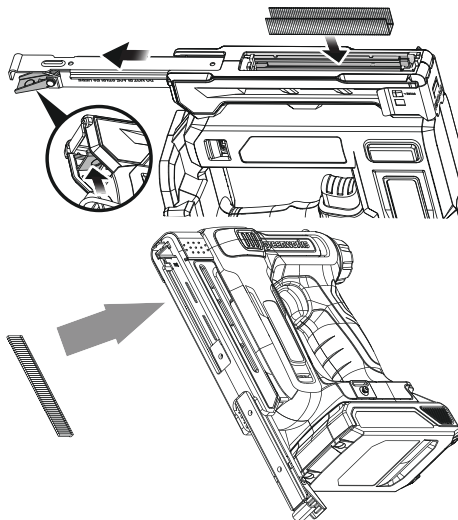
**▲ WARNING**

For your personal safety, do not insert battery before the tool is assembled completely.

**8.2 INSTALL BELT CLIP****i NOTE**

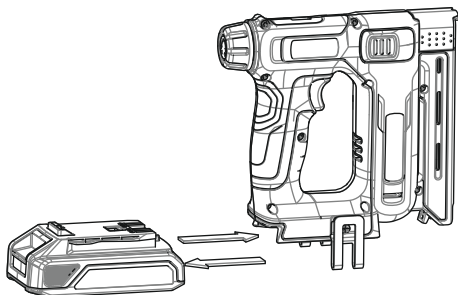
The belt clip may be installed on either side of the housing.

1. Remove the battery pack from the machine.
2. Align the belt clip with the hole on the stapler.
3. Tighten the screw.

**8.3 LOAD STAPLES****i NOTE**

Remove the battery pack.

1. Hold the tool upside down. Squeeze the magazine latch and slide the magazine open.
2. Insert the staples into the channel with the crown side down and the legs facing upward.
3. To close the magazine, push it into the tool until it clicks.
4. An indicator window on the side of the tool lets the operator know when the tool is running low on staples.

**8.4 INSTALL THE BATTERY PACK**



**▲ WARNING**

- If the battery pack or charger is damaged, replace the battery pack or the charger.
- Stop the machine and wait until the motor stops before you install or remove the battery pack.
- Read and understand the instructions in the battery and charger manual.

1. Align the lift ribs on the battery pack with the grooves in the battery compartment.
2. Push the battery pack into the battery compartment until the battery pack locks into place.
3. When you hear a click, the battery pack is installed.

**8.5 REMOVE THE BATTERY PACK**

1. Push and hold the battery release button.
2. Remove the battery pack from the machine.

**9 OPERATION****i IMPORTANT**

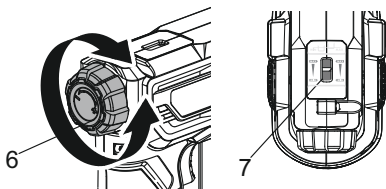
Before you operate the machine, read and understand the safety regulations and the operation instructions.

**▲ WARNING**

Be careful when you operate the machine.

**10 OPERATION****▲ WARNING**

Do not use any attachments or accessories not recommended by the manufacturer of this product.

**10.1 ADJUST THE STAPLE DEPTH**

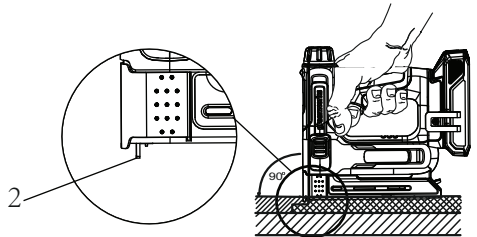
The depth adjustment knob increases or decreases the force with which a staple is driven into the workpiece. The drive force indicator, located on top of the tool, will show the force at which the staple will enter the workpiece. Harder materials will require greater drive force.

1. Remove the battery pack.
2. Rotate the depth adjustment knob clockwise to increase the drive force.

3. To test for desired depth, use a scrap piece of the same material you will be using for your project.

**i NOTE**

Always keep your fingers away from the discharge area of the tool when driving a staple and when using the accessory to install screen or wire. Failure to keep fingers out of the way can result in serious personal injury.

**10.2 DRIVING A STAPLE**

1. Hold the handle firmly with the nose of the tool flat against the workpiece at a 90° angle.
2. Press the activation foot of the stapler down against the workpiece. The activation foot must be depressed before pulling the switch trigger.
3. The tool will drive another staple each time the trigger is depressed as long as the activation foot is depressed.

**10.3 WIRE AND SCREEN ACCESSORY**

The wire and screen accessory included with the stapler is useful for attaching screen or wire to a wood frame or workpiece. One accessory edge is used for fencing wire, while the other edge is for attaching screen.

Drive a test staple in a scrap piece of the same material you will be using for your project to test for desired drive force.

To install the accessory: Remove the battery pack and select the desired application; Turn the selected edge toward the nose of the tool; Slide the accessory over the nose of the tool until it fits into place over the tab on each side of the tool.

**11 MAINTENANCE****▲ CAUTION**

Do not let brake fluids, gasoline, petroleum-based materials touch the plastic parts. Chemicals can cause damage to the plastic, and make the plastic unserviceable.

**▲ CAUTION**

Do not use strong solvents or detergents on the plastic housing or components.

**▲ WARNING**

Remove the battery pack from the machine before maintenance.

**11.1 REMOVE A JAMMED STAPLE**

1. If there is a jammed staple in the tool, you must remove it before further use. Attempting to drive a staple while the tool is jammed could damage the mechanism.
2. Remove the battery pack.
3. Hold the tool upside down. Squeeze the magazine latch and slide the magazine open.
4. Remove unused staples.
5. Remove the jammed staple with needle-nose pliers.

**12 TECHNICAL DATA**

Voltage	24 V
Staple speed	60 staples/min
Staple type	18 GA / T-50
Magazine capacity	U-Type 85 staples / T-Type 85 staples
Staple crown size	3/8"
Staple length	U-Type 6-14 mm / T-Type 15mm
Weight (without battery pack)	2.98 lbs (1.35 kg)
Battery model	LB24A020/BAG708 and other BAG series
Charger model	2978602/2903102 and other CAG series

**13 LIMITED WARRANTY**

Greenworks hereby warrants this product, to the original purchaser with proof of purchase, for a period of three (3) years against defects in materials, parts or workmanship. Greenworks, at its own discretion, will repair or replace any and all parts found to be defective, through normal use, free of charge to the customer. This warranty is valid only for units which have been used for personal use that have not been purchased or rented for industrial/commercial use, and that have been maintained in accordance with the instructions in the owners' manual supplied with the product when new.

**ITEMS NOT COVERED BY WARRANTY:**

1. Any part that has become inoperative due to misuse, commercial use, abuse, neglect, accident, improper maintenance, or alteration; or
2. The unit, if it has not been operated and/or maintained in accordance with the owner's manual; or
3. Normal wear;
4. Routine maintenance items such as lubricants, blade sharpening;
5. Normal deterioration of the exterior finish due to use or exposure.

**HELPLINE:**

Warranty service is available by calling our toll-free helpline at 1-888-909-6757.

**TRANSPORTATION CHARGES:**

Transportation charges for the movement of any power equipment unit or attachment are the responsibility of the purchaser. It is the purchaser's responsibility to pay transportation charges for any part submitted for replacement under this warranty unless such return is requested in writing by Greenworks.

**USA address:**

Greenworks Tools  
P.O. Box 1238  
Mooresville, NC 28115

**Canadian address:**

Greenworks Tools Canada, Inc.  
P.O. Box 93095, Newmarket,  
Ontario  
L3Y 8K3

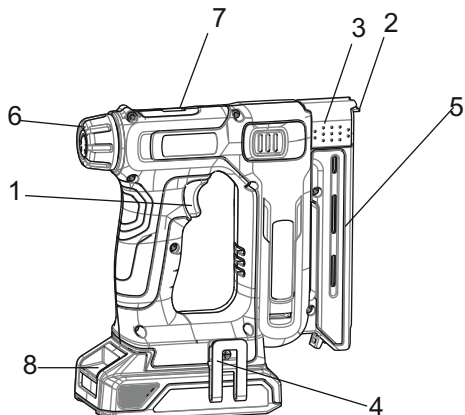
<b>1</b>	<b>Description.....</b>	<b>12</b>	<b>7</b>	<b>Proposition 65.....</b>	<b>16</b>
1.1	But.....	12	<b>8</b>	<b>Installation.....</b>	<b>16</b>
1.2	Aperçu.....	12	8.1	Déballer la machine.....	16
1.3	Liste du contenu de l'emballage.....	12	8.2	Installer le clip de ceinture.....	17
<b>2</b>	<b>Avertissements généraux de</b>		8.3	Charger les agrafes.....	17
	<b>sécurité des outils électriques.....</b>	<b>12</b>	8.4	Installer le bloc-batterie.....	17
2.1	Sécurité de la zone de travail.....	12	8.5	Retirez le bloc-batterie.....	17
2.2	Sécurité électrique.....	12	<b>9</b>	<b>Utilisation.....</b>	<b>17</b>
2.3	Sécurités des personnes.....	12	<b>10</b>	<b>Utilisation.....</b>	<b>18</b>
2.4	Utilisation et entretien des outils électriques... 13		10.1	Régler la profondeur des agrafes.....	18
2.5	Utilisation et entretien de l'outil à batterie..... 13		10.2	Enfoncer une agrafe.....	18
2.6	Service.....	14	10.3	Accessoire fil et écran.....	18
<b>3</b>	<b>Avertissements de sécurité pour</b>		<b>11</b>	<b>Entretien.....</b>	<b>18</b>
	<b>l'agrafeuse.....</b>	<b>14</b>	11.1	Retirer une agrafe coincée.....	18
<b>4</b>	<b>Symboles figurant sur la machine.</b>	<b>15</b>	<b>12</b>	<b>Données techniques.....</b>	<b>18</b>
<b>5</b>	<b>Niveaux de risques.....</b>	<b>15</b>	<b>13</b>	<b>Garantie limitée.....</b>	<b>19</b>
<b>6</b>	<b>Élimination des batteries sans</b>				
	<b>danger pour l'environnement.....</b>	<b>15</b>			

## 1 DESCRIPTION

### 1.1 BUT

Vous pouvez utiliser ce produit aux fins indiquées ci-dessous : Enfoncer des agrafes dans le bois; à l'aide de l'accessoire fourni, enfoncer des agrafes pour fixer le fil de clôture et le grillage.

### 1.2 APERÇU



- |                                   |   |
|-----------------------------------|---|
| 1 Interrupteur à gâchette         | 7 Indicateur de la force d'entraînement |
| 2 Pied d'activation               | 8 Bouton d'éjection de la batterie      |
| 3 Accessoire fil et écran         |   |
| 4 Pince de ceinture               |   |
| 5 Chargeur                        |   |
| 6 Bouton de réglage de profondeur |   |

### 1.3 LISTE DU CONTENU DE L'EMBALLAGE

- |                        |                       |
|------------------------|-----------------------|
| 1 Agrafeuse à couronne | 3 T-Type (500 pièces) |
| 2 Manuel               | 4 U-Type (500 pièces) |

## 2 AVERTISSEMENTS GÉNÉRAUX DE SÉCURITÉ DES OUTILS ÉLECTRIQUES

### ▲ AVERTISSEMENT

Lisez tous les avertissements de sécurité et toutes les instructions. Le non-respect de ces avertissements et de ces instructions peut entraîner un choc électrique, un incendie et/ou des blessures graves.

Conservez tous les avertissements et instructions pour référence ultérieure.

Le terme « outil électrique » dans les avertissements se réfère à votre outil électrique alimenté (avec fil) ou à votre outil électrique (sans fil) fonctionnant sur batterie.

### 2.1 SÉCURITÉ DE LA ZONE DE TRAVAIL

- Gardez la zone de travail propre et bien éclairée. Les endroits encombrés ou sombres favorisent les accidents.
- N'utilisez pas les outils électriques dans des environnements explosifs, par exemple en présence de liquides, gaz ou poussières inflammables. La mise en marche des outils électriques crée des étincelles qui peuvent enflammer la poussière ou les vapeurs.
- Tenez les enfants et les curieux à l'écart lorsque vous utilisez un outil électrique. Les distractions peuvent vous faire perdre le contrôle.

### 2.2 SÉCURITÉ ÉLECTRIQUE

- Les prises de l'outil électrique doivent être compatibles avec la prise de courant. Ne modifiez jamais la prise d'aucune façon. N'utilisez pas d'adaptateur de prise avec des outils à prise de terre. Des prises non modifiées et leurs prises de courant respectives réduisent les risques de choc électrique.
- Évitez que le corps n'entre en contact avec des surfaces mises à la terre comme les tuyaux, les radiateurs, les cuisinières et les réfrigérateurs. Il y a un risque accru de choc électrique si votre corps est en contact avec la terre.
- N'exposez pas les outils électriques à des conditions humides ou mouillées. L'eau qui pénètre dans un outil électrique augmente le risque de choc électrique.
- N'abusez pas du cordon. N'utilisez jamais le câble pour porter, tirer ou débrancher l'outil. Éloignez le cordon de la chaleur, de l'huile, des bords tranchants ou des pièces mobiles. Les cordons endommagés augmentent le risque d'un choc électrique.
- Lorsque vous utilisez un outil électrique en extérieur, utilisez une rallonge de câble adaptée à l'usage en extérieur. Utiliser un câble adapté à un usage en extérieur réduit le risque de choc électrique.
- Si vous ne pouvez éviter d'utiliser l'outil dans un environnement humide, utilisez une alimentation protégée à courant différentiel. Le respect de cette règle réduira le risque de chocs électriques.

### 2.3 SÉCURITÉS DES PERSONNES

- Restez vigilant, soyez attentif à ce que vous faites et faites preuve de bon sens lorsque vous utilisez un outil électrique. N'utilisez pas l'appareil lorsque vous êtes fatigué, sous l'emprise de l'alcool ou de drogues ou après avoir pris des médicaments. Un moment d'inattention lors de l'utilisation d'un outil électrique peut provoquer des blessures corporelles graves.
- Utilisez de l'équipement de protection individuelle. Portez toujours des lunettes de protection. L'utilisation

*d'équipement de protection adapté aux conditions masque antipoussière, chaussures de sécurité antidérapantes, casque et protections auditives, etc. permet de réduire les risques de blessures corporelles.*

- **Évitez tout démarrage accidentel. Assurez-vous que l'interrupteur soit en position d'arrêt avant de brancher l'outil à la source d'alimentation ou à la batterie et quand vous soulevez ou transportez l'outil.** *Transporter un outil électrique avec un doigt sur l'interrupteur ou le brancher sur une alimentation électrique alors que son interrupteur est en position marche favorise les accidents.*
- **Retirez les clefs de réglage et de serrage avant de mettre l'outil en marche.** *Une clef de réglage ou de serrage restée sur une pièce en rotation de l'outil électrique peut entraîner des blessures corporelles.*
- **Ne vous penchez pas trop en avant. Gardez un bon équilibre en tout temps.** *Ceci permet un meilleur contrôle de l'outil électrique dans des situations inattendues.*
- **Habillez-vous correctement. Ne portez pas de vêtements amples ou de bijoux.** *Veillez à ne pas approcher vos cheveux, vos vêtements et vos gants des pièces en mouvement. Les vêtements amples, les bijoux et les cheveux longs peuvent se prendre dans les pièces en mouvement.*
- **Si un appareil est conçu pour être utilisé avec des dispositifs d'extraction et de récupération des poussières, veillez à ce que ces dispositifs soient bien raccordés et correctement utilisés.** *L'utilisation de dispositifs de récupération des poussières permet de réduire les risques liés aux poussières.*
- **Ne laissez pas l'habitude des fréquentes utilisations vous faire oublier et ignorer les principes de sécurité.** *Une action négligente peut provoquer de graves blessures en une fraction de seconde.*

## 2.4 UTILISATION ET ENTRETIEN DES OUTILS ÉLECTRIQUES

- **Ne forcez pas l'outil électrique. Utilisez l'outil électrique adapté à votre application.** *L'outil électrique approprié fera mieux le travail et sera plus sécuritaire au rythme pour lequel il a été conçu.*
- **N'utilisez pas l'outil électrique si l'interrupteur ne le met pas en marche ou à l'arrêt.** *Tout outil électrique qui ne peut pas être contrôlé avec l'interrupteur est dangereux et doit être réparé.*
- **Débranchez la prise de la source d'alimentation et/ou de la batterie avant d'effectuer des réglages, de changer des accessoires ou de ranger l'outil électrique.** *De telles mesures de sécurité préventives réduisent le risque d'un démarrage accidentel de l'outil électrique*
- **Rangez les outils électriques inutilisés hors de portée des enfants et ne laissez pas des personnes qui ne se sont pas familiarisées avec l'outil électrique ou ces instructions l'utiliser.** *Les outils électriques sont dangereux entre les mains des utilisateurs non formés.*

- **Entretenez les outils électriques.** *Vérifiez le désalignement des pièces mobiles ou la fixation des pièces mobiles, la cassure des pièces et toute autre condition qui pourrait affecter le fonctionnement de l'outil électrique. S'il est endommagé, faites réparer l'outil électrique avant de l'utiliser. De nombreux accidents sont causés par des outils électriques mal entretenus.*
- **Gardez les outils de coupe propres et tranchants.** *Les outils de coupe bien entretenus avec des bords tranchants sont moins susceptibles de se coincer et sont plus faciles à contrôler.*
- **Utilisez l'outil électrique, les accessoires, les mèches, etc. conformément à ces instructions, en tenant compte des conditions de travail et des travaux à effectuer.** *L'utilisation de l'outil motorisé pour des opérations différentes de celles prévues pourrait entraîner une situation dangereuse.*
- **Veillez à ce que les poignées restent propres, sèches et exemptes d'huile et de graisse.** *Les poignées et surfaces de prise glissantes ne permettent pas de manipuler et de contrôler l'outil dans des situations inattendues.*

## 2.5 UTILISATION ET ENTRETIEN DE L'OUTIL À BATTERIE

- **Rechargez uniquement avec le chargeur spécifié par le fabricant.** *Un chargeur adapté à un type de bloc-batterie peut créer un risque d'incendie lorsqu'il est utilisé avec un autre bloc-batterie.*
- **Utilisez les outils électriques uniquement avec des batteries spécialement conçues à cet effet.** *L'utilisation de tous autres bloc-batteries peut créer un risque de blessure et d'incendie.*
- **Lorsque la batterie n'est pas utilisée, éloignez-la des autres objets métalliques tels qu'attaches trombones, pièces de monnaie, clés, clous, vis ou autres petits objets métalliques qui peuvent établir une connexion d'une borne à une autre.** *Le court-circuitage des bornes de la batterie peut provoquer des brûlures ou un incendie.*
- **Dans des conditions abusives, du liquide peut être éjecté de la batterie; évitez tout contact.** *En cas de contact accidentel, rincez avec de l'eau. En cas de contact avec les yeux, consultez également un médecin. Le liquide s'échappant des batteries peut causer des irritations ou des brûlures.*
- **N'utilisez pas un bloc-batterie ou un outil endommagé ou modifié.** *Les batteries endommagées ou modifiées peuvent présenter un fonctionnement imprévisible et provoquer un incendie, une explosion ou un risque de blessure.*
- **N'exposez pas un bloc-batterie ou un outil au feu ou à une température excessive.** *L'exposition au feu ou une température supérieure à 130 °C (265 °F) peut provoquer une explosion.*
- **Suivez toutes les instructions de recharge et ne rechargez pas la batterie ou l'outil en dehors de la plage de température spécifiée dans ces instructions.** *Un rechargement incorrect ou à des températures en*

dehors de la plage spécifiée peut endommager la batterie et augmenter le risque d'incendie.

## 2.6 SERVICE

- **Faites effectuer l'entretien de votre outil électrique par un réparateur qualifié en n'utilisant que des pièces de rechange identiques.** Cela garantira le maintien de la sécurité de l'outil électrique.
- **Ne réparez jamais un bloc-batterie endommagé.** L'entretien d'un bloc-batterie ne doit être effectué que par le fabricant ou des fournisseurs de service agréés.

## 3 AVERTISSEMENTS DE SÉCURITÉ POUR L'AGRAFEUSE

- **Partez toujours du principe que l'outil contient des attaches.** Une manipulation imprudente de l'agrafeuse peut entraîner un déclenchement inattendu des attaches et des blessures corporelles.
- **Ne dirigez pas l'outil vers vous ou vers quelqu'un à proximité.** Un déclenchement inattendu déchargera l'attache causant une blessure.
- **N'actionnez pas l'outil à moins que l'outil ne soit fermement placé contre la pièce à travailler.** Si l'outil n'est pas en contact avec la pièce, l'agrafeuse peut être déviée loin de votre cible.
- **Débranchez l'outil de la source d'alimentation lorsque l'attache se coince dans l'outil** Pendant le retrait d'une attache coincée, l'agrafeuse peut être activée accidentellement si elle est branchée.
- **Soyez prudent lorsque vous retirez une attache coincée.** Le mécanisme peut être sous compression et l'agrafeuse peut être déchargée avec force tout en essayant de libérer un état bloqué.
- **N'utilisez pas cette agrafeuse pour fixer des câbles électriques.** Il n'est pas conçu pour l'installation de câbles électriques et peut endommager l'isolation des câbles électriques, provoquant ainsi des risques d'électrocution ou d'incendie.
- **Maintenez l'outil électrique par ses surfaces isolées lorsque vous accomplissez une tâche où le clou pourrait entrer en contact avec un câblage invisible.** Les clous en contact avec un câble sous tension peuvent exposer des parties métalliques de l'outil et pourraient causer un choc électrique.
- **Protégez vos oreilles.** Portez un dispositif de protection anti-bruit pendant les périodes d'utilisation prolongées. Le respect de cette règle réduira le risque de vous blesser gravement.
- **Portez toujours des lunettes de protection avec des écrans latéraux marqués conformes à la norme ANSI Z87.1.** Le respect de cette règle réduira le risque de vous blesser gravement.
- **Protégez vos poumons.** Utilisez un masque facial ou un masque anti-poussière si l'opération est

poussiéreuse. Le respect de cette règle réduira le risque de vous blesser gravement.

- **Retirez toujours la batterie avant de charger les clous de procéder au réglage, à l'inspection, à l'entretien ou à la fin de l'opération.**
- **Assurez-vous que personne n'est à proximité avant l'opération.** N'essayez jamais d'enfoncer les clous de l'intérieur et de l'extérieur du mur en même temps. Les clous peuvent se déchirer et/ou s'envoler, présentant un grave danger.
- **Surveillez votre appui et maintenez votre équilibre avec l'outil.** Assurez-vous qu'il n'y a personne en dessous lorsque vous travaillez dans des endroits élevés.
- **Vérifiez soigneusement les murs, plafonds, sols, toitures et autres pour éviter tout risque de choc électrique, de fuite de gaz, d'explosion, etc. causé par l'agrafage dans des fils sous tension, des conduits ou des conduites de gaz.**
- **Utilisez uniquement les clous spécifiés dans ce manuel.** L'utilisation de tout autre clou peut entraîner un dysfonctionnement de l'outil.
- **Ne pas altérer l'outil ou tenter de l'utiliser pour autre chose que le vissage de clous.**
- **N'utilisez pas l'outil sans clous.** Il raccourcit la durée de vie de l'outil.
- **Arrêtez immédiatement les opérations de conduite si vous remarquez quelque chose qui ne va pas ou qui sort de l'ordinaire avec l'outil.**
- **Ne jamais clous dans des matériaux qui pourraient permettre à aux clous de percer et de voler comme un projectile.**
- **Ne jamais appuyer en même temps sur la gâchette et le levier de sécurité avant d'être prêt à clouer des pièces.** Laissez la pièce enfoncer le levier de sécurité. Ne jamais contrecarrer son objectif en fixant le levier de sécurité en arrière ou en l'enfonçant à la main.
- **Ne modifiez jamais le levier de sécurité.** Vérifiez fréquemment le levier de sécurité pour un bon fonctionnement.
- **Gardez les mains et les pieds éloignés de la zone de l'orifice d'éjection.**
- **N'utilisez l'outil que pour l'usage auquel il est destiné.** Ne pas décharger les clous à l'air libre.
- **N'utilisez pas l'outil si la gâchette ne s'actionne pas correctement.**
- **Tout outil qui ne peut pas être contrôlé avec la gâchette est dangereux et doit être réparé.**
- **Vérifiez fréquemment le fonctionnement du mécanisme de contact de la pièce.** N'utilisez pas l'outil si le mécanisme de contact avec la pièce ne fonctionne pas correctement, car cela pourrait entraîner l'enfoncement accidentel d'un clou. Ne pas interférer avec le bon fonctionnement du mécanisme de contact de la pièce.
- **N'utilisez pas un outil qui ne fonctionne pas correctement.**