

greenworks

INF24B00
INF24B210

EN	INFLATOR	OPERATOR MANUAL
FR	DISPOSITIF DE GONFLAGE	MANUEL D'OPÉRATEUR
ES	INFLADOR	MANUAL DEL OPERADOR



PAG301

www.greenworkstools.com

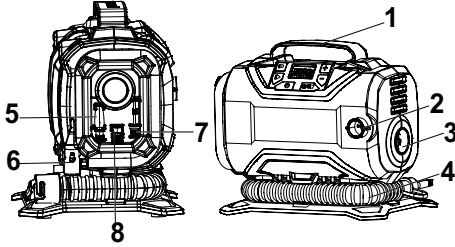
1	Description.....	4	8.1	Unpack the machine.....	6
1.1	Purpose.....	4	8.2	Install the battery pack.....	6
1.2	Overview.....	4	8.3	Remove the battery pack.....	7
1.3	Packing list.....	4	8.4	Select the mode.....	7
2	Important safety instructions.....	4	9	Operation.....	8
3	Electrical.....	5	9.1	Start the machine.....	8
4	Symbols on the product.....	5	9.2	Stop the machine.....	8
5	Proposition 65.....	5	10	Maintenance.....	8
6	Risk levels.....	5	10.1	Clean the machine.....	8
7	Environmentally safe battery disposal.....	6	11	Technical data.....	9
8	Installation.....	6	12	Troubleshooting.....	9
			13	Limited warranty.....	9
			14	Exploded view.....	10

1 DESCRIPTION

1.1 PURPOSE

The machine is intended for inflating air mattresses, toys, sport ball, tires, floats.

1.2 OVERVIEW



- | | |
|----------------------------|-----------------------------|
| 1 Carrying Handle | 5 Raft Nozzle |
| 2 Connector Port | 6 Air Hose (high pressure) |
| 3 Deflating Port | 7 Sports Needle |
| 4 Air Hose (low pressure) | 8 Presta Valve Adaptor |

1.3 PACKING LIST

Qty	Description
1	Inflator
1	Air Hose (low pressure)
1	Air Hose (high pressure)
1	Raft Nozzle
1	Sports Needle
1	Presta Valve Adaptor
1	12V Power Cord

2 IMPORTANT SAFETY INSTRUCTIONS

Read and understand all instructions before using this product. Failure to follow all instructions listed below may result in electric shock, fire, and/or serious personal injury.

- For household use only.
- Servicing of an inflator requires extreme care and knowledge of the system, and should be done only by qualified service personnel. Replacement parts for an inflator must be identical to those parts in the inflator.
- Store inflator indoors when not in use.
- Keep out of reach of children.
- Do not clean this inflator with a water spray or the like. Follow manufacturers cleaning instructions.
- Disconnect the battery pack from the inflator before making any adjustments, changing accessories, or storing inflators, etc.
- Store idle inflators out of the reach of children and do not allow persons unfamiliar with the inflator or these instructions to operate the inflator. Inflators are dangerous in the hands of untrained users.
- Have your inflator serviced by a qualified repair person using only identical replacement parts. This will ensure that the safety of the inflator is maintained.
- Battery disposal should be in compliance with the local regulations that address the disposal of hazardous materials, and do not incinerate battery pack.
- Keep your work area clean and well lit. Cluttered benches and dark areas increase the possibility of personal injury or property damage.
- Do not operate inflators in explosive atmospheres, such as in the presence of flammable liquids, gases or dust.
- Keep bystanders, children and visitors away while operating a inflator. Distractions can cause you to lose control.
- For best results and more efficient power, it is recommended that you operate your inflator with your vehicle's engine running, making absolutely sure you are outside or in an open, well-ventilated area and not inside a confined area such as a garage as bodily injury or asphyxiation resulting in death could occur.
- This inflator is designed to inflate car tires, bike tires, ATV tires, sports equipment, air mattresses, beach toys and other inflatables. Do not use for any purpose other than inflating. If you do so, bodily harm or personal injury can occur.
- Allow inflator to cool down 10 minutes after each 10 minutes of continuous operation.
- Do not carry inflator by the air hose as damage may occur.
- Do not leave the inflator unattended while in operation.
- Do not overinflate. Please follow the manufacturer's instructions for the item you are inflating.
- Keep the inflator away from flammable areas/liquids at all times.
- Do not operate the inflator in wet or damp areas.
- Operate the inflator only with the attachments that are included.
- Use safety glasses. Also use a face or dust mask if operation is dusty.
- This inflator is not designed to fill air tanks or air shocks
- Make sure that your vehicle 12 volt power outlet is free of any ash residue or debris. A dirty 12 volt power outlet can cause the inflator and power cord to overheat. Overheating can cause damage to your inflator/vehicle and could cause bodily harm or injury. Disconnect power when not in use.
- It is recommended that your vehicle's 12 volt battery be fully charged to get the best performance.
- Verify that the inflator is secure while transporting.




- Store the inflator in a dry area that will prevent unauthorized use or damage. Keep out of the reach of children.
- Keep handles dry, clean, and free of debris. Clean the inflator after each use. Refer to the Maintenance Section in this manual for more information.
- Keep these instructions in a safe place for future reference. Refer to them often and use them to instruct other users. Anyone who uses this inflator must read these instructions carefully.

3 ELECTRICAL

- Prevent unintentional starting. Ensure the switch is in the off-position before connecting to battery pack, picking up or carrying the equipment. Carrying the equipment with your finger on the switch or energizing equipment that have the switch on invites accidents.
- Disconnect the battery pack from the equipment before making any adjustments, changing accessories, or storing equipment. Such preventive safety measures reduce the risk of starting the equipment accidentally.
- Recharge only with the charger specified by the manufacturer. A charger that is suitable for one type of battery pack may create a risk of fire when used with another battery pack.
- Use equipment only with specifically designated battery packs. Use of any other battery packs may create a risk of injury and fire.
- When battery pack is not in use, keep it away from other metal objects like paper clips, coins, keys, nails, screws or other small metal objects that can make a connection from one terminal to another.
- Shorting the battery terminals together may cause burns or a fire.
- Under abusive conditions, liquid may be ejected from the battery; avoid contact. If contact accidentally occurs, flush with water. If liquid contacts eyes, additionally seek medical help. Liquid ejected from the battery may cause irritation or burns.
- Do not use a battery pack or equipment that is damaged or modified. Damaged or modified batteries may exhibit unpredictable behavior resulting in fire, explosion or risk of injury.
- Do not expose a battery pack or equipment to fire or excessive temperature. Exposure to fire or temperature above 265°F (130°C) may cause an explosion.
- Have servicing performed by a qualified repair person using only identical replacement parts. This will ensure that the safety of the product is maintained.
- Follow all charging instructions and do not charge the battery pack or appliance outside of the temperature range specified in the instructions. Charging improperly or at temperatures outside of the specified range may damage the battery and increase the risk of fire.
- Do not modify or attempt to repair the appliance or the battery pack except as indicated in the instructions for use and care.

4 SYMBOLS ON THE PRODUCT

Some of the following symbols may be used on this tool. Please study them and learn their meaning. Proper interpretation of these symbols will allow you to operate the tool better and safer.

Symbol	Explanation
V	Voltage
A	Current
W	Power
min	Time
min ⁻¹	Revolutions, strokes, surface speed, orbits etc., per minute
	Direct current
	Read and understand all instructions before operating the product, and follow all warnings and safety instructions.
	Do not expose the product to rain or moist conditions.

5 PROPOSITION 65

▲ WARNING

This product contains a chemical known to the state of California to cause cancer, birth defects or other reproductive harm. Some dust created by power sanding, sawing, grinding, drilling, and other construction activities contains chemicals known to cause cancer, birth defects or other reproductive harm. Some examples of these chemicals are:




- Lead from lead-based paints;
- Crystalline silica from bricks and cement and other masonry products;
- Arsenic and chromium from chemically treated lumber.

Your risk of exposure to these chemicals varies depending on how often you do this type of work. To reduce your exposure to these chemicals, work in a well-ventilated area, and work with approved safety equipment, such as dust masks that are specially designed to filter out microscopic particles.

Save these instructions.

6 RISK LEVELS

The following signal words and meanings are intended to explain the levels of risk associated with this product.

SYMBOL	SIGNAL	MEANING
	DANGER	Indicates an imminently hazardous situation, which, if not avoided, will result in death or serious injury.
	WARNING	Indicates a potentially hazardous situation, which, if not avoided, could result in death or serious injury.
	CAUTION	Indicates a potentially hazardous situation, which, if not avoided, may result in minor or moderate injury.
	CAUTION	(Without Safety Alert Symbol) Indicates a situation that may result in property damage.

7 ENVIRONMENTALLY SAFE BATTERY DISPOSAL



The toxic and corrosive materials below are in the batteries used in this machine: **Lithium-Ion, a toxic material.**

▲ WARNING

Discard all toxic materials in a specified manner to prevent contamination of the environment. Before discarding damaged or worn out Li-ion battery, contact your local waste disposal agency, or the local Environmental Protection Agency for information and specific instructions. Take the batteries to a local recycling and/or disposal center, certified for lithium-ion disposal.

▲ WARNING

If the battery pack cracks or breaks, with or without leaks, do not recharge it and do not use. Discard it and replace with a new battery pack. **DO NOT TRY TO REPAIR IT!** To prevent injury and risk of fire, explosion, or electric shock, and to avoid damage to the environment:

- Cover the terminals of the battery with heavy-duty adhesive tape.
- **DO NOT** try to remove or destroy any of the battery pack components.
- **DO NOT** try to open the battery pack.
- If a leak develops, the released electrolytes are corrosive and toxic. **DO NOT** get the solution in the eyes or on skin, and do not swallow it.
- **DO NOT** put these batteries in your regular household trash.
- **DO NOT** incinerate.
- **DO NOT** put them where they will become part of any waste landfill or municipal solid waste stream.
- Take them to a certified recycling or disposal center.

8 INSTALLATION

8.1 UNPACK THE MACHINE

▲ WARNING

Make sure that you correctly assemble the machine before use.

▲ WARNING

- If parts of the machine are damaged, do not use the machine.
- If you do not have all the parts, do not operate the machine.
- If parts are damaged or missing, contact the service center.

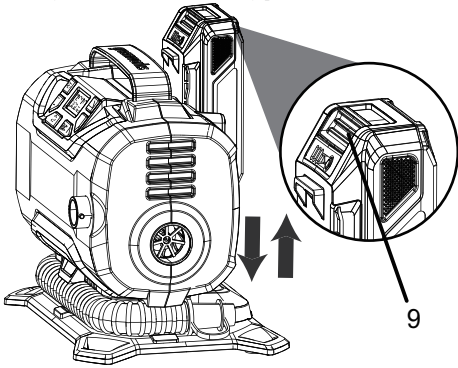
1. Open the package.
2. Read the documentation provided in the box.
3. Remove all the unassembled parts from the box.
4. Remove the machine from the box.
5. Discard the box and packing material in compliance with local regulations.

8.2 INSTALL THE BATTERY PACK

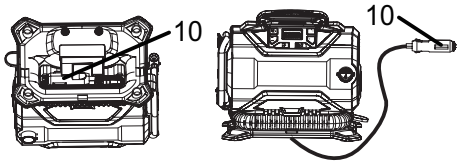
▲ WARNING

- If the battery pack or charger is damaged, replace the battery pack or the charger.
- Stop the machine and wait until the motor stops before you install or remove the battery pack.
- Read, know, and do the instructions in the battery and charger manual.

1. Align the lift ribs on the battery pack with the grooves in the battery compartment.
2. Push the battery pack into the battery compartment until the battery pack locks into place.
3. When you hear a click, the battery pack is installed.

**i TIP**

This machine can also connect to the 12V power outlet directly. Insert the 12V power cord (10) into the 12V power outlet, this will automatically provide continuous 12V current to your inflator.

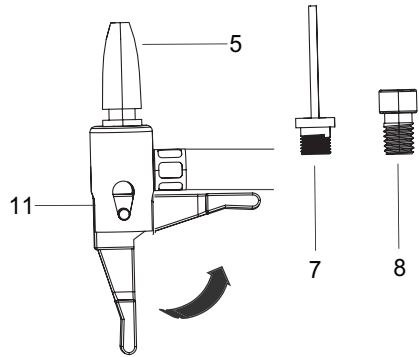
**8.3 REMOVE THE BATTERY PACK**

1. Push and hold the battery release button.
2. Remove the battery pack from the machine.

8.4 SELECT THE MODE**High Pressure mode****i NOTE**

Choose the high pressure mode to start the inflator when you connect the air hose (high pressure) to the item.

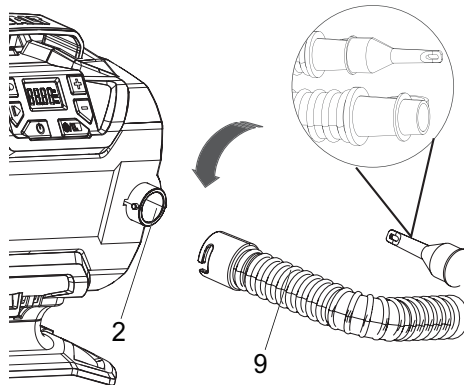
1. Connect the quick connect valve adaptor (11) to item you are inflating.
2. Push down the valve lock lever to secure the connection.

**Low Pressure Mode**

1. Insert low pressure air hose (9) to the connector port and rotate counterclockwise.
2. Use your desired nozzle to inflate the item.

i NOTE

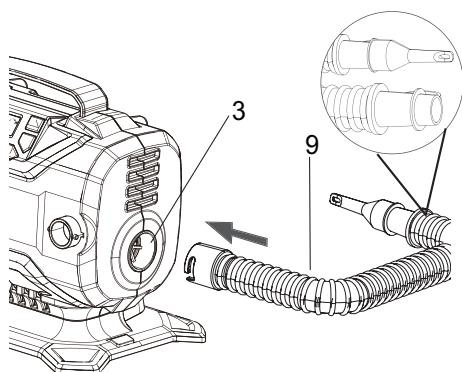
Choose the low pressure mode to start the inflator when you connect the air hose (low pressure) to the item.

**Deflating Mode**

1. To deflating item, insert low pressure air hose (9) to the air outlet (3).
2. Use your desired nozzle to deflate the item.

i NOTE

Set the inflator to low pressure mode to deflate.



9 OPERATION

▲ WARNING

Always wear eye protection.

▲ WARNING

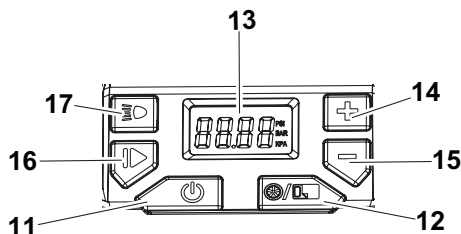
Do not use any attachments or accessories not recommended by the manufacturer of this product.

9.1 START THE MACHINE

▲ WARNING

Always avoid over-inflation and never leave the inflator unattended when in use.

1. Press the On/Off button (11).
2. Push the mode selection button (12) to choose high pressure or low pressure mode.
3. The digital pressure gauge (13) will display the current pressure (in 1 PSI increments) of the item you are inflating on the upper section of the LCD Screen.
4. Press button (14) to increase PSI, or press button (15) to decrease PSI.
5. To start the inflator, push the run/pause button (16).
6. To change the target PSI level, push the Run/ Pause button (16) again and the adjust level.
7. To stop the inflator before it reaches the target PSI level, push the run/pause button (16). To resume inflation, simply press the button again. Press the On/Off button (11) to turn the inflator off. The power automatically cycles off after five minutes of no activity.



i NOTE

- When you work under dim ambient, press the LED light button (17) to turn on the light.
- When the LCD readout screen is displaying the target PSI, the LCD readout will flash 3 times at the desired preset level.
- The pressure value of the low pressure mode is fixed and cannot be adjusted.
- The inflator will shut off automatically at the desired target PSI level that you have programmed into the target PSI setting.
- The inflator has a tolerance of -5 PSI and will automatically shut off accordingly.
- If the current pressure of the item you are inflating is greater than the target PSI, the inflator will not turn on.

9.2 STOP THE MACHINE

1. Release the trigger to turn the machine OFF.

▲ WARNING

Release the trigger and allow the machine to come to a complete stop.

10 MAINTENANCE

▲ WARNING

Remove the battery pack from the machine before maintenance.

▲ WARNING

Do not use strong solvents or detergents on the plastic housing or components.

10.1 CLEAN THE MACHINE

▲ CAUTION

The machine must be dry. Humidity can cause risks of electrical shocks.

- Clear the unwanted material out of the air vent with a vacuum cleaner.
- Do not spray the air vent or put the air vent in solvents.

- Clean the housing and the plastic components with a moist and soft cloth.

11 TECHNICAL DATA

Voltage	24 V
Working Pressure (max)	160 PSI
Weight Without Battery	4.34 lbs. (1.97 kg)
Air Hose (high pressure)	80 cm
Air Hose (low pressure)	42 cm
Battery Model	BAG708 and other BAG series
Charger Model	CAG801 and other CAG series

The recommended ambient temperature range:

Item	Temperature
Machine storage temperature range	32°F (0°C) - 113°F (45°C)
Machine operation temperature range	32°F (0°C) - 113°F (45°C)
Battery charging temperature range	39°F (4°C) - 104°F (40°C)
Charger operation temperature range	39°F (4°C) - 104°F (40°C)
Battery storage temperature range	32°F (0°C) - 113°F (45°C)
Battery discharging temperature range	32°F (0°C) - 113°F (45°C)

12 TROUBLESHOOTING

Problem	Possible cause	Solution
The inflator does not work.	The fan has stopped working to protect internal circuits.	Turn off the inflator, wait for the tool and battery to cool down, then and start the tool again.
	The battery pack is out of power.	Charge the battery pack.
The machine smokes during operation.	The machine has damage.	<ol style="list-style-type: none"> 1. Immediately stop the machine. 2. Remove the battery pack. 3. Contact the service center.

13 LIMITED WARRANTY



Greenworks hereby warrants this product, to the original purchaser with proof of purchase, for a period of three (3) years against defects in materials, parts or workmanship. Greenworks, at its own discretion, will repair or replace any and all parts found to be defective, through normal use, free of charge to the customer. This warranty is valid only for units which have been used for personal use that have not been purchased or rented for industrial/commercial use, and that have been maintained in accordance with the instructions in the owners' manual supplied with the product when new.

ITEMS NOT COVERED BY WARRANTY:

1. Any part that has become inoperative due to misuse, commercial use, abuse, neglect, accident, improper maintenance, or alteration; or
2. The unit, if it has not been operated and/or maintained in accordance with the owner's manual; or
3. Normal wear;
4. Routine maintenance items such as lubricants, blade sharpening;
5. Normal deterioration of the exterior finish due to use or exposure.

HELPLINE:

Warranty service is available by calling our toll-free helpline at 1-888-909-6757.

TRANSPORTATION CHARGES:

Transportation charges for the movement of any power equipment unit or attachment are the responsibility of the purchaser. It is the purchaser's responsibility to pay transportation charges for any part submitted for replacement under this warranty unless such return is requested in writing by Greenworks.

USA address:

Greenworks Tools
P.O. Box 1238

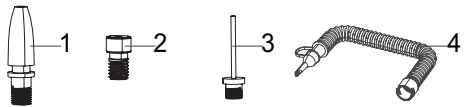
Mooresville, NC 28115

Canadian address:

Greenworks Tools Canada, Inc.
P.O. Box 93095, Newmarket,
Ontario

L3Y 8K3

14 EXPLODED VIEW



No	Part No.	Qty	Description
1	R0201948-00	1	Raft nozzle
2	R0201950-00	1	Presta valve adaptor
3	R0201949-00	1	Sports needle
4	R0201951-00	1	Air hose (low pressure)

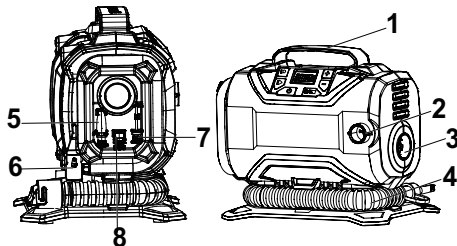
1	Description.....	12		8.1 Déballer la machine.....	15
1.1	But.....	12	8.2	Installer le bloc-batterie.....	15
1.2	Aperçu.....	12	8.3	Retirez la batterie.....	15
1.3	Liste du contenu de l'emballage.....	12	8.4	Sélectionnez le mode.....	15
2	Instructions importantes sur la		9	Utilisation.....	16
	sécurité.....	12	9.1	Démarrer la machine.....	16
3	Électrique.....	13	9.2	Arrêtez la machine.....	17
4	Symboles figurant sur la machine.	13	10	Entretien.....	17
5	Proposition 65.....	14	10.1	Nettoyez la machine.....	17
6	Niveaux de risques.....	14	11	Données techniques.....	17
7	Élimination des batteries sans		12	Dépannage.....	17
	danger pour l'environnement.....	14	13	Garantie limitée.....	18
8	Installation.....	15	14	Vue éclatée.....	18

1 DESCRIPTION

1.1 BUT

La machine est conçue pour gonfler les matelas pneumatiques, les jouets, les ballons de sport, les pneus et les flotteurs.

1.2 APERÇU



- | | | | |
|---|------------------------------|---|--------------------------------|
| 1 | Poignée de transport | 6 | Tuyau d'air (haute pression) |
| 2 | Prise de branchement | 7 | Aiguille pour ballons de sport |
| 3 | Prise de dégonflage | 8 | Adaptateur de valve Presta |
| 4 | Tuyau d'air (basse pression) | | |
| 5 | Buse pour radeau | | |

1.3 LISTE DU CONTENU DE L'EMBALLAGE

Qté	Description
1	Dispositif de gonflage
1	Tuyau d'air (basse pression)
1	Tuyau d'air (haute pression)
1	Buse pour radeau
1	Aiguille pour ballons de sport
1	Adaptateur de valve Presta
1	Cordon d'alimentation 12 V

2 INSTRUCTIONS IMPORTANTES SUR LA SÉCURITÉ

Lisez et comprenez toutes les instructions avant d'utiliser ce produit. Le non-respect de ces avertissements et de ces instructions peut entraîner un choc électrique, un incendie et/ou des blessures graves.

- Pour un usage ménager seulement.
- L'entretien d'un dispositif de gonflage exige un soin extrême et une bonne connaissance du système, et ne doit être effectué que par un technicien qualifié. Les pièces de

rechange d'un dispositif de gonflage doivent être identiques à celles du dispositif.

- Rangez le dispositif de gonflage à l'intérieur lorsqu'il n'est pas utilisé.
- Gardez hors de la portée des enfants.
- Ne nettoyez pas ce dispositif de gonflage avec un jet d'eau ou une technique similaire. Suivez les instructions de nettoyage du fabricant.
- Débranchez le bloc-batterie du dispositif de gonflage avant d'effectuer tout réglage, de changer d'accessoire, de ranger le dispositif, etc.
- Rangez les dispositifs de gonflage inutilisés hors de portée des enfants et ne laissez pas des personnes qui ne se sont pas familiarisées avec le dispositif ou ces instructions l'utiliser. Les dispositifs de gonflage sont dangereux entre les mains des utilisateurs non formés.
- Faites effectuer l'entretien de votre dispositif de gonflage par un réparateur qualifié et n'utilisez que des pièces de rechange identiques. Cela permet de garantir la sécurité du dispositif de gonflage.
- L'élimination des batteries doit être conforme aux réglementations locales concernant l'élimination des matières dangereuses et ne pas incinérer la batterie.
- Gardez votre zone de travail propre et bien éclairée. Les établis encombrés et les zones sombres augmentent le risque de blessures corporelles ou de dommages matériels.
- N'utilisez pas le dispositif dans des environnements explosifs, par exemple en présence de liquides, gaz ou poussières inflammables.
- Tenez les passants, les enfants et les visiteurs à l'écart lorsque vous utilisez un dispositif de gonflage. Les distractions peuvent vous faire perdre le contrôle.
- Pour de meilleurs résultats et plus de puissance, nous vous recommandons d'utiliser votre dispositif de gonflage en mettant le moteur de votre véhicule en marche, en vous assurant que vous êtes à l'extérieur ou dans un endroit ouvert et bien ventilé et non à l'intérieur d'un endroit fermé comme un garage, car des blessures corporelles ou une asphyxie entraînant la mort pourraient survenir.
- Ce dispositif de gonflage est conçu pour gonfler les pneus de voiture, de vélo, de VTT, les équipements de sport, les matelas pneumatiques, les jouets de plage et autres objets gonflables. Ne l'utilisez pas à d'autres fins que le gonflage. Cela pourrait entraîner des blessures.
- Laissez le dispositif de gonflage refroidir 10 minutes après chaque tranche de 10 minutes de fonctionnement continu.
- Ne transportez pas le dispositif de gonflage par le tuyau d'air, car cela pourrait l'endommager.
- Ne laissez pas le dispositif de gonflage sans surveillance lorsqu'il fonctionne.
- Évitez de trop gonfler l'article à gonfler. Veuillez suivre les instructions du fabricant de l'article que vous gonflez.
- Gardez le dispositif de gonflage à l'écart des zones/ liquides inflammables à tout moment.

- N'utilisez pas le dispositif de gonflage dans des endroits mouillés ou humides.
- Utilisez le dispositif de gonflage avec les accessoires fournis uniquement.
- Portez des lunettes de sécurité. Portez aussi une protection faciale ou un masque antipoussière si l'opération est poussiéreuse.
- Ce dispositif de gonflage n'est pas conçu pour remplir des réservoirs d'air ou des amortisseurs pneumatiques
- Assurez-vous que la prise de courant 12 volts de votre véhicule est exempte de tout résidu de cendres ou de débris. Une prise de courant 12 volts sale peut entraîner une surchauffe du dispositif de gonflage et du cordon d'alimentation. La surchauffe peut endommager votre dispositif de gonflage/véhicule et causer des dommages corporels ou des blessures. Débranchez l'alimentation lorsque vous n'utilisez pas le dispositif.
- Pour un rendement optimal, il est recommandé que la batterie 12 volts de votre véhicule soit complètement chargée.
- Assurez-vous que le dispositif de gonflage est sécurisé pendant le transport.
- Rangez le dispositif de gonflage dans un endroit sec afin d'éviter toute utilisation non autorisée ou tout dommage. Gardez hors de la portée des enfants.
- Gardez les poignées sèches, propres et exemptes de débris. Nettoyez le dispositif de gonflage après chaque utilisation. Reportez-vous à la section Entretien de ce manuel pour obtenir plus de renseignements.
- Conservez ces instructions dans un endroit sûr pour référence future. Consultez-les souvent et utilisez-les pour informer d'autres utilisateurs. Quiconque utilise ce dispositif de gonflage doit lire attentivement ces instructions.

3 ÉLECTRIQUE



- Évitez tout démarrage accidentel. Assurez-vous que l'interrupteur est en position d'arrêt avant de brancher la batterie ou de soulever ou de transporter l'appareil. Transporter l'appareil en laissant un doigt sur l'interrupteur ou alimenter un appareil dont l'interrupteur est en marche risque de provoquer des accidents.
- Débranchez le bloc-batterie de l'appareil avant d'effectuer tout réglage, de changer d'accessoire, de ranger l'appareil, etc. De telles mesures de sécurité préventives réduisent le risque de démarrage accidentel de l'appareil.
- Rechargez uniquement avec le chargeur spécifié par le fabricant. Un chargeur adapté à un type de bloc-batterie peut créer un risque d'incendie lorsqu'il est utilisé avec un autre bloc-batterie.
- N'utilisez l'équipement qu'avec les blocs-batteries spécifiquement désignés. L'utilisation de tous autres bloc-batteries peut créer un risque de blessure et d'incendie.
- Lorsque le bloc-batterie n'est pas utilisé, éloignez-le des autres objets métalliques tels qu'attaches trombones, pièces de monnaie, clés, clous, vis ou autres petits objets


métalliques qui peuvent établir une connexion d'une borne à une autre.

- Le court-circuitage des bornes de la batterie peut provoquer des brûlures ou un incendie.
- Dans des conditions abusives, du liquide peut être éjecté de la batterie; évitez tout contact. En cas de contact accidentel, rincez avec de l'eau. En cas de contact avec les yeux, consultez également un médecin. Le liquide s'échappant des batteries peut causer des irritations ou des brûlures.
- N'utilisez pas un bloc-batterie ou un appareil endommagé ou modifié. Les batteries endommagées ou modifiées peuvent présenter un fonctionnement imprévisible et provoquer un incendie, une explosion ou un risque de blessure.
- N'exposez pas un bloc-batterie ou un appareil au feu ou à une température excessive. L'exposition au feu ou une température supérieure à 130°C (265°F) peut provoquer une explosion.
- Faites effectuer l'entretien par un réparateur qualifié en n'utilisant que des pièces de rechange identiques. Cela garantira le maintien de la sécurité du produit.
- Suivez toutes les instructions de recharge et ne rechargez pas le bloc-batterie ou l'appareil en dehors de la plage de température spécifiée dans ces instructions. Un rechargement incorrect ou à des températures en dehors de la plage spécifiée peut endommager la batterie et augmenter le risque d'incendie.
- Ne modifiez pas ou n'essayez pas de réparer l'appareil ou le bloc-batterie, sauf si cela est indiqué dans les instructions d'utilisation et d'entretien.

4 SYMBOLES FIGURANT SUR LA MACHINE

Certains des symboles suivants peuvent être utilisés sur cet outil. Veuillez les étudier et apprendre leur signification. Une bonne interprétation de ces symboles vous permettra de mieux utiliser l'outil et de manière plus sécuritaire.

Symbole	Explication
V	Voltage
A	Courant
W	Puissance
min	Heure
min ⁻¹	Tours, coups, vitesse périphérique, orbites, etc., par minute
	Courant direct
	Lisez et comprenez toutes les instructions avant d'utiliser cette machine, et suivez tous les avertissements et les consignes de sécurité.

Symbole	Explication
	Ne pas exposer la machine à la pluie ou à l'humidité.

5 PROPOSITION 65

▲ AVERTISSEMENT

Ce produit contient un produit chimique connu dans l'état de Californie comme étant une cause de cancer, de malformations congénitales ou d'autres problèmes de reproduction. Certaines poussières produites par le ponçage mécanique, le sciage, le meulage, le perçage et d'autres activités de construction contiennent des produits chimiques connus pour causer le cancer, des malformations congénitales ou d'autres problèmes de reproduction. Voici quelques exemples de ces produits chimiques :




- Plomb provenant de peintures à base de plomb;
- Silice cristalline provenant de briques, de ciment et d'autres produits de maçonnerie;
- Arsenic et chrome provenant de bois traité chimiquement.

Votre risque d'exposition à ces produits chimiques varie selon la fréquence à laquelle vous faites ce type de travail. Pour réduire votre exposition à ces produits chimiques, travaillez dans un endroit bien ventilé et utilisez un équipement de sécurité approuvé, comme des masques anti-poussière spécialement conçus pour filtrer les particules microscopiques.

Conservez ces instructions.

6 NIVEAUX DE RISQUES

Les termes de mise en garde suivants et leur signification ont pour but d'expliquer les niveaux de risques associés à l'utilisation de ce produit.

SYM-BOLE	SIGNAL	SIGNIFICATION
	DANGER	Indique une situation dangereuse imminente qui, si elle n'est pas évitée, peut entraîner la mort ou des blessures graves.
	AVERTISSEMENT	Indique une situation potentiellement dangereuse qui, si elle n'est pas évitée, peut entraîner la mort ou des blessures graves.
	MISE EN GARDE	Indique une situation potentiellement dangereuse qui, si elle n'est pas évitée, pourrait causer des blessures mineures ou modérées.

SYM-BOLE	SIGNAL	SIGNIFICATION
	MISE EN GARDE	(Sans symbole d'alerte de sécurité) indique une situation pouvant entraîner des dommages matériels.

7 ÉLIMINATION DES BATTERIES SANS DANGER POUR L'ENVIRONNEMENT



Les matières toxiques et corrosives ci-dessous se trouvent dans les batteries utilisées dans cette machine : **Lithium-ion, une substance toxique.**

▲ AVERTISSEMENT

Éliminez toutes les substances toxiques d'une manière spécifiée afin de prévenir la contamination de l'environnement. Avant de jeter une batterie au lithium-ion endommagée ou usée, contactez votre agence locale d'élimination des déchets ou l'agence locale de protection de l'environnement pour obtenir des informations et des instructions spécifiques. Apportez les batteries à un centre local de recyclage ou d'élimination certifié pour l'élimination de batteries au lithium-ion.

▲ AVERTISSEMENT

Si la batterie se fend ou se brise, avec ou sans fuites, ne la rechargez pas et ne l'utilisez pas. Jetez-la et remplacez-la par une nouvelle batterie. N'ESSAYEZ PAS DE LA RÉPARER ! Pour prévenir les blessures et les risques d'incendie, d'explosion ou de décharge électrique, et pour éviter tout dommage à l'environnement :

- Couvrez les bornes de la batterie avec du ruban adhésif résistant.
- NE PAS essayer d'enlever ou de détruire les composants de la batterie.
- NE PAS essayer d'ouvrir ou de réparer la batterie.
- En cas de fuite, les électrolytes rejetés sont corrosifs et toxiques. NE laissez PAS entrer la solution dans les yeux ou en contact avec la peau et ne l'avalez pas.
- NE PAS jeter vos batteries usagées dans votre poubelle à ordures ménagères.
- N'incinerez PAS les batteries.
- NE LES Mettez PAS dans un endroit où ils feront partie d'un site d'enfouissement de déchets ou d'un flux de déchets solides municipaux.
- Emmenez-les dans un centre de recyclage ou d'élimination certifié.

8 INSTALLATION

8.1 DÉBALLER LA MACHINE

▲ AVERTISSEMENT

Assurez-vous d'assembler correctement la machine avant de l'utiliser.

▲ AVERTISSEMENT

- Si les pièces de la machine sont endommagées, ne l'utilisez pas.
- Si vous n'avez pas toutes les pièces, n'utilisez pas la machine.
- Si des pièces sont endommagées ou manquantes, communiquez avec le centre de service.

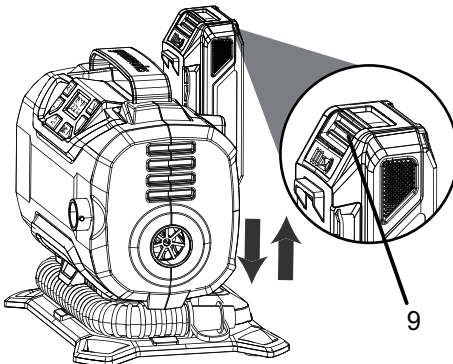
1. Ouvrez l'emballage.
2. Lisez la documentation contenue dans la boîte.
3. Retirez toutes les pièces non assemblées de la boîte.
4. Retirez la machine de sa boîte.
5. Jetez la boîte et l'emballage conformément aux règlements locaux.

8.2 INSTALLER LE BLOC-BATTERIE

▲ AVERTISSEMENT

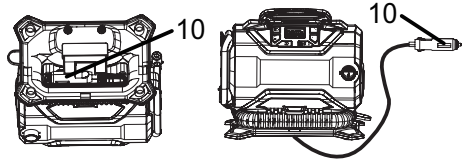
- Si le bloc-batterie ou le chargeur est endommagé, remplacez-le, au besoin.
- Arrêtez la machine et attendez que le moteur s'arrête avant d'installer ou de retirer le bloc-batterie.
- Lisez, comprenez et suivez les instructions du manuel du bloc-batterie et du chargeur.

1. Alignez les languettes du bloc-batterie avec les rainures du compartiment de batterie.
2. Poussez le bloc-batterie dans le compartiment de batterie jusqu'à ce qu'il soit bien encliqueté.
3. Vous devriez entendre un clic lorsque le bloc-batterie sera inséré correctement.



i CONSEIL

Cette machine peut également se brancher directement à la prise de courant 12 V. Insérez le cordon d'alimentation 12 V (10) dans la prise 12 V pour fournir automatiquement un courant continu de 12 V à votre dispositif de gonflage.



8.3 RETIREZ LA BATTERIE

1. Poussez et maintenez enfoncé le bouton de déblocage de la batterie.
2. Retirez la batterie de la machine.

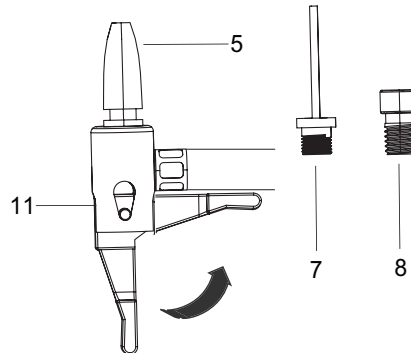
8.4 SÉLECTIONNEZ LE MODE

Mode haute pression

i REMARQUE

Choisissez le mode haute pression pour démarrer le dispositif de gonflage lorsque vous branchez le tuyau d'air (haute pression) à l'article.

1. Branchez l'adaptateur de valve à connexion rapide (11) à l'article à gonfler.
2. Appuyez sur le levier de verrouillage de la valve pour sécuriser le raccordement.

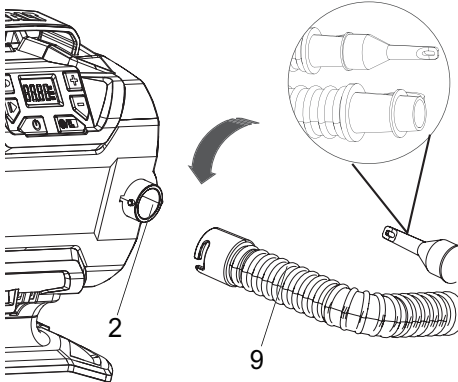


Mode basse pression

1. Insérez le tuyau d'air basse pression (9) dans la prise de branchement et tournez-le dans le sens inverse des aiguilles d'une montre.
2. Utilisez la buse de votre choix pour gonfler l'article.

REMARQUE

Choisissez le mode basse pression pour démarrer le dispositif de gonflage lorsque vous branchez le tuyau d'air (basse pression) à l'article.

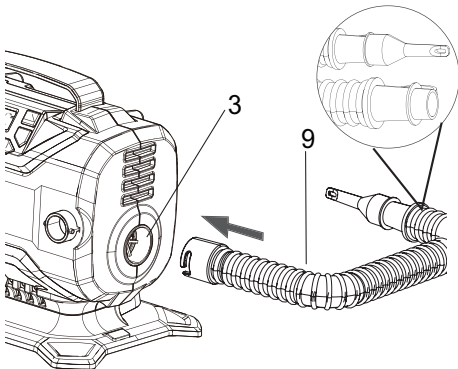


Mode de dégonflage

1. Pour dégonfler l'article, insérez le tuyau d'air basse pression (9) dans la sortie d'air (3).
2. Utilisez la buse de votre choix pour dégonfler l'article.

REMARQUE

Réglez le dispositif de gonflage en mode basse pression pour dégonfler l'article.



9 UTILISATION

AVERTISSEMENT

Portez toujours des lunettes de protection.

AVERTISSEMENT

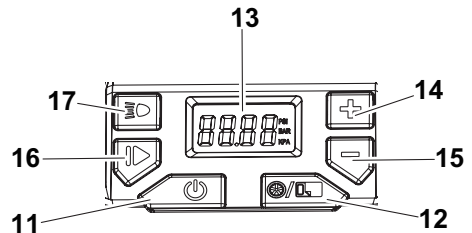
N'utilisez pas d'autres pièces ou d'accessoires non recommandés par le fabricant de ce produit.

9.1 DÉMARRER LA MACHINE

AVERTISSEMENT

Évitez de trop gonfler les articles et ne laissez jamais le dispositif de gonflage sans surveillance lorsqu'il est utilisé.

1. Appuyez sur le bouton marche/arrêt (11).
2. Appuyez sur le bouton de sélection du mode (12) pour choisir le mode haute pression ou basse pression.
3. Le manomètre numérique (13) affiche la pression actuelle (par incréments de 1 psi) de l'article que vous êtes en train de gonfler dans la partie supérieure de l'écran ACL.
4. Appuyez sur le bouton (14) pour augmenter la pression, ou sur le bouton (15) pour la diminuer.
5. Pour démarrer le dispositif de gonflage, appuyez sur le bouton marche/pause (16).
6. Pour modifier la pression cible, appuyez à nouveau sur le bouton marche/pause (16) et effectuez le réglage.
7. Pour arrêter le dispositif de gonflage avant qu'il n'atteigne la pression cible, appuyez sur le bouton marche/pause (16). Pour reprendre le gonflage, il suffit d'appuyer à nouveau sur le bouton. Appuyez sur le bouton marche/arrêt (11) pour éteindre le dispositif de gonflage. L'appareil s'éteint automatiquement après cinq minutes d'inactivité.



i REMARQUE

- Lorsque vous travaillez dans un environnement sombre, appuyez sur le bouton d'éclairage DEL (17) pour allumer la lumière.
- Lorsque l'écran de lecture ACL affiche la valeur de pression cible, l'écran de lecture ACL clignote 3 fois au niveau prédéfini souhaité.
- La valeur du mode basse pression est fixe et ne peut être modifiée.
- Le dispositif de gonflage s'arrêtera automatiquement lorsque le niveau de pression souhaité que vous avez programmé sera atteint.
- Le dispositif de gonflage a une tolérance de -5 psi et s'arrêtera automatiquement en conséquence.
- Si la pression actuelle de l'article que vous gonflez est supérieure à la pression cible, le dispositif de gonflage ne se mettra pas en marche.

9.2 ARRÊTEZ LA MACHINE

1. Relâchez la gâchette pour arrêter la machine.

▲ AVERTISSEMENT

Relâchez la gâchette et laissez la machine s'arrêter complètement.

10 ENTRETIEN

▲ AVERTISSEMENT

Retirez le bloc-batterie de la machine avant l'entretien.

▲ AVERTISSEMENT

N'utilisez pas de solvants ou de détergents puissants sur le boîtier ou les composants en plastique.

10.1 NETTOYEZ LA MACHINE

▲ ATTENTION

La machine doit être sèche. L'humidité peut provoquer des risques de chocs électriques.

- Enlevez les matières indésirables de l'évent d'air à l'aide d'un aspirateur.
- Ne vaporisez pas l'évent d'air et ne le plongez pas dans des solvants.
- Nettoyez le boîtier et les composants en plastique avec un chiffon doux et humide.

11 DONNÉES TECHNIQUES

Voltage	24 V
Pression de service (max.)	160 PSI
Poids sans batterie	4.34 lbs. (1.97 kg)

Tuyau d'air (haute pression)	80 cm
Tuyau d'air (basse pression)	42 cm
Batterie modèle	BAG708 et autres séries BAG
Chargeur modèle	CAG801 et autres séries CAG

La plage de température ambiante recommandée :

Article	Température
Plage de température d'entreposage de la machine	32°F (0°C) - 113°F (45°C)
Plage de température d'utilisation de la machine	32°F (0°C) - 113°F (45°C)
Plage de température de rechargement de la batterie	39°F (4°C) - 104°F (40°C)
Plage de température de fonctionnement du chargeur	39°F (4°C) - 104°F (40°C)
Plage de température d'entreposage de la batterie	32°F (0°C) - 113°F (45°C)
Plage de température de déchargement de la batterie	32°F (0°C) - 113°F (45°C)

12 DÉPANNAGE

Problème	Cause possible	Solution
Le dispositif de gonflage ne fonctionne pas.	Le ventilateur s'est arrêté pour protéger les circuits internes.	Éteignez le dispositif de gonflage, attendez que l'outil et la batterie refroidissent, puis remettez l'outil en marche.
	Le bloc-batterie est déchargé.	Rechargez le bloc-batterie.
La machine dégage de la fumée pendant le fonctionnement.	La machine est endommagée.	<ol style="list-style-type: none"> 1. Arrêtez la machine immédiatement. 2. Retirez le bloc-batterie. 3. Communiquez avec le centre de service.

13 GARANTIE LIMITÉE



Greenworks garantit par la présente ce produit, à l'acheteur original avec preuve d'achat, pour une période de trois (3) ans contre tout défaut de matériaux, de pièces ou de main-d'œuvre. Greenworks, à sa propre discrétion, réparera ou remplacera toutes les pièces défectueuses, dans des conditions normales d'utilisation, sans frais pour le client. Cette garantie n'est valable que pour les appareils qui ont été utilisés à des fins personnelles, qui n'ont pas été loués à des fins industrielles ou commerciales et qui ont été entretenus conformément aux instructions du manuel du propriétaire fourni avec le produit neuf.

ARTICLES NON COUVERTS PAR LA GARANTIE :

1. Toute pièce qui est devenue inopérante en raison d'une mauvaise utilisation, d'une utilisation commerciale, d'un abus, d'une négligence, d'un accident, d'un entretien inapproprié ou d'une modification; ou
2. L'appareil, s'il n'a pas été utilisé et/ou entretenu conformément au manuel du propriétaire; ou
3. Usure normale;
4. Articles d'entretien courant tels que lubrifiants, affûtage des lames;
5. Détérioration normale du fini extérieur due à l'utilisation ou à l'exposition.

ASSISTANCE TÉLÉPHONIQUE :

Le service de garantie est accessible en appelant notre ligne d'assistance téléphonique sans frais, au 1-888-909-6757.

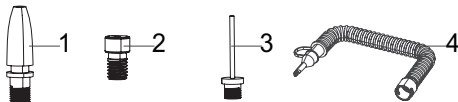
FRAIS DE TRANSPORT :

Les frais de transport pour le déplacement de tout équipement motorisé ou accessoire sont à la charge de l'acheteur. Il incombe à l'acheteur de payer les frais de transport pour toute pièce retournée pour remplacement en vertu de la présente garantie, à moins qu'un tel retour soit demandé par écrit par Greenworks.

Adresse aux États-Unis : Adresse au Canada :

Greenworks Tools	Greenworks Tools Canada Inc.
P.O. Box 1238	P.O. Box 93095, Newmarket, Ontario
Mooresville, NC 28115	L3Y 8K3

14 VUE ÉCLATÉE



No	No de pièce	Qté	Description
1	R0201948-00	1	Buse pour radeau
2	R0201950-00	1	Adaptateur de valve Presta
3	R0201949-00	1	Aiguille pour ballons de sport
4	R0201951-00	1	Tuyau d'air (basse pression)

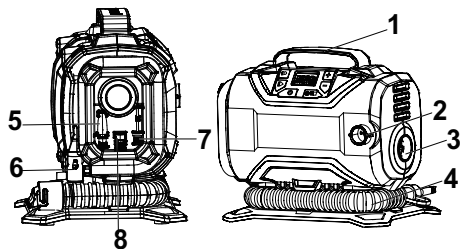
1	Descripción.....	20		8.1 Desembalaje de la máquina.....	22
1.1	Finalidad.....	20	8.2	Instalación de la batería.....	23
1.2	Perspectiva general.....	20	8.3	Retirada de la batería.....	23
1.3	Lista de embalaje.....	20	8.4	Selección del modo.....	23
2	Instrucciones importantes de seguridad.....	20	9	Funcionamiento.....	24
3	Sistema eléctrico.....	21	9.1	Puesta en marcha de la máquina.....	24
4	Símbolos en el producto.....	21	9.2	Detención de la máquina.....	24
5	Propuesta 65.....	22	10	Mantenimiento.....	25
6	Niveles de riesgo.....	22	10.1	Limpeza de la máquina.....	25
7	Eliminación de batería segura para el medio ambiente.....	22	11	Datos técnicos.....	25
8	Instalación.....	22	12	Solución de problemas.....	25
			13	Garantía limitada.....	25
			14	Vista despiezada.....	26

1 DESCRIPCIÓN

1.1 FINALIDAD

La máquina sirve para inflar colchones de aire, juguetes, balones deportivos, neumáticos, flotadores.

1.2 PERSPECTIVA GENERAL



- | | |
|-----------------------------------|-----------------------------------|
| 1 Asa de transporte | 6 Manguera de aire (alta presión) |
| 2 Puerto conector | 7 Aguja para deportes |
| 3 Puerto de desinflado | 8 Adaptador de válvula Presta |
| 4 Manguera de aire (baja presión) | |
| 5 Boquilla para botes | |

1.3 LISTA DE EMBALAJE

Cant.	Descripción
1	Inflador
1	Manguera de aire (baja presión)
1	Manguera de aire (alta presión)
1	Boquilla para botes
1	Aguja para deportes
1	Adaptador de válvula Presta
1	Cable de alimentación de 12V

2 INSTRUCCIONES IMPORTANTES DE SEGURIDAD

Debe leer y entender todas las instrucciones antes de utilizar este producto. El incumplimiento de las instrucciones indicadas a continuación puede provocar descargas eléctricas, incendios o lesiones personales graves.

- Para uso exclusivo doméstico.
- Las tareas de servicio de inflador exigen un cuidado extremo y un buen conocimiento del sistema y únicamente debe realizarlas personal de servicio cualificado. Las piezas de repuesto para un inflador deben ser idénticas a las piezas de este.
- Guarde el inflador en interior cuando no lo utilice.

- Mantenga fuera del alcance de los niños.
- No limpie este inflador con un spray de agua o similar. Siga las instrucciones de limpieza del fabricante.
- Desconecte la batería del inflador antes de realizar ajustes, cambiar accesorios o almacenar el inflador, etc.
- Almacene los infladores inactivos fuera del alcance de los niños y no permita que personas que no estén familiarizadas con el inflador o estas instrucciones puedan utilizarlo. Los infladores son peligrosos en manos de usuarios inexpertos.
- Solicite a un técnico de reparación cualificado que realice las tareas de servicio de su inflador utilizando únicamente piezas de repuesto idénticas. Esto garantizará el mantenimiento de la seguridad del inflador.
- La eliminación de la batería debe cumplir con los reglamentos locales en materia de eliminación de materiales peligrosos; no debe incinerarse la batería.
- Mantenga limpia y bien iluminada la zona de trabajo. Los bancos de trabajo desordenados y las zonas oscuras aumentan la posibilidad de que se produzcan lesiones personales o daños materiales.
- No utilice los infladores en atmósferas explosivas como en la presencia de líquidos, gases o polvo que puedan inflamarse.
- Mantenga alejados a los transeúntes, los niños y los visitantes mientras utilice un inflador. Las distracciones pueden hacer que pierda el control.
- Para obtener los mejores resultados y una mayor eficiencia energética, se recomienda utilizar el inflador con el motor del vehículo en marcha, con la total certeza de encontrarse en el exterior o en una zona abierta y bien ventilada y no dentro de una zona confinada como un garaje, ya que podrían producirse lesiones corporales o asfixia que a su vez podrían ocasionar la muerte.
- Este inflador se ha diseñado para inflar neumáticos de coche, neumáticos de bicicleta, neumáticos de cuatrimoto, equipos deportivos, colchones de aire, juguetes de playa y otros artículos inflables. No lo utilice para otra finalidad que no sea inflar. De hacerlo, pueden producirse lesiones corporales o personales.
- Deje que el inflador se enfríe 10 minutos tras cada 10 minutos de funcionamiento continuo.
- No transporte el inflador por la manguera de aire, ya que podrían producirse daños.
- No deje el inflador sin vigilancia mientras esté en funcionamiento.
- No infle en exceso. Siga las instrucciones del fabricante del artículo que vaya a inflar.
- Mantenga el inflador alejado de zonas/líquidos inflamables en todo momento.
- No utilice el inflador en zonas húmedas o mojadas.
- Utilice el inflador únicamente con los accesorios que se incluyen.
- Utilice gafas de seguridad. Lleve también una máscara facial o antipolvo si se levanta polvo durante funcionamiento.

- Este inflador no se ha diseñado para llenar depósitos de aire o amortiguadores de aire
- Asegúrese de que la toma eléctrica de 12 voltios de su vehículo no tenga restos de ceniza o residuos. Si la toma eléctrica de 12 voltios está sucia, esto puede provocar el sobrecalentamiento del inflador y el cable de alimentación. El sobrecalentamiento puede dañar su inflador/vehículo y podría provocar lesiones corporales o personales. Desconecte la alimentación cuando no se utilice.
- Se recomienda que la batería de 12 voltios de su vehículo esté totalmente cargada para obtener el mejor rendimiento.
- Verifique que sea seguro transportar el inflador.
- Guarde el inflador en un lugar seco para evitar su uso no autorizado o daños. Mantenga fuera del alcance de los niños.
- Mantenga las asas secas, limpias y sin restos de residuos. Limpie el inflador tras cada uso. Consulte la sección de mantenimiento de este manual para obtener más información.
- Guarde estas instrucciones en un lugar seguro para su consulta posterior. Consúltelas con frecuencia y utilícelas para instruir a otros usuarios. Toda persona que utilice el inflador debe leer detenidamente estas instrucciones.




3 SISTEMA ELÉCTRICO

- Evite el arranque accidental. Asegúrese de que el interruptor esté en la posición de apagado antes de conectar a la batería y al coger o transportar el equipo. El transporte del equipo con el dedo en el interruptor o la conexión de un equipo que tiene el interruptor activado fomenta los accidentes.
- Desconecte la batería del equipo antes de realizar ajustes, cambiar accesorios o almacenarlo. Estas medidas de seguridad preventivas reducen el riesgo de que el equipo se ponga en marcha accidentalmente.
- Recargue solo con el cargador especificado por el fabricante. Un cargador adecuado para un tipo de batería puede dar lugar a un riesgo de incendio cuando se usa con otra batería.
- Utilice el equipo únicamente con las baterías designadas específicamente. El uso de cualquier otra batería puede dar lugar a un riesgo de lesiones e incendio.
- Cuando la batería no esté en uso, manténgala alejada de otros objetos metálicos como clips, monedas, llaves, clavos, tornillos u otros objetos metálicos pequeños que puedan hacer una conexión entre los terminales.
- El cortocircuito de los terminales de la batería puede provocar quemaduras o un incendio.
- Bajo condiciones abusivas, es posible que salga líquido despedido de la batería; evite el contacto. Si se produce un contacto accidental, aclare con agua. Si el líquido entra en contacto con los ojos, acuda también al médico. El líquido despedido de la batería puede provocar irritación o quemaduras.

- No utilice una batería o un equipo que haya sufrido daños o modificaciones. Las baterías dañadas o modificadas pueden exhibir un comportamiento impredecible que puede dar lugar a un incendio, una explosión o un riesgo de lesiones.
- No exponga una batería o un equipo al fuego ni a temperaturas excesivas. La exposición al fuego o a una temperatura superior a 265°F (130°C) puede provocar una explosión.
- Solicite a un técnico de reparación cualificado que realice las tareas de servicio utilizando únicamente piezas de repuesto idénticas. Esto garantizará el mantenimiento de la seguridad del producto.
- Siga todas las instrucciones de carga y no cargue la batería o el aparato fuera del intervalo de temperatura especificado en las instrucciones. La carga incorrecta o a temperaturas fuera del intervalo especificado puede dañar la batería y aumentar el riesgo de incendio.
- No modifique ni intente reparar el aparato o la batería, excepto como se indica en las instrucciones de uso y cuidado.

4 SÍMBOLOS EN EL PRODUCTO

En esta herramienta pueden utilizarse algunos de los siguientes símbolos. Le rogamos que los estudie y aprenda su significado. La interpretación correcta de estos símbolos le permitirá manejar la herramienta mejor y de manera más segura.

Símbolo	Explicación
V	Tensión
A	Corriente
W	Potencia
min	Tiempo
min ⁻¹	Revoluciones, carreras, velocidad de superficie, órbitas, etc., por minuto
	Corriente continua
	Debe leer y entender todas las instrucciones antes de manejar el producto, así como seguir todas las advertencias e instrucciones de seguridad.
	No exponga el producto a la lluvia o a condiciones de humedad.

5 PROPUESTA 65

▲ AVISO

Este producto contiene una sustancia química conocida en el estado de California como causante de cáncer, defectos de nacimiento u otros daños reproductivos. El polvo generado por el lijado eléctrico, el serrado, el esmerilado, la perforación y otras actividades de construcción contiene sustancias químicas que se sabe que son causantes de cáncer, defectos de nacimiento u otros daños reproductivos. Algunos ejemplos de estas sustancias químicas son:

- Plomo de pinturas con base de plomo;
- Sílice cristalina de ladrillos y cemento y otros productos de albañilería;
- Arsénico y cromo de la madera tratada químicamente.

El riesgo de exposición a estas sustancias químicas varía según la frecuencia con la que realice este tipo de trabajo. Para reducir su exposición a estas sustancias químicas, trabaje en una zona bien ventilada y trabaje con equipos de seguridad aprobados, como máscaras antipolvo, que estén especialmente diseñadas para filtrar partículas microscópicas.

Conserve estas instrucciones.

6 NIVELES DE RIESGO

Las siguientes indicaciones y significados tienen como fin explicar los niveles de riesgo asociados a este producto.

SÍMBOLO	INDICACIÓN	SIGNIFICADO
	PELIGRO	Indica una situación de peligro inminente que, de no evitarse, provocará lesiones graves o incluso la muerte.
	ADVERTENCIA	Indica una situación de peligro potencial que, de no evitarse, podría provocar lesiones graves o incluso la muerte.
	PRECAUCIÓN	Indica una situación de peligro potencial que, de no evitarse, puede provocar lesiones leves o moderadas.
	PRECAUCIÓN	(Sin símbolo de alerta sobre seguridad) Indica una situación que puede provocar daños materiales.

7 ELIMINACIÓN DE BATERÍA SEGURA PARA EL MEDIO AMBIENTE



Los materiales tóxicos y corrosivos que figuran a continuación se encuentran en las baterías utilizadas en esta máquina: **Ion de litio, un material tóxico.**

▲ AVISO

Deseche todos los materiales tóxicos de una manera especificada para evitar la contaminación del medio ambiente. Antes de desechar una batería de ion de litio dañada o agotada, contacte con la agencia local de eliminación de residuos o con la agencia de protección ambiental local para obtener información e instrucciones específicas. Lleve las baterías a un centro de reciclaje o eliminación local, certificado para la eliminación de ion de litio.

▲ AVISO

Si la batería se agrieta o se rompe, con o sin fugas, no la recargue ni la utilice. Deséchela y sustitúyala por una batería nueva. **¡NO INTENTE REPARARLA!** Para evitar lesiones y riesgos de incendio, explosión o descarga eléctrica, y para evitar daños al medio ambiente:

- Cubra los terminales de la batería con cinta adhesiva resistente.
- NO intente retirar o destruir ninguno de los componentes de la batería.
- NO intente abrir la batería.
- Si se produce una fuga, los electrolitos liberados son corrosivos y tóxicos. NO deje que la solución entre en contacto con los ojos o la piel, y no la ingiera.
- NO deseche estas baterías con la basura doméstica normal.
- NO incinere.
- NO lleve las baterías a lugares donde formarán parte de vertederos de residuos o flujos de residuos sólidos urbanos.
- Llévelas a un centro de reciclaje o eliminación certificado.

8 INSTALACIÓN

8.1 DESEMBALAJE DE LA MÁQUINA

▲ AVISO

Asegúrese de montar correctamente la máquina antes del uso.

▲ AVISO

- Si las piezas de la máquina presentan daños, no utilice la máquina.
- Si no tiene todas las piezas, no utilice la máquina.
- Si faltan piezas o hay piezas dañadas, contacte con el centro de servicio.

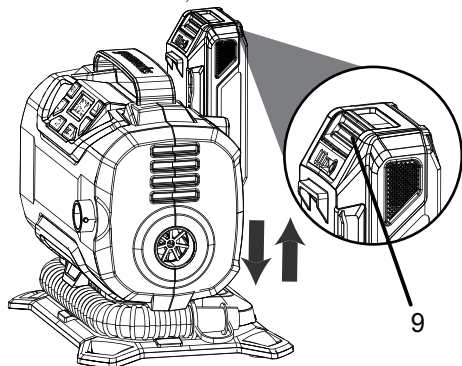
1. Abra el embalaje.
2. Lea la documentación que se proporciona en la caja.
3. Retire todas las piezas sin montar de la caja.
4. Retire la máquina de la caja.
5. Deseche la caja y el material de embalaje de conformidad con los reglamentos locales.

8.2 INSTALACIÓN DE LA BATERÍA

▲ AVISO

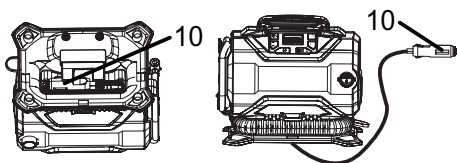
- Si la batería o el cargador ha sufrido daños, sustituya la batería o el cargador.
- Detenga la máquina y espere hasta que el motor se pare antes de instalar o retirar la batería.
- Debe leer, conocer y seguir las instrucciones del manual de la batería y el cargador.

1. Alinee las nervaduras de elevación de la batería con las ranuras del compartimento de la batería.
2. Introduzca la batería en el compartimento de la batería hasta que encaje en su posición.
3. Cuando escuche un clic, la batería está instalada.



¡ SUGERENCIA

Esta máquina también puede conectarse directamente a la toma eléctrica de 12V. Inserte el cable de alimentación de 12V (10) en la toma eléctrica de 12V, esto proporcionará automáticamente una corriente continua de 12V a su inflador.



8.3 RETIRADA DE LA BATERÍA

1. Pulse y mantenga pulsado el botón de desbloqueo de la batería.
2. Retire la batería de la máquina.

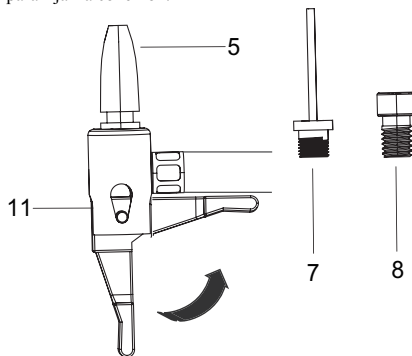
8.4 SELECCIÓN DEL MODO

Modo de alta presión

¡ NOTA

Seleccione el modo de alta presión para poner en marcha el inflador cuando conecte la manguera de aire (alta presión) al artículo.

1. Conecte el adaptador de válvula de conexión rápida (11) al artículo que va a inflarse.
2. Empuje hacia abajo la palanca de bloqueo de la válvula para fijar la conexión.

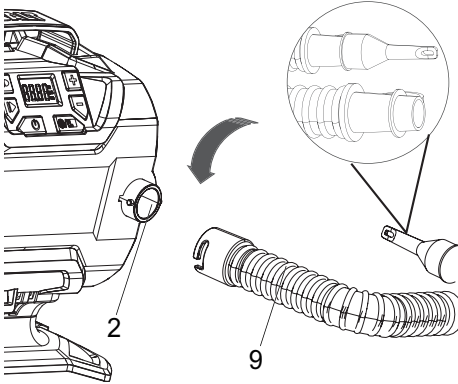


Modo de baja presión

1. Inserte la manguera de aire de baja presión (9) en el puerto conector y gire en sentido antihorario.
2. Utilice la boquilla que desee para inflar el artículo.

¡ NOTA

Seleccione el modo de baja presión para poner en marcha el inflador cuando conecte la manguera de aire (baja presión) al artículo.

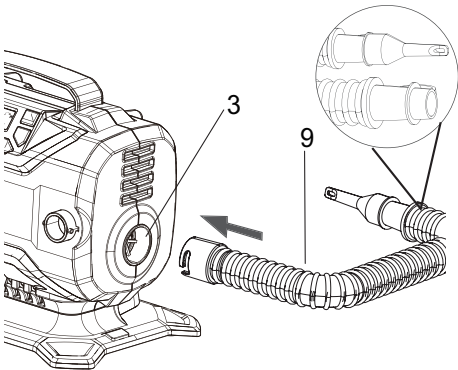


Modo de desinflado

1. Para desinflar el artículo, inserte la manguera de aire de baja presión (9) en la salida de aire (3).
2. Utilice la boquilla que desee para desinflar el artículo.

i NOTA

Ponga el inflador en el modo de baja presión para desinflar.



9 FUNCIONAMIENTO

▲ AVISO

Lleve siempre protección ocular.

▲ AVISO

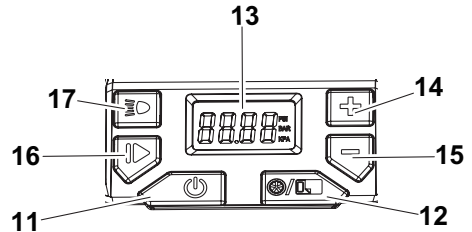
No utilice ningún accesorio no recomendado por el fabricante de este producto.

9.1 PUESTA EN MARCHA DE LA MÁQUINA

▲ AVISO

Evite siempre el exceso de inflado y no deje nunca el inflador sin vigilancia cuando esté en uso.

1. Pulse el botón de encendido/apagado (11).
2. Pulse el botón de selección de modo (12) para elegir el modo de alta o baja presión.
3. El manómetro digital (13) mostrará la presión actual (en incrementos de 1 PSI) del artículo que está inflando en la sección superior de la pantalla LCD.
4. Pulse el botón (14) para aumentar el valor de PSI, o pulse el botón (15) para disminuirlo.
5. Para poner en marcha el inflador, pulse el botón de funcionamiento/pausa (16).
6. Para cambiar el nivel de PSI objetivo, pulse de nuevo el botón de funcionamiento/pausa (16) y el nivel de ajuste.
7. Para detener el inflador antes de que alcance el nivel de PSI objetivo, pulse el botón de funcionamiento/pausa (16). Para reanudar el inflado, simplemente pulse el botón de nuevo. Pulse el botón de encendido/apagado (11) para apagar el inflador. La alimentación se desconecta automáticamente después de cinco minutos sin actividad.



i NOTA

- Cuando trabaje en un ambiente poco iluminado, pulse el botón de luz LED (17) para encender la luz.
- Cuando la pantalla de lectura LCD muestre el valor de PSI objetivo, la lectura LCD parpadeará 3 veces en el nivel predefinido deseado.
- El valor de presión en el modo de baja presión es fijo y no puede ajustarse.
- El inflador se apagará automáticamente en el nivel PSI objetivo deseado que haya programado en el ajuste de PSI objetivo.
- El inflador tiene una tolerancia de -5 PSI y se apagará automáticamente en consecuencia.
- Si la presión actual del artículo que está inflando es superior al PSI objetivo, el inflador no se encenderá.

9.2 DETENCIÓN DE LA MÁQUINA

1. Suelte el gatillo para apagar la máquina.

▲ AVISO

Suelte el gatillo y deje que la máquina se detenga por completo.

10 MANTENIMIENTO

▲ AVISO

Retire la batería de la máquina antes de realizar tareas de mantenimiento.

▲ AVISO

No utilice disolventes o detergentes fuertes en la carcasa o los componentes de plástico.

10.1 LIMPIEZA DE LA MÁQUINA

▲ PRECAUCIÓN

La máquina debe estar seca. La humedad supone un riesgo de descargas eléctricas.

- Quite el material no deseado del respiradero con un aspirador.
- No pulverice el respiradero ni lo introduzca en disolventes.
- Limpie la carcasa y los componentes de plástico con un paño húmedo y suave.

11 DATOS TÉCNICOS

Tensión	24 V
Presión de trabajo (máx.)	160 PSI
Peso sin batería	4.34 lbs. (1.97 kg)
Manguera de aire (alta presión)	80 cm
Manguera de aire (baja presión)	42 cm
Modelo de batería	BAG708 y otras series BAG
Modelo de cargador	CAG801 y otras series CAG

El intervalo de temperatura ambiente recomendado:

Elemento	Temperatura
Intervalo de temperatura de almacenamiento de la máquina	32°F (0°C) - 113°F (45°C)
Intervalo de temperatura de funcionamiento de la máquina	32°F (0°C) - 113°F (45°C)
Intervalo de temperatura de carga de la batería	39°F (4°C) - 104°F (40°C)

Elemento	Temperatura
Intervalo de temperatura de funcionamiento del cargador	39°F (4°C) - 104°F (40°C)
Intervalo de temperatura de almacenamiento de la batería	32°F (0°C) - 113°F (45°C)
Intervalo de temperatura de descarga de la batería	32°F (0°C) - 113°F (45°C)

12 SOLUCIÓN DE PROBLEMAS

Problema	Posible causa	Solución
El inflador no funciona.	El ventilador ha dejado de funcionar para proteger los circuitos inter-nos.	Apague el inflador, espere a que la herramienta y la batería se enfríen y vuelva a encender la herramienta.
	La batería se ha agotado.	Cargue la batería.
La máquina echa humo durante el funcionamiento.	La máquina ha sufrido daños.	<ol style="list-style-type: none"> 1. Detenga la máquina inmediatamente. 2. Retire la batería. 3. Contacte con el centro de servicio.

13 GARANTÍA LIMITADA



Por la presente Greenworks garantiza este producto, al comprador original con el comprobante de compra, durante un periodo de tres (3) años frente a defectos en materiales, piezas o mano de obra. A su entera discreción Greenworks reparará o sustituirá cualquiera y todas las piezas que resulten ser defectuosas, con un uso normal, sin coste alguno para el cliente. Esta garantía es válida únicamente para unidades que se hayan utilizado para uso personal que no han sido compradas o alquiladas para uso industrial/comercial y cuyo mantenimiento se ha realizado de acuerdo con las instrucciones del manual del propietario suministrado con el producto nuevo.

ARTÍCULOS NO CUBIERTOS POR LA GARANTÍA:

1. Cualquier pieza que no funcione debido a mal uso, uso comercial, abuso, negligencia, accidente, mantenimiento inadecuado o alteración; o
2. La unidad, si no ha sido utilizada o mantenida de acuerdo con el manual del propietario; o
3. Desgaste normal;
4. Artículos de mantenimiento de rutina tales como lubricantes, afilado de cuchillas;
5. Deterioro normal del acabado exterior debido al uso o la exposición.

LÍNEA DE ASISTENCIA TELEFÓNICA:

Puede contactar con el servicio de garantía llamando a nuestra línea de asistencia telefónica gratuita a 1-888-909-6757.

COSTES DE TRANSPORTE:

Los costes de transporte por el desplazamiento de cualquier unidad o accesorio de equipos eléctricos son responsabilidad del comprador. Es responsabilidad del comprador pagar los costes de transporte de cualquier pieza enviada para su sustitución bajo esta garantía, a menos que dicha devolución sea solicitada por escrito por Greenworks.

Dirección en EE.UU.:

Greenworks Tools
P.O. Box 1238

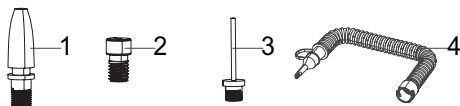
Mooresville, NC 28115

Dirección en Canadá:

Greenworks Tools Canada, Inc.
P.O. Box 93095, Newmarket,
Ontario

L3Y 8K3

14 VISTA DESPIEZADA



N.º	N.º pieza	Cant.	Descripción
1	R0201948-00	1	Boquilla para botes
2	R0201950-00	1	Adaptador de válvula Presta
3	R0201949-00	1	Aguja para deportes
4	R0201951-00	1	Manguera de aire (baja presión)

