

greenworks

FN24A01

EN	PORTABLE FAN	OPERATOR MANUAL
FR	VENTILATEUR PORTABLE	MANUEL D'OPÉRATEUR
ES	VENTILADOR PORTÁTIL	MANUAL DEL OPERADOR



PAG401

www.greenworkstools.com

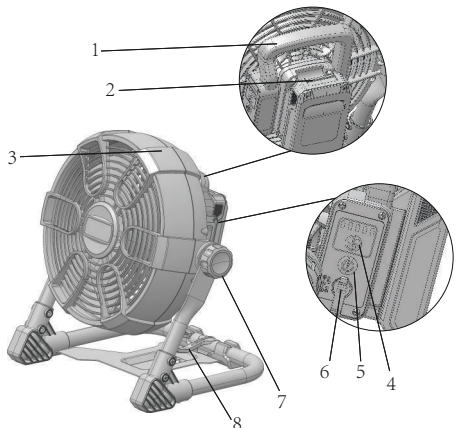
1	Description.....	4	7	Environmentally safe battery disposal.....	7
1.1	Purpose.....	4	8	Installation.....	7
1.2	Overview.....	4	8.1	Unpack the machine.....	7
1.3	Packing list.....	4	8.2	Install the battery pack.....	8
2	General power tool safety warnings.....	4	8.3	Remove the battery pack.....	8
2.1	Portable fan safety warnings.....	4	9	Operation.....	8
2.2	Work area safety.....	5	9.1	Start the machine.....	8
2.3	Electrical safety.....	5	9.2	Stop the machine.....	8
2.4	Personal safety.....	5	9.3	Adjust the speed.....	8
2.5	Power tool use and care.....	5	9.4	Swivel the light head.....	9
2.6	Battery tool use and care.....	6	10	Maintenance.....	9
2.7	Service.....	6	10.1	Clean the machine.....	9
3	Symbols on the product.....	6	11	Technical data.....	9
4	Risk levels.....	6	12	Limited warranty.....	10
5	Child safety.....	6	13	Exploded view.....	10
6	Proposition 65.....	7			

1 DESCRIPTION

1.1 PURPOSE

The portable fan is intended for general ventilation of most household, jobsite, or garage spaces. Do not use the product in any way other than those stated for intended use.

1.2 OVERVIEW



- | | |
|---------------------------|---------------------------|
| 1 Auxiliary handle | 5 ON/OFF button |
| 2 Battery Release Button | 6 DC Port |
| 3 Adjustable head | 7 Knob (tighten / loosen) |
| 4 Speed adjustment button | 8 S Hook |

1.3 PACKING LIST

- | | |
|-----------|---------------|
| 1. Fan | 3. Manual |
| 2. S Hook | 4. AC Adapter |

2 GENERAL POWER TOOL SAFETY WARNINGS

▲ WARNING

Read all safety warnings, instructions, illustrations and specifications provided with this power tool. Failure to follow all instructions listed below may result in electric shock, fire and/or serious injury.

Save all warnings and instructions for future reference.

The term "power tool" in the warnings refers to your mains-operated (corded) power tool or BATTERY-operated (cordless) power tool.

2.1 PORTABLE FAN SAFETY WARNINGS

- Do not insert foreign objects into this product.
- Servicing of a product requires extreme care and knowledge of the system, and should be done only by a qualified service personnel. Replacement parts for a product must be identical to those parts in the product.
- Store product indoors when not in use.
- Keep out of reach of children.
- Do not clean this product with a water sprayer or the like. Follow manufacturers cleaning instructions.
- Disconnect the battery pack from the portable fan before making any adjustments, changing accessories, or storing power tools, etc.
- Do not permit children to use the portable fan; it is not a toy. Children can unintentionally hurt themselves or other persons.
- Dress properly. Do not wear loose clothing or jewelry. Contain long hair. Keep your hair, clothing, and gloves away from moving parts. Loose clothes, jewelry, or long hair can be caught in moving parts.
- Avoid accidental starting. Be sure switch is in the off position before inserting battery pack.
- Carrying the portable fan with your finger on the switch or inserting the battery pack into a portable fan with the switch on invites accidents.
- Do not overreach. Keep proper footing and balance at all times. Proper footing and balance enable better control of the fan in unexpected situations.
- Do not use on a ladder or unstable support. Stable footing on a solid surface enables better control of the portable fan in unexpected situations.
- Do not place portable fans or their batteries near fire or heat. This will reduce the risk of explosion and possibly injury.
- Do not crush, drop or damage battery pack. Do not use a battery pack or charger that has been dropped or received a sharp blow. A damaged battery is subject to explosion. Properly dispose of a dropped or damaged battery immediately.
- Do not incinerate the battery even if it is severely damaged. The batteries can explode in a fire..
- To reduce the risk of fire or electric shock, do not use this portable fan with any solid-state speed control device.
- Not for use in kitchens.
- For general ventilating use only. Do not use to exhaust hazardous or explosive materials and vapors.
- The portable fan is ruggedly constructed. It should, however, be handled with care.
- Store idle power tools out of the reach of children and do not allow persons unfamiliar with the power tool or these instructions to operate the power tool. Power tools are dangerous in the hands of untrained users.

- **Have your power tool serviced by a qualified repair person using only identical replacement parts. This will ensure that the safety of the power tool is maintained.**
- **Battery disposal should be in compliance with the local regulations that address the disposal of hazardous materials, and do not incinerate battery pack.**

2.2 WORK AREA SAFETY

- **Keep work area clean and well lit. Cluttered or dark areas invite accidents.**
- **Do not operate power tools in explosive atmospheres, such as in the presence of flammable liquids, gases or dust. Power tools create sparks which may ignite the dust or fumes.**
- **Keep children and bystanders away while operating a power tool. Distractions can cause you to lose control.**

2.3 ELECTRICAL SAFETY

- **Power tool plugs must match the outlet. Never modify the plug in any way. Do not use any adapter plugs with earthed (grounded) power tools. Unmodified plugs and matching outlets will reduce risk of electric shock.**
- **Avoid body contact with earthed or grounded surfaces, such as pipes, radiators, ranges and refrigerators. There is an increased risk of electric shock if your body is earthed or grounded.**
- **Do not expose power tools to rain or wet conditions. Water entering a power tool will increase the risk of electric shock.**
- **Do not abuse the cord. Never use the cord for carrying, pulling or unplugging the power tool. Keep cord away from heat, oil, sharp edges or moving parts. Damaged or entangled cords increase the risk of electric shock.**
- **When operating a power tool outdoors, use an extension cord suitable for outdoor use. Use of a cord suitable for outdoor use reduces the risk of electric shock.**
- **If operating a power tool in a damp location is unavoidable, use a RESIDUAL CURRENT DEVICE (RCD) protected supply. Use of an RCD reduces the risk of electric shock.**

2.4 PERSONAL SAFETY

- **Stay alert, watch what you are doing and use common sense when operating a power tool. Do not use a power tool while you are tired or under the influence of drugs, alcohol or medication. A moment of inattention while operating power tools may result in serious personal injury.**
- **Prevent unintentional starting. Ensure the switch is in the off position before connecting to power source and/or battery pack picking up or carrying the tool. Carrying power tools with your finger on the switch or**

energizing power tools that have the switch on invites accidents.

- **Remove any adjusting key or wrench before turning the power tool on. A wrench or a key left attached to a rotating part of the power tool may result in personal injury.**
- **Do not over-reach. Keep proper footing and balance at all times. This enables better control of the power tool in unexpected situations.**
- **Dress properly. Do not wear loose clothing or jewelry. Keep your hair, clothing and gloves away from moving parts. Loose clothes, jewelry or long hair can be caught in moving parts.**
- **If devices are provided for the connection of dust extraction and collection facilities, ensure these are connected and properly used. Use of dust collection can reduce dust related hazards.**
- **Do not let familiarity gained from frequent use of tools allow you to become complacent and ignore tool safety principles. A careless action can cause severe injury within a fraction of a second.**

2.5 POWER TOOL USE AND CARE

- **Do not force the power tool. Use the correct power tool for your application. The correct power tool will do the job better and safer at the rate for which it was designed.**
- **Do not use the power tool if the switch does not turn it on and off. Any power tool that cannot be controlled with the switch is dangerous and must be repaired.**
- **Disconnect the plug from the power source and/or remove the BATTERY pack, if detachable, from the power tool before making any adjustments, changing accessories, or storing power tools. Such preventive safety measures reduce the risk of starting the power tool accidentally.**
- **Store idle power tools out of the reach of children and do not allow persons unfamiliar with the power tool or these instructions to operate the power tool. Power tools are dangerous in the hands of untrained users.**
- **Maintain power tools and accessories. Check for misalignment or binding of moving parts, breakage of parts and any other condition that may affect the power tool's operation. If damaged, have the power tool repaired before use. Many accidents are caused by poorly maintained power tools.**
- **Use the power tool, accessories and tool bits etc. in accordance with these instructions, taking into account the working conditions and the work to be performed. Use of the power tool for operations different from those intended could result in a hazardous situation.**
- **Keep handles and grasping surfaces dry, clean and free from oil and grease. Slippery handles and grasping surfaces do not allow for safe handling and control of the tool in unexpected situations.**

2.6 BATTERY TOOL USE AND CARE

- **Recharge only with the charger specified by the manufacturer.** *A charger that is suitable for one type of battery pack may create a risk of fire when used with another battery pack.*
- **Use power tools only with specifically designated battery packs.** *Use of any other battery packs may create a risk of injury and fire.*
- **When battery pack is not in use, keep it away from other metal objects like paper clips, coins, keys, nails, screws, or other small metal objects that can make a connection from one terminal to another.** *Shorting the battery terminals together may cause burns or fire.*
- **Under abusive conditions, liquid may be ejected from the battery; avoid contact. If contact accidentally occurs, flush with water. If liquid contacts eyes, additionally seek medical help.** *Liquid ejected from the battery may cause irritation or burns.*
- **Do not use a battery pack or tool that is damaged or modified.** *Damaged or modified batteries may exhibit unpredictable behavior resulting in fire, explosion or risk of injury.*
- **Do not expose a battery pack or tool to fire or excessive temperature.** *Exposure to fire or temperature above 130 °C may cause explosion.*
- **Follow all charging instructions and do not charge the battery pack or tool outside the temperature range specified in the instructions.** *Charging improperly or at temperatures outside the specified range may damage the battery and increase the risk of fire.*




2.7 SERVICE

- **Have your power tool serviced by a qualified repair person using only identical replacement parts.** *This will ensure that the safety of the power tool is maintained.*
- **Never service damaged battery packs.** *Service of battery packs should only be performed by the manufacturer or authorized service providers.*

3 SYMBOLS ON THE PRODUCT




Some of the following symbols may be used on this tool. Please study them and learn their meaning. Proper interpretation of these symbols will allow you to operate the tool better and safer.

Symbol	Explanation
V	Voltage
A	Current
Hz	Frequency (cycles per second)
Wh	Energy Storage Capacity
Ah	Current Capacity
— — —	Direct current

Symbol	Explanation
	Safety alert
	Read and understand all instructions before operating the product, and follow all warnings and safety instructions.
	Do not expose the product to rain or moist conditions.

4 RISK LEVELS

The following signal words and meanings are intended to explain the levels of risk associated with this product.

SYM-BOL	SIGNAL	MEANING
	DANGER	Indicates an imminently hazardous situation, which, if not avoided, will result in death or serious injury.
	WARNING	Indicates a potentially hazardous situation, which, if not avoided, could result in death or serious injury.
	CAUTION	Indicates a potentially hazardous situation, which, if not avoided, may result in minor or moderate injury.
	CAUTION	(Without Safety Alert Symbol) Indicates a situation that may result in property damage.

5 CHILD SAFETY

Tragic accidents can occur if the operator is not aware of the presence of children.

- Keep children out of the working area and under the watchful care of a responsible adult.
- Do not allow children under the age of 14 to operate this machine. Children who are 14 years of age and older must read and understand the operating instructions and safety rules in this manual and must be trained and supervised by a parent.
- Stay alert, and turn the machine off if a child or any other person enters the working area.
- Use extreme care when approaching blind corners, doorways, shrubs, trees, or other objects that may obscure your view of a child who may run into the path of the machine.

6 PROPOSITION 65

▲ WARNING

This product contains a chemical known to the state of California to cause cancer, birth defects or other reproductive harm. Some dust created by power sanding, sawing, grinding, drilling, and other construction activities contains chemicals known to cause cancer, birth defects or other reproductive harm. Some examples of these chemicals are:

- Lead from lead-based paints;
- Crystalline silica from bricks and cement and other masonry products;
- Arsenic and chromium from chemically treated lumber.

Your risk of exposure to these chemicals varies depending on how often you do this type of work. To reduce your exposure to these chemicals, work in a well-ventilated area, and work with approved safety equipment, such as dust masks that are specially designed to filter out microscopic particles.

Save these instructions.

7 ENVIRONMENTALLY SAFE BATTERY DISPOSAL



The toxic and corrosive materials below are in the batteries used in this machine: **Lithium-Ion, a toxic material.**

▲ WARNING

Discard all toxic materials in a specified manner to prevent contamination of the environment. Before discarding damaged or worn out Li-ion battery, contact your local waste disposal agency, or the local Environmental Protection Agency for information and specific instructions. Take the batteries to a local recycling and/or disposal center, certified for lithium-ion disposal.

▲ WARNING

If the battery pack cracks or breaks, with or without leaks, do not recharge it and do not use. Discard it and replace with a new battery pack. **DO NOT TRY TO REPAIR IT!** To prevent injury and risk of fire, explosion, or electric shock, and to avoid damage to the environment:

- Cover the terminals of the battery with heavy-duty adhesive tape.
- **DO NOT** try to remove or destroy any of the battery pack components.
- **DO NOT** try to open the battery pack.
- If a leak develops, the released electrolytes are corrosive and toxic. **DO NOT** get the solution in the eyes or on skin, and do not swallow it.
- **DO NOT** put these batteries in your regular household trash.
- **DO NOT** incinerate.
- **DO NOT** put them where they will become part of any waste landfill or municipal solid waste stream.
- Take them to a certified recycling or disposal center.

8 INSTALLATION

8.1 UNPACK THE MACHINE

▲ WARNING

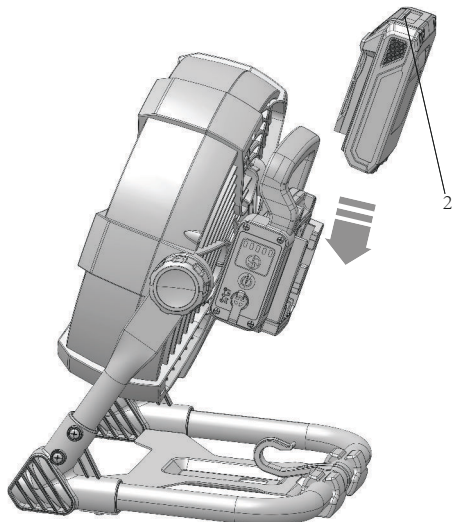
Make sure that you correctly assemble the machine before use.

▲ WARNING

- If parts of the machine are damaged, do not use the machine.
- If you do not have all the parts, do not operate the machine.
- If parts are damaged or missing, contact the service center.

1. Open the package.
2. Read the documentation provided in the box.
3. Remove all the unassembled parts from the box.
4. Remove the machine from the box.
5. Discard the box and packing material in compliance with local regulations.

8.2 INSTALL THE BATTERY PACK



▲ WARNING

- If the battery pack or charger is damaged, replace the battery pack or the charger.
- Stop the machine and wait until the motor stops before you install or remove the battery pack.
- Read, know, and follow the instructions in the battery and charger manual.

1. Align the lift ribs on the battery pack with the grooves in the battery compartment.
2. Push the battery pack into the battery compartment until the battery pack locks into place.
3. When you hear a click, the battery pack is installed.

8.3 REMOVE THE BATTERY PACK

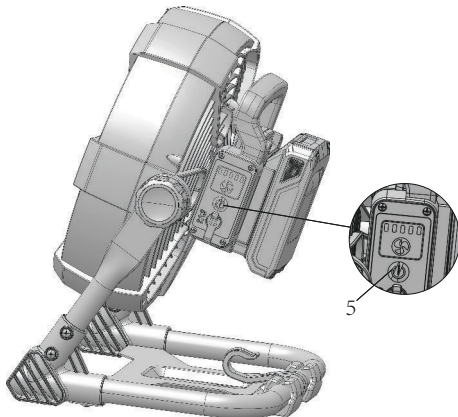
1. Push and hold the battery release button.
2. Remove the battery pack from the machine.

9 OPERATION

▲ WARNING

Do not use any attachments or accessories not recommended by the manufacturer of this product.

9.1 START THE MACHINE



1. Install the battery pack or connect to the AC power supply
2. Press the ON/OFF switch to turn the machine on. The machine will be turned on at lowest speed.
3. To turn it OFF, press the ON/OFF button again.

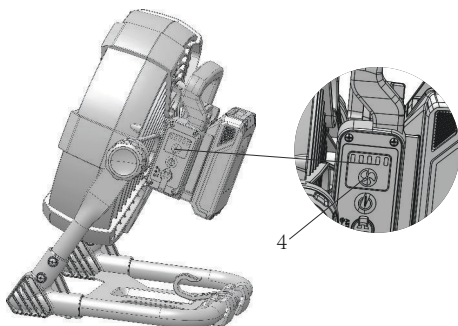
▲ WARNING

- Do not continue to press the ON/OFF button after the jobsite fan has automatically switched off. The battery can be damaged.
- S hook can be used for hanging. Be careful not to hang the fan in such a way that it prevents normal fan operation.

9.2 STOP THE MACHINE

1. Press the ON/OFF switch to turn the machine off.

9.3 ADJUST THE SPEED



Lights	Speed level
One green light	Speed one - 665CFM

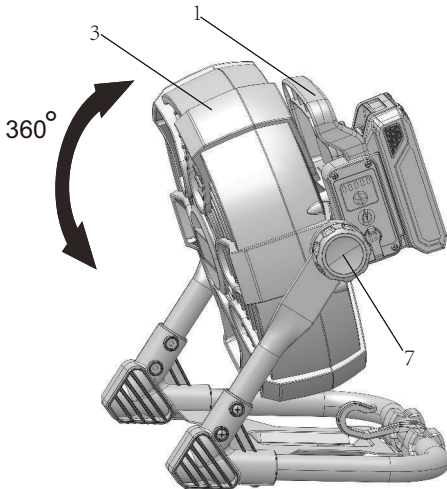
Lights	Speed level
Two green lights	Speed two - 676CFM
Three green lights	Speed three - 719CFM
Four green lights	Speed four - 763CFM
Five green lights	Speed five - 785CFM

- The portable fan has five speeds. Push the speed adjustment button to adjust the speed. The lights will illuminate according to the speed level.
- The tool will be turned on at lowest speed. To increase the speed, press the speed adjustment button.

i NOTE

- The portable fan has a memory function. It will remember the speed when you turn off the tool.

9.4 SWIVEL THE LIGHT HEAD



- Hold the auxiliary handle and unlock the right and left knobs.
- Turn the adjustable head to the necessary position.
- Tighten the knobs.

10 MAINTENANCE

▲ WARNING

Remove the battery pack from the machine before maintenance.

▲ WARNING

Do not use strong solvents or detergents on the plastic housing or components.

10.1 CLEAN THE MACHINE

▲ CAUTION

The machine must be dry. Humidity can cause risks of electrical shocks.

- Clear the unwanted material out of the air vent with a vacuum cleaner.
- Do not spray the air vent or put the air vent in solvents.
- Clean the housing and the plastic components with a moist and soft cloth.

11 TECHNICAL DATA

Voltage	24 V
Switch	5 Speeds
Speed Range	665 - 785 CFM
Rotation angle	360°
Weight without battery	2.45 kg
Load Speed	1600-2600 min ⁻¹
Fan Blade	10 "
Battery model	BAG708 and other BAG series
Charger model	CAG801 and other CAG series

The recommended ambient temperature range:

Item	Temperature
Appliance storage temperature range	32°F (0°C) - 158°F (70°C)
Appliance operation temperature range	32°F (0°C) - 104°F (40°C)
Battery charging temperature range	39°F (4°C) - 104°F (40°C)
Charger operation temperature range	39°F (4°C) - 104°F (40°C)
Battery storage temperature range	32°F (0°C) - 73°F (23°C)
Battery discharging temperature range	32°F (0°C) - 113°F (45°C)

12 LIMITED WARRANTY



Greenworks hereby warranties this product, to the original purchaser with proof of purchase, for a period of three (3) years against defects in materials, parts or workmanship. Greenworks, at its own discretion, will repair or replace any and all parts found to be defective, through normal use, free of charge to the customer. This warranty is valid only for units which have been used for personal use that have not been purchased or rented for industrial/commercial use, and that have been maintained in accordance with the instructions in the owners' manual supplied with the product when new.

ITEMS NOT COVERED BY WARRANTY:

1. Any part that has become inoperative due to misuse, commercial use, abuse, neglect, accident, improper maintenance, or alteration; or
2. The unit, if it has not been operated and/or maintained in accordance with the owner's manual; or
3. Normal wear;
4. Routine maintenance items such as lubricants, blade sharpening;
5. Normal deterioration of the exterior finish due to use or exposure.

HELPLINE:

Warranty service is available by calling our toll-free helpline at 1-888-909-6757.

TRANSPORTATION CHARGES:

Transportation charges for the movement of any power equipment unit or attachment are the responsibility of the purchaser. It is the purchaser's responsibility to pay transportation charges for any part submitted for replacement under this warranty unless such return is requested in writing by Greenworks.

USA address:

Greenworks Tools
P.O. Box 1238

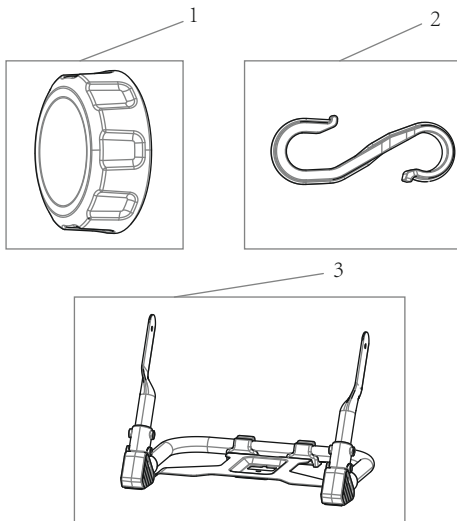
Mooresville, NC 28115

Canadian address:

Greenworks Tools Canada, Inc.
P.O. Box 93095, Newmarket,
Ontario

L3Y 8K3

13 EXPLODED VIEW



No.	Item No.	QTY	Description
1.	R0201996-00	2	Knob
2.	R0201998-00	1	S Hook
3.	R0201999-00	1	Bracket

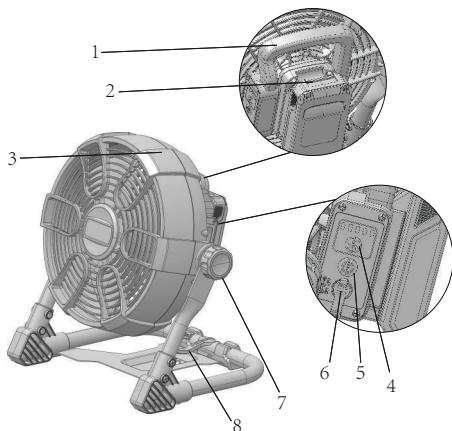
1	Description.....	12	7	Élimination des batteries sans danger pour l'environnement.....	15
1.1	But.....	12	8	Installation.....	16
1.2	Aperçu.....	12	8.1	Déballer la machine.....	16
1.3	Liste du contenu de l'emballage.....	12	8.2	Installer le bloc-batterie.....	16
2	Avertissements généraux de sécurité des outils électriques.....	12	8.3	Retirez la batterie.....	16
2.1	Avertissements de sécurité du ventilateur portable.....	12	9	Utilisation.....	16
2.2	Sécurité de la zone de travail.....	13	9.1	Démarrer la machine.....	17
2.3	Sécurité électrique.....	13	9.2	Arrêtez la machine.....	17
2.4	Sécurités des personnes.....	13	9.3	Démarrer la machine.....	17
2.5	Utilisation et entretien des outils électriques... 13		9.4	Faites pivoter la tête d'éclairage.....	17
2.6	Utilisation et entretien de l'outil à batterie.....	14	10	Entretien.....	18
2.7	Service.....	14	10.1	Nettoyez la machine.....	18
3	Symboles figurant sur la machine.	14	11	Données techniques.....	18
4	Niveaux de risques.....	15	12	Garantie limitée.....	18
5	Sécurité des enfants.....	15	13	Vue éclatée.....	19
6	Proposition 65.....	15			

1 DESCRIPTION

1.1 BUT

Le ventilateur portable est destiné à la ventilation générale de la plupart des espaces domestiques, de chantier ou de garage. N'utilisez pas le produit d'une manière autre que celles indiquées pour l'usage prévu.

1.2 APERÇU



- | | |
|------------------------------------|-------------------------------|
| 1 Poignée auxiliaire | 5 Bouton MARCHE/ARRÊT |
| 2 Bouton d'éjection de la batterie | 6 Port DC |
| 3 Tête ajustable | 7 Bouton (serrer / desserrer) |
| 4 Bouton de réglage de la vitesse | 8 Crochet en S |

1.3 LISTE DU CONTENU DE L'EMBALLAGE

- | | |
|-----------------|------------------|
| 1. Ventilateur | 3. Manuel |
| 2. Crochet en S | 4. Adaptateur CA |

2 AVERTISSEMENTS GÉNÉRAUX DE SÉCURITÉ DES OUTILS ÉLECTRIQUES

▲ AVERTISSEMENT

Lisez tous les avertissements de sécurité, toutes les instructions, illustrations et toutes spécifications fournis avec cet outil électrique. *Le non-respect de ces instructions peut entraîner un choc électrique, un incendie et/ou des blessures graves.*

Conservez tous les avertissements et instructions pour référence ultérieure.

Le terme « outil électrique » dans les avertissements se réfère à votre outil électrique alimenté (avec fil) ou à votre outil électrique (sans fil) fonctionnant sur BATTERIE.

2.1 AVERTISSEMENTS DE SÉCURITÉ DU VENTILATEUR PORTABLE

- N'insérez pas d'objets étrangers dans ce produit.
- L'entretien d'un produit nécessite un soin et une connaissance extrêmes du système et ne doit être effectué que par un technicien qualifié. Les pièces de rechange d'un produit doivent être identiques à celles du produit.
- Stockez le produit à l'intérieur lorsqu'il n'est pas utilisé.
- Gardez hors de la portée des enfants.
- Ne nettoyez pas ce produit avec un jet d'eau ou similaire. Suivez les instructions de nettoyage du fabricant.
- Débranchez la batterie du ventilateur portable avant d'effectuer des réglages, de changer d'accessoires ou de ranger des outils électriques, etc.
- Ne laissez pas les enfants utiliser le ventilateur portable; ce n'est pas un jouet. Les enfants peuvent involontairement se heurtés eux-mêmes ou d'autres personnes.
- Habillez-vous correctement. Ne portez pas de vêtements amples ou de bijoux. Attachez les cheveux longs. Veillez à ne pas approcher vos cheveux, vos vêtements et vos gants des pièces en mouvement. Les vêtements amples, les bijoux et les cheveux longs peuvent se prendre dans les pièces en mouvement.
- Évitez les démarrages accidentels. Assurez-vous que l'interrupteur est éteint lorsque vous installez le bloc-batterie.
- Porter le ventilateur portable avec votre doigt sur l'interrupteur ou insérer la batterie dans un ventilateur portable avec l'interrupteur en marche provoque des accidents.
- Ne vous penchez pas trop en avant. Gardez un bon équilibre en tout temps. Une bonne assise et un bon équilibre permettent un meilleur contrôle du ventilateur dans des situations inattendues.
- Ne l'utilisez pas sur une échelle ou un support instable. Une assise stable sur une surface solide permet un meilleur contrôle du ventilateur portable dans des situations inattendues.
- Ne placez pas les ventilateurs portables ou leurs piles à proximité d'un feu ou d'une source de chaleur. Cela réduira le risque d'explosion et d'éventuelles blessures.
- Ne pas écraser, faire tomber ou abîmer le bloc-batterie. N'utilisez pas un bloc-batterie ou un chargeur qui a tombé ou qui a reçu des coups. Une batterie abîmée pourrait exploser. Débarrassez-vous immédiatement d'une batterie qui est tombée ou abîmée.

- N'incinerez pas la batterie même s'il est extrêmement endommagé. Les batteries peuvent exploser dans le feu.
- Pour réduire le risque d'incendie ou d'électrocution, n'utilisez pas ce ventilateur portable avec un dispositif de contrôle de vitesse à semi-conducteurs.
- Ne l'utilisez pas dans les cuisines.
- Pour un usage général de ventilation uniquement. Ne l'utilisez pas pour évacuer des matières et vapeurs dangereuses ou explosives.
- Le ventilateur portable est de construction robuste. Il doit cependant être manipulé avec précaution.
- Rangez les outils électriques inutilisés hors de portée des enfants et ne laissez pas des personnes qui ne se sont pas familiarisées avec l'outil électrique ou ces instructions l'utiliser. Les outils électriques sont dangereux entre les mains des utilisateurs non formés.
- Faites effectuer l'entretien de votre outil électrique par un réparateur qualifié en n'utilisant que des pièces de rechange identiques. Cela garantit le maintien de la sécurité de l'outil électrique.
- L'élimination des batteries doit être conforme aux réglementations locales concernant l'élimination des matières dangereuses et ne pas incinérer la batterie.

2.2 SÉCURITÉ DE LA ZONE DE TRAVAIL

- Gardez la zone de travail propre et bien éclairée. Les endroits encombrés ou sombres favorisent les accidents.
- N'utilisez pas les outils électriques dans des environnements explosifs, par exemple en présence de liquides, gaz ou poussières inflammables. La mise en marche des outils électriques crée des étincelles qui peuvent enflammer la poussière ou les vapeurs.
- Tenez les enfants et les curieux à l'écart lorsque vous utilisez un outil électrique. Les distractions peuvent vous faire perdre le contrôle.

2.3 SÉCURITÉ ÉLECTRIQUE

- Les prises de l'outil électrique doivent être compatibles avec la prise de courant. Ne modifiez jamais la prise d'aucune façon. N'utilisez pas d'adaptateur de prise avec des outils à prise de terre. Des prises non modifiées et leurs prises de courant respectives réduisent les risques de choc électrique.
- Évitez que le corps n'entre en contact avec des surfaces mises à la terre comme les tuyaux, les radiateurs, les cuisinières et les réfrigérateurs. Il y a un risque accru de choc électrique si votre corps est en contact avec la terre.
- N'exposez pas les outils électriques à des conditions humides ou mouillées. L'eau qui pénètre dans un outil électrique augmente le risque de choc électrique.
- N'abusez pas du cordon. N'utilisez jamais le câble pour porter, tirer ou débrancher l'outil. Éloignez le cordon de la chaleur, de l'huile, des bords tranchants

ou des pièces mobiles. Les cordons endommagés augmentent le risque d'un choc électrique.

- Lorsque vous utilisez un outil électrique en extérieur, utilisez une rallonge de câble adaptée à l'usage en extérieur. Utiliser un câble adapté à un usage en extérieur réduit le risque de choc électrique.
- Si vous ne pouvez éviter d'utiliser l'outil dans un environnement humide, utilisez une alimentation protégée à courant différentiel. Le respect de cette règle réduira le risque de chocs électriques.

2.4 SÉCURITÉS DES PERSONNES

- Restez vigilant, soyez attentif à ce que vous faites et faites preuve de bon sens lorsque vous utilisez un outil électrique. N'utilisez pas l'appareil lorsque vous êtes fatigué, sous l'emprise de l'alcool ou de drogues ou après avoir pris des médicaments. Un moment d'inattention lors de l'utilisation d'un outil électrique peut provoquer des blessures corporelles graves.
- Évitez tout démarrage accidentel. Assurez-vous que l'interrupteur est en position d'arrêt avant de brancher l'outil à la source d'alimentation ou à la batterie et quand vous soulevez ou transportez l'outil. Transporter un outil électrique avec un doigt sur l'interrupteur ou le brancher sur une alimentation électrique alors que son interrupteur est en position marche favorise les accidents.
- Retirez les clefs de réglage et de serrage avant de mettre l'outil en marche. Une clef de réglage ou de serrage restée sur une pièce en rotation de l'outil électrique peut entraîner des blessures corporelles.
- Ne vous penchez pas trop en avant. Gardez un bon équilibre en tout temps. Ceci permet un meilleur contrôle de l'outil électrique dans des situations inattendues.
- Habillez-vous correctement. Ne portez pas de vêtements amples ou de bijoux. Veillez à ne pas approcher vos cheveux, vos vêtements et vos gants des pièces en mouvement. Les vêtements amples, les bijoux et les cheveux longs peuvent se prendre dans les pièces en mouvement.
- Si un appareil est conçu pour être utilisé avec des dispositifs d'extraction et de récupération des poussières, veillez à ce que ces dispositifs soient bien raccordés et correctement utilisés. L'utilisation de dispositifs de récupération des poussières permet de réduire les risques liés aux poussières.
- Ne laissez pas l'habitude des fréquentes utilisations vous faire oublier et ignorer les principes de sécurité. Une action négligente peut provoquer de graves blessures en une fraction de seconde.

2.5 UTILISATION ET ENTRETIEN DES OUTILS ÉLECTRIQUES

- Ne forcez pas l'outil électrique. Utilisez l'outil électrique adapté à votre application. L'outil

électrique approprié fera mieux le travail et sera plus sécuritaire au rythme pour lequel il a été conçu.

- **N'utilisez pas l'outil électrique si l'interrupteur ne le met pas en marche ou à l'arrêt.** *Tout outil électrique qui ne peut pas être contrôlé avec l'interrupteur est dangereux et doit être réparé.*
- **Débranchez la prise de la source d'alimentation et/ou retirez le bloc-BATTERIE de l'outil électrique, si amovible, avant d'effectuer des réglages, de changer d'accessoire ou de ranger l'outil.** *De telles mesures de sécurité préventives réduisent le risque d'un démarrage accidentel de l'outil électrique.*
- **Rangez les outils électriques inutilisés hors de portée des enfants et ne laissez pas des personnes qui ne se sont pas familiarisées avec l'outil électrique ou ces instructions l'utiliser.** *Les outils électriques sont dangereux entre les mains des utilisateurs non formés.*
- **Entretenez les outils électriques et les accessoires.** *Vérifier qu'aucune pièce mobile n'est mal alignée, grippée ou brisée et soyez attentif à toute autre condition qui pourrait affecter le fonctionnement de l'outil électrique. Si il est endommagé, faites réparer l'outil électrique avant de l'utiliser. De nombreux accidents sont causés par des outils électriques mal entretenus.*
- **Utilisez l'outil électrique, les accessoires, les mèches, etc. conformément à ces instructions, en tenant compte des conditions de travail et des travaux à effectuer.** *L'utilisation de l'outil motorisé pour des opérations différentes de celles prévues pourrait entraîner une situation dangereuse.*
- **Veillez à ce que les poignées restent propres, sèches et exemptes d'huile et de graisse.** *Les poignées et surfaces de prise glissantes ne permettent pas de manipuler et de contrôler l'outil dans des situations inattendues.*

2.6 UTILISATION ET ENTRETIEN DE L'OUTIL À BATTERIE

- **Rechargez uniquement avec le chargeur spécifié par le fabricant.** *Un chargeur adapté à un type de bloc-batterie peut créer un risque d'incendie lorsqu'il est utilisé avec un autre bloc-batterie.*
- **Utilisez les outils électriques uniquement avec des batteries spécialement conçues à cet effet.** *L'utilisation de tous autres bloc-batteries peut créer un risque de blessure et d'incendie.*
- **Lorsque la batterie n'est pas utilisée, éloignez-la des autres objets métalliques tels qu'attaches trombones, pièces de monnaie, clés, clous, vis ou autres petits objets métalliques qui peuvent établir une connexion d'une borne à une autre.** *Le court-circuitage des bornes de la batterie peut provoquer des brûlures ou un incendie.*
- **Dans des conditions abusives, du liquide peut être éjecté de la batterie. Évitez tout contact. En cas de contact accidentel, rincez avec de l'eau. En cas de contact avec les yeux, consultez également un médecin.** *Le liquide s'échappant de la batterie peut causer des irritations ou des brûlures.*





- **N'utilisez pas un bloc-batterie ou un outil endommagé ou modifié.** *Les batteries endommagées ou modifiées peuvent présenter un fonctionnement imprévisible et provoquer un incendie, une explosion ou un risque de blessure.*
- **N'exposez pas un bloc-batterie ou un outil au feu ou à une température excessive.** *L'exposition au feu ou une température supérieure à 130°C peut provoquer une explosion.*
- **Suivez toutes les instructions de recharge et ne rechargez pas la batterie ou l'outil en dehors de la plage de température spécifiée dans ces instructions.** *Un rechargement incorrect ou à des températures en dehors de la plage spécifiée peut endommager la batterie et augmenter le risque d'incendie.*

2.7 SERVICE

- **Faites effectuer l'entretien de votre outil électrique par un réparateur qualifié en n'utilisant que des pièces de rechange identiques.** *Cela garantira le maintien de la sécurité de l'outil électrique.*
- **Ne réparez jamais un bloc-batterie endommagé.** *L'entretien d'un bloc-batterie ne doit être effectué que par le fabricant ou des fournisseurs de service agréés.*




3 SYMBOLES FIGURANT SUR LA MACHINE

Certains des symboles suivants peuvent être utilisés sur cet outil. Veuillez les étudier et apprendre leur signification. Une bonne interprétation de ces symboles vous permettra de mieux utiliser l'outil et de manière plus sécuritaire.

Symbole	Explication
V	Voltage
A	Courant
Hz	Fréquence (cycles par seconde)
Wh	Capacité de stockage d'énergie
Ah	Capacité actuelle
	Courant direct
	Alerte de sécurité
	Lisez et comprenez toutes les instructions avant d'utiliser cette machine, et suivez tous les avertissements et les signes de sécurité.
	Ne pas exposer la machine à la pluie ou à l'humidité.

4 NIVEAUX DE RISQUES

Les termes de mise en garde suivants et leur signification ont pour but d'expliquer les niveaux de risques associés à l'utilisation de ce produit.

SYM-BOLE	SIGNAL	SIGNIFICATION
	DANGER	Indique une situation dangereuse imminente qui, si elle n'est pas évitée, peut entraîner la mort ou des blessures graves.
	AVERTISSEMENT	Indique une situation potentiellement dangereuse qui, si elle n'est pas évitée, peut entraîner la mort ou des blessures graves.
	MISE EN GARDE	Indique une situation potentiellement dangereuse qui, si elle n'est pas évitée, pourrait causer des blessures mineures ou modérées.
	MISE EN GARDE	(Sans symbole d'alerte de sécurité) indique une situation pouvant entraîner des dommages matériels.

5 SÉCURITÉ DES ENFANTS

Des accidents tragiques peuvent se produire si l'opérateur n'est pas au courant de la présence des enfants.

- Éloignez les enfants de la zone de travail et placez-les sous la surveillance d'un adulte responsable.
- Ne laissez pas un enfant de moins de 14 ans utiliser cette machine. Les enfants de 14 ans et plus doivent lire et comprendre les instructions d'utilisation et les règles de sécurité contenues dans ce manuel et doivent être formés et supervisés par un parent.
- Restez vigilant et éteignez la machine si un enfant ou une autre personne entre dans la zone de travail.
- Soyez extrêmement prudent lorsque vous vous approchez d'un angle mort, d'une porte, d'un arbuste, d'un arbre ou de tout autre objet qui pourrait masquer la vue d'un enfant qui pourrait se heurter à la machine.

6 PROPOSITION 65

▲ AVERTISSEMENT

Ce produit contient un produit chimique connu dans l'état de Californie comme étant une cause de cancer, de malformations congénitales ou d'autres problèmes de reproduction. Certaines poussières produites par le ponçage mécanique, le sciage, le meulage, le perçage et d'autres activités de construction contiennent des produits chimiques connus pour causer le cancer, des malformations congénitales ou d'autres problèmes de reproduction. Voici quelques exemples de ces produits chimiques :

- Plomb provenant de peintures à base de plomb;
- Silice cristalline provenant de briques, de ciment et d'autres produits de maçonnerie;
- Arsenic et chrome provenant de bois traité chimiquement.

Votre risque d'exposition à ces produits chimiques varie selon la fréquence à laquelle vous faites ce type de travail. Pour réduire votre exposition à ces produits chimiques, travaillez dans un endroit bien ventilé et utilisez un équipement de sécurité approuvé, comme des masques anti-poussière spécialement conçus pour filtrer les particules microscopiques.

Conservez ces instructions.

7 ÉLIMINATION DES BATTERIES SANS DANGER POUR L'ENVIRONNEMENT



Les matières toxiques et corrosives ci-dessous se trouvent dans les batteries utilisées dans cette machine : **Lithium-ion, une substance toxique.**

▲ AVERTISSEMENT

Éliminez toutes les substances toxiques d'une manière spécifiée afin de prévenir la contamination de l'environnement. Avant de jeter une batterie au lithium-ion endommagée ou usée, contactez votre agence locale d'élimination des déchets ou l'agence locale de protection de l'environnement pour obtenir des informations et des instructions spécifiques. Apportez les batteries à un centre local de recyclage ou d'élimination certifié pour l'élimination de batteries au lithium-ion.

▲ AVERTISSEMENT

Si la batterie se fend ou se brise, avec ou sans fuites, ne la rechargez pas et ne l'utilisez pas. Jetez-la et remplacez-la par une nouvelle batterie. **N'ESSAYEZ PAS DE LA RÉPARER !** Pour prévenir les blessures et les risques d'incendie, d'explosion ou de décharge électrique, et pour éviter tout dommage à l'environnement :

- Couvrez les bornes de la batterie avec du ruban adhésif résistant.
- **NE PAS** essayer d'enlever ou de détruire les composants de la batterie.
- **NE PAS** essayer d'ouvrir ou de réparer la batterie.
- En cas de fuite, les électrolytes rejetés sont corrosifs et toxiques. **NE laissez PAS** entrer la solution dans les yeux ou en contact avec la peau et ne l'avalez pas.
- **NE PAS** jeter vos batteries usagées dans votre poubelle à ordures ménagères.
- **N'incinerez PAS** les batteries.
- **NE LES Mettez PAS** dans un endroit où ils feront partie d'un site d'enfouissement de déchets ou d'un flux de déchets solides municipaux.
- Emmenez-les dans un centre de recyclage ou d'élimination certifié.

8 INSTALLATION

8.1 DÉBALLER LA MACHINE

▲ AVERTISSEMENT

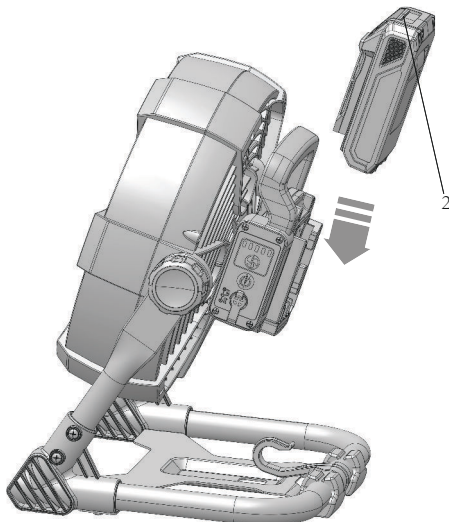
Assurez-vous d'assembler correctement la machine avant de l'utiliser.

▲ AVERTISSEMENT

- Si les pièces de la machine sont endommagées, ne l'utilisez pas.
- Si vous n'avez pas toutes les pièces, n'utilisez pas la machine.
- Si des pièces sont endommagées ou manquantes, communiquez avec le centre de service.

1. Ouvrez l'emballage.
2. Lisez la documentation contenue dans la boîte.
3. Retirez toutes les pièces non assemblées de la boîte.
4. Retirez la machine de sa boîte.
5. Jetez la boîte et l'emballage conformément aux règlements locaux.

8.2 INSTALLER LE BLOC-BATTERIE



▲ AVERTISSEMENT

- Si le bloc-batterie ou le chargeur est endommagé, remplacez-le, au besoin.
- Arrêtez la machine et attendez que le moteur s'arrête avant d'installer ou de retirer le bloc-batterie.
- Lisez, comprenez et suivez les instructions du manuel du bloc-batterie et du chargeur.

1. Alignez les languettes du bloc-batterie avec les rainures du compartiment de batterie.
2. Poussez le bloc-batterie dans le compartiment de batterie jusqu'à ce qu'il soit bien encliqueté.
3. Vous devriez entendre un clic lorsque le bloc-batterie sera inséré correctement.

8.3 RETIREZ LA BATTERIE

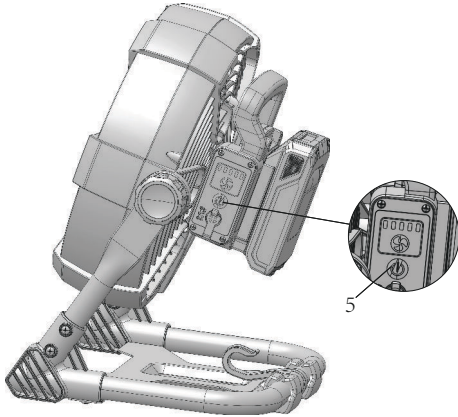
1. Poussez et maintenez enfoncé le bouton de déblocage de la batterie.
2. Retirez la batterie de la machine.

9 UTILISATION

▲ AVERTISSEMENT

N'utilisez pas d'autres pièces ou d'accessoires non recommandés par le fabricant de ce produit.

9.1 DÉMARRER LA MACHINE



1. Installez la batterie ou connectez-vous à l'alimentation secteur
2. Appuyez sur l'interrupteur ON / OFF pour allumer la machine. La machine sera mise en marche à la vitesse la plus basse.
3. Pour l'éteindre, appuyez à nouveau sur le bouton MARCHE / ARRÊT.

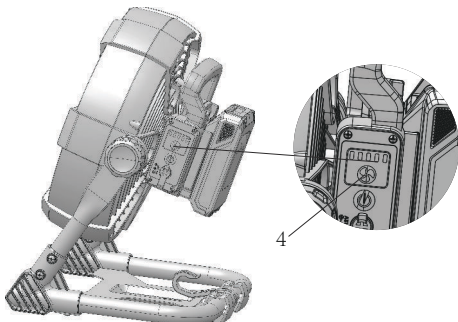
▲ AVERTISSEMENT

- Ne continuez pas à appuyer sur le bouton MARCHE / ARRÊT après l'arrêt automatique de la machine. La batterie peut être endommagée.
- Le crochet en S peut être utilisé pour accrocher. Veillez à ne pas suspendre le ventilateur de manière à empêcher son fonctionnement normal.

9.2 ARRÊTEZ LA MACHINE

1. Appuyez sur l'interrupteur ON / OFF pour éteindre la machine.

9.3 DÉMARRER LA MACHINE



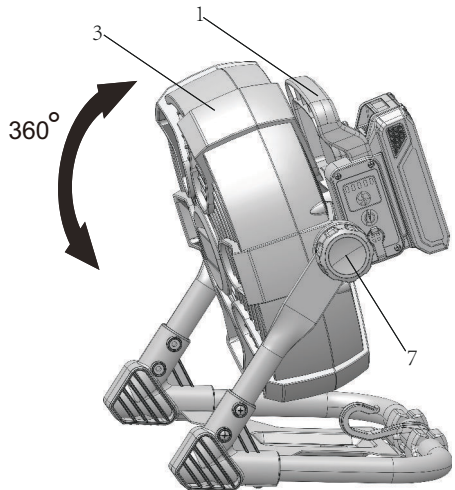
Lumières	Niveau de la vitesse
Une lumière verte	Vitesse un - 665CFM
Deux lumières vertes	Vitesse deux - 676CFM
Trois lumières vertes	Vitesse trois - 719CFM
Quatre lumières vertes	Vitesse quatre - 763CFM
Cinq lumières vertes	Vitesse cinq - 785CFM

1. Le ventilateur portable a cinq vitesses. Appuyez sur le bouton d'ajustement pour régler la vitesse. Les voyants s'allument en fonction du niveau de vitesse.
2. L'outil sera mise en marche à la vitesse la plus basse. Pour augmenter la vitesse, appuyez sur le bouton de réglage de la vitesse.

i REMARQUE

- Le ventilateur portable a une fonction de mémoire. Il se souviendra de la vitesse lorsque vous éteignez l'outil.

9.4 FAITES PIVOTER LA TÊTE D'ÉCLAIRAGE



1. Tenez la poignée auxiliaire et déverrouillez les boutons droit et gauche.
2. Tournez la tête réglable dans la position nécessaire.
3. Serrez les boutons.

10 ENTRETIEN

▲ AVERTISSEMENT

Retirez le bloc-batterie de la machine avant l'entretien.

▲ AVERTISSEMENT

N'utilisez pas de solvants ou de détergents puissants sur le boîtier ou les composants en plastique.

10.1 NETTOYEZ LA MACHINE

▲ ATTENTION

La machine doit être sèche. L'humidité peut provoquer des risques de chocs électriques.

- Enlevez les matières indésirables de l'évent d'air à l'aide d'un aspirateur.
- Ne vaporisez pas l'évent d'air et ne le plongez pas dans des solvants.
- Nettoyez le boîtier et les composants en plastique avec un chiffon doux et humide.

11 DONNÉES TECHNIQUES

Voltage	24 V
Interrupteur	5 vitesses
Plage de vitesse	665 - 785 CFM
Angle de rotation	360°
Poids sans batterie	2.45 kg
Vitesse de charge	1600-2600 min ⁻¹
Pale de ventilateur	10 "
Batterie modèle	BAG708 et autres BAGséries
Chargeur modèle	CAG801 et autres CAGséries

La plage de température ambiante recommandée :

Article	Température
Plage de température d'entreposage de l'appareil	32°F (0°C) - 158°F (70°C)
Plage de température de fonctionnement de l'appareil	32°F (0°C) - 104°F (40°C)
Plage de température de rechargement de la batterie	39°F (4°C) - 104°F (40°C)
Plage de température de fonctionnement du chargeur	39°F (4°C) - 104°F (40°C)
Plage de température d'entreposage de la batterie	32°F (0°C) - 73°F (23°C)

Article	Température
Plage de température de déchargement de la batterie	32°F (0°C) - 113°F (45°C)

12 GARANTIE LIMITÉE



Greenworks garantit par la présente ce produit, à l'acheteur original avec preuve d'achat, pour une période de trois (3) ans contre tout défaut de matériaux, de pièces ou de main-d'œuvre. Greenworks, à sa propre discrétion, réparera ou remplacera toutes les pièces défectueuses, dans des conditions normales d'utilisation, sans frais pour le client. Cette garantie n'est valable que pour les appareils qui ont été utilisés à des fins personnelles, qui n'ont pas été loués à des fins industrielles ou commerciales et qui ont été entretenus conformément aux instructions du manuel du propriétaire fourni avec le produit neuf.

ARTICLES NON COUVERTS PAR LA GARANTIE :

1. Toute pièce qui est devenue inopérante en raison d'une mauvaise utilisation, d'une utilisation commerciale, d'un abus, d'une négligence, d'un accident, d'un entretien inapproprié ou d'une modification; ou
2. L'appareil, s'il n'a pas été utilisé et/ou entretenu conformément au manuel du propriétaire; ou
3. Usure normale;
4. Articles d'entretien courant tels que lubrifiants, affûtage des lames;
5. Détérioration normale du fini extérieur due à l'utilisation ou à l'exposition.

ASSISTANCE TÉLÉPHONIQUE :

Le service de garantie est accessible en appelant notre ligne d'assistance téléphonique sans frais, au 1-888-909-6757.

FRAIS DE TRANSPORT :

Les frais de transport pour le déplacement de tout équipement motorisé ou accessoire sont à la charge de l'acheteur. Il incombe à l'acheteur de payer les frais de transport pour toute pièce retournée pour remplacement en vertu de la présente garantie, à moins qu'un tel retour soit demandé par écrit par Greenworks.

Adresse aux États-Unis : Adresse au Canada :

Greenworks Tools

Greenworks Tools Canada Inc.

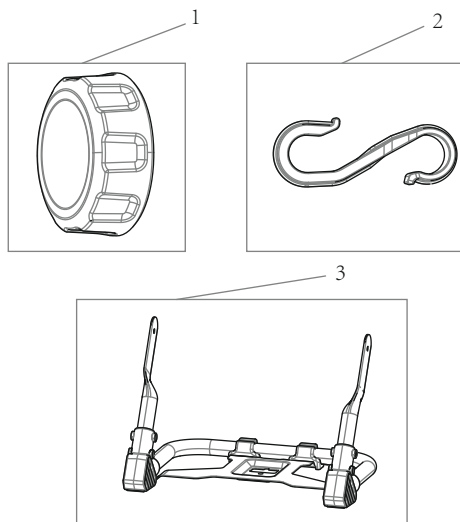
P.O. Box 1238

P.O. Box 93095, Newmarket,
Ontario

Mooreville, NC 28115

L3Y 8K3

13 VUE ÉCLATÉE



No	No de réf.	QTÉ	Description
1.	R0201996-00	2	Bouton
2.	R0201998-00	1	Crochet en S
3.	R0201999-00	1	Support

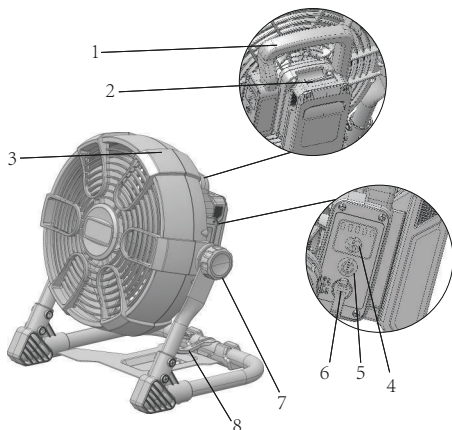
1	Descripción.....	21	5	Seguridad infantil.....	24
1.1	Finalidad.....	21	6	Propuesta 65.....	24
1.2	Perspectiva general.....	21	7	Eliminación de batería segura para el medio ambiente.....	24
1.3	Lista de embalaje.....	21	8	Instalación.....	25
2	Advertencias generales de seguridad para herramientas eléctricas.....	21	8.1	Desembalaje de la máquina.....	25
2.1	Advertencias de seguridad para ventiladores portátiles.....	21	8.2	Instalación de la batería.....	25
2.2	Seguridad de la zona de trabajo.....	22	8.3	Retirada de la batería.....	25
2.3	Seguridad eléctrica.....	22	9	Funcionamiento.....	25
2.4	Seguridad personal.....	22	9.1	Puesta en marcha de la máquina.....	26
2.5	Utilización y cuidado de herramientas eléctricas.....	22	9.2	Detención de la máquina.....	26
2.6	Utilización y cuidado de herramientas a batería.....	23	9.3	Puesta en marcha de la máquina.....	26
2.7	Servicio.....	23	9.4	Inclinación de la luz delantera.....	27
3	Símbolos en el producto.....	23	10	Mantenimiento.....	27
4	Niveles de riesgo.....	24	10.1	Limpieza de la máquina.....	27
			11	Datos técnicos.....	27
			12	Garantía limitada.....	27
			13	Vista despiezada.....	28

1 DESCRIPCIÓN

1.1 FINALIDAD

El ventilador portátil se ha diseñado para la ventilación general de la mayoría de los espacios domésticos, laborales o de garaje. No utilice el producto de ninguna otra forma que no sea la indicada para su uso previsto.

1.2 PERSPECTIVA GENERAL



- | | |
|----------------------------------|-------------------------------|
| 1 Asa auxiliar | 5 Botón de encendido/ apagado |
| 2 Botón de desbloqueo de batería | 6 Puerto CC |
| 3 Cabezal ajustable | 7 Mando (apretar / aflojar) |
| 4 Botón de ajuste de velocidad | 8 Gancho en S |

1.3 LISTA DE EMBALAJE

- | | |
|----------------|-----------------|
| 1. Ventilador | 3. Manual |
| 2. Gancho en S | 4. Adaptador CA |

2 ADVERTENCIAS GENERALES DE SEGURIDAD PARA HERRAMIENTAS ELÉCTRICAS

▲ AVISO

Lea todas las advertencias de seguridad, instrucciones, ilustraciones y especificaciones que se proporcionan con esta herramienta eléctrica. *El incumplimiento de las instrucciones indicadas a continuación puede provocar descargas eléctricas, incendios o lesiones graves.*

Guarde todas las advertencias e instrucciones para su consulta posterior.

El término "herramienta eléctrica" empleado en las advertencias se refiere a su herramienta eléctrica con funcionamiento de red (con cable) o herramienta eléctrica con funcionamiento a BATERÍA (inalámbrica).

2.1 ADVERTENCIAS DE SEGURIDAD PARA VENTILADORES PORTÁTILES

- No introduzca objetos extraños en este producto.
- Las tareas de servicio de un producto exigen un cuidado extremo y un buen conocimiento del sistema y únicamente debe realizarlas personal de servicio cualificado. Las piezas de repuesto para el producto deben ser idénticas a las piezas del producto.
- Guarde el producto en interior cuando no lo utilice.
- Mantenga fuera del alcance de los niños.
- No limpie este producto con un pulverizador de agua o similar. Siga las instrucciones de limpieza del fabricante.
- Desconecte la batería del ventilador portátil antes de realizar ajustes, cambiar accesorios o almacenar herramientas eléctricas, etc.
- No permita que los niños utilicen el ventilador portátil; no es un juguete. Los niños pueden hacerse daño accidentalmente a sí mismos o a otras personas.
- Lleve indumentaria adecuada. No lleve ropa o joyas sueltas. Recójase el cabello largo. Mantenga el cabello, la ropa y los guantes lejos de las piezas móviles. La ropa suelta, las joyas o el cabello largo pueden quedar atrapados en las piezas móviles.
- Evite la puesta en marcha accidental. Asegúrese de que el interruptor esté en la posición de apagado antes de insertar la batería.
- El transporte del ventilador portátil con el dedo en el interruptor o la introducción de la batería en un ventilador portátil con el interruptor activado fomenta los accidentes.
- No se estire. Mantenga en todo momento una postura adecuada y el equilibrio. El mantenimiento de una postura adecuada y el equilibrio le permitirá un mejor control del ventilador en situaciones inesperadas.
- No utilice sobre una escalera o un soporte inestable. El mantenimiento de una postura estable sobre una superficie sólida permite un mejor control del ventilador portátil en situaciones inesperadas.
- No coloque los ventiladores portátiles ni sus baterías cerca del fuego o el calor. Esto reducirá el riesgo de explosión y posibles lesiones.
- No aplaste, deje caer ni dañe la batería. No utilice una batería o un cargador que se haya caído o recibido un golpe fuerte. Una batería dañada podría explotar. Deseche inmediatamente y de forma adecuada una batería caída o dañada.
- No incinere la batería incluso si está gravemente dañada. Las baterías pueden explotar en un incendio.

- Para reducir el riesgo de incendio o descarga eléctrica, no utilice este ventilador portátil con ningún dispositivo de control de velocidad de estado sólido.
- No es adecuado para su uso en cocinas.
- Únicamente para uso de ventilación general. No lo utilice para extraer materiales y vapores peligrosos o explosivos.
- El ventilador portátil tiene una estructura robusta. No obstante, debe manipularse con cuidado.
- Almacene las herramientas eléctricas inactivas fuera del alcance de los niños y no permita que personas que no estén familiarizadas con la herramienta eléctrica o estas instrucciones puedan utilizarla. Las herramientas eléctricas son peligrosas en manos de usuarios inexpertos.
- Solicite a un técnico de reparación cualificado que realice las tareas de servicio de su herramienta eléctrica utilizando únicamente piezas de repuesto idénticas. Esto garantizará el mantenimiento de la seguridad de la herramienta eléctrica.
- La eliminación de la batería debe cumplir con los reglamentos locales en materia de eliminación de materiales peligrosos; no debe incinerarse la batería.

2.2 SEGURIDAD DE LA ZONA DE TRABAJO

- Mantenga limpia y bien iluminada la zona de trabajo. *Las zonas desordenadas u oscuras fomentan los accidentes.*
- No utilice herramientas eléctricas en atmósferas explosivas, como en la presencia de líquidos, gases o polvo que puedan inflamarse. *Las herramientas eléctricas generan chispas que pueden encender el polvo o los gases.*
- Mantenga alejados a los niños y los transeúntes mientras utilice una herramienta eléctrica. *Las distracciones pueden hacer que pierda el control.*

2.3 SEGURIDAD ELÉCTRICA

- Los enchufes de las herramientas eléctricas deben corresponder con la toma de corriente. Nunca modifique el enchufe en modo alguno. No utilice enchufes adaptadores con herramientas eléctricas conectadas a tierra. *La utilización de enchufes no modificados y de tomas de corriente adecuadas reducirá el riesgo de descarga eléctrica.*
- Evite el contacto del cuerpo con superficies conectadas a tierra, como tuberías, radiadores, estufas y refrigeradores. *Existe un riesgo aumentado de descarga eléctrica si su cuerpo está conectado a tierra.*
- No exponga las herramientas eléctricas a la lluvia o a condiciones de humedad. *Si penetra agua en una herramienta eléctrica, aumentará el riesgo de descarga eléctrica.*
- No abuse del cable. Nunca utilice el cable para transportar, tirar o desenchufar la herramienta

eléctrica. Mantenga el cable alejado del calor, el aceite, los bordes afilados o las piezas móviles. *Los cables dañados o enredados aumentan el riesgo de descarga eléctrica.*

- Cuando utilice una herramienta eléctrica en exteriores, use un cable alargador adecuado para uso en exterior. *La utilización de un cable adecuado para uso en exterior reduce el riesgo de descarga eléctrica.*
- Si no es inevitable el uso de una herramienta eléctrica en un lugar húmedo, utilice un suministro protegido por un DISPOSITIVO DE CORRIENTE RESIDUAL (RCD). *La utilización de un RCD reduce el riesgo de descarga eléctrica.*

2.4 SEGURIDAD PERSONAL

- Manténgase alerta, observe lo que está haciendo y emplee el sentido común cuando utilice una herramienta eléctrica. No utilice una herramienta eléctrica mientras esté cansado o bajo la influencia de drogas, alcohol o medicamentos. *Un momento de inatención durante el uso de herramientas eléctricas puede provocar lesiones personales graves.*
 - Evite el arranque accidental. Asegúrese de que el interruptor esté en la posición de apagado antes de conectar a la fuente de alimentación o a la batería y al coger o transportar la herramienta. *El transporte de herramientas eléctricas con el dedo en el interruptor o la conexión de herramientas eléctricas que tienen el interruptor activado fomenta los accidentes.*
 - Retire cualquier llave de ajuste antes de encender la herramienta eléctrica. *Una llave que se quede fijada a una pieza giratoria de la herramienta eléctrica puede provocar lesiones personales.*
 - No se estire. Mantenga en todo momento una postura adecuada y el equilibrio. *Esto permite un mejor control de la herramienta eléctrica en situaciones inesperadas.*
 - Lleve indumentaria adecuada. No lleve ropa o joyas sueltas. Mantenga el cabello, la ropa y los guantes lejos de las piezas móviles. *La ropa suelta, las joyas o el cabello largo pueden quedar atrapados en las piezas móviles.*
 - Si se utilizan dispositivos para la conexión de sistemas de extracción y recogida de polvo, asegúrese de que estén conectados y se utilicen correctamente. *La utilización de sistemas de recogida de polvo puede reducir los riesgos relacionados con el polvo.*
 - No permita que la familiaridad adquirida con el uso frecuente de las herramientas le permita ser confiado e ignorar los principios de seguridad de las herramientas. *Una acción descuidada puede provocar lesiones graves en una fracción de segundo.*
- ## 2.5 UTILIZACIÓN Y CUIDADO DE HERRAMIENTAS ELÉCTRICAS
- No fuerce la herramienta eléctrica. Utilice la herramienta eléctrica correcta para su aplicación. *La herramienta eléctrica correcta hará el trabajo mejor y*

con mayor seguridad a la velocidad para la que se diseñó.

- **No utilice la herramienta eléctrica si el interruptor no la enciende y la apaga.** Cualquier herramienta eléctrica que no pueda controlarse con el interruptor es peligrosa y debe repararse.
- **Desconecte el enchufe de la fuente de alimentación o retire la BATERÍA, si es extraíble, de la herramienta eléctrica antes de realizar ajustes, cambiar accesorios o almacenar herramientas eléctricas.** Estas medidas de seguridad preventivas reducen el riesgo de que la herramienta eléctrica se arranque accidentalmente.
- **Almacene las herramientas eléctricas inactivas fuera del alcance de los niños y no permita que personas que no estén familiarizadas con la herramienta eléctrica o estas instrucciones puedan utilizarla.** Las herramientas eléctricas son peligrosas en manos de usuarios inexpertos.
- **Mantenga las herramientas eléctricas y los accesorios.** Compruebe si hay desalineación o unión de las piezas móviles, rotura de piezas y cualquier otra condición que pueda afectar al funcionamiento de la herramienta eléctrica. Si ha sufrido daños, lleve a reparar la herramienta eléctrica antes del uso. *Numerosos accidentes se deben a herramientas eléctricas mal mantenidas.*
- **Utilice la herramienta eléctrica, los accesorios, las brocas, etc. de acuerdo con estas instrucciones, teniendo en cuenta las condiciones de trabajo y el trabajo a realizar.** *El uso de la herramienta eléctrica para operaciones distintas de las previstas podría dar lugar a una situación peligrosa.*
- **Mantenga las asas y las superficies de agarre secas, limpias y sin restos de aceite y grasa.** *Las asas y las superficies de agarre resbaladizas no permiten un manejo y control seguros de la herramienta en situaciones inesperadas.*

2.6 UTILIZACIÓN Y CUIDADO DE HERRAMIENTAS A BATERÍA

- **Recargue solo con el cargador especificado por el fabricante.** *Un cargador adecuado para un tipo de batería puede dar lugar a un riesgo de incendio cuando se usa con otra batería.*
- **Utilice las herramientas eléctricas únicamente con las baterías designadas específicamente.** *El uso de cualquier otra batería puede dar lugar a un riesgo de lesiones e incendio.*
- **Cuando la batería no esté en uso, manténgala alejada de otros objetos metálicos como clips, monedas, llaves, clavos, tornillos u otros objetos metálicos pequeños que puedan hacer una conexión entre los terminales.** *El cortocircuito de los terminales de la batería puede provocar quemaduras o incendios.*
- **Bajo condiciones abusivas, es posible que salga líquido despedido de la batería; evite el contacto. Si se produce un contacto accidental, aclare con agua. Si el líquido entra en contacto con los ojos, acuda también**

al médico. *El líquido despedido de la batería puede provocar irritación o quemaduras.*

- **No utilice una batería o una herramienta que haya sufrido daños o modificaciones.** *Las baterías dañadas o modificadas pueden exhibir un comportamiento impredecible que puede dar lugar a un incendio, una explosión o un riesgo de lesiones.*
- **No exponga una batería o una herramienta al fuego ni a temperatura excesiva.** *La exposición al fuego o a una temperatura superior a 130°C puede provocar una explosión.*
- **Siga todas las instrucciones de carga y no cargue la batería o la herramienta fuera del intervalo de temperatura especificado en las instrucciones.** *La carga incorrecta o a temperaturas fuera del intervalo especificado puede dañar la batería y aumentar el riesgo de incendio.*

2.7 SERVICIO

- **Solicite a un técnico de reparación cualificado que realice las tareas de servicio de su herramienta eléctrica utilizando únicamente piezas de repuesto idénticas.** *Esto garantizará el mantenimiento de la seguridad de la herramienta eléctrica.*
- **Nunca repare las baterías dañadas.** *La reparación de las baterías únicamente debe ser realizada por el fabricante o los proveedores de servicio técnico autorizados.*

3 SÍMBOLOS EN EL PRODUCTO

En esta herramienta pueden utilizarse algunos de los siguientes símbolos. Le rogamos que los estudie y aprenda su significado. La interpretación correcta de estos símbolos le permitirá manejar la herramienta mejor y de manera más segura.

Símbolo	Explicación
V	Tensión
A	Corriente
Hz	Frecuencia (ciclos por segundo)
Wh	Capacidad de almacenamiento de energía
Ah	Capacidad de corriente
— — —	Corriente continua
	Alerta de seguridad
	Debe leer y entender todas las instrucciones antes de manejar el producto, así como seguir todas las advertencias e instrucciones de seguridad.
	No exponga el producto a la lluvia o a condiciones de humedad.

4 NIVELES DE RIESGO

Las siguientes indicaciones y significados tienen como fin explicar los niveles de riesgo asociados a este producto.

SÍMBOLO	INDICACIÓN	SIGNIFICADO
	PELIGRO	Indica una situación de peligro inminente que, de no evitarse, provocará lesiones graves o incluso la muerte.
	ADVERTENCIA	Indica una situación de peligro potencial que, de no evitarse, podría provocar lesiones graves o incluso la muerte.
	PRECAUCIÓN	Indica una situación de peligro potencial que, de no evitarse, puede provocar lesiones leves o moderadas.
	PRECAUCIÓN	(Sin símbolo de alerta sobre seguridad) Indica una situación que puede provocar daños materiales.

5 SEGURIDAD INFANTIL

Pueden producirse accidentes trágicos si el operario no es consciente de la presencia de niños.

- Mantenga a los niños fuera de la zona de trabajo y bajo la vigilancia de un adulto responsable.
- No permita que niños menores de 14 años utilicen esta herramienta. Los niños de 14 años y mayores deben leer y entender las instrucciones de funcionamiento y las normas de seguridad que se encuentran en este manual y deben recibir formación y supervisión por parte de uno de sus progenitores.
- Manténgase alerta y apague el aparato si un niño o cualquier otra persona entra en la zona de trabajo.
- Tenga mucho cuidado al acercarse a esquinas ciegas, portales, arbustos, árboles u otros objetos que puedan ocultar su visión de un niño que pueda correr hacia el recorrido del aparato.

6 PROPUESTA 65

▲ AVISO

Este producto contiene una sustancia química conocida en el estado de California como causante de cáncer, defectos de nacimiento u otros daños reproductivos. El polvo generado por el lijado eléctrico, el serrado, el esmerilado, la perforación y otras actividades de construcción contiene sustancias químicas que se sabe que son causantes de cáncer, defectos de nacimiento u otros daños reproductivos. Algunos ejemplos de estas sustancias químicas son:

- Plomo de pinturas con base de plomo;
- Sílice cristalina de ladrillos y cemento y otros productos de albañilería;
- Arsénico y cromo de la madera tratada químicamente.

El riesgo de exposición a estas sustancias químicas varía según la frecuencia con la que realice este tipo de trabajo. Para reducir su exposición a estas sustancias químicas, trabaje en una zona bien ventilada y trabaje con equipos de seguridad aprobados, como máscaras antipolvo, que estén especialmente diseñadas para filtrar partículas microscópicas.

Conserve estas instrucciones.

7 ELIMINACIÓN DE BATERÍA SEGURA PARA EL MEDIO AMBIENTE



Los materiales tóxicos y corrosivos que figuran a continuación se encuentran en las baterías utilizadas en esta máquina: **Ion de litio, un material tóxico.**

▲ AVISO

Deseche todos los materiales tóxicos de una manera especificada para evitar la contaminación del medio ambiente. Antes de desechar una batería de ion de litio dañada o agotada, contacte con la agencia local de eliminación de residuos o con la agencia de protección ambiental local para obtener información e instrucciones específicas. Lleve las baterías a un centro de reciclaje o eliminación local, certificado para la eliminación de ion de litio.

▲ AVISO

Si la batería se agrieta o se rompe, con o sin fugas, no la recargue ni la utilice. Deséchela y sustitúyala por una batería nueva. ¡NO INTENTE REPARARLA! Para evitar lesiones y riesgos de incendio, explosión o descarga eléctrica, y para evitar daños al medio ambiente:

- Cubra los terminales de la batería con cinta adhesiva resistente.
- NO intente retirar o destruir ninguno de los componentes de la batería.
- NO intente abrir la batería.
- Si se produce una fuga, los electrolitos liberados son corrosivos y tóxicos. NO deje que la solución entre en contacto con los ojos o la piel, y no la ingiera.
- NO deseche estas baterías con la basura doméstica normal.
- NO incinere.
- NO lleve las baterías a lugares donde formarán parte de vertederos de residuos o flujos de residuos sólidos urbanos.
- Llévelas a un centro de reciclaje o eliminación certificado.

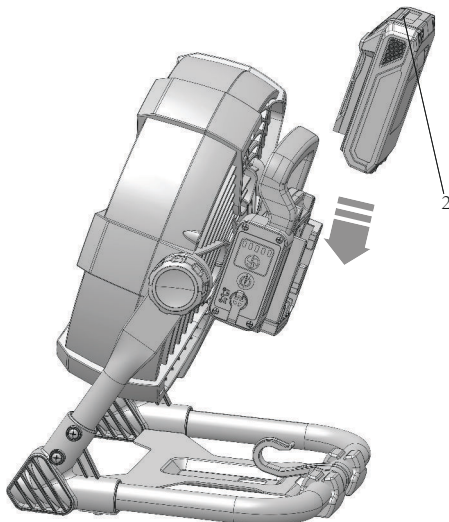
8 INSTALACIÓN**8.1 DESEMBALAJE DE LA MÁQUINA****▲ AVISO**

Asegúrese de montar correctamente la máquina antes del uso.

▲ AVISO

- Si las piezas de la máquina presentan daños, no utilice la máquina.
- Si no tiene todas las piezas, no utilice la máquina.
- Si faltan piezas o hay piezas dañadas, contacte con el centro de servicio.

1. Abra el embalaje.
2. Lea la documentación que se proporciona en la caja.
3. Retire todas las piezas sin montar de la caja.
4. Retire la máquina de la caja.
5. Deseche la caja y el material de embalaje de conformidad con los reglamentos locales.

8.2 INSTALACIÓN DE LA BATERÍA**▲ AVISO**

- Si la batería o el cargador ha sufrido daños, sustituya la batería o el cargador.
- Detenga la máquina y espere hasta que el motor se pare antes de instalar o retirar la batería.
- Debe leer, conocer y seguir las instrucciones del manual de la batería y el cargador.

1. Alinee las nervaduras de elevación de la batería con las ranuras del compartimento de la batería.
2. Introduzca la batería en el compartimento de la batería hasta que encaje en su posición.
3. Cuando escuche un clic, la batería está instalada.

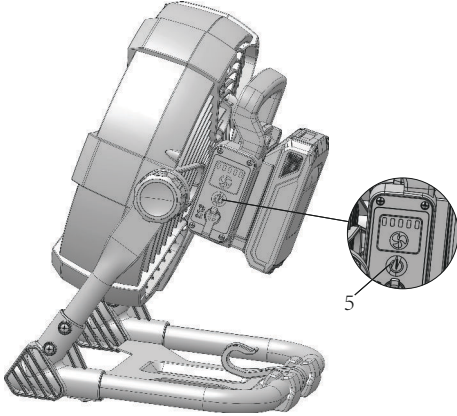
8.3 RETIRADA DE LA BATERÍA

1. Pulse y mantenga pulsado el botón de desbloqueo de la batería.
2. Retire la batería de la máquina.

9 FUNCIONAMIENTO**▲ AVISO**

No utilice ningún accesorio no recomendado por el fabricante de este producto.

9.1 PUESTA EN MARCHA DE LA MÁQUINA



1. Instalación de la batería o conexión a la fuente de alimentación CA
2. Pulse el botón de encendido/apagado para encender la máquina. La máquina se encenderá en la velocidad más baja.
3. Para apagar, pulse de nuevo el botón de encendido/apagado.

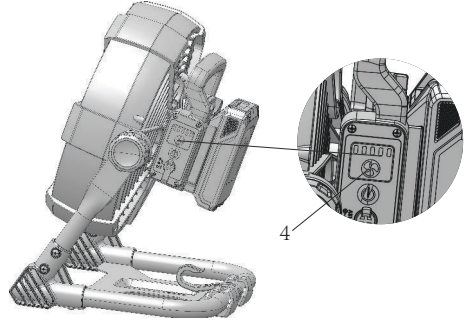
▲ AVISO

- No siga pulsando el botón de encendido/apagado después de que el ventilador del lugar de trabajo se haya apagado automáticamente. La batería puede resultar dañada.
- El gancho en S puede utilizarse para colgar. Tenga cuidado de no colgar el ventilador de modo que se impida el funcionamiento normal del mismo.

9.2 DETENCIÓN DE LA MÁQUINA

1. Pulse el botón de encendido/apagado para apagar la máquina.

9.3 PUESTA EN MARCHA DE LA MÁQUINA



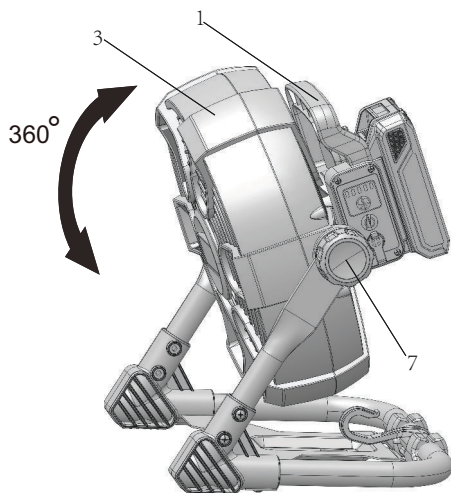
Pilotos	Nivel de velocidad
Un piloto verde	Velocidad uno - 665CFM
Dos pilotos verdes	Velocidad dos - 676CFM
Tres pilotos verdes	Velocidad tres - 719CFM
Cuatro pilotos verdes	Velocidad cuatro - 763CFM
Cinco pilotos verdes	Velocidad cinco - 785CFM

1. El ventilador portátil tiene cinco velocidades. Pulse el botón de ajuste de velocidad para ajustar la velocidad. Los pilotos se iluminarán en función del nivel de velocidad.
2. La herramienta se encenderá en la velocidad más baja. Para aumentar la velocidad, pulse el botón de ajuste de velocidad.

i NOTA

- El ventilador portátil tiene una función de memoria. Recordará la velocidad cuando apague la herramienta.

9.4 INCLINACIÓN DE LA LUZ DELANTERA



1. Sujete el asa auxiliar y desbloquee los mandos derecho e izquierdo.
2. Gire el cabezal ajustable a la posición necesaria.
3. Apriete los mandos.

10 MANTENIMIENTO

▲ AVISO

Retire la batería de la máquina antes de realizar tareas de mantenimiento.

▲ AVISO

No utilice disolventes o detergentes fuertes en la carcasa o los componentes de plástico.

10.1 LIMPIEZA DE LA MÁQUINA

▲ PRECAUCIÓN

La máquina debe estar seca. La humedad supone un riesgo de descargas eléctricas.

- Quite el material no deseado del respiradero con un aspirador.
- No pulverice el respiradero ni lo introduzca en disolventes.
- Limpie la carcasa y los componentes de plástico con un paño húmedo y suave.

11 DATOS TÉCNICOS

Tensión	24 V
Interruptores	5 velocidades
Intervalo de velocidad	665 - 785 CFM
Ángulo de rotación	360°
Peso sin batería	2.45 kg
Velocidad de carga	1600-2600 min ⁻¹
Aspas del ventilador	10 "
Modelo de batería	BAG708 y otras series BAG
Modelo de cargador	CAG801 y otras series CAG

El intervalo de temperatura ambiente recomendado:

Elemento	Temperatura
Intervalo de temperatura de almacenamiento del aparato	32°F (0°C) - 158°F (70°C)
Intervalo de temperatura de funcionamiento del aparato	32°F (0°C) - 104°F (40°C)
Intervalo de temperatura de carga de la batería	39°F (4°C) - 104°F (40°C)
Intervalo de temperatura de funcionamiento del cargador	39°F (4°C) - 104°F (40°C)
Intervalo de temperatura de almacenamiento de la batería	32°F (0°C) - 73°F (23°C)
Intervalo de temperatura de descarga de la batería	32°F (0°C) - 113°F (45°C)

12 GARANTÍA LIMITADA



Por la presente Greenworks garantiza este producto, al comprador original con el comprobante de compra, durante un periodo de tres (3) años frente a defectos en materiales, piezas o mano de obra. A su entera discreción Greenworks reparará o sustituirá cualquiera y todas las piezas que resulten ser defectuosas, con un uso normal, sin coste alguno para el cliente. Esta garantía es válida únicamente para unidades que se hayan utilizado para uso personal que no han sido compradas o alquiladas para uso industrial/comercial y cuyo mantenimiento se ha realizado de acuerdo con las instrucciones del manual del propietario suministrado con el producto nuevo.

ARTÍCULOS NO CUBIERTOS POR LA GARANTÍA:

1. Cualquier pieza que no funcione debido a mal uso, uso comercial, abuso, negligencia, accidente, mantenimiento inadecuado o alteración; o
2. La unidad, si no ha sido utilizada o mantenida de acuerdo con el manual del propietario; o
3. Desgaste normal;
4. Artículos de mantenimiento de rutina tales como lubricantes, afilado de cuchillas;
5. Deterioro normal del acabado exterior debido al uso o la exposición.

LÍNEA DE ASISTENCIA TELEFÓNICA:

Puede contactar con el servicio de garantía llamando a nuestra línea de asistencia telefónica gratuita a 1-888-909-6757.

COSTES DE TRANSPORTE:

Los costes de transporte por el desplazamiento de cualquier unidad o accesorio de equipos eléctricos son responsabilidad del comprador. Es responsabilidad del comprador pagar los costes de transporte de cualquier pieza enviada para su sustitución bajo esta garantía, a menos que dicha devolución sea solicitada por escrito por Greenworks.

Dirección en EE.UU.:

Greenworks Tools
P.O. Box 1238

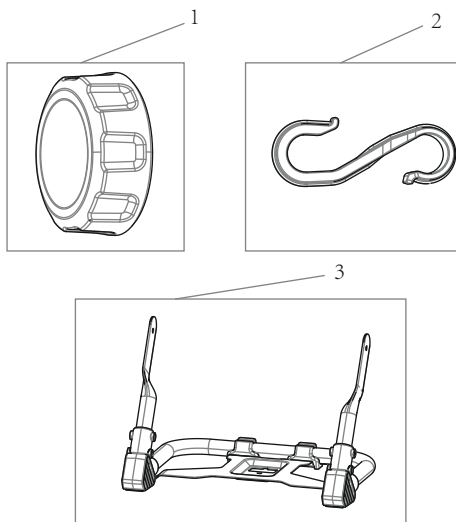
Mooresville, NC 28115

Dirección en Canadá:

Greenworks Tools Canada, Inc.
P.O. Box 93095, Newmarket,
Ontario

L3Y 8K3

13 VISTA DESPIEZADA



Nº	Nº de art.	CAN T.	Descripción
1.	R0201996-00	2	Mando
2.	R0201998-00	1	Gancho en S
3.	R0201999-00	1	Soporte