

# greenworks

**PA441**

EN	GLUE GUN	OPERATOR MANUAL
FR	PISTOLET À COLLE	MANUEL DE L'UTILISATEUR
ES	PISTOLA DE ENCOLADO	MANUAL DEL OPERADOR

**HGG901**[www.greenworkstools.com](http://www.greenworkstools.com)



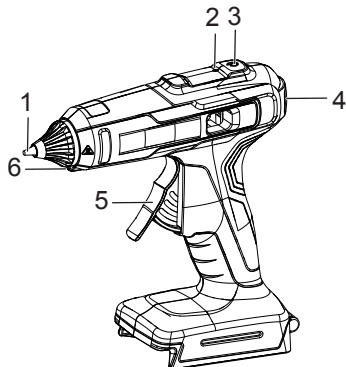
<b>1</b>	<b>Description.....</b>	<b>4</b>	<b>6</b>	<b>Risk levels.....</b>	<b>7</b>
1.1	Purpose.....	4	<b>7</b>	<b>Proposition 65.....</b>	<b>7</b>
1.2	Overview.....	4	<b>8</b>	<b>Installation.....</b>	<b>7</b>
1.3	Packing list.....	4	8.1	Unpack the machine.....	7
<b>2</b>	<b>General power tool safety</b>		8.2	Install the glue stick.....	8
	<b>warnings.....</b>	<b>4</b>	8.3	Install the battery pack.....	8
2.1	Work area safety.....	4	8.4	Remove the battery pack.....	8
2.2	Electrical safety.....	4	<b>9</b>	<b>Operation.....</b>	<b>8</b>
2.3	Personal safety.....	4	9.1	Start the machine.....	8
2.4	Power tool use and care.....	5	9.2	Stop the machine.....	8
2.5	Battery tool use and care.....	5	9.3	LED light.....	9
2.6	Service.....	5	9.4	Apply the hot glue.....	9
<b>3</b>	<b>Safety warnings.....</b>	<b>5</b>	<b>10</b>	<b>Maintenance.....</b>	<b>9</b>
<b>4</b>	<b>Symbols on the product.....</b>	<b>6</b>	10.1	Clean and maintenance.....	9
<b>5</b>	<b>Environmentally safe battery</b>		<b>11</b>	<b>Technical data.....</b>	<b>9</b>
	<b>disposal.....</b>	<b>6</b>	<b>12</b>	<b>Limited warranty.....</b>	<b>9</b>

## 1 DESCRIPTION

### 1.1 PURPOSE

The machine is intended for indoor domestic use. It is used for gluing wood, cardboard, glass, plastic, ceramics and textiles. It is not intended for artisanal, commercial, professional and / or industrial use.

### 1.2 OVERVIEW



- |   |               |   |                  |
|---|---------------|---|------------------|
| 1 | Nozzle        | 4 | Glue stick entry |
| 2 | LED indicator | 5 | Trigger          |
| 3 | On/off switch | 6 | LED Light        |

### 1.3 PACKING LIST

- |   |          |   |        |
|---|----------|---|--------|
| 1 | Glue gun | 2 | Manual |
|---|----------|---|--------|

## 2 GENERAL POWER TOOL SAFETY WARNINGS

### ▲ WARNING

**Read all safety warnings and all instructions. Failure to follow the warnings and instructions may result in electric shock, fire and/or serious injury.**

Save all warnings and instructions for future reference.

The term "power tool" in the warnings refers to your mains-operated (corded) power tool or battery-operated (cordless) power tool.

### 2.1 WORK AREA SAFETY

- **Keep work area clean and well lit. Cluttered or dark areas invite accidents.**
- **Do not operate power tools in explosive atmospheres, such as in the presence of flammable liquids, gases or dust. Power tools create sparks which may ignite the dust or fumes.**

- **Keep children and bystanders away while operating a power tool. Distractions can cause you to lose control.**

### 2.2 ELECTRICAL SAFETY

- **Power tool plugs must match the outlet. Never modify the plug in any way. Do not use any adapter plugs with earthed (grounded) power tools. Unmodified plugs and matching outlets will reduce risk of electric shock.**
- **Avoid body contact with earthed or grounded surfaces, such as pipes, radiators, ranges and refrigerators. There is an increased risk of electric shock if your body is earthed or grounded.**
- **Do not expose power tools to rain or wet conditions. Water entering a power tool will increase the risk of electric shock.**
- **Do not abuse the cord. Never use the cord for carrying, pulling or unplugging the power tool. Keep cord away from heat, oil, sharp edges or moving parts. Damaged or entangled cords increase the risk of electric shock.**
- **When operating a power tool outdoors, use an extension cord suitable for outdoor use. Use of a cord suitable for outdoor use reduces the risk of electric shock.**

### 2.3 PERSONAL SAFETY

- **Stay alert, watch what you are doing and use common sense when operating a power tool. Do not use a power tool while you are tired or under the influence of drugs, alcohol or medication. A moment of inattention while operating power tools may result in serious personal injury.**
- **Use personal protective equipment. Always wear eye protection. Protective equipment such as a dust mask, non-skid safety shoes, hard hat or hearing protection used for appropriate conditions will reduce personal injuries.**
- **Prevent unintentional starting. Ensure the switch is in the off position before connecting to power source and/or battery pack and when picking up or carrying the tool. Carrying power tools with your finger on the switch or energizing power tools that have the switch on invites accidents.**
- **Do not over-reach. Keep proper footing and balance at all times. This enables better control of the power tool in unexpected situations.**
- **Dress properly. Do not wear loose clothing or jewelry. Keep your hair, clothing and gloves away from moving parts. Loose clothes, jewelry or long hair can be caught in moving parts.**
- **If devices are provided for the connection of dust extraction and collection facilities, ensure these are connected and properly used. Use of dust collection can reduce dust related hazards.**
- **Do not let familiarity gained from frequent use of tools allow you to become complacent and ignore tool safety principles. A careless action can cause severe injury within a fraction of a second.**



## 2.4 POWER TOOL USE AND CARE

- **Do not force the power tool.** Use the correct power tool for your application. *The correct power tool will do the job better and safer at the rate for which it was designed.*
- **Do not use the power tool if the switch does not turn it on and off.** *Any power tool that cannot be controlled with the switch is dangerous and must be repaired.*
- **Disconnect the plug from the power source and/or the battery pack from the power tool before making any adjustments, changing accessories, or storing power tools.** *Such preventive safety measures reduce the risk of starting the power tool accidentally.*
- **Store idle power tools out of the reach of children and do not allow persons unfamiliar with the power tool or these instructions to operate the power tool.** *Power tools are dangerous in the hands of untrained users.*
- **Maintain power tools and accessories.** Check for misalignment or binding of moving parts, breakage of parts and any other condition that may affect the power tool's operation. **If damaged, have the power tool repaired before use.** *Many accidents are caused by poorly maintained power tools.*
- **Keep cutting tools sharp and clean.** *Properly maintained cutting tools with sharp cutting edges are less likely to bind and are easier to control.*
- **Use the power tool, accessories and tool bits etc. in accordance with these instructions, taking into account the working conditions and the work to be performed.** *Use of the power tool for operations different from those intended could result in a hazardous situation.*
- **Keep handles and grasping surfaces dry, clean and free from oil and grease.** *Slippery handles and grasping surfaces do not allow for safe handling and control of the tool in unexpected situations.*

## 2.5 BATTERY TOOL USE AND CARE

- **Recharge only with the charger specified by the manufacturer.** *A charger that is suitable for one type of battery pack may create a risk of fire when used with another battery pack.*
- **Use power tools only with specifically designated battery packs.** *Use of any other battery packs may create a risk of injury and fire.*
- **When battery pack is not in use, keep it away from other metal objects like paper clips, coins, keys, nails, screws, or other small metal objects that can make a connection from one terminal to another.** *Shorting the battery terminals together may cause burns or fire.*
- **Under abusive conditions, liquid may be ejected from the battery; avoid contact.** **If contact accidentally occurs, flush with plenty of soap and water. If liquid contacts eyes, immediately seek medical help.** *Liquid ejected from the battery may cause irritation or burns.*
- **Do not use a battery pack or tool that is damaged or modified.** *Damaged or modified batteries may exhibit*

*unpredictable behaviour resulting in fire, explosion or risk of injury.*

- **Do not expose a battery pack or tool to fire or excessive temperature.** *Exposure to fire or temperature above 130 °C(266 °F) may cause explosion.*
- **Follow all charging instructions and do not charge the battery pack or tool outside the temperature range specified in the instructions.** *Charging improperly or at temperatures outside the specified range may damage the battery and increase the risk of fire.*

## 2.6 SERVICE

- **Have your power tool serviced by a qualified repair person using only identical replacement parts.** *This will ensure that the safety of the power tool is maintained.*
- **Never service damaged battery packs.** *Service of battery packs should only be performed by the manufacturer or authorized service providers.*

## 3 SAFETY WARNINGS






- Understand the product. Read and follow the instructions in this manual.
- Do not disassemble or modify the product.
- Do not use this product if it is not completely assembled or if any parts appear to be missing or damaged.
- Use and store indoor dry environment.
- Maintain good housekeeping and sufficient lighting in the working area.
- Cleaning and user maintenance shall not be made by children.
- Use attachments/accessories specified by the manufacturer.
- Perform service maintenance by qualified personnel only.
- When the tool is not in use or before performing cleaning, turn it off and remove the battery pack.
- Do not leave the tool unattended while in use or directly after use.
- Do not overreach. Keep proper footing and balance at all times.
- Keep handles and grasping surfaces dry, clean and free from oil and grease.
- Keep hair, loose clothing, finger and any parts of body away from ejection port, openings or moving parts.
- To reduce the risk of electric shock, do not use near water or any liquid.
- Do not touch with wet hands.
- Do not expose the tool to rain or wet conditions. Water entering a power tool will increase the risk of electric shock or product failure.
- Do not operate electric tools in explosive atmospheres, such as in the presence of flammable liquids, gases or dust.
- Maintain labels and rating plate through the life of service.

- Do not use the electric tool if the switch does not turn on and off. Any electric tool that cannot be controlled with the switch is dangerous and must be repaired.
- Do not use an electric tool while you are tired or under the influence of drugs, alcohol or medication.
- Store idle electric tool out of the reach of children and do not allow persons unfamiliar with the electric tool or these instructions to operate the electric tool.
- Do not point the tool towards yourself or anyone nearby.
- Ensure the working area is well ventilated. Do not inhale vapors generated while in use.
- Use personal protective equipment. Always wear safety goggles and dust mask when using the tool.
- Do not use the tool in any operation that is not its intended use.
- Never hold the work pieces with your hand or any part of your body during operations with the tool.
- Use with specifically designated Li-ion battery packs. Use of other batteries may cause fire.
- Recharge the battery pack with specifically designated chargers. Use of other chargers may cause fire.
- Do not immerse in water.
- This appliance (for attached charger) has a polarized plug (one blade is wider than the other). To reduce the risk of electric shock, this plug is intended to fit in a polarized outlet only one way. If the plug does not fit fully in the outlet, reverse the plug. If it still does not fit, contact a qualified electrician. Do not modify the plug in any way.
- A battery operated glue gun with a detachable battery back shall be recharged only with the specified charger for the battery. A charger that may be suitable for one type of battery may create a risk of fire when used with another battery.
- Use battery operated glue gun only with specifically designed battery pack. Use of any other batteries may create a risk of fire.
- Do not incinerate this glue gun even if it is severely damaged. The batteries can explode in a fire.
- A fire may result if the appliance is not used with care, therefore
  - be careful when using the appliance in places where there are combustible materials;
  - do not apply to the same place for a long time;
  - do not use in presence of an explosive atmosphere;
  - be aware that heat may be conducted to combustible materials that are out of sight;
  - place the appliance on its stand after use and allow it to cool down before storage;
  - do not leave the appliance unattended when it is switched on.
- This appliance is not intended for use by persons (including children) with reduced physical, sensory or mental capabilities, or lack of experience and knowledge, unless they have been given supervision or instruction concerning use of the appliance by a person responsible

for their safety. Children should be supervised to ensure that they do not play with the appliance.

## 4 SYMBOLS ON THE PRODUCT

The following symbols are important for reading and understanding the operating instructions. Please take note of the symbols and their meanings. The correct interpretation of the symbols will help you to use the machine in a better and safer manner.

Symbol	Explanation
V	Voltage
≡	Direct current
	Precautions that involve your safety.
	Read and understand all instructions before operating the product, and follow all warnings and safety instructions.
	Wear eye protection.
	Wear a dust mask.
	Wear protective gloves.
	Keep hands away.
	Do not expose the product to rain or moist conditions.

## 5 ENVIRONMENTALLY SAFE BATTERY DISPOSAL



The toxic and corrosive materials below are in the batteries used in this machine: **Lithium-Ion, a toxic material.**

**▲ WARNING**

Discard all toxic materials in a specified manner to prevent contamination of the environment. Before discarding damaged or worn out Li-ion battery, contact your local waste disposal agency, or the local Environmental Protection Agency for information and specific instructions. Take the batteries to a local recycling and/or disposal center, certified for lithium-ion disposal.




**▲ WARNING**

If the battery pack cracks or breaks, with or without leaks, do not recharge it and do not use. Discard it and replace with a new battery pack. **DO NOT TRY TO REPAIR IT!** To prevent injury and risk of fire, explosion, or electric shock, and to avoid damage to the environment:

- Cover the terminals of the battery with heavy-duty adhesive tape.
- **DO NOT** try to remove or destroy any of the battery pack components.
- **DO NOT** try to open the battery pack.
- If a leak develops, the released electrolytes are corrosive and toxic. **DO NOT** get the solution in the eyes or on skin, and do not swallow it.
- **DO NOT** put these batteries in your regular household trash.
- **DO NOT** incinerate.
- **DO NOT** put them where they will become part of any waste landfill or municipal solid waste stream.
- Take them to a certified recycling or disposal center.

**6 RISK LEVELS**

The following signal words and meanings are intended to explain the levels of risk associated with this product.

SYMBOL	SIGNAL	MEANING
	DANGER	Indicates an imminently hazardous situation, which, if not avoided, will result in death or serious injury.
	WARNING	Indicates a potentially hazardous situation, which, if not avoided, could result in death or serious injury.
	CAUTION	Indicates a potentially hazardous situation, which, if not avoided, may result in minor or moderate injury.
	CAUTION	(Without Safety Alert Symbol) Indicates a situation that may result in property damage.

**7 PROPOSITION 65****▲ WARNING**

This product contains a chemical known to the state of California to cause cancer, birth defects or other reproductive harm. Some dust created by power sanding, sawing, grinding, drilling, and other construction activities contains chemicals known to cause cancer, birth defects or other reproductive harm. Some examples of these chemicals are:

- Lead from lead-based paints;
- Crystalline silica from bricks and cement and other masonry products;
- Arsenic and chromium from chemically treated lumber.

Your risk of exposure to these chemicals varies depending on how often you do this type of work. To reduce your exposure to these chemicals, work in a well-ventilated area, and work with approved safety equipment, such as dust masks that are specially designed to filter out microscopic particles.

Save these instructions.

**8 INSTALLATION****8.1 UNPACK THE MACHINE****▲ WARNING**

Make sure that you correctly assemble the machine before use.

**▲ WARNING**

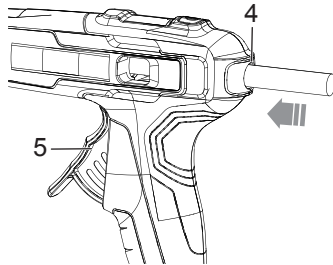
- If parts of the machine are damaged, do not use the machine.
- If you do not have all the parts, do not operate the machine.
- If parts are damaged or missing, contact the service center.

1. Open the package.
2. Read the documentation provided in the box.
3. Remove all the unassembled parts from the box.
4. Remove the machine from the box.
5. Discard the box and packing material in compliance with local regulations.

**▲ WARNING**

For your personal safety, do not insert battery before the tool is assembled completely.

## 8.2 INSTALL THE GLUE STICK

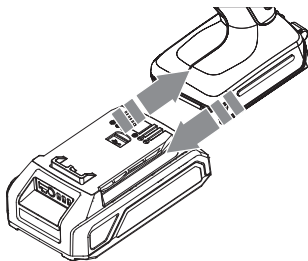


### ▲ WARNING

Do not feed any other objects into glue stick entry except the specified glue stick.

1. Insert the glue stick into the glue stick entry (4) and slide down gently.
2. Push the trigger (5) for few times to allow the glue stick to be pushed forward.

## 8.3 INSTALL THE BATTERY PACK



### ▲ WARNING

- If the battery pack or charger is damaged, replace the battery pack or the charger.
- Stop the machine and wait until the motor stops before you install or remove the battery pack.
- Read, know, and do the instructions in the battery and charger manual.

1. Align the lift ribs on the battery pack with the grooves in the battery compartment.
2. Push the battery pack into the battery compartment until the battery pack locks into place.
3. When you hear a click, the battery pack is installed.

## 8.4 REMOVE THE BATTERY PACK

1. Push and hold the battery release button.
2. Remove the battery pack from the machine.

## 9 OPERATION

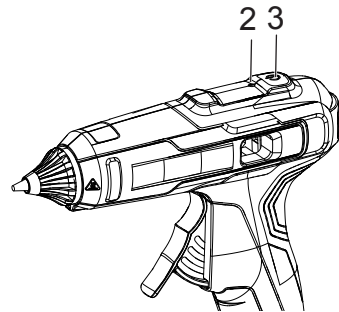
### ▲ WARNING

Always wear eye protection.

### ▲ WARNING

Do not use any attachments or accessories not recommended by the manufacturer of this product.

## 9.1 START THE MACHINE



1. Push and hold the on/off switch (3) for 3 seconds to turn the machine ON.
2. The LED indicator (2) glows red to indicate the machine is heating up.
3. The LED indicator (2) glows green after approximate 90 seconds to indicate the machine is ready to use.

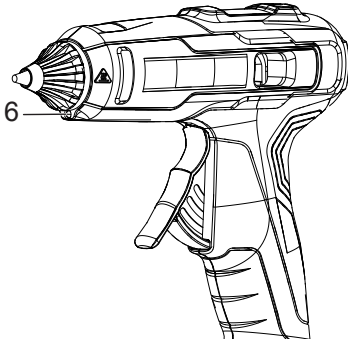
## 9.2 STOP THE MACHINE

1. Push and hold the on/off switch until the LED indicator off.

### ▲ CAUTION

The nozzle will remain hot for a few minutes. Allow the nozzle to cool down and the glue to solidify before storing.

### 9.3 LED LIGHT



The LED light (6) illuminates when the on/off switch is depressed.

It provides extra light for increased visibility.

### 9.4 APPLY THE HOT GLUE

1. Install the battery pack and turn the on/off switch.
2. Place the glue gun nozzle towards target area when the LED indicator glows green.
3. Pull the trigger lightly until the hot glue flows out from the nozzle.

#### **i** NOTE

The flow rate of hot glue depends on the pressure applied on the trigger.

4. Release the trigger to stop the glue flow.
5. Turn off the switch after use.
6. Allow the glue stick and glue gun nozzle to completely cool down.

## 10 MAINTENANCE

#### **▲ CAUTION**

Do not let brake fluids, gasoline, petroleum-based materials touch the plastic parts. Chemicals can cause damage to the plastic, and make the plastic unserviceable.

#### **▲ CAUTION**

Do not use strong solvents or detergents on the plastic housing or components.

#### **▲ WARNING**

Remove the battery pack from the machine before maintenance.

## 10.1 CLEAN AND MAINTENANCE

- Switch off the machine and don't switch it on before carrying out maintenance or cleaning work.
- Use only the manufacturer's recommended replacement parts and accessories.
- Inspect and maintain the machine regularly. Have the machine repaired only by an authorized repairer.
- When not in use, store the machine out of the reach of children.
- The machine must always be kept clean and the sealant remaining on the machine must be cleaned to make sure that the machine is in good condition for the next use.
- The remaining adhesive material may cause breakage of the machine.

## 11 TECHNICAL DATA

Voltage	24 V
Rated power	40 W
Capacity	5 g/min
Heating time	90 s
Glue stick size	Ø 11 mm x 150 mm
Weight (without battery pack)	0.84 lbs (0.38 kg)
Battery model	LB24A020//BAG708 and other BAG series
Charger model	2978602/2903102 and other CAG series

## 12 LIMITED WARRANTY



Greenworks hereby warranties this product, to the original purchaser with proof of purchase, for a period of three (3) years against defects in materials, parts or workmanship. Greenworks, at its own discretion, will repair or replace any and all parts found to be defective, through normal use, free of charge to the customer. This warranty is valid only for units which have been used for personal use that have not been purchased or rented for industrial/commercial use, and that have been maintained in accordance with the instructions in the owners' manual supplied with the product when new.

**ITEMS NOT COVERED BY WARRANTY:**

- 1. Any part that has become inoperative due to misuse, commercial use, abuse, neglect, accident, improper maintenance, or alteration; or
- 2. The unit, if it has not been operated and/or maintained in accordance with the owner's manual; or
- 3. Normal wear;
- 4. Routine maintenance items such as lubricants, blade sharpening;
- 5. Normal deterioration of the exterior finish due to use or exposure.

**HELPLINE:**

Warranty service is available by calling our toll-free helpline at 1-888-909-6757.

**TRANSPORTATION CHARGES:**

Transportation charges for the movement of any power equipment unit or attachment are the responsibility of the purchaser. It is the purchaser's responsibility to pay transportation charges for any part submitted for replacement under this warranty unless such return is requested in writing by Greenworks.

<b>USA address:</b>	<b>Canadian address:</b>
Greenworks Tools	Greenworks Tools Canada, Inc.
P.O. Box 1238	P.O. Box 93095, Newmarket, Ontario
Mooresville, NC 28115	L3Y 8K3

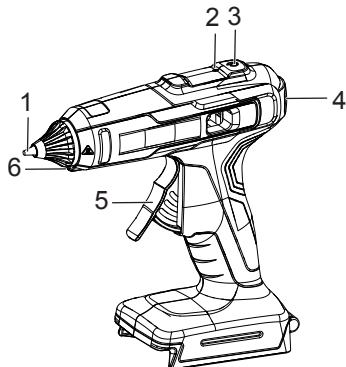
<b>1</b>	<b>Description.....</b>	<b>12</b>	<b>6</b>	<b>Niveaux de risques.....</b>	<b>15</b>
1.1	But.....	12	7	<b>Proposition 65.....</b>	<b>16</b>
1.2	Aperçu.....	12	8	<b>Installation.....</b>	<b>16</b>
1.3	Liste du contenu de l'emballage.....	12	8.1	Déballer la machine.....	16
<b>2</b>	<b>Avertissements généraux de sécurité des outils électriques.....</b>	<b>12</b>	8.2	Installer le bâton de colle.....	16
2.1	Sécurité de la zone de travail.....	12	8.3	Installer le bloc-batterie.....	16
2.2	Sécurité électrique.....	12	8.4	Retirez la batterie.....	17
2.3	Sécurités des personnes.....	12	<b>9</b>	<b>Utilisation.....</b>	<b>17</b>
2.4	Utilisation et entretien des outils électriques... 13		9.1	Démarrer la machine.....	17
2.5	Utilisation et entretien de l'outil à batterie..... 13		9.2	Arrêter la machine.....	17
2.6	Service.....	13	9.3	Lumière DEL.....	17
<b>3</b>	<b>Avertissements de sécurité.....</b>	<b>14</b>	9.4	Appliquez la colle chaude.....	17
<b>4</b>	<b>Symboles figurant sur la machine. 15</b>		<b>10</b>	<b>Entretien.....</b>	<b>17</b>
<b>5</b>	<b>Élimination des batteries sans danger pour l'environnement.....</b>	<b>15</b>	10.1	Propreté et entretien.....	18
			<b>11</b>	<b>Données techniques.....</b>	<b>18</b>
			<b>12</b>	<b>Garantie limitée.....</b>	<b>18</b>

## 1 DESCRIPTION

### 1.1 BUT

La machine est destinée à un usage domestique intérieur. Il est utilisé pour coller le bois, le carton, le verre, le plastique, la céramique et les textiles. Il n'est pas destiné à un usage artisanal, commercial, professionnel et/ou industriel.

### 1.2 APERÇU



- |                             |                            |
|-----------------------------|----------------------------|
| 1 Buse                      | 4 Entrée du bâton de colle |
| 2 Indicateur LED            | 5 Gâchette                 |
| 3 Interrupteur marche/arrêt | 6 Lumière DEL              |

### 1.3 LISTE DU CONTENU DE L'EMBALLAGE

- |                    |          |
|--------------------|----------|
| 1 Pistolet à colle | 2 Manuel |
|--------------------|----------|

## 2 AVERTISSEMENTS GÉNÉRAUX DE SÉCURITÉ DES OUTILS ÉLECTRIQUES

### ▲ AVERTISSEMENT

Lisez tous les avertissements de sécurité et toutes les instructions. Le non-respect de ces avertissements et de ces instructions peut entraîner un choc électrique, un incendie et/ou des blessures graves.

Conservez tous les avertissements et instructions pour référence ultérieure.

Le terme « outil électrique » dans les avertissements se réfère à votre outil électrique alimenté (avec fil) ou à votre outil électrique (sans fil) fonctionnant sur batterie.

## 2.1 SÉCURITÉ DE LA ZONE DE TRAVAIL

- **Gardez la zone de travail propre et bien éclairée.** Les endroits encombrés ou sombres favorisent les accidents.
- **N'utilisez pas les outils électriques dans des environnements explosifs, par exemple en présence de liquides, gaz ou poussières inflammables.** La mise en marche des outils électriques crée des étincelles qui peuvent enflammer la poussière ou les vapeurs.
- **Tenez les enfants et les curieux à l'écart lorsque vous utilisez un outil électrique.** Les distractions peuvent vous faire perdre le contrôle.

## 2.2 SÉCURITÉ ÉLECTRIQUE

- **Les prises de l'outil électrique doivent être compatibles avec la prise de courant. Ne modifiez jamais la prise d'aucune façon. N'utilisez pas d'adaptateur de prise avec des outils à prise de terre.** Des prises non modifiées et leurs prises de courant respectives réduisent les risques de choc électrique.
- **Évitez que le corps n'entre en contact avec des surfaces mises à la terre comme les tuyaux, les radiateurs, les cuisinières et les réfrigérateurs.** Il y a un risque accru de choc électrique si votre corps est en contact avec la terre.
- **N'exposez pas les outils électriques à des conditions humides ou mouillées.** L'eau qui pénètre dans un outil électrique augmente le risque de choc électrique.
- **N'abusez pas du cordon. N'utilisez jamais le câble pour porter, tirer ou débrancher l'outil.** Éloignez le cordon de la chaleur, de l'huile, des bords tranchants ou des pièces mobiles. Les cordons endommagés augmentent le risque d'un choc électrique.
- **Lorsque vous utilisez un outil électrique en extérieur, utilisez une rallonge de câble adaptée à l'usage en extérieur.** Utiliser un câble adapté à un usage en extérieur réduit le risque de choc électrique.

## 2.3 SÉCURITÉS DES PERSONNES

- **Restez vigilant, soyez attentif à ce que vous faites et faites preuve de bon sens lorsque vous utilisez un outil électrique. N'utilisez pas l'appareil lorsque vous êtes fatigué, sous l'emprise de l'alcool ou de drogues ou après avoir pris des médicaments.** Un moment d'inattention lors de l'utilisation d'un outil électrique peut provoquer des blessures corporelles graves.
- **Utilisez de l'équipement de protection individuelle. Portez toujours des lunettes de protection.** L'utilisation d'équipement de protection adapté aux conditions masque antipoussière, chaussures de sécurité antidérapantes, casque et protections auditives, etc. permet de réduire les risques de blessures corporelles.
- **Évitez tout démarrage accidentel. Assurez-vous que l'interrupteur est en position d'arrêt avant de brancher à la source d'alimentation et/ou la batterie et quand vous soulevez ou transportez l'appareil.**



*Transporter un outil électrique avec un doigt sur l'interrupteur ou le brancher sur une alimentation électrique alors que son interrupteur est en position marche favorise les accidents.*

- **Ne vous penchez pas trop en avant. Gardez un bon équilibre en tout temps.** Ceci permet un meilleur contrôle de l'outil électrique dans des situations inattendues.
- **Habilitez-vous correctement. Ne portez pas de vêtements amples ou de bijoux. Veillez à ne pas approcher vos cheveux, vos vêtements et vos gants des pièces en mouvement.** Les vêtements amples, les bijoux et les cheveux longs peuvent se prendre dans les pièces en mouvement.
- **Si un appareil est conçu pour être utilisé avec des dispositifs d'extraction et de récupération des poussières, veillez à ce que ces dispositifs soient bien raccordés et correctement utilisés.** L'utilisation de dispositifs de récupération des poussières permet de réduire les risques liés aux poussières.
- **Ne laissez pas l'habitude des fréquentes utilisations vous faire oublier et ignorer les principes de sécurité.** Une action négligente peut provoquer de graves blessures en une fraction de seconde.

## 2.4 UTILISATION ET ENTRETIEN DES OUTILS ÉLECTRIQUES

- **Ne forcez pas l'outil électrique. Utilisez l'outil électrique adapté à votre application.** L'outil électrique approprié fera mieux le travail et sera plus sécuritaire au rythme pour lequel il a été conçu.
- **N'utilisez pas l'outil électrique si l'interrupteur ne le met pas en marche ou à l'arrêt.** Tout outil électrique qui ne peut pas être contrôlé avec l'interrupteur est dangereux et doit être réparé.
- **Débranchez la prise de la source d'alimentation et/ou de la batterie avant d'effectuer des réglages, de changer des accessoires ou de ranger l'outil électrique.** De telles mesures de sécurité préventives réduisent le risque d'un démarrage accidentel de l'outil électrique.
- **Rangez les outils électriques inutilisés hors de portée des enfants et ne laissez pas des personnes qui se sont familiarisées avec l'outil électrique ou ces instructions l'utiliser.** Les outils électriques sont dangereux entre les mains des utilisateurs non formés.
- **Entretenez les outils électriques et les accessoires. Vérifiez le désalignement des pièces mobiles ou la fixation des pièces mobiles, la cassure des pièces et toute autre condition qui pourrait affecter le fonctionnement de l'outil électrique.** Si il est endommagé, faites réparer l'outil électrique avant de l'utiliser. De nombreux accidents sont causés par des outils électriques mal entretenus.
- **Garder les outils de coupe propres et tranchants.** Les outils de coupe bien entretenus avec des bords tranchants sont moins susceptibles de se coincer et sont plus faciles à contrôler.

- **Utilisez l'outil électrique, les accessoires, les mèches, etc. conformément à ces instructions, en tenant compte des conditions de travail et des travaux à effectuer.** L'utilisation de l'outil motorisé pour des opérations différentes de celles prévues pourrait entraîner une situation dangereuse.
- **Veillez à ce que les poignées restent propres, sèches et exemptes d'huile et de graisse.** Les poignées et surfaces de prise glissantes ne permettent pas de manipuler et de contrôler l'outil dans des situations inattendues.

## 2.5 UTILISATION ET ENTRETIEN DE L'OUTIL À BATTERIE

- **Rechargez uniquement avec le chargeur spécifié par le fabricant.** Un chargeur adapté à un type de bloc-batterie peut créer un risque d'incendie lorsqu'il est utilisé avec un autre bloc-batterie.
- **Utilisez les outils électriques uniquement avec des batteries spécialement conçues à cet effet.** L'utilisation de tous autres bloc-batteries peut créer un risque de blessure et d'incendie.
- **Lorsque la batterie n'est pas utilisée, éloignez-la des autres objets métalliques tels qu'attaches trombones, pièces de monnaie, clés, clous, vis ou autres petits objets métalliques qui peuvent établir une connexion d'une borne à une autre.** Le court-circuitage des bornes de la batterie peut provoquer des brûlures ou un incendie.
- **Dans des conditions abusives, du liquide peut être éjecté de la batterie; évitez tout contact.** En cas de contact accidentel, rincez abondamment avec du savon et de l'eau. En cas de contact du liquide avec les yeux, consultez immédiatement un médecin. Le liquide s'échappant des batteries peut causer des irritations ou des brûlures.
- **N'utilisez pas un bloc-batterie ou un outil endommagé ou modifié.** Les batteries endommagées ou modifiées peuvent présenter un fonctionnement imprévisible et provoquer un incendie, une explosion ou un risque de blessure.
- **N'exposez pas un bloc-batterie ou un outil au feu ou à une température excessive.** L'exposition au feu ou une température supérieure à 266 °F (130 °C) peut provoquer une explosion.
- **Suivez toutes les instructions de recharge et ne rechargez pas la batterie ou l'outil en dehors de la plage de température spécifiée dans ces instructions.** Un rechargement incorrect ou à des températures en dehors de la plage spécifiée peut endommager la batterie et augmenter le risque d'incendie.

## 2.6 SERVICE

- **Faites effectuer l'entretien de votre outil électrique par un réparateur qualifié en n'utilisant que des pièces de rechange identiques.** Cela garantira le maintien de la sécurité de l'outil électrique.

- **Ne réparez jamais un bloc-batterie endommagé.**  
*L'entretien d'un bloc-batterie ne doit être effectué que par le fabricant ou des fournisseurs de service agréés.*








## 3 AVERTISSEMENTS DE SÉCURITÉ

- Comprendre le produit. Lisez et suivez les instructions de ce manuel.
- Ne pas démonter pas et ne modifiez pas le produit.
- N'utilisez pas ce produit s'il n'est pas complètement assemblé ou si des pièces semblent manquantes ou endommagées.
- Utiliser et stocker à l'intérieur dans un environnement sec.
- Maintenir un bon entretien et un éclairage suffisant dans la zone de travail.
- Le nettoyage et l'entretien par l'utilisateur ne doivent pas être effectués par des enfants.
- Utilisez les fixations/accessoires spécifiées par le fabricant.
- Ne confiez la maintenance qu'à un personnel qualifié.
- Lorsque l'outil n'est pas utilisé ou avant d'effectuer un nettoyage, éteignez-le et retirez le bloc-batterie.
- Ne laissez pas l'outil sans surveillance pendant ou juste après son utilisation.
- Ne vous penchez pas trop en avant. Gardez un bon équilibre en tout temps.
- Veillez à ce que les poignées restent propres, sèches et exemptes d'huile et de graisse.
- Gardez les cheveux, les vêtements amples, les doigts et toute partie du corps à l'écart de l'orifice d'éjection, des ouvertures ou des pièces mobiles.
- Pour réduire le risque de choc électrique, ne pas utiliser l'appareil dans l'eau ou dans tout autre liquide.
- Ne touchez pas là avec les mains mouillées.
- N'exposez pas l'outil électrique à des conditions humides ou mouillées. L'eau qui pénètre dans un outil électrique augmente le risque de choc électrique défaillance de produits.
- N'utilisez pas l'outil électrique dans des environnements explosifs, par exemple en présence de liquides, gaz ou poussières inflammables.
- Conservez les étiquettes et la plaque signalétique pendant toute la durée de vie de l'appareil.
- N'utilisez pas l'outil électrique si l'interrupteur ne le met pas en marche ou à l'arrêt. Tout outil électrique qui ne peut pas être contrôlé avec l'interrupteur est dangereux et doit être réparé.
- N'utilisez pas un outil électrique lorsque vous êtes fatigué, sous l'emprise de l'alcool ou de drogues ou après avoir pris des médicaments.
- Rangez les outils électriques inutilisés hors de portée des enfants et ne laissez pas des personnes qui ne se sont pas familiarisées avec l'outil électrique ou ces instructions.
- Ne dirigez pas l'outil vers vous ou vers quelqu'un à proximité.
- Assurez-vous que l'aire de travail est bien ventilée. Ne pas inhaler les vapeurs générées pendant l'utilisation.
- Utilisez de l'équipement de protection individuelle. Portez toujours des lunettes de sécurité et un masque anti-poussière lorsque vous utilisez l'outil.
- N'utilisez pas l'outil pour une opération qui n'est pas son utilisation prévue.
- Ne tenez jamais les pièces avec votre main ou une partie de votre corps pendant les opérations avec l'outil.
- À utiliser avec les batteries au lithium-ion spécifiquement désignées. L'utilisation d'autres batteries peut provoquer des incendies.
- Rechargez le bloc-batterie avec des chargeurs spécialement conçus à cet effet. L'utilisation d'autres chargeurs peut provoquer des incendies.
- Ne pas plonger dans l'eau.
- Cet appareil (pour chargeur attaché) a une fiche polarisée (une lame est plus large que l'autre). Pour réduire le risque de choc électrique, cette fiche est conçue pour être insérée dans une prise polarisée dans un seul sens. Si la fiche ne rentre pas correctement dans la prise, inversez-la. Si elle ne s'insère toujours pas dans la prise, communiquez avec un électricien qualifié. Ne modifiez la fiche d'aucune façon.
- Un pistolet colle alimenté par batterie avec un dos de batterie amovible doit être rechargé uniquement avec le chargeur spécifié pour la batterie. Un chargeur qui peut convenir à un type de batterie peut créer un risque d'incendie lorsqu'il est utilisé avec une autre batterie.
- Utilisez le pistolet colle à piles uniquement avec une batterie spécialement conçue. L'utilisation de toute autre batterie peut créer un risque d'incendie.
- N'incinerez pas le pistolet colle même s'il est extrêmement endommagé. Les batteries peuvent exploser dans le feu.
- Un incendie peut se produire si l'appareil n'est pas utilisé avec précaution, par conséquent
  - soyez prudent lorsque vous utilisez l'appareil dans des endroits où il y a des matériaux combustibles ;
  - ne pas appliquer au même endroit pendant une longue période ;
  - ne pas utiliser en présence d'une atmosphère explosive ;
  - sachez que la chaleur peut être conduite vers des matériaux combustibles qui sont hors de vue ;
  - placez l'appareil sur son support après utilisation et laissez-le refroidir avant de le ranger ;
  - ne laissez pas l'appareil sans surveillance lorsqu'il est allumé.
- Cette machine n'est pas destinée à être utilisée par des personnes (y compris des enfants) ayant des capacités physiques, sensorielles ou mentales réduites ou un manque d'expérience et de connaissances, à moins qu'elles n'aient reçu une supervision ou des instructions concernant son utilisation par une personne responsable

de leur sécurité. Les enfants doivent être surveillés pour s'assurer qu'ils ne jouent pas avec l'appareil.

## 4 SYMBOLES FIGURANT SUR LA MACHINE

Les symboles suivants sont importants pour la lecture et la compréhension du mode d'emploi. Veuillez prendre note des symboles et leurs significations. L'interprétation correcte des symboles vous aidera à utiliser la machine de manière plus efficace et plus sûre.

Symbole	Explication
V	Voltage
---	Courant direct
	Précautions destinées à assurer la sécurité.
	Lisez et comprenez toutes les instructions avant d'utiliser cette machine, et suivez tous les avertissements et les consignes de sécurité.
	Portez des lunettes de protection.
	Portez un masque anti-poussière.
	Portez des gants de protection.
	Gardez vos mains à distance.
	Ne pas exposer la machine à la pluie ou à l'humidité.

## 5 ÉLIMINATION DES BATTERIES SANS DANGER POUR L'ENVIRONNEMENT



Les matières toxiques et corrosives ci-dessous se trouvent dans les batteries utilisées dans cette machine : **Lithium-ion, une substance toxique.**

### ▲ AVERTISSEMENT

Éliminez toutes les substances toxiques d'une manière spécifiée afin de prévenir la contamination de l'environnement. Avant de jeter une batterie au lithium-ion endommagée ou usée, contactez votre agence locale d'élimination des déchets ou l'agence locale de protection de l'environnement pour obtenir des informations et des instructions spécifiques. Apportez les batteries à un centre local de recyclage ou d'élimination certifié pour l'élimination de batteries au lithium-ion.



### ▲ AVERTISSEMENT


Si la batterie se fend ou se brise, avec ou sans fuites, ne la rechargez pas et ne l'utilisez pas. Jetez-la et remplacez-la par une nouvelle batterie. **N'ESSAYEZ PAS DE LA RÉPARER !** Pour prévenir les blessures et les risques d'incendie, d'explosion ou de décharge électrique, et pour éviter tout dommage à l'environnement :

- Couvrez les bornes de la batterie avec du ruban adhésif résistant.
- **NE PAS** essayer d'enlever ou de détruire les composants de la batterie.
- **NE PAS** essayer d'ouvrir ou de réparer la batterie.
- En cas de fuite, les électrolytes rejetés sont corrosifs et toxiques. **NE** laissez **PAS** entrer la solution dans les yeux ou en contact avec la peau et ne l'avalez pas.
- **NE PAS** jeter vos batteries usagées dans votre poubelle à ordures ménagères.
- N'incinerez **PAS** les batteries.
- **NE LES** Mettez **PAS** dans un endroit où ils feront partie d'un site d'enfouissement de déchets ou d'un flux de déchets solides municipaux.
- Emmenez-les dans un centre de recyclage ou d'élimination certifié.

## 6 NIVEAUX DE RISQUES

Les termes de mise en garde suivants et leur signification ont pour but d'expliquer les niveaux de risques associés à l'utilisation de ce produit.

SYMBOLE	SIGNAL	SIGNIFICATION
	DANGER	Indique une situation dangereuse imminente qui, si elle n'est pas évitée, peut entraîner la mort ou des blessures graves.
	AVERTISSEMENT	Indique une situation potentiellement dangereuse qui, si elle n'est pas évitée, peut entraîner la mort ou des blessures graves.

SYM-BOLE	SIGNAL	SIGNIFICATION
	MISE EN GARDE	Indique une situation potentiellement dangereuse qui, si elle n'est pas évitée, pourrait causer des blessures mineures ou modérées.
	MISE EN GARDE	(Sans symbole d'alerte de sécurité) indique une situation pouvant entraîner des dommages matériels.

## 7 PROPOSITION 65

### ▲ AVERTISSEMENT

Ce produit contient un produit chimique connu dans l'état de Californie comme étant une cause de cancer, de malformations congénitales ou d'autres problèmes de reproduction. Certaines poussières produites par le ponçage mécanique, le sciage, le meulage, le perçage et d'autres activités de construction contiennent des produits chimiques connus pour causer le cancer, des malformations congénitales ou d'autres problèmes de reproduction. Voici quelques exemples de ces produits chimiques :

- Plomb provenant de peintures à base de plomb;
- Silice cristalline provenant de briques, de ciment et d'autres produits de maçonnerie;
- Arsenic et chrome provenant de bois traité chimiquement.

Votre risque d'exposition à ces produits chimiques varie selon la fréquence à laquelle vous faites ce type de travail. Pour réduire votre exposition à ces produits chimiques, travaillez dans un endroit bien ventilé et utilisez un équipement de sécurité approuvé, comme des masques anti-poussière spécialement conçus pour filtrer les particules microscopiques.

Conservez ces instructions.

## 8 INSTALLATION

### 8.1 DÉBALLER LA MACHINE

#### ▲ AVERTISSEMENT

Assurez-vous d'assembler correctement la machine avant de l'utiliser.

#### ▲ AVERTISSEMENT

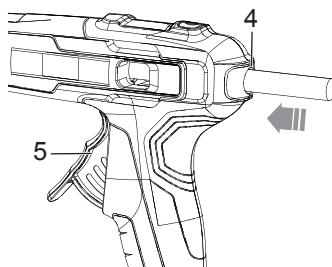
- Si les pièces de la machine sont endommagées, ne l'utilisez pas.
- Si vous n'avez pas toutes les pièces, n'utilisez pas la machine.
- Si des pièces sont endommagées ou manquantes, communiquez avec le centre de service.

1. Ouvrez l'emballage.
2. Lisez la documentation contenue dans la boîte.
3. Retirez toutes les pièces non assemblées de la boîte.
4. Retirez la machine de sa boîte.
5. Jetez la boîte et l'emballage conformément aux règlements locaux.

#### ▲ AVERTISSEMENT

Pour votre sécurité personnelle, n'insérez pas la batterie avant que l'outil ne soit complètement assemblé.

### 8.2 INSTALLER LE BÂTON DE COLLE

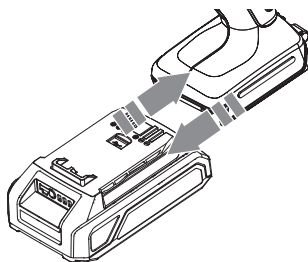


#### ▲ AVERTISSEMENT

Ne pas introduire d'autres objets dans l'entrée du bâton de colle que le bâton de colle spécifié.

1. Insérez le bâton de colle dans l'entrée du bâton de colle (4) et faites-le glisser doucement vers le bas.
2. Appuyez plusieurs fois sur la gâchette (5) pour permettre au bâton de colle d'être poussé vers l'avant.

### 8.3 INSTALLER LE BLOC-BATTERIE



#### ▲ AVERTISSEMENT

- Si le bloc-batterie ou le chargeur est endommagé, remplacez-le, au besoin.
- Arrêtez la machine et attendez que le moteur s'arrête avant d'installer ou de retirer le bloc-batterie.
- Lisez, comprenez et suivez les instructions du manuel du bloc-batterie et du chargeur.

1. Alignez les languettes du bloc-batterie avec les rainures du compartiment de batterie.
2. Poussez le bloc-batterie dans le compartiment de batterie jusqu'à ce qu'il soit bien encliqueté.
3. Vous devriez entendre un clic lorsque le bloc-batterie sera inséré correctement.

## 8.4 RETIREZ LA BATTERIE

1. Poussez et maintenez enfoncé le bouton de déblocage de la batterie.
2. Retirez la batterie de la machine.

## 9 UTILISATION

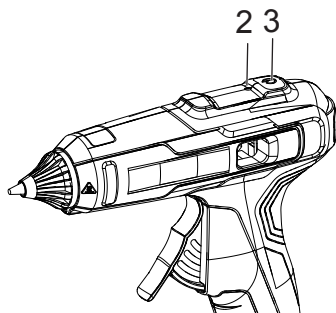
### ▲ AVERTISSEMENT

Portez toujours des lunettes de protection.

### ▲ AVERTISSEMENT

N'utilisez pas d'autres pièces ou d'accessoires non recommandés par le fabricant de ce produit.

## 9.1 DÉMARRER LA MACHINE



1. Appuyez sur l'interrupteur marche/arrêt (3) et maintenez-le enfoncé pendant 3 secondes pour allumer la machine.
2. Le voyant DEL (2) s'allume en rouge pour indiquer que la machine est en train de chauffer.
3. Le voyant DEL (2) s'allume en vert après environ 90 secondes pour indiquer que la machine est prête à être utilisée.

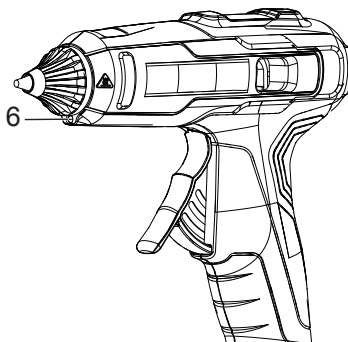
## 9.2 ARRÊTER LA MACHINE

1. Appuyez et maintenez l'interrupteur marche/arrêt jusqu'à ce que le voyant DEL s'éteigne.

### ▲ ATTENTION

La buse restera chaude pendant quelques minutes. Laissez la buse refroidir et la colle se solidifier avant de la ranger.

## 9.3 LUMIÈRE DEL



Le voyant DEL (6) s'allume lorsque l'interrupteur marche/arrêt est enfoncé.

Il fournit une lumière supplémentaire pour une meilleure visibilité.

## 9.4 APPLIQUEZ LA COLLE CHAUDE

1. Installez le bloc-batterie et actionnez l'interrupteur marche/arrêt.
2. Placez la buse du pistolet à colle vers la zone cible lorsque le voyant DEL s'allume en vert.
3. Appuyez légèrement sur la gâchette jusqu'à ce que la colle chaude s'écoule de la buse.

### i REMARQUE

Le débit de la colle chaude dépend de la pression appliquée sur la gâchette.

4. Relâchez la gâchette pour arrêter l'écoulement de la colle.
5. Éteignez l'interrupteur après utilisation.
6. Laissez le bâton de colle et la buse du pistolet à colle refroidir complètement.

## 10 ENTRETIEN

### ▲ ATTENTION

Évitez que les liquides de freins, l'essence et les matériaux à base de pétrole ne viennent en contact avec les pièces en plastique. Les produits chimiques peuvent endommager le plastique et le rendre inutilisable.

### ▲ ATTENTION

N'utilisez pas de solvants ou de détergents puissants sur le boîtier ou les composants en plastique.

### ▲ AVERTISSEMENT

Retirez le bloc-batterie de la machine avant l'entretien.

## 10.1 PROPRIÉTÉ ET ENTRETIEN

- Éteignez la machine et ne la mettez pas en marche avant d'avoir effectué des travaux d'entretien ou de nettoyage.
- Utilisez uniquement les pièces de rechange et les accessoires le recommandés par le fabricant.
- Inspectez et entretenez régulièrement la machine. Faites réparer la machine uniquement par un réparateur agréé.
- Lorsqu'elle n'est pas utilisée, rangez la machine hors de portée des enfants.
- La machine doit toujours être maintenue propre et le mastic restant sur la machine doit être nettoyé pour s'assurer que la machine est en bon état pour la prochaine utilisation.
- Le matériau adhésif restant peut provoquer la casse de la machine.

## 11 DONNÉES TECHNIQUES

Voltage	24 V
Puissance nominale	40 W
Capacité	5 g/min
Temps de chauffage	90 s
Taille du bâton de colle	Ø 11 mm x 150 mm
Poids (sans bloc-batterie)	0.84 lb (0.38 kg)
Modèle de la batterie	LB24A020//BAG708 et autres séries BAG
Chargeur modèle	2978602/2903102 et autres séries CAG

## 12 GARANTIE LIMITÉE



Greenworks garantit par la présente ce produit, à l'acheteur original avec preuve d'achat, pour une période de trois (3) ans contre tout défaut de matériaux, de pièces ou de main-d'œuvre. Greenworks, à sa propre discrétion, réparera ou remplacera toutes les pièces défectueuses, dans des conditions normales d'utilisation, sans frais pour le client. Cette garantie n'est valable que pour les appareils qui ont été utilisés à des fins personnelles, qui n'ont pas été loués à des fins industrielles ou commerciales et qui ont été entretenus conformément aux instructions du manuel du propriétaire fourni avec le produit neuf.

## ARTICLES NON COUVERTS PAR LA GARANTIE :

1. Toute pièce qui est devenue inopérante en raison d'une mauvaise utilisation, d'une utilisation commerciale, d'un abus, d'une négligence, d'un accident, d'un entretien inapproprié ou d'une modification; ou
2. L'appareil, s'il n'a pas été utilisé et/ou entretenu conformément au manuel du propriétaire; ou
3. Usure normale;
4. Articles d'entretien courant tels que lubrifiants, affûtage des lames;
5. Détérioration normale du fini extérieur due à l'utilisation ou à l'exposition.

## ASSISTANCE TÉLÉPHONIQUE :

Le service de garantie est accessible en appelant notre ligne d'assistance téléphonique sans frais, au 1-888-909-6757.

## FRAIS DE TRANSPORT :

Les frais de transport pour le déplacement de tout équipement motorisé ou accessoire sont à la charge de l'acheteur. Il incombe à l'acheteur de payer les frais de transport pour toute pièce retournée pour remplacement en vertu de la présente garantie, à moins qu'un tel retour soit demandé par écrit par Greenworks.

### Adresse aux États-Unis : Adresse au Canada :

Greenworks Tools	Greenworks Tools Canada Inc.
P.O. Box 1238	P.O. Box 93095, Newmarket, Ontario
Mooresville, NC 28115	L3Y 8K3

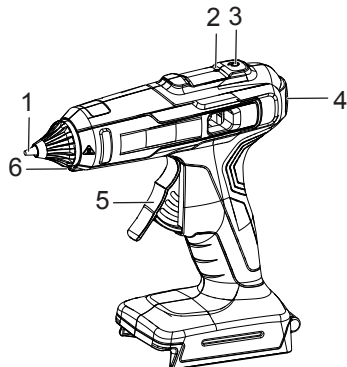
<b>1</b>	<b>Descripción.....</b>	<b>20</b>	<b>6</b>	<b>Niveles de riesgo.....</b>	<b>23</b>
1.1	Finalidad.....	20	<b>7</b>	<b>Propuesta 65.....</b>	<b>24</b>
1.2	Perspectiva general.....	20	<b>8</b>	<b>Instalación.....</b>	<b>24</b>
1.3	Lista de embalaje.....	20	8.1	Desembalaje de la máquina.....	24
<b>2</b>	<b>Advertencias generales de seguridad para herramientas eléctricas.....</b>	<b>20</b>	8.2	Instalación de la barra de cola.....	24
2.1	Seguridad de la zona de trabajo.....	20	8.3	Instalación de la batería.....	24
2.2	Seguridad eléctrica.....	20	8.4	Retirada de la batería.....	25
2.3	Seguridad personal.....	20	<b>9</b>	<b>Funcionamiento.....</b>	<b>25</b>
2.4	Utilización y cuidado de herramientas eléctricas.....	21	9.1	Puesta en marcha de la máquina.....	25
2.5	Utilización y cuidado de herramientas a batería.....	21	9.2	Detención de la máquina.....	25
2.6	Servicio.....	22	9.3	Piloto LED.....	25
<b>3</b>	<b>Advertencias de seguridad.....</b>	<b>22</b>	9.4	Aplicación de la cola caliente.....	25
<b>4</b>	<b>Símbolos en el producto.....</b>	<b>23</b>	<b>10</b>	<b>Mantenimiento.....</b>	<b>26</b>
<b>5</b>	<b>Eliminación de batería segura para el medio ambiente.....</b>	<b>23</b>	10.1	Limpieza y mantenimiento.....	26
			<b>11</b>	<b>Datos técnicos.....</b>	<b>26</b>
			<b>12</b>	<b>Garantía limitada.....</b>	<b>26</b>

## 1 DESCRIPCIÓN

### 1.1 FINALIDAD

La máquina se ha diseñado para uso doméstico en interior. Se utiliza para pegar madera, cartón, vidrio, plástico, cerámica y textiles. No se ha diseñado para un uso artesanal, comercial, profesional o industrial.

### 1.2 PERSPECTIVA GENERAL



- |                                    |                            |
|------------------------------------|----------------------------|
| 1 Boquilla                         | 4 Entrada de barra de cola |
| 2 Indicador LED                    | 5 Gatillo                  |
| 3 Interruptor de encendido/apagado | 6 Piloto LED               |

### 1.3 LISTA DE EMBALAJE

- |                       |          |
|-----------------------|----------|
| 1 Pistola de encolado | 2 Manual |
|-----------------------|----------|

## 2 ADVERTENCIAS GENERALES DE SEGURIDAD PARA HERRAMIENTAS ELÉCTRICAS

### ▲ AVISO

Lea todas las advertencias de seguridad y todas las instrucciones. El incumplimiento de las advertencias e instrucciones puede provocar descargas eléctricas, incendios o lesiones graves.

Guarde todas las advertencias e instrucciones para su consulta posterior.

El término "herramienta eléctrica" empleado en las advertencias se refiere a su herramienta eléctrica con funcionamiento de red (con cable) o herramienta eléctrica con funcionamiento a batería (inalámbrica).

## 2.1 SEGURIDAD DE LA ZONA DE TRABAJO

- **Mantenga limpia y bien iluminada la zona de trabajo.** *Las zonas desordenadas u oscuras fomentan los accidentes.*
- **No utilice herramientas eléctricas en atmósferas explosivas, como en la presencia de líquidos, gases o polvo que puedan inflamarse.** *Las herramientas eléctricas generan chispas que pueden encender el polvo o los gases.*
- **Mantenga alejados a los niños y los transeúntes mientras utilice una herramienta eléctrica.** *Las distracciones pueden hacer que pierda el control.*

## 2.2 SEGURIDAD ELÉCTRICA

- **Los enchufes de las herramientas eléctricas deben corresponder con la toma de corriente. Nunca modifique el enchufe en modo alguno. No utilice enchufes adaptadores con herramientas eléctricas conectadas a tierra.** *La utilización de enchufes no modificados y de tomas de corriente adecuadas reducirá el riesgo de descarga eléctrica.*
- **Evite el contacto del cuerpo con superficies conectadas a tierra, como tuberías, radiadores, estufas y refrigeradores.** *Existe un riesgo aumentado de descarga eléctrica si su cuerpo está conectado a tierra.*
- **No exponga las herramientas eléctricas a la lluvia o a condiciones de humedad.** *Si penetra agua en una herramienta eléctrica, aumentará el riesgo de descarga eléctrica.*
- **No abuse del cable. Nunca utilice el cable para transportar, tirar o desenchufar la herramienta eléctrica. Mantenga el cable alejado del calor, el aceite, los bordes afilados o las piezas móviles.** *Los cables dañados o enredados aumentan el riesgo de descarga eléctrica.*
- **Cuando utilice una herramienta eléctrica en exteriores, use un cable alargador adecuado para uso en exterior.** *La utilización de un cable adecuado para uso en exterior reduce el riesgo de descarga eléctrica.*

## 2.3 SEGURIDAD PERSONAL

- **Manténgase alerta, observe lo que está haciendo y emplee el sentido común cuando utilice una herramienta eléctrica.** *No utilice una herramienta eléctrica mientras esté cansado o bajo la influencia de drogas, alcohol o medicamentos. Un momento de inatención durante el uso de herramientas eléctricas puede provocar lesiones personales graves.*
- **Utilice equipos de protección personal. Lleve siempre protección ocular.** *Si se utilizan equipos de protección como máscaras antipolvo, zapatos de seguridad antideslizantes, cascos o protecciones auditivas en las condiciones adecuadas, se reducirán las lesiones personales.*



- Evite el arranque accidental. Asegúrese de que el interruptor esté en la posición de apagado antes de conectar a la fuente de alimentación o a la batería y al coger o transportar la herramienta. *El transporte de herramientas eléctricas con el dedo en el interruptor o la conexión de herramientas eléctricas que tienen el interruptor activado fomenta los accidentes.*
- No se estire. Mantenga en todo momento una postura adecuada y el equilibrio. *Esto permite un mejor control de la herramienta eléctrica en situaciones inesperadas.*
- Lleve indumentaria adecuada. No lleve ropa o joyas sueltas. Mantenga el cabello, la ropa y los guantes lejos de las piezas móviles. *La ropa suelta, las joyas o el cabello largo pueden quedar atrapados en las piezas móviles.*
- Si se utilizan dispositivos para la conexión de sistemas de extracción y recogida de polvo, asegúrese de que estén conectados y se utilicen correctamente. *La utilización de sistemas de recogida de polvo puede reducir los riesgos relacionados con el polvo.*
- No permita que la familiaridad adquirida con el uso frecuente de las herramientas le permita ser confiado e ignorar los principios de seguridad de las herramientas. *Una acción descuidada puede provocar lesiones graves en una fracción de segundo.*

## 2.4 UTILIZACIÓN Y CUIDADO DE HERRAMIENTAS ELÉCTRICAS

- No fuerce la herramienta eléctrica. Utilice la herramienta eléctrica correcta para su aplicación. *La herramienta eléctrica correcta hará el trabajo mejor y con mayor seguridad a la velocidad para la que se diseñó.*
- No utilice la herramienta eléctrica si el interruptor no la enciende y la apaga. *Cualquier herramienta eléctrica que no pueda controlarse con el interruptor es peligrosa y debe repararse.*
- Desconecte el enchufe de la fuente de alimentación o la batería de la herramienta eléctrica antes de realizar ajustes, cambiar accesorios o almacenar herramientas eléctricas. *Estas medidas de seguridad preventivas reducen el riesgo de que la herramienta eléctrica se arranque accidentalmente.*
- Almacene las herramientas eléctricas inactivas fuera del alcance de los niños y no permita que personas que no estén familiarizadas con la herramienta eléctrica o estas instrucciones puedan utilizarla. *Las herramientas eléctricas son peligrosas en manos de usuarios inexpertos.*
- Mantenga las herramientas eléctricas y los accesorios. Compruebe si hay desalineación o unión de las piezas móviles, rotura de piezas y cualquier otra condición que pueda afectar al funcionamiento de la herramienta eléctrica. Si ha sufrido daños, lleve a reparar la herramienta eléctrica antes del uso. *Numerosos accidentes se deben a herramientas eléctricas mal mantenidas.*

- Mantenga limpias y afiladas las herramientas de corte. *Las herramientas de corte mantenidas correctamente con filos cortantes tienen menos probabilidades de atascarse y son más fáciles de controlar.*
- Utilice la herramienta eléctrica, los accesorios, las brocas, etc. de acuerdo con estas instrucciones, teniendo en cuenta las condiciones de trabajo y el trabajo a realizar. *El uso de la herramienta eléctrica para operaciones distintas de las previstas podría dar lugar a una situación peligrosa.*
- Mantenga las asas y las superficies de agarre secas, limpias y sin restos de aceite y grasa. *Las asas y las superficies de agarre resbaladizas no permiten un manejo y control seguros de la herramienta en situaciones inesperadas.*

## 2.5 UTILIZACIÓN Y CUIDADO DE HERRAMIENTAS A BATERÍA

- Recargue solo con el cargador especificado por el fabricante. *Un cargador adecuado para un tipo de batería crear a un riesgo de incendio cuando se utiliza con otro tipo de batería.*
- Utilice las herramientas eléctricas únicamente con las baterías designadas específicamente. *El uso de cualquier otra batería puede dar lugar a un riesgo de lesiones e incendio.*
- Cuando la batería no esté en uso, manténgala alejada de otros objetos metálicos como clips, monedas, llaves, clavos, tornillos u otros objetos metálicos pequeños que puedan hacer una conexión entre los terminales. *El cortocircuito de los terminales de la batería puede provocar quemaduras o incendios.*
- Bajo condiciones abusivas, es posible que salga líquido de la batería; evite el contacto. Si se produce un contacto accidental, aclare con abundante agua y jabón. Si el líquido entra en contacto con los ojos, acuda al médico inmediatamente. *El líquido de la batería puede provocar irritación o quemaduras.*
- No utilice una batería o una herramienta que haya sufrido daños o modificaciones. *Las baterías dañadas o modificadas pueden exhibir un comportamiento impredecible que puede dar lugar a un incendio, una explosión o un riesgo de lesiones.*
- No exponga una batería o una herramienta al fuego ni a temperatura excesiva. *La exposición al fuego o a una temperatura superior a 130 °C (266 °F) puede provocar una explosión.*
- Siga todas las instrucciones de carga y no cargue la batería o la herramienta fuera del intervalo de temperatura especificado en las instrucciones. *La carga incorrecta o a temperaturas fuera del intervalo especificado puede dañar la batería y aumentar el riesgo de incendio.*

## 2.6 SERVICIO

- **Solicite a un técnico de reparación cualificado que realice las tareas de servicio de su herramienta eléctrica utilizando únicamente piezas de repuesto idénticas.** *Esto garantizará el mantenimiento de la seguridad de la herramienta eléctrica.*
- **Nunca repare las baterías dañadas.** *La reparación de las baterías únicamente debe ser realizada por el fabricante o los proveedores de servicio técnico autorizados.*








## 3 ADVERTENCIAS DE SEGURIDAD

- Entienda el producto. Lea y siga las instrucciones de este manual.
- No desmonte ni modifique el producto.
- No utilice este producto si no está totalmente montado o si alguna pieza parece faltar o estar dañada.
- Utilice y almacene en interior en un entorno seco.
- Mantenga una buena limpieza y una iluminación suficiente en la zona de trabajo.
- Los niños no podrán realizar la limpieza ni el mantenimiento reservado al usuario.
- Utilice los accesorios especificados por el fabricante.
- Únicamente personal cualificado puede realizar los trabajos de mantenimiento.
- Cuando la herramienta no esté en uso o antes de realizar la limpieza, apáguela y retire la batería.
- No deje la herramienta desatendida mientras se usa o directamente después del uso.
- No se estire. Mantenga en todo momento una postura adecuada y el equilibrio.
- Mantenga las asas y las superficies de agarre secas, limpias y sin restos de aceite y grasa.
- Mantenga el cabello, la ropa suelta, los dedos y todas las partes del cuerpo lejos del orificio de salida, de las aberturas o de las piezas móviles.
- Para reducir el riesgo de descarga eléctrica, no utilice cerca de agua ni otros líquidos.
- No toque con las manos mojadas.
- No exponga la herramienta a la lluvia o a condiciones de humedad. Si penetra agua en una herramienta eléctrica, aumentará el riesgo de descarga eléctrica o fallo del producto.
- No utilice herramientas eléctricas en atmósferas explosivas, como en la presencia de líquidos, gases o polvo que puedan inflamarse.
- Mantenga las etiquetas y la placa de características durante toda la vida útil.
- No utilice la herramienta eléctrica si el interruptor no la enciende y la apaga. Cualquier eléctrica herramienta que no pueda controlarse con el interruptor es peligrosa y debe repararse.
- No utilice una herramienta eléctrica mientras esté cansado o bajo la influencia de drogas, alcohol o medicamentos.
- Almacene las herramientas eléctricas inactivas fuera del alcance de los niños y no permita que personas que no estén familiarizadas con la herramienta eléctrica o estas instrucciones puedan utilizarla.
- No apunte la herramienta hacia usted ni hacia alguien cercano.
- Asegúrese de que la zona de trabajo esté bien ventilada. No inhale los vapores generados durante el uso.
- Utilice equipos de protección personal. Lleve siempre gafas de seguridad y máscara antipolvo cuando utilice la herramienta.
- No utilice la herramienta en operaciones distintas de su uso previsto.
- Nunca sujete las piezas de trabajo con la mano o con cualquier parte del cuerpo durante las operaciones con la herramienta.
- Utilice con las baterías de iones de litio específicamente designadas. La utilización de otras baterías puede provocar un incendio.
- Recargue la batería con los cargadores específicamente designados. La utilización de otros cargadores puede provocar un incendio.
- No sumerja en agua.
- Este aparato (para el cargador adjunto) tiene un enchufe polarizado (una patilla es más ancha que la otra). Para reducir el riesgo de descarga eléctrica, este enchufe se ha diseñado para encajar en una toma de corriente polarizada en un único sentido. Si el enchufe no encaja completamente en la toma, invierta el enchufe. Si sigue sin encajar, contacte con un electricista homologado. Nunca modifique el enchufe en modo alguno.
- Las pistolas de encolado con funcionamiento a batería y que tienen una parte trasera desmontable deben recargarse únicamente con el cargador especificado para la batería. Un cargador adecuado para un tipo de batería puede dar lugar a un riesgo de incendio cuando se usa con otra batería.
- Utilice la pistola de encolado con funcionamiento a batería únicamente con la batería específicamente diseñada. El uso de cualquier otra batería puede dar lugar a un riesgo de incendio.
- No incinere la pistola de encolado incluso si está gravemente dañada. Las baterías pueden explotar en un incendio.
- Puede producirse un incendio si el aparato no se utiliza con cuidado, por tanto
  - tenga cuidado cuando utilice el aparato en lugares donde haya materiales combustibles;
  - no lo aplique en el mismo lugar durante mucho tiempo;
  - no utilice en presencia de una atmósfera explosiva;
  - tenga en cuenta que el calor puede ser conducido a materiales combustibles que están fuera de la vista;

- coloque el aparato en su soporte después del uso y deje que se enfríe antes de almacenarlo;
- no deje el aparato sin vigilancia cuando esté encendido.
- Este aparato no debe ser utilizado por personas (niños incluidos) con una discapacidad física, sensorial o mental, o que no tengan experiencia ni conocimientos, a menos que hayan recibido supervisión o instrucción sobre el uso del aparato por una persona responsable de su seguridad. Supervise siempre a los niños para asegurarse de que no jueguen con el aparato.

## 4 SÍMBOLOS EN EL PRODUCTO

Los siguientes símbolos son importantes para leer y entender las instrucciones de funcionamiento. Tome nota de los símbolos y sus significados. La interpretación correcta de los símbolos le ayudará a utilizar la máquina de una manera mejor y más segura.

Símbolo	Explicación
V	Tensión
— — —	Corriente continua
	Precauciones que afectan a su seguridad.
	Debe leer y entender todas las instrucciones antes de manejar el producto, así como seguir todas las advertencias e instrucciones de seguridad.
	Lleve protección ocular.
	Lleve una máscara antipolvo.
	Lleve guantes de protección.
	Mantenga alejadas las manos.
	No exponga el producto a la lluvia o a condiciones de humedad.

## 5 ELIMINACIÓN DE BATERÍA SEGURA PARA EL MEDIO AMBIENTE



Los materiales tóxicos y corrosivos que figuran a continuación se encuentran en las baterías utilizadas en esta máquina: **Ion de litio, un material tóxico.**

### ▲ AVISO

Deseche todos los materiales tóxicos de una manera especificada para evitar la contaminación del medio ambiente. Antes de desechar una batería de ion de litio dañada o agotada, contacte con la agencia local de eliminación de residuos o con la agencia de protección ambiental local para obtener información e instrucciones específicas. Lleve las baterías a un centro de reciclaje o eliminación local, certificado para la eliminación de ion de litio.

### ▲ AVISO

Si la batería se agrieta o se rompe, con o sin fugas, no la recargue ni la utilice. Deséchela y sustitúyala por una batería nueva. **¡NO INTENTE REPARARLA!** Para evitar lesiones y riesgos de incendio, explosión o descarga eléctrica, y para evitar daños al medio ambiente:

- Cubra los terminales de la batería con cinta adhesiva resistente.
- NO intente retirar o destruir ninguno de los componentes de la batería.
- NO intente abrir la batería.
- Si se produce una fuga, los electrolitos liberados son corrosivos y tóxicos. NO deje que la solución entre en contacto con los ojos o la piel, y no la ingiera.
- NO deseche estas baterías con la basura doméstica normal.
- NO incinere.
- NO lleve las baterías a lugares donde formarán parte de vertederos de residuos o flujos de residuos sólidos urbanos.
- Llévelas a un centro de reciclaje o eliminación certificado.

## 6 NIVELES DE RIESGO

Las siguientes indicaciones y los significados explican los niveles de riesgo asociados a este producto.

SÍMBOLO	INDICACIÓN	SIGNIFICADO
	PELIGRO	Indica una situación de peligro inminente que, de no evitarse, provocará lesiones graves o incluso la muerte.
	ADVERTENCIA	Indica una situación de peligro potencial que, de no evitarse, podría provocar lesiones graves o incluso la muerte.
	PRECAUCIÓN	Indica una situación de peligro potencial que, de no evitarse, puede provocar lesiones leves o moderadas.
	PRECAUCIÓN	(Sin símbolo de alerta sobre seguridad) Indica una situación que puede provocar daños materiales.

## 7 PROPUESTA 65

### ▲ AVISO

Este producto contiene una sustancia química conocida en el estado de California como causante de cáncer, defectos de nacimiento u otros daños reproductivos. El polvo generado por el lijado eléctrico, el serrado, el esmerilado, la perforación y otras actividades de construcción contiene sustancias químicas que se sabe que son causantes de cáncer, defectos de nacimiento u otros daños reproductivos. Algunos ejemplos de estas sustancias químicas son:

- Plomo de pinturas con base de plomo;
- Sílice cristalina de ladrillos y cemento y otros productos de albañilería;
- Arsénico y cromo de la madera tratada químicamente.

El riesgo de exposición a estas sustancias químicas varía según la frecuencia con la que realice este tipo de trabajo. Para reducir su exposición a estas sustancias químicas, trabaje en una zona bien ventilada y trabaje con equipos de seguridad aprobados, como máscaras antipolvo, que estén especialmente diseñadas para filtrar partículas microscópicas.

Conserve estas instrucciones.

## 8 INSTALACIÓN

### 8.1 DESEMBALAJE DE LA MÁQUINA

#### ▲ AVISO

Asegúrese de montar correctamente la máquina antes del uso.

#### ▲ AVISO

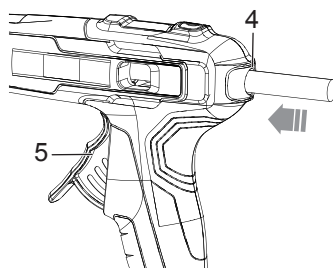
- Si las piezas de la máquina presentan daños, no utilice la máquina.
- Si no tiene todas las piezas, no utilice la máquina.
- Si faltan piezas o hay piezas dañadas, contacte con el centro de servicio.

1. Abra el embalaje.
2. Lea la documentación que se proporciona en la caja.
3. Retire todas las piezas sin montar de la caja.
4. Retire la máquina de la caja.
5. Deseche la caja y el material de embalaje de conformidad con los reglamentos locales.

#### ▲ AVISO

Por su seguridad personal, no inserte la batería antes de haber montado la herramienta por completo.

### 8.2 INSTALACIÓN DE LA BARRA DE COLA

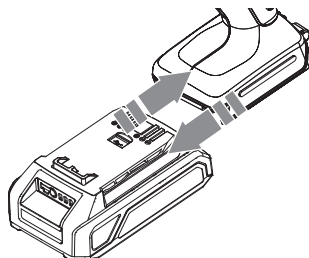


#### ▲ AVISO

No introduzca ningún otro objeto en la entrada de la barra de cola, excepto la barra de cola especificada.

1. Inserte la barra de cola en la entrada de la barra de cola (4) y deslicela suavemente hacia abajo.
2. Apriete el gatillo (5) varias veces para que la barra de cola avance.

### 8.3 INSTALACIÓN DE LA BATERÍA



## ▲ AVISO

- Si la batería o el cargador ha sufrido daños, sustituya la batería o el cargador.
- Detenga la máquina y espere hasta que el motor se pare antes de instalar o retirar la batería.
- Debe leer, conocer y seguir las instrucciones del manual de la batería y el cargador.

1. Alinee las nervaduras de elevación de la batería con las ranuras del compartimento de la batería.
2. Introduzca la batería en el compartimento de la batería hasta que encaje en su posición.
3. Cuando escuche un clic, la batería está instalada.

## 8.4 RETIRADA DE LA BATERÍA

1. Pulse y mantenga pulsado el botón de desbloqueo de la batería.
2. Retire la batería de la máquina.

## 9 FUNCIONAMIENTO

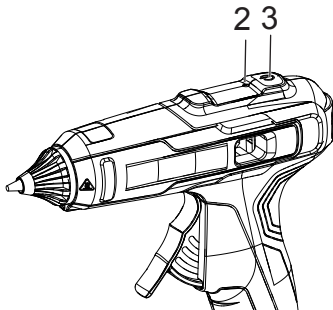
### ▲ AVISO

Lleve siempre protección ocular.

### ▲ AVISO

No utilice ningún accesorio no recomendado por el fabricante de este producto.

## 9.1 PUESTA EN MARCHA DE LA MÁQUINA



1. Pulse y mantenga el interruptor de encendido/apagado (3) durante 3 segundos para encender la máquina.
2. El indicador LED (2) se ilumina en rojo para indicar que la máquina se está calentando.
3. El indicador LED (2) se ilumina en verde después de aproximadamente 90 segundos para indicar que la máquina está lista para su uso.

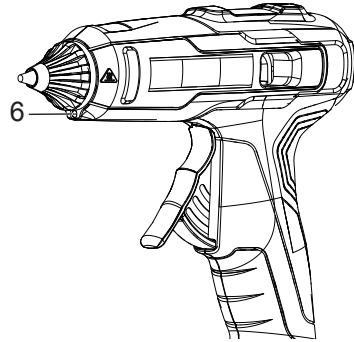
## 9.2 DETENCIÓN DE LA MÁQUINA

1. Mantenga pulsado el interruptor de encendido/apagado hasta que el indicador LED se apague.

### ▲ PRECAUCIÓN

La boquilla permanecerá caliente durante unos minutos. Deje que la boquilla se enfríe y que la cola se solidifique antes de almacenar.

## 9.3 PILOTO LED



El piloto LED (6) se ilumina cuando se aprieta el interruptor de encendido/apagado.

Ofrece luz adicional para una mayor visibilidad.

## 9.4 APLICACIÓN DE LA COLA CALIENTE

1. Instale la batería y active el interruptor de encendido/apagado.
2. Coloque la boquilla de la pistola de encolado hacia el área de destino cuando el indicador LED se ilumine en verde.
3. Apriete ligeramente el gatillo hasta que la cola caliente salga de la boquilla.

### i NOTA

El caudal de cola caliente depende de la presión ejercida sobre el gatillo.

4. Suelte el gatillo para detener el flujo de cola.
5. Desconecte el interruptor tras el uso.
6. Deje que la barra de cola y la boquilla de la pistola de encolado se enfríen completamente.

## 10 MANTENIMIENTO

### ▲ PRECAUCIÓN

No permita que líquidos de frenos, gasolina y otros derivados del petróleo toquen las piezas de plástico. Las sustancias químicas pueden dañar el plástico y hacer que quede inservible.

### ▲ PRECAUCIÓN

No utilice disolventes o detergentes fuertes en la carcasa o los componentes de plástico.

### ▲ AVISO

Retire la batería de la máquina antes de realizar tareas de mantenimiento.

## 10.1 LIMPIEZA Y MANTENIMIENTO

- Apague la máquina y no la encienda antes de realizar trabajos de mantenimiento o limpieza.
- Utilice únicamente los accesorios y las piezas de repuesto recomendados por el fabricante.
- Realice periódicamente inspecciones y tareas de mantenimiento en la máquina. Haga que la máquina sea reparada únicamente por un técnico autorizado.
- Cuando no esté en uso, guarde la máquina fuera del alcance de los niños.
- La máquina debe mantenerse siempre limpia y el material de sellado que quede en la máquina debe limpiarse para asegurarse de que la máquina esté en buenas condiciones para el siguiente uso.
- Los restos de material adhesivo pueden provocar la rotura de la máquina.

## 11 DATOS TÉCNICOS

Tensión	24 V
Potencia nominal	40 W
Capacidad	5 g/min
Tiempo de calentamiento	90 s
Tamaño de barra de cola	Ø 11 mm x 150 mm
Peso (sin batería)	0.84 lbs (0.38 kg)
Modelo de batería	LB24A020//BAG708 y otras series BAG
Modelo de cargador	2978602/2903102 y otras series CAG

## 12 GARANTÍA LIMITADA



Por la presente Greenworks garantiza este producto, al comprador original con el comprobante de compra, durante un periodo de tres (3) años frente a defectos en materiales, piezas o mano de obra. A su entera discreción Greenworks reparará o sustituirá cualquiera y todas las piezas que resulten ser defectuosas, con un uso normal, sin coste alguno para el cliente. Esta garantía es válida únicamente para unidades que se hayan utilizado para uso personal que no han sido compradas o alquiladas para uso industrial/comercial y cuyo mantenimiento se ha realizado de acuerdo con las instrucciones del manual del propietario suministrado con el producto nuevo.

### ARTÍCULOS NO CUBIERTOS POR LA GARANTÍA:

1. Cualquier pieza que no funcione debido a mal uso, uso comercial, abuso, negligencia, accidente, mantenimiento inadecuado o alteración; o
2. La unidad, si no ha sido utilizada o mantenida de acuerdo con el manual del propietario; o
3. Desgaste normal;
4. Artículos de mantenimiento de rutina tales como lubricantes, afilado de cuchillas;
5. Deterioro normal del acabado exterior debido al uso o la exposición.

### LÍNEA DE ASISTENCIA TELEFÓNICA:

Puede contactar con el servicio de garantía llamando a nuestra línea de asistencia telefónica gratuita a 1-888-909-6757.

### COSTES DE TRANSPORTE:

Los costes de transporte por el desplazamiento de cualquier unidad o accesorio de equipos eléctricos son responsabilidad del comprador. Es responsabilidad del comprador pagar los costes de transporte de cualquier pieza enviada para su sustitución bajo esta garantía, a menos que dicha devolución sea solicitada por escrito por Greenworks.

### Dirección en EE.UU.: Dirección en Canadá:

Greenworks Tools	Greenworks Tools Canada, Inc.
P.O. Box 1238	P.O. Box 93095, Newmarket,
	Ontario
Mooresville, NC 28115	L3Y 8K3



