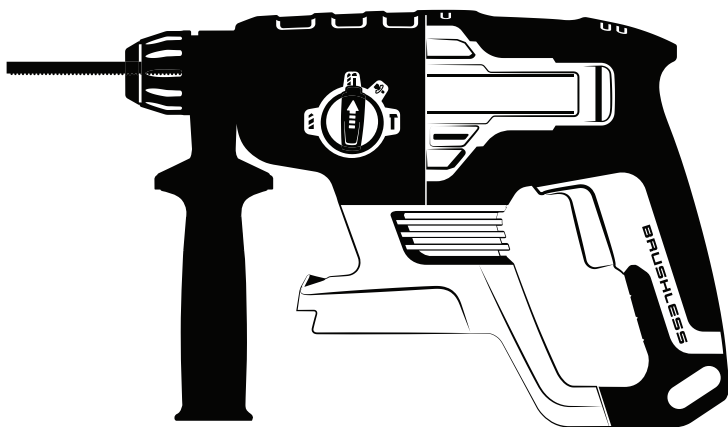


# greenworks

EN	SDS ROTARY HAMMER	OPERATOR MANUAL
FR	MARTEAU PERFORATEUR SDS	MANUEL D'OPÉRATEUR
ES	MARTILLO GIRATORIO SDS	MANUAL DEL OPERADOR



**HMD401**

[www.greenworkstools.com](http://www.greenworkstools.com)  
[www.shopgreenworksgear.com](http://www.shopgreenworksgear.com)



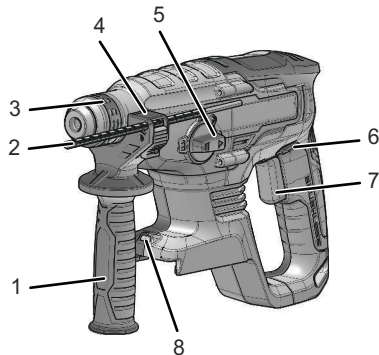
<b>1</b>	<b>Description.....</b>	<b>4</b>	8.2	Install the battery pack.....	7
1.1	Purpose.....	4	8.3	Remove the battery pack.....	7
1.2	Overview.....	4	8.4	Install the bit.....	7
<b>2</b>	<b>General power tool safety</b>		8.5	Remove the bit.....	7
	<b>warnings.....</b>	<b>4</b>	8.6	Install the auxiliary handle.....	8
2.1	Work area safety.....	4	<b>9</b>	<b>Operation.....</b>	<b>8</b>
2.2	Electrical safety.....	4	9.1	Start the machine.....	8
2.3	Personal safety.....	4	9.2	Stop the machine.....	8
2.4	Power tool use and care.....	5	9.3	Forward / reverse switch.....	8
2.5	Battery tool use and care.....	5	9.4	Adjust the depth rod.....	9
2.6	Service.....	5	9.5	Select the mode.....	9
<b>3</b>	<b>Hammer safety warnings.....</b>	<b>5</b>	9.6	Drill.....	9
<b>4</b>	<b>Additional safety and working</b>		9.7	Drill materials.....	9
	<b>instruction.....</b>	<b>5</b>	<b>10</b>	<b>Maintenance.....</b>	<b>10</b>
<b>5</b>	<b>Proposition 65.....</b>	<b>6</b>	10.1	Fit and change the SDS bit.....	10
<b>6</b>	<b>Symbols on the product.....</b>	<b>6</b>	10.2	Clean the machine.....	10
<b>7</b>	<b>Risk levels.....</b>	<b>7</b>	<b>11</b>	<b>Technical data.....</b>	<b>10</b>
<b>8</b>	<b>Installation.....</b>	<b>7</b>	<b>12</b>	<b>Limited warranty.....</b>	<b>10</b>
8.1	Unpack the machine.....	7	<b>13</b>	<b>Exploded view.....</b>	<b>11</b>

## 1 DESCRIPTION

### 1.1 PURPOSE

The machine is intended for hammer drilling in concrete, bricks and masonry, as well as for light chiselling work. It is also suitable for drilling without impact in wood, metal, ceramics and plastic, as well as for screwdriving.

### 1.2 OVERVIEW



- |                        |                     |
|------------------------|---------------------|
| 1 Auxiliary Handle     | 5 Mode Selector     |
| 2 Depth Rod            | 6 Forward / Reverse |
| 3 SDS Chuck            | 7 Trigger           |
| 4 Depth Rod Adjustment | 8 LED Light         |

## 2 GENERAL POWER TOOL SAFETY WARNINGS

### ▲ WARNING

Read all safety warnings and all instructions. Failure to follow the warnings and instructions may result in electric shock, fire and/or serious injury.

Save all warnings and instructions for future reference.

The term "power tool" in the warnings refers to your mains-operated (corded) power tool or battery-operated (cordless) power tool.

### 2.1 WORK AREA SAFETY

- **Keep work area clean and well lit.** Cluttered or dark areas invite accidents.
- **Do not operate power tools in explosive atmospheres, such as in the presence of flammable liquids, gases or dust.** Power tools create sparks which may ignite the dust or fumes.
- **Keep children and bystanders away while operating a power tool.** Distractions can cause you to lose control.
- **The machine is not intended for use by persons (including children) with reduced physical, sensory or**

**mental capabilities, or lack of experience and knowledge, unless they have been given supervision or instruction concerning use of the machine by a person responsible for their safety. Children should be supervised to ensure that they do not play with the machine.**

### 2.2 ELECTRICAL SAFETY

- **Power tool plugs must match the outlet. Never modify the plug in any way. Do not use any adapter plugs with earthed (grounded) power tools.** Unmodified plugs and matching outlets will reduce risk of electric shock.
- **Avoid body contact with earthed or grounded surfaces, such as pipes, radiators, ranges and refrigerators.** There is an increased risk of electric shock if your body is earthed or grounded.
- **Do not expose power tools to rain or wet conditions.** Water entering a power tool will increase the risk of electric shock.
- **Do not abuse the cord. Never use the cord for carrying, pulling or unplugging the power tool. Keep cord away from heat, oil, sharp edges and moving parts.** Damaged or entangled cords increase the risk of electric shock.
- **When operating a power tool outdoors, use an extension cord suitable for outdoor use.** Use of a cord suitable for outdoor use reduces the risk of electric shock.
- **If operating a power tool in a damp location is unavoidable, use a RESIDUAL CURRENT DEVICE (RCD) protected supply.** Use of an RCD reduces the risk of electric shock.

### 2.3 PERSONAL SAFETY

- **Stay alert, watch what you are doing and use common sense when operating a power tool. Do not use a power tool while you are tired or under the influence of drugs, alcohol or medication.** A lapse of attention while operating power tools may result in serious personal injury.
- **Use personal protection. Always wear eye protection.** Protective products such as dust mask, non-skid safety shoes, hard hat or hearing protection used appropriately will reduce personal injuries.
- **Prevent unintentional starting. Ensure the switch is in the off position before connecting to power source and/or battery pack and when picking up or carrying the tool.** Carrying power tools with your finger on the switch or energizing power tools that have the switch on invites accidents.
- **Remove any adjusting key or wrench before turning the power tool on.** A wrench or a key left attached to a rotating part of the power tool may result in personal injury.
- **Do not over-reach. Keep proper footing and balance at all times.** This enables better control of the power tool in unexpected situations.

- **Dress properly. Do not wear loose clothing or jewellery. Keep your hair, clothing and gloves away from moving parts.** *Loose clothes, jewellery or long hair can be caught in moving parts.*
- **If devices are provided for the connection of dust extraction and collection facilities, ensure these are connected and properly used.** *Use of dust collection can reduce dust related hazards.*

## 2.4 POWER TOOL USE AND CARE

- **Do not force the power tool. Use the correct power tool for your application.** *The correct power tool will do the job better and safer at the rate for which it was designed.*
- **Do not use the power tool if the switch does not turn it on and off.** *Any power tool that cannot be controlled with the switch is dangerous and must be repaired.*
- **Disconnect the plug from the power source and/or the battery pack from the power tool before making any adjustments, changing accessories, or storing power tools.** *Such preventive safety measures reduce the risk of starting the power tool accidentally.*
- **Store idle power tools out of the reach of children and do not allow persons unfamiliar with the power tool or these instructions to operate the power tool.** *Power tools are dangerous in the hands of untrained users.*
- **Maintain power tools. Check for misalignment or binding of moving parts, breakage of parts and any other condition that may affect the power tool's operation. If damaged, have the power tool repaired before use.** *Many accidents are caused by poorly maintained power tools.*
- **Keep cutting tools sharp and clean.** *Properly maintained cutting tools with sharp cutting edges are less likely to bind and are easier to control.*
- **Use the power tool, accessories and tool bits etc. in accordance with these instructions, taking into account the working conditions and the work to be performed.** *Use of the power tool for operations different from those intended could result in a hazardous situation.*

## 2.5 BATTERY TOOL USE AND CARE

- **Recharge only with the charger specified by the manufacturer.** *A charger that is suitable for one type of battery pack may create a risk of fire when used with another battery pack.*
- **Use power tools only with specifically designated battery packs.** *Use of any other battery packs may create a risk of injury and fire.*
- **When battery pack is not in use, keep it away from other metal objects like paper clips, coins, keys, nails, screws, or other small metal objects that can make a connection from one terminal to another.** *Shorting the battery terminals together may cause burns or fire.*
- **Under abusive conditions, liquid may be ejected from the battery; avoid contact. If contact accidentally occurs, flush with plenty of soap and water. If liquid**

**contacts eyes, immediately seek medical help.** *Liquid ejected from the battery may cause irritation or burns.*

## 2.6 SERVICE

- **Have your power tool serviced by a qualified repair person using only identical replacement parts.** This will ensure that the safety of the power tool is maintained.

## 3 HAMMER SAFETY WARNINGS

- **Wear ear protectors.** *Exposure to noise can cause hearing loss.*
- **Use auxiliary handle(s), if supplied with the tool.** *Loss of control can cause injury.*
- **Hold the power tool by insulated gripping surfaces, when performing an operation where the cutting accessory may contact hidden wiring.** *Cutting accessory contacting a "live" wire may make exposed metal parts of the power tool "live" and could give the operator an electric shock.*

## 4 ADDITIONAL SAFETY AND WORKING INSTRUCTION

- When transporting and storing, set the rotational direction switch to the centre position. Risk of injury when accidentally actuating the On/Off switch.
- Use appropriate detectors to find if utility lines are hidden in the work area or call the local utility company for aid. Contact with electric lines can lead to fire and electrical shock. Damaging a gas line can lead to explosion. Penetrating a water line causes property damage.
- Firmly tighten the auxiliary handle, hold the machine firmly with both hands while working and keep proper footing and balance at all times. The machine is securely guided with both hands.
- Secure the workpiece. A workpiece clamped with clamping devices or in a vice is held more secure than by hand.
- For drilling without impact in wood, metal, ceramic and plastic as well as for screwdriving, tools without SDS-plus are used (e.g. drills with cylindrical shank). For these tools, a keyless chuck or a key type drill chuck are required.
- The quick change chuck is automatically locked. Check the locking effect by pulling the quick change chuck.
- Replace a damaged dust protection cap immediately. The dust protection cap largely prevents the penetration of drilling dust into the tool holder during operation. When

inserting the tool, pay attention that the dust protection cap is not damaged.

- Dusts from materials such as lead-containing coatings, some wood types, minerals and metal can be harmful to one's health and cause allergic reactions, lead to respiratory infections and/or cancer. Materials containing asbestos may only be worked by specialists.
  1. As far as possible, use a dust extraction system suitable for the material.
  2. Provide for good ventilation of the working place.
  3. It is recommended to wear a P2 filter-class respirator.
- Prevent dust accumulation at the workplace. Dusts can easily ignite.
- To save energy, only switch the power tool on when you use it.
- Apply the power tool to the screw/nut only when it is switched off. Rotating tool inserts can slip off.
- If the apply tool become blocked, turn the machine off. Loosen the apply tool.
- When switching on with a blocked drilling tool, high torque reaction can occur.
- Always wait until the machine has come to a complete stop before placing it down. The tool insert can jam and lead to loss of control over the power tool.
- Prevent accidental switch. Make sure that On/Off switch is in the off position to insert the battery pack.
- Do not open the battery. Risk of short-circuiting.
- In case of damage and improper use of the battery, vapours may be emitted. Ventilate the area and seek medical help in case of complaints. The vapours can irritate the respiratory system.
- Use the battery only in access with your power tool. This measure prevents the battery against dangerous overload.
- Charge the battery pack only with the recommended charger.
- The battery has some power. Fully charge the battery when you use it for the first time.
- Read the operator instructions of the battery charger.
- Check the tight position of the battery. Two lock levels are possible.

## 5 PROPOSITION 65

### ▲ WARNING

This product contains a chemical known to the state of California to cause cancer, birth defects or other reproductive harm. Some dust created by power sanding, sawing, grinding, drilling, and other construction activities contains chemicals known to cause cancer, birth defects or other reproductive harm. Some examples of these chemicals are:

- Lead from lead-based paints;
- Crystalline silica from bricks and cement and other masonry products;
- Arsenic and chromium from chemically treated lumber.



Your risk of exposure to these chemicals varies depending on how often you do this type of work. To reduce your exposure to these chemicals, work in a well-ventilated area, and work with approved safety equipment, such as dust masks that are specially designed to filter out microscopic particles.

Save these instructions.

## 6 SYMBOLS ON THE PRODUCT




Some of the following symbols may be used on this tool. Please study them and learn their meaning. Proper interpretation of these symbols will allow you to operate the tool better and safer.

Symbol	Explanation
V	Voltage
≡	Direct current
	Read all safety warnings and all instructions.
	Wear eye protection
	Wear ear protection
	Wear safety gloves
	Drilling without impact
	Hammer drilling
	Chiselling

Symbol	Explanation
	Screwdriving
	Do not touch rotating part.

## 7 RISK LEVELS

The following signal words and meanings are intended to explain the levels of risk associated with this product.

SYM-BOL	SIGNAL	MEANING
	DANGER	Indicates an imminently hazardous situation, which, if not avoided, will result in death or serious injury.
	WARNING	Indicates a potentially hazardous situation, which, if not avoided, could result in death or serious injury.
	CAUTION	Indicates a potentially hazardous situation, which, if not avoided, may result in minor or moderate injury.
	CAUTION	(Without Safety Alert Symbol) Indicates a situation that may result in property damage.

## 8 INSTALLATION

### 8.1 UNPACK THE MACHINE

#### ▲ WARNING

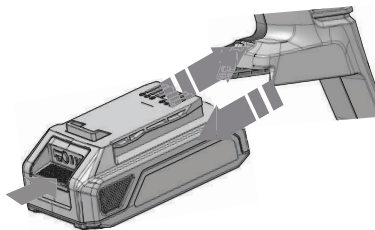
Make sure that you correctly assemble the machine before use.

#### ▲ WARNING

- If the parts are damaged, do not use the machine.
- If you do not have all the parts, do not operate the machine.
- If the parts are damaged or missing, speak to the service center.

1. Open the package.
2. Read the documentation in the box.
3. Remove all the unassembled parts from the box.
4. Remove the machine from the box.
5. Discard the box and package in compliance with local regulations.

### 8.2 INSTALL THE BATTERY PACK



#### ▲ WARNING

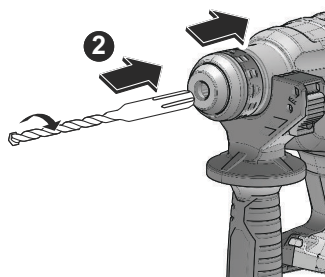
- If the battery pack or charger is damaged, replace the battery pack or the charger.
- Stop the machine and wait until the motor stops before you install or remove the battery pack.
- Read, know, and do the instructions in the battery and charger manual.

1. Align the lift ribs on the battery pack with the grooves in the battery compartment.
2. Push the battery pack into the battery compartment until the battery pack locks into place.
3. When you hear a click, the battery pack is installed.

### 8.3 REMOVE THE BATTERY PACK

1. Push and hold the battery release button.
2. Remove the battery pack from the machine.

### 8.4 INSTALL THE BIT

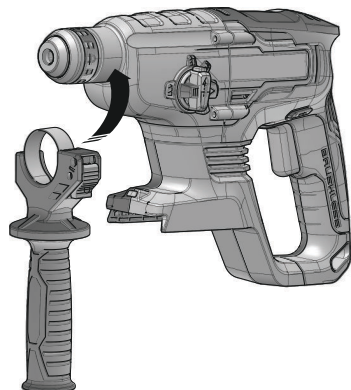


1. Push forward / reverse switch in "neutral" position to lock the trigger.
2. Pull back on the clamp collar and hold in position.
3. Put bit into coupler.
4. Release the clamp collar.

### 8.5 REMOVE THE BIT

1. Pull back the clamp collar and remove the bit.

### 8.6 INSTALL THE AUXILIARY HANDLE



1. Turn the handle counterclockwise to loosen the handle assembly.
2. Move handle into desired position.
3. Turn the handle clockwise to tighten.

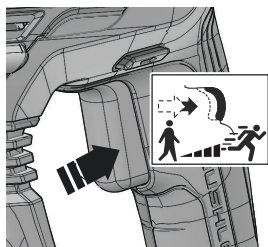
**i NOTE**  
 Make sure the auxiliary handle is tightly connected to the depth stop rod clamp. This attaches the depth stop rod at the necessary depth of cut. It also holds the auxiliary handle.

## 9 OPERATION

**▲ WARNING**  
 Always wear eye protection.

**▲ WARNING**  
 Do not use any attachments or accessories not recommended by the manufacturer of this product.

### 9.1 START THE MACHINE



**i NOTE**  
 The machine can not work until the forward / reverse switch is pushed fully to the left or right. Do not operate the machine at low speeds for extended periods of time.

1. Pull the trigger to turn the machine ON.

#### Variable speed

The machine has a variable speed switch that delivers higher speed with increased trigger pressure and lower speed with decreased trigger pressure.

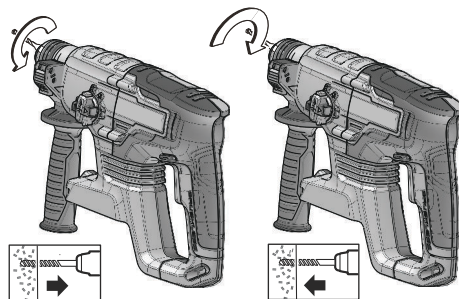
### 9.2 STOP THE MACHINE

1. Release the trigger to turn the machine OFF.

**▲ WARNING**  
 Release the trigger and allow the machine to come to a complete stop.

### 9.3 FORWARD / REVERSE SWITCH

The machine has the switch(forward/reverse) above the switch trigger to change the rotation.



1. When the switch is on the left side of the switch trigger, the bit direction is forward (tightening).
2. When the switch is on the right side of the switch trigger, the bit direction is reversed (loosening).
3. Put the forward/reverse switch in the OFF (center lock) position to help decrease the possibility of accidental starting when not operating.

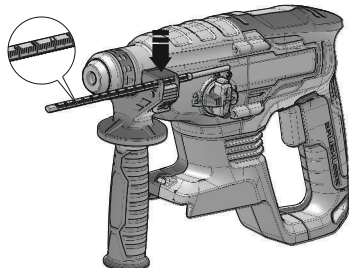
**▲ WARNING**  
 Release the trigger and allow the machine to come to a complete stop.

**▲ WARNING**  
 Let the chuck to come to a complete stop before changing the direction of rotation.



**i NOTE**

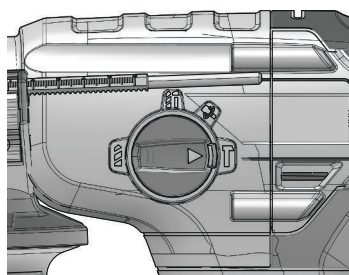
The machine does not operate until the forward / reverse switch is pushed fully to the left or right.

**9.4 ADJUST THE DEPTH ROD**

1. Push forward / reverse switch in "neutral" position to lock the trigger.
2. Push the rod adjustment button.
3. Adjust the depth stop rod to get the necessary drilling depth.
4. Release the rod adjustment button.

**i NOTE**

When correctly installed, the teeth on the depth stop rod must be aligned with the teeth indicator on the depth stop rod clamp.

**9.5 SELECT THE MODE**

To change the operation mode, push the release button and turn the mode selection switch to the correct position until it clicks.

The machine is used for four functions: drill, hammer, hammer drill, chisel, vari-lock and rotation stop.

**i NOTE**

Hammer drilling mode can destroy the structure of the machine when used for fastening or drilling without SDS Plus bits.

Use bits only with hard metal and SDS Plus shaft only.

**i NOTE**

When hammer drilling, do not apply too much pressure.

**9.6 DRILL**

1. Examine the direction of rotation selector for the correct setting (forward or reverse).
2. Attach the material to be drilled in a vise or with clamps to keep it from turning.
3. Hold the drill tightly and put the bit at the correct position.
4. Push the trigger to start the drill.
5. Move the drill bit into the workpiece and apply only sufficient pressure to keep the bit cutting. Do not force the drill or apply side pressure to elongate a hole.
6. When drilling on hard or smooth surfaces, use a center punch to identify the necessary hole location. This can prevent the drill bit from moving from the center.
7. When drilling metals, use a light oil on the drill bit to keep it from overheating. The oil can prolong the life of the bit and increase the drilling action.
8. If the bit jams in the workpiece or if the drill stalls, stop the machine immediately. Remove the bit from the workpiece and determine the reason for jamming.

**▲ WARNING**

Drills have a tendency to grab and kick opposite to the direction of rotation and could cause loss of control when breaking through material. If not prepared, this loss of control can result in possible serious injury.

**i NOTE**

This drill has an electric brake. Release the trigger to stop the chuck from turning. When the brake is working correctly, sparks can be seen through the exhaust slots on the housing. This is normal and is the action of the brake.

**9.7 DRILL MATERIALS****WOOD DRILLING**

For maximum performance, use high speed steel bits for wood drilling.

1. Operate the machine at a very low speed to prevent the bit from slipping off the starting point. Increase the speed as the drill bit bites into the material.
2. When drilling through holes, put a piece of wood behind the workpiece to prevent ragged or splintered edges on the rear side of the hole.

**METAL DRILLING**

For maximum performance, use high speed steel bits for metal or steel drilling.

1. Operate the machine at a very low speed to prevent the bit from slipping off the starting point.
2. Hold a speed and pressure which let cut without overheating the bit. Apply too much pressure can: Overheat the drill; Wear the bearings; Bend or burn bits; and Produce off-center or irregular-shaped holes.
3. When drilling large holes in metal, start with a small bit, then complete with a large bit. Also, lubricate the bit with oil to improve drilling action and increase bit life.

### MASONRY DRILLING

For maximum performance, use carbide-tipped masonry impact bits when drilling holes in brick, tile, concrete, etc..

1. Move adjustment button on hammer drill left for hammer mode.
2. Apply light pressure and medium speed for best results in brick.
3. When drilling holes in tile, practice on a scrap piece to find the best speed and pressure. Operate the machine at a very low speed to prevent the bit from slipping off the starting point.

## 10 MAINTENANCE

### ▲ WARNING

Remove the battery pack from the machine before maintenance.

### ▲ WARNING

Do not use strong solvents or detergents on the plastic housing or components.

### 10.1 FIT AND CHANGE THE SDS BIT

This machine is equipped with an SDS Plus connection system.

1. Clean the bit and grease it with machine grease before inserting it into the chuck.
2. Pull back the clamp collar and hold it.
3. Push and turn the dust-free tool into the bit holder as far as it can go.
4. Release the clamp collar to lock the bit.
5. Examine that bit has locked by pulling on it.

### 10.2 CLEAN THE MACHINE

### ▲ CAUTION

The machine must be dry. Humidity can cause risks of electrical shocks.

- Clear the unwanted material out of the air vent with a vacuum cleaner.
- Do not spray the air vent or put the air vent in solvents.
- Clean the housing and the plastic components with a moist and soft cloth.

## 11 TECHNICAL DATA

Voltage	24 V
NoLoad Speed	0~1000 min <sup>-1</sup>
Impact Rate	0~4500 min <sup>-1</sup>
Single Impact force (EPTA)	2 J
Concrete Drilling Dia	24 mm
Stone Drilling Dia	24 mm
Steel Drilling Dia	13 mm
Wood Drilling Dia	32 mm
Weight Without Battery	5.44 lbs
Battery Model	BAG709 and other BAG series
Charger Model	CAG801 and other CAG series

The recommended ambient temperature range:

Item	Temperature
Appliance storage temperature range	32°F (0°C) - 113°F (45°C)
Appliance operation temperature range	32°F (0°C) - 113°F (45°C)
Battery charging temperature range	39°F (4°C) - 104°F (40°C)
Charger operation temperature range	39°F (4°C) - 104°F (40°C)
Battery storage temperature range	32°F (0°C) - 113°F (45°C)
Battery discharging temperature range	32°F (0°C) - 113°F (45°C)

## 12 LIMITED WARRANTY



Greenworks hereby warrants this product, to the original purchaser with proof of purchase, for a period of three (3) years against defects in materials, parts or workmanship. Greenworks, at its own discretion, will repair or replace any and all parts found to be defective, through normal use, free of charge to the customer. This warranty is valid only for units which have been used for personal use that have not been purchased or rented for industrial/commercial use, and

that have been maintained in accordance with the instructions in the owners' manual supplied with the product when new.

#### ITEMS NOT COVERED BY WARRANTY:

1. Any part that has become inoperative due to misuse, commercial use, abuse, neglect, accident, improper maintenance, or alteration; or
2. The unit, if it has not been operated and/or maintained in accordance with the owner's manual; or
3. Normal wear;
4. Routine maintenance items such as lubricants, blade sharpening;
5. Normal deterioration of the exterior finish due to use or exposure.

#### HELPLINE:

Warranty service is available by calling our toll-free helpline at 1-888-909-6757.

#### TRANSPORTATION CHARGES:

Transportation charges for the movement of any power equipment unit or attachment are the responsibility of the purchaser. It is the purchaser's responsibility to pay transportation charges for any part submitted for replacement under this warranty unless such return is requested in writing by Greenworks.

#### USA address:

Greenworks Tools

P.O. Box 1238

Mooresville, NC 28115

#### Canadian address:

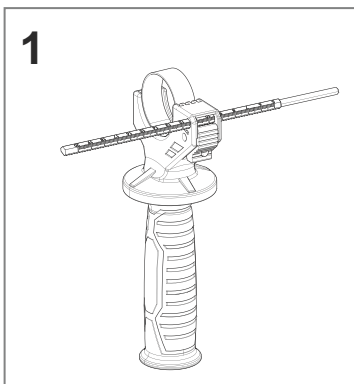
Greenworks Tools Canada, Inc.

P.O. Box 93095, Newmarket,  
Ontario

L3Y 8K3

No.	QTY	Description
R0203225-00	1	Axiliary Handle (Include The Depth Adjust with the handle)

## 13 EXPLODED VIEW



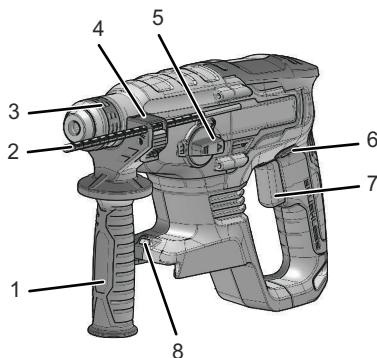
<b>1</b>	<b>Description.....</b>	<b>13</b>			
1.1	But.....	13	8.1	Déballer la machine.....	16
1.2	Aperçu.....	13	8.2	Installez la batterie.....	17
<b>2</b>	<b>Avertissements généraux de</b>		8.3	Retirez la batterie.....	17
	<b>sécurité des outils électriques.....</b>	<b>13</b>	8.4	Installez la mèche.....	17
2.1	Sécurité de la zone de travail.....	13	8.5	Retirez la mèche.....	17
2.2	Sécurité électrique.....	13	8.6	Installez la poignée auxiliaire.....	17
2.3	Sécurités des personnes.....	13	<b>9</b>	<b>Utilisation.....</b>	<b>18</b>
2.4	Utilisation et entretien des outils électriques... 14		9.1	Démarrez la machine.....	18
2.5	Utilisation et entretien de l'outil à batterie..... 14		9.2	Arrêtez la machine.....	18
2.6	Service.....	14	9.3	Interrupteur avant / arrière.....	18
<b>3</b>	<b>Avertissements de sécurité</b>		9.4	Réglez la tige de profondeur.....	18
	<b>relatifs à la perceuse à percussion..</b>	<b>15</b>	9.5	Sélectionnez le mode.....	19
<b>4</b>	<b>Instructions de sécurité et</b>		9.6	Perceuse.....	19
	<b>d'utilisation supplémentaires.....</b>	<b>15</b>	9.7	Matériaux de perçage.....	19
<b>5</b>	<b>Proposition 65.....</b>	<b>16</b>	<b>10</b>	<b>Entretien.....</b>	<b>20</b>
<b>6</b>	<b>Symboles figurant sur la</b>		10.1	Ajustez et changez la mèche SDS.....	20
	<b>machine.....</b>	<b>16</b>	10.2	Nettoyez la machine.....	20
<b>7</b>	<b>Niveaux de risques.....</b>	<b>16</b>	<b>11</b>	<b>Données techniques.....</b>	<b>20</b>
<b>8</b>	<b>Installation.....</b>	<b>16</b>	<b>12</b>	<b>Garantie limitée.....</b>	<b>20</b>
			<b>13</b>	<b>VUE ÉCLATÉES.....</b>	<b>21</b>

## 1 DESCRIPTION

### 1.1 BUT

La machine est destinée au forage par battage dans le béton, la brique et la maçonnerie, ainsi qu'aux travaux légers de ciselage. Elle convient également au perçage sans percussion dans le bois, le métal, la céramique et le plastique, ainsi qu'au vissage.

### 1.2 APERÇU



- |                                    |                     |
|------------------------------------|---------------------|
| 1 Poignée auxiliaire               | 5 Sélecteur de mode |
| 2 Tige de profondeur               | 6 Avant / arrière   |
| 3 Mandrin SDS                      | 7 Gâchette          |
| 4 Réglage de la tige de profondeur | 8 Lumière DEL       |

## 2 AVERTISSEMENTS GÉNÉRAUX DE SÉCURITÉ DES OUTILS ÉLECTRIQUES

### ▲ AVERTISSEMENT

Lisez tous les avertissements de sécurité et toutes les instructions. Le non-respect de ces avertissements et de ces instructions peut entraîner un choc électrique, un incendie et/ou des blessures graves.

Conservez tous les avertissements et instructions pour référence ultérieure.

Le terme « outil électrique » dans les avertissements se réfère à votre outil électrique alimenté (avec fil) ou à votre outil électrique (sans fil) fonctionnant sur batterie.

### 2.1 SÉCURITÉ DE LA ZONE DE TRAVAIL

- Gardez la zone de travail propre et bien éclairée. Les endroits encombrés ou sombres favorisent les accidents.
- N'utilisez pas les outils électriques dans des environnements explosifs, par exemple en présence de

liquides, gaz ou poussières inflammables. La mise en marche des outils électriques crée des étincelles qui peuvent enflammer la poussière ou les vapeurs.

- Tenez les enfants et les curieux à l'écart lorsque vous utilisez un outil électrique. Les distractions peuvent vous faire perdre le contrôle.
- Cette machine n'est pas conçue pour être utilisée par des personnes (y compris les enfants) dont les capacités physiques, sensorielles ou mentales sont réduites, ou des personnes dénuées d'expérience ou de connaissance, sauf si elles ont pu bénéficier, par l'intermédiaire d'une personne responsable de leur sécurité, d'une surveillance ou d'instructions préalables concernant l'utilisation de la machine. Il convient de surveiller les enfants pour s'assurer qu'ils ne jouent pas avec la machine.

### 2.2 SÉCURITÉ ÉLECTRIQUE

- Les prises de l'outil électrique doivent être compatibles avec la prise de courant. Ne modifiez jamais la prise d'aucune façon. N'utilisez pas d'adaptateur de prise avec des outils à prise de terre. Des prises non modifiées et leurs prises de courant respectives réduisent les risques de choc électrique.
- Évitez que le corps n'entre en contact avec des surfaces mises à la terre comme les tuyaux, les radiateurs, les cuisinières et les réfrigérateurs. Il y a un risque accru de choc électrique si votre corps est en contact avec la terre.
- N'exposez pas les outils électriques à des conditions humides ou mouillées. L'eau qui pénètre dans un outil électrique augmente le risque de choc électrique.
- N'abusez pas du cordon. N'utilisez jamais le câble pour porter, tirer ou débrancher l'outil. Éloignez le cordon de la chaleur, de l'huile, des bords tranchants et des pièces mobiles. Les cordons endommagés augmentent le risque d'un choc électrique.
- Lorsque vous utilisez un outil électrique en extérieur, utilisez une rallonge de câble adaptée à l'usage en extérieur. Utiliser un câble adapté à un usage en extérieur réduit le risque de choc électrique.
- Si vous ne pouvez éviter d'utiliser l'outil dans un environnement humide, utilisez une alimentation protégée à courant différentiel. Le respect de cette règle réduira le risque de chocs électriques.

### 2.3 SÉCURITÉS DES PERSONNES

- Restez vigilant, soyez attentif à ce que vous faites et faites preuve de bon sens lorsque vous utilisez un outil électrique. N'utilisez pas l'appareil lorsque vous êtes fatigué, sous l'emprise de l'alcool ou de drogues ou après avoir pris des médicaments. Un simple moment d'inattention lors de l'utilisation d'un outil électrique peut provoquer des blessures corporelles graves.
- Utilisez des équipements de protection individuelle. Portez toujours des lunettes de protection. L'utilisation d'équipements de protection adaptés aux conditions de

travail (masque anti-poussières, chaussures de sécurité antidérapantes, casque et protections auditives etc.) permet de réduire les risques de blessures corporelles.

- **Évitez tout démarrage accidentel. Assurez-vous que l'interrupteur est en position d'arrêt avant de brancher à la source d'alimentation et/ou la batterie et quand vous soulevez ou transportez l'appareil.** *Transporter un outil électrique avec un doigt sur l'interrupteur ou le brancher sur une alimentation électrique alors que son interrupteur est en position marche favorise les accidents.*
- **Retirez les clefs de réglage et de serrage avant de mettre l'outil en marche.** *Une clef de réglage ou de serrage restée sur une pièce en rotation de l'outil électrique peut entraîner des blessures corporelles.*
- **Ne vous penchez pas trop en avant. Gardez un bon équilibre en tout temps.** *Ceci permet un meilleur contrôle de l'outil électrique dans des situations inattendues.*
- **Habilitez-vous correctement. Ne portez pas de vêtements amples ou de bijoux. Veillez à ne pas approcher vos cheveux, vos vêtements et vos gants des pièces en mouvement.** *Les vêtements amples, les bijoux et les cheveux longs peuvent se prendre dans les pièces en mouvement.*
- **Si un appareil est conçu pour être utilisé avec des dispositifs d'extraction et de récupération des poussières, veillez à ce que ces dispositifs soient bien raccordés et correctement utilisés.** *L'utilisation de dispositifs de récupération des poussières permet de réduire les risques liés aux poussières.*

## 2.4 UTILISATION ET ENTRETIEN DES OUTILS ÉLECTRIQUES

- **Ne forcez pas l'outil électrique. Utilisez l'outil électrique adapté à votre application.** *L'outil électrique approprié fera mieux le travail et sera plus sécuritaire au rythme pour lequel il a été conçu.*
- **N'utilisez pas l'outil électrique si l'interrupteur ne le met pas en marche ou à l'arrêt.** *Tout outil électrique qui ne peut pas être contrôlé avec l'interrupteur est dangereux et doit être réparé.*
- **Débranchez la prise de la source d'alimentation et/ou de la batterie avant d'effectuer des réglages, de changer des accessoires ou de ranger l'outil électrique.** *De telles mesures de sécurité préventives réduisent le risque d'un démarrage accidentel de l'outil électrique.*
- **Rangez les outils électriques inutilisés hors de portée des enfants et ne laissez pas des personnes qui ne sont pas familiarisées avec l'outil électrique ou ces instructions l'utiliser.** *Les outils électriques sont dangereux entre les mains des utilisateurs non formés.*
- **Entretien les outils électriques. Vérifiez le désalignement des pièces mobiles ou la fixation des pièces mobiles, la cassure des pièces et toute autre condition qui pourrait affecter le fonctionnement de l'outil électrique. Si il est endommagé, faites réparer l'outil électrique avant de l'utiliser.** *De nombreux*

*accidents sont causés par des outils électriques mal entretenus.*

- **Garder les outils de coupe propres et tranchants.** *Les outils de coupe bien entretenus avec des bords tranchants sont moins susceptibles de se coincer et sont plus faciles à contrôler.*
- **Utilisez l'outil électrique, les accessoires, les mèches, etc. conformément à ces instructions, en tenant compte des conditions de travail et des travaux à effectuer.** *L'utilisation de l'outil motorisé pour des opérations différentes de celles prévues pourrait entraîner une situation dangereuse.*

## 2.5 UTILISATION ET ENTRETIEN DE L'OUTIL À BATTERIE

- **Rechargez uniquement avec le chargeur spécifié par le fabricant.** *Un chargeur adapté à un type de bloc-batterie peut créer un risque d'incendie lorsqu'il est utilisé avec un autre bloc-batterie.*
- **Utilisez les outils électriques uniquement avec des batteries spécialement conçues à cet effet.** *L'utilisation de tous autres bloc-batteries peut créer un risque de blessure et d'incendie.*
- **Lorsque la batterie n'est pas utilisée, éloignez-la des autres objets métalliques tels qu'attaches trombones, pièces de monnaie, clés, clous, vis ou autres petits objets métalliques qui peuvent établir une connexion d'une borne à une autre.** *Le court-circuitage des bornes de la batterie peut provoquer des brûlures ou un incendie.*
- **Dans des conditions abusives, du liquide peut être éjecté de la batterie ; évitez tout contact.** *En cas de contact accidentel, rincez abondamment avec du savon et de l'eau. En cas de contact du liquide avec les yeux, consultez immédiatement un médecin. Le liquide s'échappant des batteries peut causer des irritations ou des brûlures.*

## 2.6 SERVICE

- **Faites effectuer l'entretien de votre outil électrique par un réparateur qualifié en n'utilisant que des pièces de rechange identiques.** *Cela garantira le maintien de la sécurité de l'outil électrique.*

### 3 AVERTISSEMENTS DE SÉCURITÉ RELATIFS À LA PERCEUSE À PERCUSSION

- **Portez des protections auditives.** *L'exposition au bruit peut entraîner une perte auditive.*
- **Utilisez la ou les poignées auxiliaires, si l'outil en est doté.** *Une perte de contrôle peut causer des blessures.*
- **Maintenez l'outil par ses surfaces isolées lorsque vous accomplissez une tâche où l'accessoire de coupe pourrait entrer en contact avec un câblage invisible ou son propre câble.** *Les fixations en contact avec un câble sous tension peuvent exposer des parties métalliques de l'outil et pourraient causer un choc électrique.*

### 4 INSTRUCTIONS DE SÉCURITÉ ET D'UTILISATION SUPPLÉMENTAIRES

- Lors du transport et de l'entreposage, placez l'interrupteur du sens de rotation en position centrale. Il existe un risque de blessure en cas d'actionnement accidentel de l'interrupteur marche/arrêt.
- Utilisez des détecteurs appropriés pour trouver les câbles de services publics cachés dans la zone de travail ou contactez votre entreprise de services publics locale pour obtenir de l'aide. Le contact avec des lignes électriques peut provoquer un incendie et une décharge électrique. Abîmer une conduite de gaz peut causer une explosion. Percer une conduite d'eau causera des dommages matériels.
- Serrez fermement la poignée auxiliaire, tenez solidement la machine avec les deux mains pendant que vous travaillez et gardez une assise et un équilibre appropriés en tout temps. Guidez la machine de façon sécuritaire en utilisant vos deux mains.
- Fixez la pièce à travailler. Une pièce serrée avec des dispositifs de serrage ou dans un étai est maintenue plus solidement qu'à la main.
- Pour percer sans impact dans le bois, le métal, la céramique et le plastique ou pour visser, des outils sans SDS-plus sont utilisés (par exemple, des perceuses à queue cylindrique). Pour ces outils, un mandrin sans clé ou un mandrin porte-foret à clé est requis.
- Le mandrin à changement rapide est automatiquement verrouillé. Vérifiez l'effet de verrouillage en tirant sur le mandrin à changement rapide.
- Remplacez immédiatement un capuchon de protection contre la poussière endommagé. Le capuchon de protection contre la poussière empêche en grande partie la pénétration de poussière de perçage dans le porte-outil pendant son utilisation. Lors de l'insertion de l'outil, veillez à ce que le capuchon de protection contre la poussière ne soit pas endommagé.
- Les poussières de matériaux tels que les revêtements contenant du plomb et certains types de bois, de minéraux et de métaux peuvent être nocifs pour la santé et causer des réactions allergiques, des infections respiratoires ou le

cancer. Les travaux sur des matériaux contenant de l'amiante ne peuvent être effectués que par des spécialistes.

1. Dans la mesure du possible, utilisez un dispositif d'aspiration des poussières adapté au matériau.
  2. Prévoyez une bonne ventilation du poste de travail.
  3. Il est recommandé de porter un appareil respiratoire filtrant de classe P2.
- Limitez l'accumulation de poussière sur le lieu de travail. Les poussières peuvent prendre feu facilement.
  - Pour économiser de l'énergie, n'allumez l'outil que lorsque vous l'utilisez.
  - Placez la mèche sur la vis/l'écrou uniquement lorsque l'appareil est éteint. Des mèches en rotation peuvent glisser de la vis.
  - Si l'outil d'application se bloque, éteignez la machine. Desserrez l'outil d'application.
  - Un couple de renversement peut se produire si vous allumez l'appareil avec un outil de perçage bloqué.
  - Attendez toujours l'arrêt complet de la machine avant de la déposer. L'accessoire peut se coincer et entraîner une perte de contrôle de l'outil électrique.
  - Empêchez les mises en marche accidentelles. Assurez-vous que l'interrupteur marche/arrêt est en position arrêt avant d'insérer le bloc-batterie.
  - N'ouvrez pas la batterie. Risque de court-circuit.
  - Des vapeurs peuvent être émises en cas d'endommagement et d'utilisation inappropriée de la batterie. Aérez la zone et consultez un médecin en cas de troubles. Les vapeurs peuvent irriter le système respiratoire.
  - N'utilisez la batterie qu'avec votre outil électrique. Cette mesure protège la batterie d'une surcharge dangereuse.
  - Chargez la batterie uniquement avec le chargeur recommandé.
  - La batterie est chargée jusqu'à un certain point. Chargez complètement la batterie avant de l'utiliser pour la première fois.
  - Lisez les instructions d'utilisation du chargeur de batterie.
  - Assurez-vous que la batterie est fermement en place. Deux niveaux de verrouillage sont possibles.

## 5 PROPOSITION 65

### ▲ AVERTISSEMENT

Ce produit contient un produit chimique connu dans l'état de Californie comme étant une cause de cancer, de malformations congénitales ou d'autres problèmes de reproduction. Certaines poussières produites par le ponçage mécanique, le sciage, le meulage, le perçage et d'autres activités de construction contiennent des produits chimiques connus pour causer le cancer, des malformations congénitales ou d'autres problèmes de reproduction. Voici quelques exemples de ces produits chimiques :


- Plomb provenant de peintures à base de plomb;
- Silice cristalline provenant de briques, de ciment et d'autres produits de maçonnerie;
- Arsenic et chrome provenant de bois traité chimiquement.





Votre risque d'exposition à ces produits chimiques varie selon la fréquence à laquelle vous faites ce type de travail. Pour réduire votre exposition à ces produits chimiques, travaillez dans un endroit bien ventilé et utilisez un équipement de sécurité approuvé, comme des masques anti-poussière spécialement conçus pour filtrer les particules microscopiques.

Conservez ces instructions.

## 6 SYMBOLES FIGURANT SUR LA MACHINE




Certains des symboles suivants peuvent être utilisés sur cet outil. Veuillez les étudier et apprendre leur signification. Une bonne interprétation de ces symboles vous permettra de mieux utiliser l'outil et de manière plus sécuritaire.

Symbole	Explication
V	Voltage
==	Courant direct
	Lisez tous les avertissements de sécurité et toutes les instructions.
	Portez des protections oculaires
	Portez des protections auditives
	Portez des gants de protection
	Perçage sans percussion

Symbole	Explication
	Forage par battage
	Ciselage
	Vissage
	Ne touchez pas les parties rotatives.

## 7 NIVEAUX DE RISQUES

Les termes de mise en garde suivants et leur signification ont pour but d'expliquer les niveaux de risques associés à l'utilisation de ce produit.

SYMBOLE	SIGNAL	SIGNIFICATION
	DANGER	Indique une situation dangereuse imminente qui, si elle n'est pas évitée, peut entraîner la mort ou des blessures graves.
	AVERTISSEMENT	Indique une situation potentiellement dangereuse qui, si elle n'est pas évitée, peut entraîner la mort ou des blessures graves.
	MISE EN GARDE	Indique une situation potentiellement dangereuse qui, si elle n'est pas évitée, pourrait causer des blessures mineures ou modérées.
	MISE EN GARDE	(Sans symbole d'alerte de sécurité) indique une situation pouvant entraîner des dommages matériels.

## 8 INSTALLATION

### 8.1 DÉBALLER LA MACHINE

#### ▲ AVERTISSEMENT

Assurez-vous d'assembler correctement la machine avant de l'utiliser.

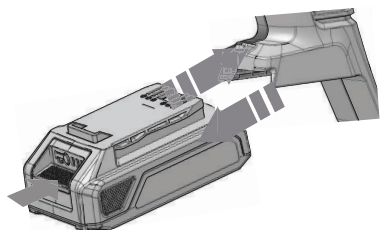


## ▲ AVERTISSEMENT

- Si les pièces sont endommagées, n'utilisez pas la machine.
- Si vous n'avez pas toutes les pièces, n'utilisez pas la machine.
- Si les pièces sont endommagées ou manquantes, communiquez avec le centre de service.

1. Ouvrez l'emballage.
2. Lisez la documentation contenue dans la boîte.
3. Retirez toutes les pièces non assemblées de la boîte.
4. Retirez la machine de sa boîte.
5. Jetez la boîte et l'emballage en respectant les règlements locaux.

## 8.2 INSTALLEZ LA BATTERIE



## ▲ AVERTISSEMENT

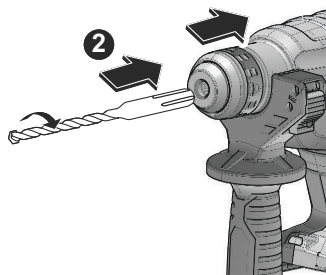
- Si la batterie ou le chargeur est endommagé, remplacez-le, au besoin.
- Arrêtez la machine et attendez que le moteur s'arrête avant d'installer ou de retirer la batterie.
- Lisez, comprenez et suivez les instructions du manuel de la batterie et du chargeur.

1. Alignez les languettes de la batterie avec les rainures du compartiment de batterie.
2. Poussez la batterie dans le compartiment de batterie jusqu'à ce qu'elle soit bien encliquetée.
3. Vous devriez entendre un clic lorsque la batterie sera insérée correctement.

## 8.3 RETIREZ LA BATTERIE

1. Poussez et maintenez enfoncé le bouton de déblocage de la batterie.
2. Retirez la batterie de la machine.

## 8.4 INSTALLEZ LA MÈCHE

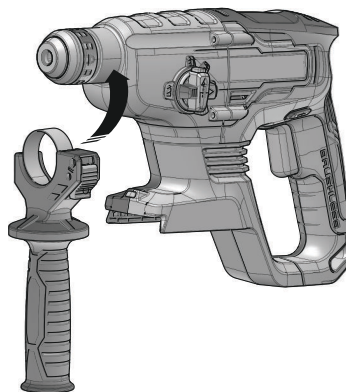


1. Poussez l'interrupteur marche avant/arrière en position « neutre » pour verrouiller la gâchette.
2. Tirez le collier de serrage vers l'arrière et maintenez-le en place.
3. Placez la mèche dans le coupleur.
4. Relâchez le collier de serrage.

## 8.5 RETIREZ LA MÈCHE

1. Tirez le collier de serrage vers l'arrière et retirez la mèche.

## 8.6 INSTALLEZ LA POIGNÉE AUXILIAIRE



1. Tournez la poignée dans le sens inverse des aiguilles d'une montre pour desserrer l'ensemble de la poignée.
2. Placez la poignée dans la position désirée.
3. Tournez la poignée dans le sens des aiguilles d'une montre pour la serrer.

## **i** REMARQUE

Assurez-vous que la poignée auxiliaire est bien reliée à la pince de la butée de profondeur de la tige. La butée de profondeur de la tige est ainsi fixée à la profondeur désirée. Cela sert aussi à tenir la poignée auxiliaire.

## 9 UTILISATION

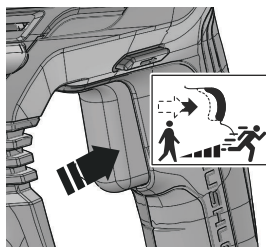
### **▲** AVERTISSEMENT

Portez toujours des lunettes de protection.

### **▲** AVERTISSEMENT

N'utilisez pas d'autres pièces ou d'accessoires non recommandés par le fabricant de ce produit.

### 9.1 DÉMARREZ LA MACHINE



## **i** REMARQUE

L'appareil ne peut fonctionner qu'une fois que le bouton marche avant/arrière est entièrement poussé vers la gauche ou la droite. Ne faites pas fonctionner l'appareil à vitesse lente durant de longues périodes de temps.

1. Tirez sur la gâchette pour démarrer la machine.

#### Vitesse variable

La machine est équipée d'un commutateur à vitesse variable qui produit une vitesse plus élevée avec une pression de déclenchement plus élevée et une vitesse plus basse avec une pression de déclenchement réduite.

### 9.2 ARRÊTEZ LA MACHINE

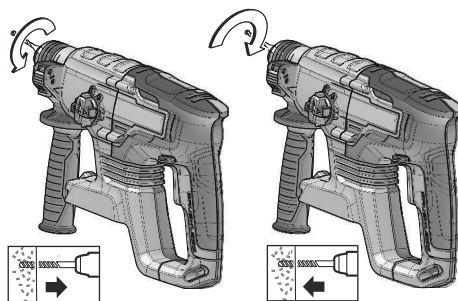
1. Relâchez la gâchette pour arrêter la machine.

### **▲** AVERTISSEMENT

Relâchez la gâchette et laissez la machine s'arrêter complètement.

### 9.3 INTERRUPTEUR AVANT / ARRIÈRE

La machine possède un interrupteur (avant/arrière) au-dessus de la gâchette pour changer la rotation.



1. Lorsque l'interrupteur marche arrière se trouve à gauche de l'interrupteur de la gâchette marche/arrêt, la direction de la mèche est vers l'avant (serrage).
2. Lorsque l'interrupteur marche arrière se trouve à gauche de l'interrupteur de la gâchette marche/arrêt, la direction de la mèche est vers l'arrière (desserrage).
3. Placez l'interrupteur avant/arrière dans la position OFF (verrou central) pour réduire les risques de démarrage accidentel lorsque vous n'utilisez pas l'appareil.

### **▲** AVERTISSEMENT

Relâchez la gâchette et laissez la machine s'arrêter complètement.

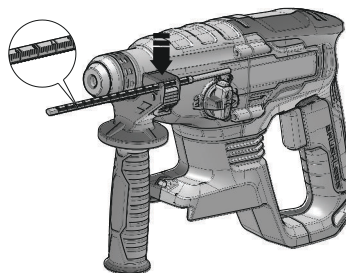
### **▲** AVERTISSEMENT

Attendez que le mandrin s'arrête complètement avant de changer le sens de rotation.

## **i** REMARQUE

La machine ne peut fonctionner qu'une fois que l'interrupteur marche avant/arrière est entièrement poussé vers la gauche ou la droite.

### 9.4 RÉGLEZ LA TIGE DE PROFONDEUR



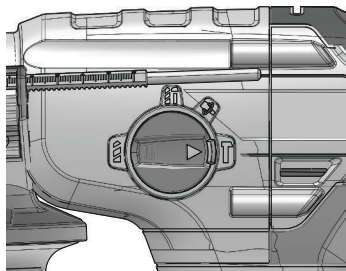
1. Poussez l'interrupteur marche avant/arrière en position « neutre » pour verrouiller la gâchette.
2. Appuyez sur le bouton de réglage de la tige.

- Réglez la position de la butée de profondeur de la tige en fonction de la profondeur de perçage requise.
- Relâchez le bouton de réglage de la tige.

### **i** REMARQUE

Lorsque l'installation est effectuée correctement, les dents de la butée de profondeur de la tige doivent être alignées avec l'indicateur de dents de la pince de la butée de profondeur de la tige.

## 9.5 SÉLECTIONNEZ LE MODE



Pour changer le mode de fonctionnement, appuyez sur le bouton de déclenchement et tournez le sélecteur de mode à la position correcte jusqu'à ce que vous entendiez un clic d'enclenchement.

La machine possède quatre modes de fonctionnement : perceuse, marteau, perceuse à percussion (forage par battage) et burin, ainsi que les fonctions vari-lock et arrêt de rotation.

### **i** REMARQUE

Le mode de forage par battage peut détruire la structure de la machine lorsqu'il est utilisé pour visser ou percer sans les mèches SDS Plus.

Utilisez les mèches avec du métal dur et l'arbre SDS Plus uniquement.

### **i** REMARQUE

N'appliquez pas une trop grande pression lorsque vous utilisez la perceuse à percussion.

## 9.6 PERCEUSE

- Examinez le sélecteur de sens de rotation pour déterminer le bon réglage (avant ou arrière).
- Fixez le matériau à percer dans un étau ou à l'aide de pinces pour l'empêcher de tourner.
- Tenez fermement la mèche et placez-la dans la bonne position.
- Appuyez sur la gâchette pour démarrer la perceuse.

- Introduisez la mèche dans la pièce à usiner et n'appliquez qu'une pression suffisante pour que la mèche soit en mesure de couper. Ne forcez pas la perceuse et n'exercez pas de pression latérale pour agrandir le trou.
- Lorsque vous percez des surfaces dures ou molles, utilisez un poinçon pour marquer l'endroit où vous souhaitez faire le trou. Ceci peut empêcher la mèche de se déplacer du centre.
- Lorsque vous percez du métal, mettez une huile légère sur la mèche de la perceuse pour éviter que celle-ci chauffe. L'huile peut prolonger la vie de la mèche et augmenter la capacité de perçage.
- Si la mèche se coince dans la pièce à percer ou si la perceuse s'arrête, cessez immédiatement l'utilisation de l'appareil. Retirez la mèche de la pièce et analysez les causes du blocage.

### **A** AVERTISSEMENT

Les perceuses ont tendance à être propulsées dans le sens inverse de la rotation, ce qui peut provoquer une perte de contrôle lors de la perforation d'un matériau. Si vous n'y êtes pas préparé, cette perte de contrôle peut provoquer de graves blessures.

### **i** REMARQUE

Cette perceuse est munie d'un frein électrique. Relâchez la gâchette pour arrêter la rotation du mandrin. Lorsque le frein fonctionne correctement, des étincelles peuvent apparaître à travers les fentes d'aération du boîtier. Ce phénomène est normal et correspond à l'action du frein.

## 9.7 MATÉRIAUX DE PERÇAGE

### PERÇAGE DU BOIS

Pour un rendement maximum, utilisez des mèches en acier spéciales bois et grande vitesse.

- Utilisez l'appareil à une vitesse très faible pour éviter que la mèche ne glisse du point de départ. Augmentez la vitesse au fur et à mesure que la perceuse perce le matériau.
- Lorsque vous percez des trous, placez un morceau de bois derrière la pièce de perçage pour éviter des bords déchiquetés ou fissurés derrière le trou.

### PERÇAGE DU MÉTAL

Pour un rendement maximum, utilisez des mèches spéciales bois, en acier et pour grande vitesse.

- Utilisez l'appareil à une vitesse très faible pour éviter que la mèche ne glisse du point de départ.
- Maintenez une vitesse et une pression permettant la coupe sans surchauffer la mèche. Une pression trop forte peut : Surchauffer la perceuse; abîmer les roulements, tordre ou faire fondre les mèches et faire des trous excentrés ou de formes irrégulières.
- Lorsque vous faites de grands trous dans le métal, commencez avec une petite mèche puis finissez avec une

grande. De plus, lubrifiez la mèche avec de l'huile pour améliorer son action et augmenter la durée de vie de la mèche.

## FORAGE DANS LA MAÇONNERIE

Pour un rendement maximal, utilisez des mèches à percussion au carbure de tungstène pour percer des trous dans la brique, le carrelage, le béton, etc.

1. Déplacez le bouton de réglage de la perceuse à percussion vers la gauche pour activer le mode marteau.
2. Appliquez une légère pression et une vitesse moyenne pour de meilleurs résultats dans la brique.
3. Lorsque vous percez des trous dans le carrelage, exercez-vous sur un morceau de ferraille pour déterminer la meilleure vitesse et la meilleure pression. Utilisez l'appareil à une vitesse très faible pour éviter que la mèche ne glisse du point de départ.

## 10 ENTRETIEN

### ▲ AVERTISSEMENT

Retirez le bloc-batterie de la machine avant l'entretien.

### ▲ AVERTISSEMENT

N'utilisez pas de solvants ou de détergents puissants sur le boîtier ou les composants en plastique.

### 10.1 AJUSTEZ ET CHANGEZ LA MÈCHE SDS

Cette machine est équipée d'un système de raccordement SDS Plus.

1. Nettoyez la mèche et lubrifiez-la avec de la graisse à machine avant de l'insérer dans le mandrin.
2. Tirez le collier de serrage vers l'arrière et maintenez-le.
3. Poussez et tournez l'outil exempt de poussière dans le porte-mèche aussi loin que possible.
4. Relâchez le collier de serrage pour verrouiller la mèche.
5. Vérifiez que la mèche est verrouillée en tirant dessus.

### 10.2 NETTOYEZ LA MACHINE

#### ▲ ATTENTION

La machine doit être sèche. L'humidité peut provoquer des risques de chocs électriques.

- Enlevez les matières indésirables de l'évent d'air à l'aide d'un aspirateur.
- Ne vaporisez pas l'évent d'air et ne le plongez pas dans des solvants.
- Nettoyez le boîtier et les composants en plastique avec un chiffon doux et humide.

## 11 DONNÉES TECHNIQUES

Voltage	24 V
Vitesse sans charge	0-1000 min <sup>-1</sup>
Taux d'impact	0-4500 min <sup>-1</sup>
Force de choc unique (EP-TA)	2 J
Diamètre perc. béton	24 mm
Diamètre perc. pierre	24 mm
Diamètre perc. acier	13 mm
Diamètre perc. bois	32 mm
Poids sans batterie	5.44 lb
Batterie modèle	BAG709 et autres séries BAG
Chargeur modèle	CAG801 et autres séries CAG

La plage de température ambiante recommandée :

Article	Température
Plage de température d'entreposage de l'appareil	32°F (0°C) - 113°F (45°C)
Plage de température de fonctionnement de l'appareil	32°F (0°C) - 113°F (45°C)
Plage de température de rechargement de la batterie	39°F (4°C) - 104°F (40°C)
Plage de température de fonctionnement du chargeur	39°F (4°C) - 104°F (40°C)
Plage de température d'entreposage de la batterie	32°F (0°C) - 113°F (45°C)
Plage de température de déchargement de la batterie	32°F (0°C) - 113°F (45°C)

## 12 GARANTIE LIMITÉE



Greenworks garantit par la présente ce produit, à l'acheteur original avec preuve d'achat, pour une période de trois (3) ans contre tout défaut de matériaux, de pièces ou de main-d'œuvre. Greenworks, à sa propre discrétion, réparera ou remplacera toutes les pièces défectueuses, dans des conditions normales d'utilisation, sans frais pour le client. Cette garantie n'est valable que pour les appareils qui ont été utilisés à des

fins personnelles, qui n'ont pas été loués à des fins industrielles ou commerciales et qui ont été entretenus conformément aux instructions du manuel du propriétaire fourni avec le produit neuf.

## ARTICLES NON COUVERTS PAR LA GARANTIE :

1. Toute pièce qui est devenue inopérante en raison d'une mauvaise utilisation, d'une utilisation commerciale, d'un abus, d'une négligence, d'un accident, d'un entretien inapproprié ou d'une modification; ou
2. L'appareil, s'il n'a pas été utilisé et/ou entretenu conformément au manuel du propriétaire; ou
3. Usure normale;
4. Articles d'entretien courant tels que lubrifiants, affûtage des lames;
5. Détérioration normale du fini extérieur due à l'utilisation ou à l'exposition.

## ASSISTANCE TÉLÉPHONIQUE :

Le service de garantie est accessible en appelant notre ligne d'assistance téléphonique sans frais, au 1-888-909-6757.

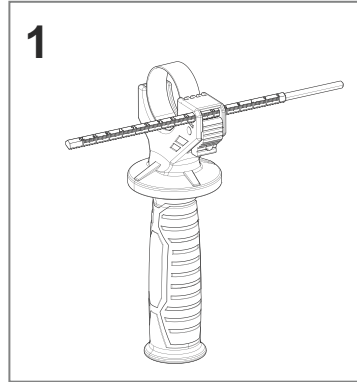
## FRAIS DE TRANSPORT :

Les frais de transport pour le déplacement de tout équipement motorisé ou accessoire sont à la charge de l'acheteur. Il incombe à l'acheteur de payer les frais de transport pour toute pièce retournée pour remplacement en vertu de la présente garantie, à moins qu'un tel retour soit demandé par écrit par Greenworks.

### Adresse aux États-Unis : Adresse au Canada :

Greenworks Tools	Greenworks Tools Canada Inc.
P.O. Box 1238	P.O. Box 93095, Newmarket, Ontario
Mooresville, NC 28115	L3Y 8K3

## 13 VUE ÉCLATÉES



No.	Qté	Description
R0203 225-0 0	1	Poignée auxiliaire (Inclut le réglage de la profondeur avec la poignée)

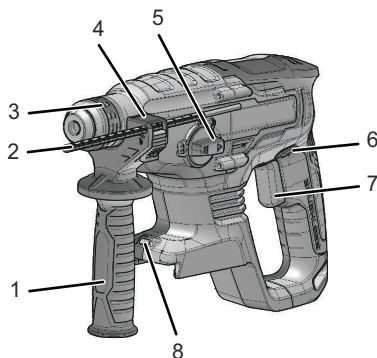
<b>1</b>	<b>Descripción.....</b>	<b>23</b>	<b>8</b>	<b>Instalación.....</b>	<b>26</b>
1.1	Finalidad.....	23	8.1	Desembalaje de la máquina.....	26
1.2	Perspectiva general.....	23	8.2	Instalación de la batería.....	27
<b>2</b>	<b>Advertencias generales de seguridad para herramientas eléctricas.....</b>	<b>23</b>	8.3	Retirada de la batería.....	27
2.1	Seguridad de la zona de trabajo.....	23	8.4	Instalación de la broca.....	27
2.2	Seguridad eléctrica.....	23	8.5	Retirada de la broca.....	27
2.3	Seguridad personal.....	24	8.6	Instalación del asa auxiliar.....	27
2.4	Utilización y cuidado de herramientas eléctricas.....	24	<b>9</b>	<b>Funcionamiento.....</b>	<b>27</b>
2.5	Utilización y cuidado de herramientas a batería.....	24	9.1	Puesta en marcha de la máquina.....	28
2.6	Servicio.....	24	9.2	Detención de la máquina.....	28
<b>3</b>	<b>Advertencias de seguridad para taladros percutores.....</b>	<b>25</b>	9.3	Interruptor de avance / retroceso.....	28
<b>4</b>	<b>Seguridad adicional e instrucciones de trabajo.....</b>	<b>25</b>	9.4	Ajuste de la varilla de profundidad.....	28
<b>5</b>	<b>Propuesta 65.....</b>	<b>26</b>	9.5	Selección del modo.....	29
<b>6</b>	<b>Símbolos en el producto.....</b>	<b>26</b>	9.6	Perforación.....	29
<b>7</b>	<b>Niveles de riesgo.....</b>	<b>26</b>	9.7	Perforación de materiales.....	29
			<b>10</b>	<b>Mantenimiento.....</b>	<b>30</b>
			10.1	Instalación y cambio de la broca SDS.....	30
			10.2	Limpieza de la máquina.....	30
			<b>11</b>	<b>Datos técnicos.....</b>	<b>30</b>
			<b>12</b>	<b>Garantía limitada.....</b>	<b>30</b>
			<b>13</b>	<b>VISTA DESPIEZADA.....</b>	<b>31</b>

## 1 DESCRIPCIÓN

### 1.1 FINALIDAD

La máquina se ha diseñado para taladrar con percusión en hormigón, ladrillos y mampostería, así como para trabajos de cincelado ligero. También es adecuada para taladrar sin impacto en madera, metal, cerámica y plástico, así como para atornillar.

### 1.2 PERSPECTIVA GENERAL



- |                                    |                      |
|------------------------------------|----------------------|
| 1 Asa auxiliar                     | 5 Selector de modo   |
| 2 Varilla de profundidad           | 6 Avance / retroceso |
| 3 Portabrocas SDS                  | 7 Gatillo            |
| 4 Ajuste de varilla de profundidad | 8 Luz LED            |

## 2 ADVERTENCIAS GENERALES DE SEGURIDAD PARA HERRAMIENTAS ELÉCTRICAS

### ▲ AVISO

Lea todas las advertencias de seguridad y todas las instrucciones. El incumplimiento de las advertencias e instrucciones puede provocar descargas eléctricas, incendios o lesiones graves.

Guarde todas las advertencias e instrucciones para su consulta posterior.

El término "herramienta eléctrica" empleado en las advertencias se refiere a su herramienta eléctrica con funcionamiento de red (con cable) o herramienta eléctrica con funcionamiento a batería (inalámbrica).

### 2.1 SEGURIDAD DE LA ZONA DE TRABAJO

- Mantenga limpia y bien iluminada la zona de trabajo. Las zonas desordenadas u oscuras fomentan los accidentes.
- No utilice herramientas eléctricas en atmósferas explosivas, como en la presencia de líquidos, gases o polvo que puedan inflamarse. Las herramientas eléctricas generan chispas que pueden encender el polvo o los gases.
- Mantenga alejados a los niños y los transeúntes mientras utilice una herramienta eléctrica. Las distracciones pueden hacer que pierda el control.
- Esta herramienta no ha sido concebida para ser utilizada por personas (incluidos niños) con discapacidades físicas, sensoriales o mentales, o sin experiencia ni conocimiento del producto, a menos que estén bajo supervisión o hayan recibido instrucciones sobre el uso del aparato por parte de una persona responsable de su seguridad. Los niños deben estar bajo vigilancia para asegurarse de que no juegan con el aparato.

### 2.2 SEGURIDAD ELÉCTRICA

- Los enchufes de las herramientas eléctricas deben corresponder con la toma de corriente. Nunca modifique el enchufe en modo alguno. No utilice enchufes adaptadores con herramientas eléctricas conectadas a tierra. La utilización de enchufes no modificados y de tomas de corriente adecuadas reducirá el riesgo de descarga eléctrica.
- Evite el contacto del cuerpo con superficies conectadas a tierra, como tuberías, radiadores, estufas y refrigeradores. Existe un riesgo aumentado de descarga eléctrica si su cuerpo está conectado a tierra.
- No exponga las herramientas eléctricas a la lluvia o a condiciones de humedad. Si penetra agua en una herramienta eléctrica, aumentará el riesgo de descarga eléctrica.
- No abuse del cable. Nunca utilice el cable para transportar, tirar o desenchufar la herramienta eléctrica. Mantenga el cable alejado del calor, el aceite, los bordes afilados y las piezas móviles. Los cables dañados o enredados aumentan el riesgo de descarga eléctrica.
- Cuando utilice una herramienta eléctrica en exteriores, use un cable alargador adecuado para uso en exterior. La utilización de un cable adecuado para uso en exterior reduce el riesgo de descarga eléctrica.
- Si no es inevitable el uso de una herramienta eléctrica en un lugar húmedo, utilice un suministro protegido por un DISPOSITIVO DE CORRIENTE RESIDUAL (RCD). La utilización de un RCD reduce el riesgo de descarga eléctrica.

## 2.3 SEGURIDAD PERSONAL

- **Manténgase alerta, observe lo que está haciendo y emplee el sentido común cuando utilice una herramienta eléctrica. No utilice una herramienta eléctrica mientras esté cansado o bajo la influencia de drogas, alcohol o medicamentos.** *Una falta de atención durante el uso de herramientas eléctricas puede provocar lesiones personales graves.*
- **Utilice protección personal. Lleve siempre protección ocular.** *Si se utilizan correctamente productos de protección como máscaras antipolvo, zapatos de seguridad antideslizantes, cascos o protecciones auditivas, se reducirán las lesiones personales.*
- **Evite el arranque accidental. Asegúrese de que el interruptor esté en la posición de apagado antes de conectar a la fuente de alimentación o a la batería y al coger o transportar la herramienta.** *El transporte de herramientas eléctricas con el dedo en el interruptor o la conexión de herramientas eléctricas que tienen el interruptor activado fomenta los accidentes.*
- **Retire cualquier llave de ajuste antes de encender la herramienta eléctrica.** *Una llave que se quede fijada a una pieza giratoria de la herramienta eléctrica puede provocar lesiones personales.*
- **No se estire. Mantenga en todo momento una postura adecuada y el equilibrio.** *Esto permite un mejor control de la herramienta eléctrica en situaciones inesperadas.*
- **Lleve indumentaria adecuada. No lleve ropa o joyas sueltas. Mantenga el cabello, la ropa y los guantes lejos de las piezas móviles.** *La ropa suelta, las joyas o el cabello largo pueden quedar atrapados en las piezas móviles.*
- **Si se utilizan dispositivos para la conexión de sistemas de extracción y recogida de polvo, asegúrese de que estén conectados y se utilicen correctamente.** *La utilización de sistemas de recogida de polvo puede reducir los riesgos relacionados con el polvo.*

## 2.4 UTILIZACIÓN Y CUIDADO DE HERRAMIENTAS ELÉCTRICAS

- **No fuerce la herramienta eléctrica. Utilice la herramienta eléctrica correcta para su aplicación.** *La herramienta eléctrica correcta hará el trabajo mejor y con mayor seguridad a la velocidad para la que se diseñó.*
- **No utilice la herramienta eléctrica si el interruptor no la enciende y la apaga.** *Cualquier herramienta eléctrica que no pueda controlarse con el interruptor es peligrosa y debe repararse.*
- **Desconecte el enchufe de la fuente de alimentación o la batería de la herramienta eléctrica antes de realizar ajustes, cambiar accesorios o almacenar herramientas eléctricas.** *Estas medidas de seguridad preventivas reducen el riesgo de que la herramienta eléctrica se arranque accidentalmente.*
- **Almacene las herramientas eléctricas inactivas fuera del alcance de los niños y no permita que personas que**

no estén familiarizadas con la herramienta eléctrica o estas instrucciones puedan utilizarla. *Las herramientas eléctricas son peligrosas en manos de usuarios inexpertos.*

- **Realice el mantenimiento de las herramientas eléctricas. Compruebe si hay desalineación o unión de las piezas móviles, rotura de piezas y cualquier otra condición que pueda afectar al funcionamiento de la herramienta eléctrica.** *Si ha sufrido daños, lleve a reparar la herramienta eléctrica antes del uso. Numerosos accidentes se deben a herramientas eléctricas mal mantenidas.*
- **Mantenga limpias y afiladas las herramientas de corte.** *Las herramientas de corte mantenidas correctamente con filos cortantes tienen menos probabilidades de atascarse y son más fáciles de controlar.*
- **Utilice la herramienta eléctrica, los accesorios, las brocas, etc. de acuerdo con estas instrucciones, teniendo en cuenta las condiciones de trabajo y el trabajo a realizar.** *El uso de la herramienta eléctrica para operaciones distintas de las previstas podría dar lugar a una situación peligrosa.*

## 2.5 UTILIZACIÓN Y CUIDADO DE HERRAMIENTAS A BATERÍA

- **Recargue solo con el cargador especificado por el fabricante.** *Un cargador adecuado para un tipo de batería puede dar lugar a un riesgo de incendio cuando se usa con otra batería.*
- **Utilice las herramientas eléctricas únicamente con las baterías designadas específicamente.** *El uso de cualquier otra batería puede dar lugar a un riesgo de lesiones e incendio.*
- **Cuando la batería no esté en uso, manténgala alejada de otros objetos metálicos como clips, monedas, llaves, clavos, tornillos u otros objetos metálicos pequeños que puedan hacer una conexión entre los terminales.** *El cortocircuito de los terminales de la batería puede provocar quemaduras o incendios.*
- **Bajo condiciones abusivas, es posible que salga líquido despedido de la batería; evite el contacto.** *Si se produce un contacto accidental, aclare con abundante agua y jabón. Si el líquido entra en contacto con los ojos, acuda al médico inmediatamente.* *El líquido despedido de la batería puede provocar irritación o quemaduras.*

## 2.6 SERVICIO

- **Solicite a un técnico de reparación cualificado que realice las tareas de servicio de su herramienta eléctrica**



**utilizando únicamente piezas de repuesto idénticas. Esto garantizará el mantenimiento de la seguridad de la herramienta eléctrica.**

### 3 ADVERTENCIAS DE SEGURIDAD PARA TALADROS PERCUTORES

- **Lleve protectores auditivos.** *La exposición al ruido puede producir pérdida de audición.*
- **Utilice las asas auxiliares, si se suministran con la herramienta.** *La pérdida de control puede producir lesiones.*
- **Sujete la herramienta eléctrica solo por las superficies de agarre aisladas, antes de realizar una operación en la que el accesorio de corte pueda entrar en contacto con cableado oculto.** *Si el accesorio de corte entra en contacto con un cable "con corriente", esto puede hacer que las piezas metálicas expuestas de la herramienta eléctrica "tengan corriente" y podrían producir una descarga eléctrica al operario.*

### 4 SEGURIDAD ADICIONAL E INSTRUCCIONES DE TRABAJO

- Durante el transporte y el almacenamiento, sitúe el interruptor de dirección de rotación en la posición central. Riesgo de lesiones al accionar accidentalmente el interruptor de encendido/apagado.
- Utilice detectores adecuados para encontrar si hay líneas de suministros ocultas en la zona de trabajo o llame a la compañía local de suministros para obtener ayuda. El contacto con líneas eléctricas puede provocar incendios y descargas eléctricas. Los daños en una línea de gas pueden provocar una explosión. En caso de perforar una tubería de agua, pueden producirse daños materiales.
- Apriete firmemente el asa auxiliar, sujete la máquina firmemente con ambas manos mientras trabaja y mantenga el equilibrio y la posición correcta en todo momento. La máquina se guía de forma segura con ambas manos.
- Fije la pieza de trabajo. Una pieza de trabajo fijada con dispositivos de sujeción o en un banco de trabajo se sujeta de forma más segura que a mano.
- Para taladrar sin impacto en madera, metal, cerámica y plástico, así como para atornillar, se utilizan herramientas sin SDS-plus (p. ej., brocas con vástago cilíndrico). Para estas herramientas, es necesario un portabrocas sin llave o un portabrocas de taladro de tipo con llave.
- El portabrocas de cambio rápido se bloquea automáticamente. Compruebe el efecto de bloqueo tirando del portabrocas de cambio rápido.
- Sustituya inmediatamente una tapa de protección antipolvo dañada. La tapa de protección antipolvo evita en gran medida la penetración del polvo de perforación en el portabrocas durante el funcionamiento. Al insertar la herramienta, preste atención a que la tapa de protección antipolvo no esté dañada.
- El polvo de materiales como revestimientos que contienen plomo, algunos tipos de madera, minerales y metales puede ser perjudicial para la salud y provocar reacciones alérgicas, infecciones respiratorias o cáncer. Los materiales que contienen amianto solo pueden trabajarlos ciertos especialistas.
  1. En la medida de lo posible, utilice un sistema de extracción de polvo adecuado para el material.
  2. Garantice una buena ventilación en el lugar de trabajo.
  3. Se recomienda el uso de un respirador de clase de filtrado P2.
- Evite la acumulación de polvo en el lugar de trabajo. El polvo puede inflamarse fácilmente.
- Para ahorrar energía, encienda la herramienta eléctrica únicamente cuando la utilice.
- Aplique la herramienta eléctrica al tornillo / la tuerca únicamente cuando esté apagada. Los insertos giratorios de la herramienta pueden deslizarse.
- Si la herramienta de aplicación se bloquea, apague la máquina. Afloje la herramienta de aplicación.
- Cuando se enciende con una herramienta de perforación bloqueada, puede producirse una reacción de par alto.
- Espere siempre hasta que la máquina se haya detenido por completo antes de colocarla. El inserto de la herramienta puede atascarse y provocar la pérdida de control sobre la herramienta eléctrica.
- Evite el encendido accidental. Asegúrese de que el interruptor de encendido/apagado esté en la posición de apagado para insertar la batería.
- No abra la batería. Riesgo de cortocircuito.
- En caso de daños y uso inadecuado de la batería, pueden emitir vapores. Ventile la zona y busque asistencia médica en caso de quejas. Los vapores pueden irritar el sistema respiratorio.
- Utilice la batería solo en combinación con su herramienta eléctrica. Esta medida evita que la batería se sobrecargue de forma peligrosa.
- Cargue la batería únicamente con el cargador recomendado.
- La batería tiene algo de carga. Cargue totalmente la batería cuando la utilice por primera vez.
- Lea las instrucciones del operario del cargador de la batería.
- Compruebe la posición de ajuste de la batería. Dos niveles de bloqueo son posibles.

## 5 PROPUESTA 65

### ▲ AVISO

Este producto contiene una sustancia química conocida en el estado de California como causante de cáncer, defectos de nacimiento u otros daños reproductivos. El polvo generado por el lijado eléctrico, el serrado, el esmerilado, la perforación y otras actividades de construcción contiene sustancias químicas que se sabe que son causantes de cáncer, defectos de nacimiento u otros daños reproductivos. Algunos ejemplos de estas sustancias químicas son:

- Plomo de pinturas con base de plomo;
- Sílice cristalina de ladrillos y cemento y otros productos de albañilería;
- Arsénico y cromo de la madera tratada químicamente.




El riesgo de exposición a estas sustancias químicas varía según la frecuencia con la que realice este tipo de trabajo. Para reducir su exposición a estas sustancias químicas, trabaje en una zona bien ventilada y trabaje con equipos de seguridad aprobados, como máscaras antipolvo, que estén especialmente diseñadas para filtrar partículas microscópicas.

Conserve estas instrucciones.

## 6 SÍMBOLOS EN EL PRODUCTO




En esta herramienta pueden utilizarse algunos de los siguientes símbolos. Le rogamos que los estudie y aprenda su significado. La interpretación correcta de estos símbolos le permitirá manejar la herramienta mejor y de manera más segura.

Símbolo	Explicación
V	Tensión
≡	Corriente continua
	Lea todas las advertencias de seguridad y todas las instrucciones.
	Lleve protección ocular
	Lleve protección auditiva
	Lleve guantes de seguridad
	Perforación sin impacto
	Perforación con percusión

Símbolo	Explicación
	Cincelado
	Atornillado
	No toque la pieza giratoria.

## 7 NIVELES DE RIESGO

Las siguientes indicaciones y significados tienen como fin explicar los niveles de riesgo asociados a este producto.

SÍMBOLO	INDICACIÓN	SIGNIFICADO
	PELIGRO	Indica una situación de peligro inminente que, de no evitarse, provocará lesiones graves o incluso la muerte.
	ADVERTENCIA	Indica una situación de peligro potencial que, de no evitarse, podría provocar lesiones graves o incluso la muerte.
	PRECAUCIÓN	Indica una situación de peligro potencial que, de no evitarse, puede provocar lesiones leves o moderadas.
	PRECAUCIÓN	(Sin símbolo de alerta sobre seguridad) Indica una situación que puede provocar daños materiales.

## 8 INSTALACIÓN

### 8.1 DESEMBALAJE DE LA MÁQUINA

#### ▲ AVISO

Asegúrese de montar correctamente la máquina antes del uso.

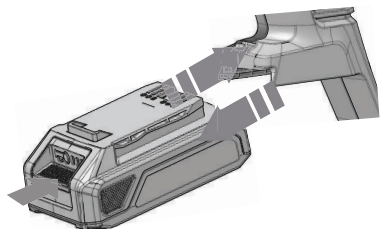
#### ▲ AVISO

- Si las piezas presentan daños, no utilice la máquina.
- Si no tiene todas las piezas, no utilice la máquina.
- Si faltan piezas o hay piezas dañadas, hable con el centro de servicio.

1. Abra el embalaje.
2. Lea la documentación que se encuentra en la caja.
3. Retire todas las piezas sin montar de la caja.
4. Retire la máquina de la caja.

5. Deseche la caja y el embalaje de conformidad con los reglamentos locales.

## 8.2 INSTALACIÓN DE LA BATERÍA



### ▲ AVISO

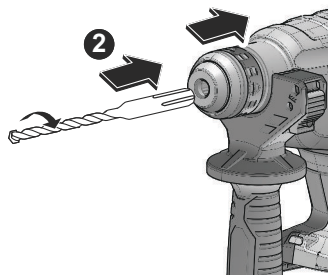
- Si la batería o el cargador ha sufrido daños, sustituya la batería o el cargador.
- Detenga la máquina y espere hasta que el motor se pare antes de instalar o retirar la batería.
- Debe leer, conocer y seguir las instrucciones del manual de la batería y el cargador.

1. Alinee las nervaduras de elevación de la batería con las ranuras del compartimento de la batería.
2. Introduzca la batería en el compartimento de la batería hasta que encaje en su posición.
3. Cuando escuche un clic, la batería está instalada.

## 8.3 RETIRADA DE LA BATERÍA

1. Pulse y mantenga pulsado el botón de desbloqueo de la batería.
2. Retire la batería de la máquina.

## 8.4 INSTALACIÓN DE LA BROCA



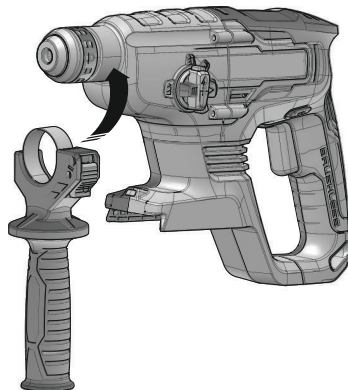
1. Empuje el interruptor de avance/retroceso a la posición "neutra" para bloquear el gatillo.
2. Tire hacia atrás del collarín de la abrazadera y sujételo en posición.
3. Ponga la broca en el acoplamiento.

4. Suelte el collarín de la abrazadera.

## 8.5 RETIRADA DE LA BROCA

1. Tire hacia atrás del collarín de la abrazadera y retire la broca.

## 8.6 INSTALACIÓN DEL ASA AUXILIAR



1. Gire el asa en sentido antihorario para aflojar el conjunto del asa.
2. Mueva el asa a la posición deseada.
3. Gire el asa en sentido horario para apretarla.

### ¡ NOTA

Asegúrese de que el asa auxiliar esté bien conectada a la abrazadera de la varilla del tope de profundidad. Esto fija la varilla de tope de profundidad a la profundidad de corte necesaria. También sujeta el asa auxiliar.

## 9 FUNCIONAMIENTO

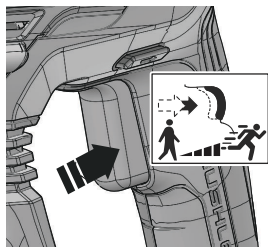
### ▲ AVISO

Lleve siempre protección ocular.

### ▲ AVISO

No utilice ningún accesorio no recomendado por el fabricante de este producto.

## 9.1 PUESTA EN MARCHA DE LA MÁQUINA



### **i** NOTA

La máquina no puede funcionar hasta que el interruptor de avance / retroceso se empuje totalmente hacia la izquierda o la derecha. No utilice la máquina a bajas velocidades durante periodos prolongados de tiempo.

1. Apriete el gatillo para encender la máquina.

### Velocidad variable

La máquina tiene un interruptor de velocidad variable que ofrece mayor velocidad con mayor presión del gatillo y menor velocidad con menor presión de gatillo.

## 9.2 DETENCIÓN DE LA MÁQUINA

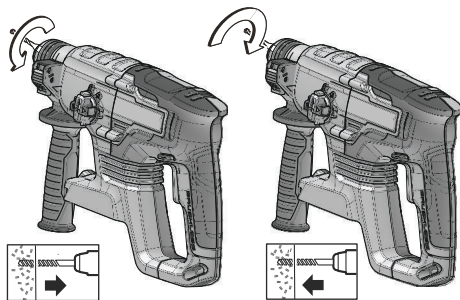
1. Suelte el gatillo para apagar la máquina.

### **▲** AVISO

Suelte el gatillo y deje que la máquina se detenga por completo.

## 9.3 INTERRUPTOR DE AVANCE / RETROCESO

La máquina tiene el interruptor (avance / retroceso) sobre el gatillo interruptor para cambiar la rotación.



1. Cuando el interruptor está en el lado izquierdo del gatillo interruptor, la dirección de la punta es hacia delante (apriete).

2. Cuando el interruptor está en el lado derecho del gatillo interruptor, la dirección de la punta se invierte (afloje).
3. Sitúe el interruptor de avance/retroceso en la posición de apagado (bloqueo central) para ayudar a disminuir la posibilidad de una puesta en marcha accidental cuando no esté en funcionamiento.

### **▲** AVISO

Suelte el gatillo y deje que la máquina se detenga por completo.

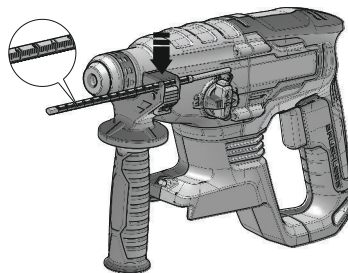
### **▲** AVISO

Deje que el portabrocas se pare por completo antes de cambiar la dirección de rotación.

### **i** NOTA

La máquina no funciona hasta que el interruptor de avance / retroceso se empuje totalmente hacia la izquierda o la derecha.

## 9.4 AJUSTE DE LA VARILLA DE PROFUNDIDAD

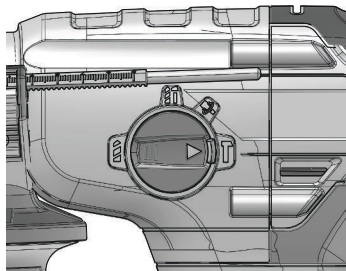


1. Empuje el interruptor de avance/retroceso a la posición "neutra" para bloquear el gatillo.
2. Presione el botón de ajuste de la varilla.
3. Ajuste la varilla de tope de profundidad para obtener la profundidad de perforación necesaria.
4. Suelte el botón de ajuste de la varilla.

### **i** NOTA

Cuando se instalan correctamente, los dientes de la varilla de tope de profundidad deben alinearse con el indicador de los dientes en la abrazadera de la varilla de tope de profundidad.

## 9.5 SELECCIÓN DEL MODO



Para cambiar el modo de funcionamiento, pulse el botón de desbloqueo y gire el interruptor de selección de modo a la posición correcta hasta que encaje.

La máquina se utiliza para cuatro funciones: perforación, percusión, perforación con percusión, cincelado, bloqueo vari-lock y parada de rotación.

### **i** NOTA

El modo de perforación con percusión puede destruir la estructura de la máquina cuando se utiliza para apretar o perforar sin brocas SDS Plus.

Utilice únicamente brocas con metal duro y vástago SDS Plus.

### **i** NOTA

Cuando perforo con percusión, no aplique demasiada presión.

## 9.6 PERFORACIÓN

1. Examine el selector de dirección de rotación para el ajuste correcto (avance o retroceso).
2. Fije el material a perforar en un tornillo de banco o con abrazaderas para evitar que gire.
3. Sujete el taladro con fuerza y coloque la broca en la posición correcta.
4. Apriete el gatillo para poner en marcha el taladro.
5. Mueva la broca en la pieza de trabajo y aplique solo la presión suficiente para que la broca siga cortando. No fuerce el taladro ni aplique presión lateral para alargar un orificio.
6. Cuando taladre sobre superficies duras o lisas, utilice un punzón para identificar el lugar donde debe taladrar el orificio. Esto puede evitar que la broca se mueva desde el centro.
7. Al taladrar metales, utilice un aceite ligero en la broca para evitar que se sobrecaliente. El aceite puede prolongar la vida útil de la broca y aumentar la acción de perforación.

8. Si la broca se atasca en la pieza de trabajo o si el taladro se atasca, detenga la máquina inmediatamente. Retire la broca de la pieza de trabajo y determine la razón del atasco.

### **▲** AVISO

Los taladros tienen una tendencia a atascarse y retroceder en dirección contraria a la dirección de rotación, lo que podría provocar la pérdida de control al romper el material. Si no está preparado, esta pérdida de control puede producir posibles lesiones graves.

### **i** NOTA

Este taladro tiene un freno eléctrico. Suelte el gatillo para evitar que el portabrocas gire. Cuando el freno funciona correctamente, pueden verse chispas a través de las ranuras de escape en la carcasa. Esto es normal y es la acción del freno.

## 9.7 PERFORACIÓN DE MATERIALES

### PERFORACIÓN EN MADERA

Para obtener el máximo rendimiento, utilice brocas de acero de alta velocidad para taladrar madera.

1. Utilice la máquina a una velocidad muy baja para evitar que la broca se deslice del punto de inicio. Aumente la velocidad a medida que la broca penetra en el material.
2. Cuando taladre orificios, coloque un trozo de madera detrás de la pieza de trabajo para evitar los bordes rasgados o astillados en la parte posterior del orificio.

### PERFORACIÓN EN METAL

Para obtener el máximo rendimiento, utilice brocas de acero de alta velocidad para taladrar en metal o acero.

1. Utilice la máquina a una velocidad muy baja para evitar que la broca se deslice del punto de inicio.
2. Mantenga una velocidad y una presión que permita cortar sin sobrecalentar la broca. Aplicar demasiada presión puede: Sobrecalentar el taladro, desgastar los rodamientos, doblar o quemar las brocas y producir orificios descentrados o de forma irregular.
3. Cuando taladre orificios grandes en metal, comience con una broca pequeña, posteriormente finalice con una broca grande. Asimismo, lubrique la broca con aceite para mejorar la acción de perforación y aumentar la vida útil de la broca.

### PERFORACIÓN EN MAMPOSTERÍA

Para obtener el máximo rendimiento, utilice brocas de impacto de mampostería con punta de carburo cuando taladre orificios en ladrillo, azulejo, hormigón, etc.

1. Mueva el botón de ajuste en el taladro percutor hacia la izquierda para el modo de percusión.
2. Aplique una ligera presión y velocidad media para obtener mejores resultados en ladrillo.
3. Cuando taladre orificios en azulejos, practique sobre una pieza de desecho para encontrar la mejor velocidad y

presión. Utilice la máquina a una velocidad muy baja para evitar que la broca se deslice del punto de inicio.

## 10 MANTENIMIENTO

### ▲ AVISO

Retire la batería de la máquina antes de realizar tareas de mantenimiento.

### ▲ AVISO

No utilice disolventes o detergentes fuertes en la carcasa o los componentes de plástico.

### 10.1 INSTALACIÓN Y CAMBIO DE LA BROCA SDS

Esta máquina está equipada con un sistema de conexión SDS Plus.

1. Limpie la broca y engrásela con grasa para máquinas antes de insertarla en el portabrocas.
2. Tire hacia atrás del collarín de la abrazadera y sujételo.
3. Introduzca y gire la herramienta sin polvo en el portabrocas todo lo que pueda.
4. Suelte el collarín de la abrazadera para bloquear la broca.
5. Examine que la broca se haya bloqueado tirando de ella.

### 10.2 LIMPIEZA DE LA MÁQUINA

#### ▲ PRECAUCIÓN

La máquina debe estar seca. La humedad supone un riesgo de descargas eléctricas.

- Quite el material no deseado del respiradero con un aspirador.
- No pulverice el respiradero ni lo introduzca en disolventes.
- Limpie la carcasa y los componentes de plástico con un paño húmedo y suave.

## 11 DATOS TÉCNICOS

Tensión	24 V
Velocidad sin carga	0~1000 min <sup>-1</sup>
Tasa de impacto	0~4500 min <sup>-1</sup>
Fuerza de impacto simple (EPTA)	2 J
Diám. perforación en hormigón	24 mm
Diám. perforación en piedra	24 mm
Diám. perforación en acero	13 mm
Diám. perforación en madera	32 mm

Peso sin batería	5.44 lbs
Modelo de batería	BAG709 y otras series BAG
Modelo de cargador	CAG801 y otras series CAG

#### El intervalo de temperatura ambiente recomendado:

Elemento	Temperatura
Intervalo de temperatura de almacenamiento del aparato	32°F (0°C) - 113°F (45°C)
Intervalo de temperatura de funcionamiento del aparato	32°F (0°C) - 113°F (45°C)
Intervalo de temperatura de carga de la batería	39°F (4°C) - 104°F (40°C)
Intervalo de temperatura de funcionamiento del cargador	39°F (4°C) - 104°F (40°C)
Intervalo de temperatura de almacenamiento de la batería	32°F (0°C) - 113°F (45°C)
Intervalo de temperatura de descarga de la batería	32°F (0°C) - 113°F (45°C)

## 12 GARANTÍA LIMITADA



Por la presente Greenworks garantiza este producto, al comprador original con el comprobante de compra, durante un periodo de tres (3) años frente a defectos en materiales, piezas o mano de obra. A su entera discreción Greenworks reparará o sustituirá cualquiera y todas las piezas que resulten ser defectuosas, con un uso normal, sin coste alguno para el cliente. Esta garantía es válida únicamente para unidades que se hayan utilizado para uso personal que no han sido compradas o alquiladas para uso industrial/comercial y cuyo mantenimiento se ha realizado de acuerdo con las instrucciones del manual del propietario suministrado con el producto nuevo.

#### ARTÍCULOS NO CUBIERTOS POR LA GARANTÍA:

1. Cualquier pieza que no funcione debido a mal uso, uso comercial, abuso, negligencia, accidente, mantenimiento inadecuado o alteración; o
2. La unidad, si no ha sido utilizada o mantenida de acuerdo con el manual del propietario; o
3. Desgaste normal;
4. Artículos de mantenimiento de rutina tales como lubricantes, afilado de cuchillas;

5. Deterioro normal del acabado exterior debido al uso o la exposición.

### LÍNEA DE ASISTENCIA TELEFÓNICA:

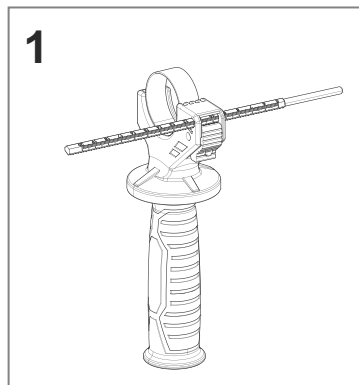
Puede contactar con el servicio de garantía llamando a nuestra línea de asistencia telefónica gratuita a 1-888-909-6757.

### COSTES DE TRANSPORTE:

Los costes de transporte por el desplazamiento de cualquier unidad o accesorio de equipos eléctricos son responsabilidad del comprador. Es responsabilidad del comprador pagar los costes de transporte de cualquier pieza enviada para su sustitución bajo esta garantía, a menos que dicha devolución sea solicitada por escrito por Greenworks.

<b>Dirección en EE.UU.:</b>	<b>Dirección en Canadá:</b>
Greenworks Tools	Greenworks Tools Canada, Inc.
P.O. Box 1238	P.O. Box 93095, Newmarket, Ontario
Mooresville, NC 28115	L3Y 8K3

## 13 VISTA DESPIEZADA



Nº	Cant.	Descripción
R0203 225-0 00	1	Asa auxiliar (Incluye ajuste de profundidad con el mango)

