

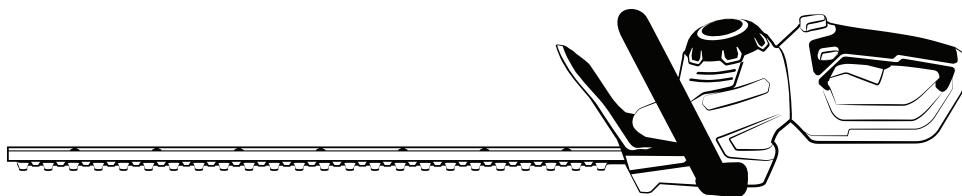
# greenworks

EN HEDGE TRIMMER

OPERATOR MANUAL

ES CORTADOR DE SETOS

MANUAL DEL OPERADOR



**HTF313**

[www.greenworkstools.com](http://www.greenworkstools.com)



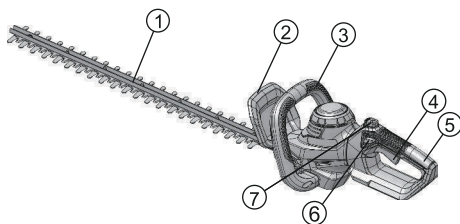
|          |                                     |          |           |                               |           |
|----------|-------------------------------------|----------|-----------|-------------------------------|-----------|
| <b>1</b> | <b>Description.....</b>             | <b>4</b> | <b>7</b>  | <b>Installation.....</b>      | <b>6</b>  |
| 1.1      | Purpose.....                        | 4        | 7.1       | Unpack the machine.....       | 6         |
| 1.2      | Overview.....                       | 4        | <b>8</b>  | <b>Operation.....</b>         | <b>7</b>  |
| <b>2</b> | <b>General power tool safety</b>    |          | 8.1       | Start the machine.....        | 7         |
|          | <b>warnings.....</b>                | <b>4</b> | 8.2       | Stop the machine.....         | 7         |
| 2.1      | Work area safety.....               | 4        | 8.3       | Turn the rear handle.....     | 8         |
| 2.2      | Electrical safety.....              | 4        | <b>9</b>  | <b>Maintenance.....</b>       | <b>8</b>  |
| 2.3      | Personal safety.....                | 4        | 9.1       | Clean the machine.....        | 8         |
| 2.4      | Power tool use and care.....        | 4        | 9.2       | Lubricate the blade.....      | 8         |
| 2.5      | Battery tool use and care.....      | 4        | <b>10</b> | <b>Store the machine.....</b> | <b>8</b>  |
| 2.6      | Service.....                        | 5        | <b>11</b> | <b>Troubleshooting.....</b>   | <b>8</b>  |
| 2.7      | Hedge trimmer safety warnings.....  | 5        | <b>12</b> | <b>Technical data.....</b>    | <b>9</b>  |
| 2.8      | Proposition 65.....                 | 5        | <b>13</b> | <b>Limited warranty.....</b>  | <b>9</b>  |
| <b>3</b> | <b>Child safety.....</b>            | <b>5</b> | <b>14</b> | <b>Exploded view.....</b>     | <b>10</b> |
| <b>4</b> | <b>Symbols on the product.....</b>  | <b>5</b> |           |                               |           |
| <b>5</b> | <b>Risk levels.....</b>             | <b>6</b> |           |                               |           |
| <b>6</b> | <b>Environmentally safe battery</b> |          |           |                               |           |
|          | <b>disposal.....</b>                | <b>6</b> |           |                               |           |

## 1 DESCRIPTION

### 1.1 PURPOSE

This machine is intended for cutting and trimming hedges and bushes in domestic use. It is not intended to be used for cutting above shoulder level.

### 1.2 OVERVIEW



- |                    |                          |
|--------------------|--------------------------|
| 1 Blade            | 5 Rear handle            |
| 2 Guard            | 6 Safety lock button     |
| 3 Auxiliary handle | 7 Rotating button        |
| 4 Trigger          | 8 Battery release button |

## 2 GENERAL POWER TOOL SAFETY WARNINGS

### ▲ WARNING

Read all safety warnings and all instructions. Failure to follow the warnings and instructions may result in electric shock, fire and/or serious injury.

Save all warnings and instructions for future reference.

The term “power tool” in the warnings refers to your battery-operated (cordless) power tool.

### 2.1 WORK AREA SAFETY

- **Keep work area clean and well lit.** Cluttered or dark areas invite accidents.
- **Do not operate power tools in explosive atmospheres, such as in the presence of flammable liquids, gases or dust.** Power tools create sparks which may ignite the dust or fumes.
- **Keep children and bystanders away while operating a power tool.** Distractions can cause you to lose control.

### 2.2 ELECTRICAL SAFETY

- **Do not expose power tools to rain or wet conditions.** Water entering a power tool will increase the risk of electric shock.

### 2.3 PERSONAL SAFETY

- **Stay alert, watch what you are doing and use common sense when operating a power tool.** Do not use a

power tool while you are tired or under the influence of drugs, alcohol or medication. A lapse of attention while operating power tools may result in serious personal injury.

- **Use personal protection. Always wear eye protection.** Protective products such as dust mask, non-skid safety shoes, hard hat or hearing protection used appropriately will reduce personal injuries.
- **Prevent unintentional starting.** Ensure the switch is in the off position before connecting to power source and/or battery pack and when picking up or carrying the tool. Carrying power tools with your finger on the switch or energizing power tools that have the switch on invites accidents.
- **Do not over-reach. Keep proper footing and balance at all times.** This enables better control of the power tool in unexpected situations.
- **Dress properly. Do not wear loose clothing or jewellery. Keep your hair, clothing and gloves away from moving parts.** Loose clothes, jewellery or long hair can be caught in moving parts.

### 2.4 POWER TOOL USE AND CARE

- **Do not force the power tool. Use the correct power tool for your application.** The correct power tool will do the job better and safer at the rate for which it was designed.
- **Do not use the power tool if the switch does not turn it on and off.** Any power tool that cannot be controlled with the switch is dangerous and must be repaired.
- **Disconnect the plug from the power source and/or the battery pack from the power tool before making any adjustments, changing accessories, or storing power tools.** Such preventive safety measures reduce the risk of starting the power tool accidentally.
- **Store idle power tools out of the reach of children and do not allow persons unfamiliar with the power tool or these instructions to operate the power tool.** Power tools are dangerous in the hands of untrained users.
- **Maintain power tools. Check for misalignment or binding of moving parts, breakage of parts and any other condition that may affect the power tool’s operation.** If damaged, have the power tool repaired before use. Many accidents are caused by poorly maintained power tools.
- **Keep cutting tools sharp and clean.** Properly maintained cutting tools with sharp cutting edges are less likely to bind and are easier to control.
- **Use the power tool, accessories and tool bits etc. in accordance with these instructions, taking into account the working conditions and the work to be performed.** Use of the power tool for operations different from those intended could result in a hazardous situation.

### 2.5 BATTERY TOOL USE AND CARE

- **Recharge only with the charger specified by the manufacturer.** A charger that is suitable for one type of

battery pack may create a risk of fire when used with another battery pack.

- **Use power tools only with specifically designated battery packs.** Use of any other battery packs may create a risk of injury and fire.
- **When battery pack is not in use, keep it away from other metal objects like paper clips, coins, keys, nails, screws, or other small metal objects that can make a connection from one terminal to another.** Shorting the battery terminals together may cause burns or fire.
- **Under abusive conditions, liquid may be ejected from the battery; avoid contact. If contact accidentally occurs, flush with plenty of soap and water. If liquid contacts eyes, immediately seek medical help.** Liquid ejected from the battery may cause irritation or burns.

## 2.6 SERVICE

- **Have your power tool serviced by a qualified repair person using only identical replacement parts.** This will ensure that the safety of the power tool is maintained.

## 2.7 HEDGE TRIMMER SAFETY WARNINGS

- **Use both hands when operating the hedge trimmer.** Using one hand could cause loss of control and result in serious personal injury.
- **Keep all parts of the body away from the cutter blade.** Do not remove cut material or hold material to be cut when blades are moving. Blades coast after turn off. Make sure the switch is off when clearing jammed material. A moment of inattention while operating the hedge trimmer may result in serious personal injury.
- **Carry the power tool by the handle with the cutter blade stopped.** When transporting or storing the power tool always fit the cutting device cover. Proper handling of the hedge trimmer will reduce possible personal injury from the cutter blades.
- **Hold the power tool by insulated gripping surfaces only, because the cutter blade may contact hidden wiring.** Cutter blades contacting a "live" wire may make exposed metal parts of the power tool "live" and could give the operator an electric shock.
- **DANGER – Keep hands away from blade.** Contact with blade will result in serious personal injury.
- **Keep cable away from cutting area.** During operation the cable may be hidden in shrubs and can be accidentally cut by the blade.
- **Always store idle power tools indoors.** When not in use, power tools should be stored indoors in a dry place, out of reach of children.
- **Do not use the power tool in bad weather conditions, especially when there is a risk of lightning.** This decreases the risk of being struck by lightning.
- **Avoid body contact with earthed or grounded surfaces, such as pipes, radiators, ranges and**

**refrigerators.** There is an increased risk of electric shock if your body is earthed or grounded.

## 2.8 PROPOSITION 65

### ▲ WARNING

This product contains a chemical known to the state of California to cause cancer, birth defects or other reproductive harm. Some dust created by power sanding, sawing, grinding, drilling, and other construction activities contains chemicals known to cause cancer, birth defects or other reproductive harm. Some examples of these chemicals are:

- Lead from lead-based paints;
- Crystalline silica from bricks and cement and other masonry products;
- Arsenic and chromium from chemically treated lumber.

Your risk of exposure to these chemicals varies depending on how often you do this type of work. To reduce your exposure to these chemicals, work in a well-ventilated area, and work with approved safety equipment, such as dust masks that are specially designed to filter out microscopic particles.

Save these instructions.

## 3 CHILD SAFETY









Tragic accidents can occur if the operator is not aware of the presence of children.

- Keep children out of the working area and under the watchful care of a responsible adult.
- Do not allow children under the age of 14 to operate this machine. Children who are 14 years of age and older must read and understand the operating instructions and safety rules in this manual and must be trained and supervised by a parent.
- Stay alert, and turn the machine off if a child or any other person enters the working area.
- Use extreme care when approaching blind corners, doorways, shrubs, trees, or other objects that may obscure your view of a child who may run into the path of the machine.

## 4 SYMBOLS ON THE PRODUCT




Some of the following symbols may be used on this product. Please study them and learn their meaning. Proper interpretation of these symbols will allow you to operate the product better and safer.

| Symbol | Explanation                   |
|--------|-------------------------------|
| V      | Voltage                       |
| A      | Current                       |
| Hz     | Frequency (cycles per second) |

| Symbol  | Explanation   |
|---|---|
| W   | Power   |
| min   | Time  |
| ---   | Type or a characteristic of current   |
|  | Precautions that involve your safety.   |
|  | Read and understand all instructions before operating the product, and follow all warnings and safety instructions. |
|  | Always wear eye protection with side shields marked to comply with ANSI Z87.1 when operating this equipment.        |
|  | Thrown objects can ricochet and result in personal injury or property damage. Wear protective clothing and boots.   |
|  | Wear non-slip, heavy duty gloves.   |
|  | Keep all bystanders at least 15m away.  |
|  | Do not expose the product to rain or moist conditions.  |
|  | Danger – keep hands and feet away from blade.   |

## 5 RISK LEVELS

The following signal words and meanings are intended to explain the levels of risk associated with this product.

| SYMBOL   | SIGNAL  | MEANING  |
|--|---------|--|
|  | DANGER  | Indicates an imminently hazardous situation, which, if not avoided, will result in death or serious injury.  |
|  | WARNING | Indicates a potentially hazardous situation, which, if not avoided, could result in death or serious injury. |
|  | CAUTION | Indicates a potentially hazardous situation, which, if not avoided, may result in minor or moderate injury.  |
|  | CAUTION | (Without Safety Alert Symbol) Indicates a situation that may result in property damage.                      |

## 6 ENVIRONMENTALLY SAFE BATTERY DISPOSAL



The toxic and corrosive materials below are in the batteries used in this machine: **Lithium-Ion, a toxic material.**

### ▲ WARNING

Discard all toxic materials in a specified manner to prevent contamination of the environment. Before discarding damaged or worn out Li-ion battery, contact your local waste disposal agency, or the local Environmental Protection Agency for information and specific instructions. Take the batteries to a local recycling and/or disposal center, certified for lithium-ion disposal.

### ▲ WARNING

If the battery pack cracks or breaks, with or without leaks, do not recharge it and do not use. Discard it and replace with a new battery pack. **DO NOT TRY TO REPAIR IT!** To prevent injury and risk of fire, explosion, or electric shock, and to avoid damage to the environment:

- Cover the terminals of the battery with heavy-duty adhesive tape.
- **DO NOT** try to remove or destroy any of the battery pack components.
- **DO NOT** try to open the battery pack.
- If a leak develops, the released electrolytes are corrosive and toxic. **DO NOT** get the solution in the eyes or on skin, and do not swallow it.
- **DO NOT** put these batteries in your regular household trash.
- **DO NOT** incinerate.
- **DO NOT** put them where they will become part of any waste landfill or municipal solid waste stream.
- Take them to a certified recycling or disposal center.

## 7 INSTALLATION

### 7.1 UNPACK THE MACHINE

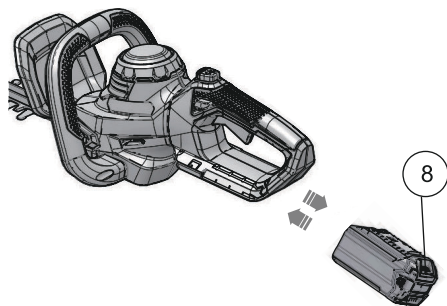
### ▲ WARNING

It is not necessary to assemble the machine.

**▲ WARNING**

- If the parts have damage, do not use the machine.
- If you do not have all the parts, do not operate the machine.
- If the parts are damaged or missing, speak to the service center.

1. Open the package.
2. Read the documentation in the box.
3. Remove the machine from the box.
4. Discard the box and package in compliance with local regulations.

**7.1.1 INSTALL THE BATTERY PACK****▲ WARNING**

- If the battery pack or charger is damaged, replace the battery pack or the charger.
- Stop the machine and wait until the motor stops before you install or remove the battery pack.
- Read, know, and do the instructions in the battery and charger manual.

1. Align the lift ribs on the battery pack with the grooves in the battery compartment.
2. Push the battery pack into the battery compartment until the battery pack locks into place.
3. When you hear a click, the battery pack is installed.

**7.1.2 REMOVE THE BATTERY PACK**

1. Push and hold the battery release button.
2. Remove the battery pack from the machine.

**8 OPERATION**

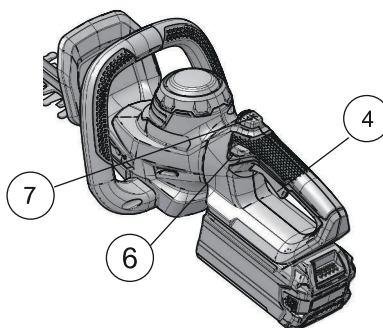
- Do not put your fingers into the notches or in position where they can get cut.
- Do not touch the blade unless you remove the battery pack.

- Do not use the machine if the blade is damaged or bent.
- Remove all objects such as cords, lights, wire, or string which can become entangled in the cutting blade and create a risk of personal injury.

**▲ WARNING**

If the blade jams on an electrical cord or line, **DO NOT TOUCH THE BLADE! IT CAN BE LIVE AND DANGEROUS.** Do the steps below:

1. Hold the insulated rear handle or put the machine down and away from you.
2. Disconnect the electrical service to the damaged line or cord before you try to free the blade.

**8.1 START THE MACHINE**

1. Press the safety lock button.
2. Press the trigger while you hold the safety lock button.
3. Release the safety lock button.

**▲ WARNING**

Hold the machine with hands during operation.

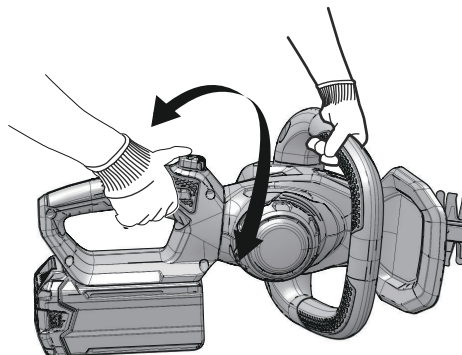
**i NOTE**

If the machine accidentally falls, it will stop and the blade will fully stop after a few seconds. The machine will then lock OFF.

**8.2 STOP THE MACHINE**

1. Release the trigger to stop the machine.

### 8.3 TURN THE REAR HANDLE



You can use the rotating button to adjust the rear handle to 5 different positions to cut the hedges easier.

1. Put the machine on a flat and smooth surface.
2. Pull the rotating button and turn the rear handle.
3. Release the rotating button until it locks into position.

## 9 MAINTENANCE

### ▲ CAUTION

Do not let brake fluids, gasoline, petroleum-based materials touch the plastic parts. Chemicals can cause damage to the plastic, and make the plastic unserviceable.

### ▲ CAUTION

Do not use strong solvents or detergents on the plastic housing or components.

### ▲ WARNING

Remove the battery pack from the machine before maintenance.

### 9.1 CLEAN THE MACHINE

### ▲ WARNING

Keep the machine and the motor free of leaves, branches or excessive oil to prevent fire risks.

- Use a moist cloth with a mild detergent to clean the machine.
- Clean all moisture with a soft dry cloth.
- Use a small brush to clean the air vents.

### 9.2 LUBRICATE THE BLADE

To increase the efficiency and life of the blades, lubricate them carefully after each work session:

- Put the machine on a flat and smooth surface.
- Use a soft cloth to clean the blades and a brush to remove more dirt.
- Use a light layer of oil to lubricate the blades along the top edge of the blade.

### i NOTE

We recommend to use the non-pollutant type oil.

## 10 STORE THE MACHINE

### i NOTE

Clean the machine before storage.

1. Remove the battery pack.
2. Let the motor cool.
3. Check that there are no loose or damaged components. If it is necessary, replace the damaged components, tighten screws and bolts, or speak to a person of an approved service center.
4. Store the machine in a cool and dry location.

## 11 TROUBLESHOOTING

| Problem   | Possible cause                             | Solution   |
|---|--|--|
| The motor does not start when you pull the trigger. | The battery pack is not installed tightly. | Make sure that you tightly install the battery pack in the machine.  |
|   | The battery pack is out of power.          | Charge the battery pack.   |
| The machine smokes during operation.                | The machine has damage.                    | <ol style="list-style-type: none"> <li>1. Immediately stop the machine.</li> <li>2. Remove the battery pack.</li> <li>3. Speak to service center.</li> </ol> |
| The motor is on, blades do not move.                | The machine has damage.                    | Do not use the machine and speak to service center.  |
|   | The blades are blocked.                    | Remove battery pack then clear blockage from the blades.   |



| Problem  | Possible cause          | Solution  |
|--|-------------------------|---|
| There is too much noise and/or vibration during operation. | The parts are loosened. | <ol style="list-style-type: none"> <li>1. Stop the machine.</li> <li>2. Remove the battery.</li> <li>3. Inspect for damage.</li> <li>4. Check and tighten loose parts.</li> </ol> |
|  | The parts have damage.  | Do not use the machine and speak to service center.   |

2. The unit, if it has not been operated and/or maintained in accordance with the owner's manual; or
3. Normal wear, except as noted below;
4. Routine maintenance items such as lubricants, blade sharpening;
5. Normal deterioration of the exterior finish due to use or exposure.

**HELPLINE:**

Warranty service is available by calling our toll-free helpline, at 1-888-909-6757.

**TRANSPORTATION CHARGES:**

Transportation charges for the movement of any power equipment unit or attachment are the responsibility of the purchaser. It is the purchaser's responsibility to pay transportation charges for any part submitted for replacement under this warranty unless such return is requested in writing by Greenworks.

**USA ADDRESS:**

Greenworks Tools  
P.O. Box 1238  
Mooresville, NC 28115

**12 TECHNICAL DATA**

|                               |                             |
|-------------------------------|-----------------------------|
| Voltage                       | 40V                         |
| No load speed                 | 3000(±10%) SPM              |
| Blade length                  | 24" (610 mm) mm             |
| Cutting capacity              | 3/4"                        |
| Weight (without battery pack) | 2.6 kg                      |
| Battery model                 | BAF722 and other BAF series |
| Charger model                 | CAF series or 29482 charger |

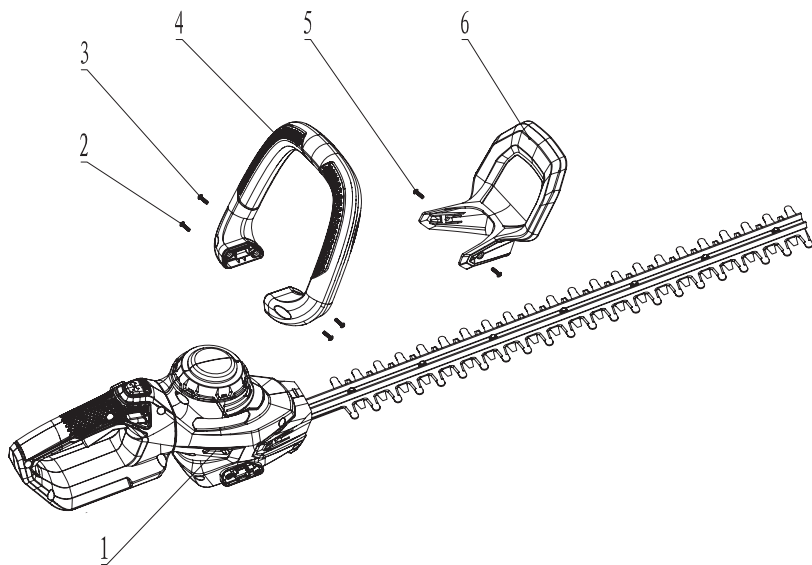
**13 LIMITED WARRANTY**

Greenworks hereby warrants this product, to the original purchaser with proof of purchase, for a period of three (3) years against defects in materials, parts or workmanship. Greenworks, at its own discretion will repair or replace any and all parts found to be defective, through normal use, free of charge to the customer. This warranty is valid only for units which have been used for personal use that have not been hired or rented for industrial/commercial use, and that have been maintained in accordance with the instructions in the owners' manual supplied with the product from new.

**ITEMS NOT COVERED BY WARRANTY:**

1. Any part that has become inoperative due to misuse, commercial use, abuse, neglect, accident, improper maintenance, or alteration; or

## 14 EXPLODED VIEW



| No. | Part No.  | Qty | Description               |
|-----|-----------|-----|---------------------------|
| 1   | 310023801 | 1   | Bare tool assembly        |
| 2   | 32204113D | 2   | Screw                     |
| 3   | 32201815  | 2   | Screw                     |
| 4   | 341102232 | 1   | Auxiliary handle assembly |
| 5   | 322031425 | 2   | Screw                     |
| 6   | 341062221 | 1   | Guard                     |

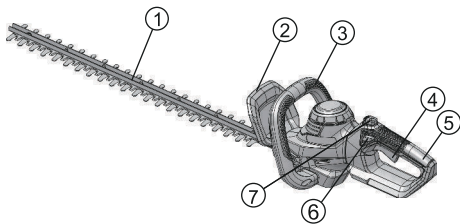
|          |  |           |           |  |           |
|----------|--|-----------|-----------|--|-----------|
| <b>1</b> | <b>Descripción.....</b>  | <b>12</b> | <b>5</b>  | <b>Niveles de riesgo.....</b>  | <b>14</b> |
| 1.1      | Finalidad.....   | 12        | <b>6</b>  | <b>Eliminación de batería segura<br/>para el medio ambiente.....</b> | <b>15</b> |
| 1.2      | Perspectiva general.....   | 12        | <b>7</b>  | <b>Instalación.....</b>  | <b>15</b> |
| <b>2</b> | <b>Advertencias generales de<br/>seguridad para herramientas<br/>eléctricas.....</b> | <b>12</b> | 7.1       | Desembalaje de la máquina.....                                       | 15        |
| 2.1      | Seguridad de la zona de trabajo.....   | 12        | <b>8</b>  | <b>Funcionamiento.....</b>   | <b>16</b> |
| 2.2      | Seguridad eléctrica.....   | 12        | 8.1       | Puesta en marcha de la máquina.....                                  | 16        |
| 2.3      | Seguridad personal.....  | 12        | 8.2       | Detención de la máquina.....   | 16        |
| 2.4      | Utilización y cuidado de herramientas<br>eléctricas.....                             | 12        | 8.3       | Giro del asa posterior.....  | 16        |
| 2.5      | Utilización y cuidado de herramientas a<br>batería.....                              | 13        | <b>9</b>  | <b>Mantenimiento.....</b>  | <b>16</b> |
| 2.6      | Servicio.....  | 13        | 9.1       | Limpieza de la máquina.....  | 16        |
| 2.7      | Advertencias de seguridad para cortasetos.....                                       | 13        | 9.2       | Lubricación de la cuchilla.....                                      | 17        |
| 2.8      | Propuesta 65.....  | 14        | <b>10</b> | <b>Almacenamiento de la máquina.....</b>                             | <b>17</b> |
| <b>3</b> | <b>Seguridad infantil.....</b>   | <b>14</b> | <b>11</b> | <b>Solución de problemas.....</b>                                    | <b>17</b> |
| <b>4</b> | <b>Símbolos en el producto.....</b>  | <b>14</b> | <b>12</b> | <b>Datos técnicos.....</b>   | <b>17</b> |
|          |  |           | <b>13</b> | <b>Garantía limitada.....</b>  | <b>17</b> |
|          |  |           | <b>14</b> | <b>Vista en despiece.....</b>  | <b>18</b> |

## 1 DESCRIPCIÓN

### 1.1 FINALIDAD

Esta máquina se ha diseñado para cortar y podar setos y arbustos en un entorno doméstico. No se ha diseñado para cortes por encima del nivel del hombro.

### 1.2 PERSPECTIVA GENERAL



- |                 |                                     |
|-----------------|-------------------------------------|
| 1 Cuchilla      | 6 Botón de bloqueo de seguridad     |
| 2 Protección    | 7 Botón de rotación                 |
| 3 Asa auxiliar  | 8 Botón de desbloqueo de la batería |
| 4 Gatillo       |                                     |
| 5 Asa posterior |                                     |

## 2 ADVERTENCIAS GENERALES DE SEGURIDAD PARA HERRAMIENTAS ELÉCTRICAS

### ▲ AVISO

Lea todas las advertencias de seguridad y todas las instrucciones. El incumplimiento de las advertencias e instrucciones puede provocar descargas eléctricas, incendios o lesiones graves.

Guarde todas las advertencias e instrucciones para su consulta posterior.

El término "herramienta eléctrica" empleado en las advertencias se refiere a su herramienta eléctrica con funcionamiento a batería (inalámblica).

### 2.1 SEGURIDAD DE LA ZONA DE TRABAJO

- Mantenga limpia y bien iluminada la zona de trabajo. Las zonas desordenadas u oscuras fomentan los accidentes.
- No utilice herramientas eléctricas en atmósferas explosivas, como en la presencia de líquidos, gases o polvo que puedan inflamarse. Las herramientas eléctricas generan chispas que pueden encender el polvo o los gases.
- Mantenga alejados a los niños y los transeúntes mientras utilice una herramienta eléctrica. Las distracciones pueden hacer que pierda el control.

### 2.2 SEGURIDAD ELÉCTRICA

- No exponga las herramientas eléctricas a la lluvia ni a condiciones de humedad. Si penetra agua en una herramienta eléctrica, aumentará el riesgo de descarga eléctrica.

### 2.3 SEGURIDAD PERSONAL

- Manténgase alerta, observe lo que está haciendo y emplee el sentido común cuando utilice una herramienta eléctrica. No utilice una herramienta eléctrica mientras esté cansado o bajo la influencia de drogas, alcohol o medicamentos. Una falta de atención durante el uso de herramientas eléctricas puede provocar lesiones personales graves.
- Utilice protección personal. Lleve siempre protección ocular. Si se utilizan correctamente productos de protección como máscaras antipolvo, zapatos de seguridad antideslizantes, cascos o protecciones auditivas, se reducirán las lesiones personales.
- Evite el arranque accidental. Asegúrese de que el interruptor esté en la posición de apagado antes de conectar a la fuente de alimentación o a la batería y al coger o transportar la herramienta. El transporte de herramientas eléctricas con el dedo en el interruptor o la conexión de herramientas eléctricas que tienen el interruptor activado fomenta los accidentes.
- No se estire. Mantenga en todo momento una postura adecuada y el equilibrio. Esto permite un mejor control de la herramienta eléctrica en situaciones inesperadas.
- Lleve indumentaria adecuada. No lleve ropa o joyas sueltas. Mantenga el cabello, la ropa y los guantes lejos de las piezas móviles. La ropa suelta, las joyas o el cabello largo pueden quedar atrapados en las piezas móviles.

### 2.4 UTILIZACIÓN Y CUIDADO DE HERRAMIENTAS ELÉCTRICAS

- No fuerce la herramienta eléctrica. Utilice la herramienta eléctrica correcta para su aplicación. La herramienta eléctrica correcta hará el trabajo mejor y con mayor seguridad a la velocidad para la que se diseñó.
- No utilice la herramienta eléctrica si el interruptor no la enciende y la apaga. Cualquier herramienta eléctrica que no pueda controlarse con el interruptor es peligrosa y debe repararse.
- Desconecte el enchufe de la fuente de alimentación o la batería de la herramienta eléctrica antes de realizar ajustes, cambiar accesorios o almacenar herramientas eléctricas. Estas medidas de seguridad preventivas reducen el riesgo de que la herramienta eléctrica se arranque accidentalmente.
- Almacene las herramientas eléctricas inactivas fuera del alcance de los niños y no permita que personas que no estén familiarizadas con la herramienta eléctrica o estas instrucciones puedan utilizarla. Las herramientas

*eléctricas son peligrosas en manos de usuarios inexpertos.*

- **Realice el mantenimiento de las herramientas eléctricas.** Compruebe si hay desalineación o unión de las piezas móviles, rotura de piezas y cualquier otra condición que pueda afectar al funcionamiento de la herramienta eléctrica. Si ha sufrido daños, lleve a reparar la herramienta eléctrica antes del uso. *Numerosos accidentes se deben a herramientas eléctricas mal mantenidas.*
- **Mantenga limpias y afiladas las herramientas de corte.** *Las herramientas de corte mantenidas correctamente con filos cortantes tienen menos probabilidades de atascarse y son más fáciles de controlar.*
- **Utilice la herramienta eléctrica, los accesorios, las brocas, etc. de acuerdo con estas instrucciones, teniendo en cuenta las condiciones de trabajo y el trabajo a realizar.** *El uso de la herramienta eléctrica para operaciones distintas de las previstas podría dar lugar a una situación peligrosa.*

## 2.5 UTILIZACIÓN Y CUIDADO DE HERRAMIENTAS A BATERÍA

- **Recargue solo con el cargador especificado por el fabricante.** *Un cargador adecuado para un tipo de batería puede dar lugar a un riesgo de incendio cuando se usa con otra batería.*
- **Utilice las herramientas eléctricas únicamente con las baterías designadas específicamente.** *El uso de cualquier otra batería puede dar lugar a un riesgo de lesiones e incendio.*
- **Cuando la batería no esté en uso, manténgala alejada de otros objetos metálicos como clips, monedas, llaves, clavos, tornillos u otros objetos metálicos pequeños que puedan hacer una conexión entre los terminales.** *El cortocircuito de los terminales de la batería puede provocar quemaduras o incendios.*
- **Bajo condiciones abusivas, es posible que salga líquido despedido de la batería; evite el contacto.** Si se produce un contacto accidental, aclare con abundante agua y jabón. Si el líquido entra en contacto con los ojos, acuda al médico inmediatamente. *El líquido despedido de la batería puede provocar irritación o quemaduras.*

## 2.6 SERVICIO

- **Solicite a un técnico de reparación cualificado que realice las tareas de servicio de su herramienta eléctrica utilizando únicamente piezas de repuesto idénticas.** *Esto garantizará el mantenimiento de la seguridad de la herramienta eléctrica.*

## 2.7 ADVERTENCIAS DE SEGURIDAD PARA CORTASETOS

- **Use ambas manos cuando utilice el cortasetos.** El uso de una mano puede provocar la pérdida de control y lesiones personales graves.
- **Mantenga todas las partes del cuerpo alejadas de la cuchilla de corte.** No retire el material cortado ni sujete el material a cortar cuando las cuchillas se estén moviendo. Después de apagar, la cuchilla de corte continúa girando libremente. Asegúrese de que el interruptor esté desactivado al eliminar el material atascado. *Un momento de inatención durante el uso del cortasetos puede provocar lesiones personales graves.*
- **Lleve la herramienta eléctrica por el asa con la cuchilla de corte detenida.** Cuando transporte o almacene la herramienta eléctrica, coloque siempre la cubierta del dispositivo de corte. *El manejo adecuado del cortasetos reducirá las posibles lesiones personales producidas por la cuchilla de corte.*
- **Sujete la herramienta eléctrica solo por las superficies de agarre aisladas, ya que la cuchilla de corte puede entrar en contacto con cableado oculto.** *Si la cuchilla de corte entra en contacto con un cable "con corriente", esto puede hacer que las piezas metálicas expuestas de la herramienta eléctrica "tengan corriente" y podrían producir una descarga eléctrica al operario.*
- **PELIGRO – Mantenga las manos alejadas de la cuchilla.** *El contacto con la cuchilla provocará lesiones personales graves.*
- **Mantenga el cable alejado de la zona de corte.** *Durante el funcionamiento, el cable puede estar oculto entre los arbustos y ser cortado accidentalmente por la cuchilla.*
- **Almacene siempre las herramientas eléctricas inactivas en interiores.** *Cuando no estén en uso, las herramientas eléctricas deben almacenarse en interiores, en un lugar seco, fuera del alcance de los niños.*
- **Evite utilizar la herramienta eléctrica con mal tiempo, especialmente cuando exista un riesgo de rayos.** *Esto disminuye el riesgo de ser alcanzado por un rayo.*
- **Evite el contacto del cuerpo con superficies conectadas a tierra, como tuberías, radiadores, estufas y refrigeradores.** *Existe un riesgo aumentado de descarga eléctrica si su cuerpo está conectado a tierra.*

## 2.8 PROPUESTA 65

## ▲ AVISO

Este producto contiene una sustancia química conocida en el estado de California como causante de cáncer, defectos de nacimiento u otros daños reproductivos. El polvo generado por el lijado eléctrico, el serrado, el esmerilado, la perforación y otras actividades de construcción contiene sustancias químicas que se sabe que son causantes de cáncer, defectos de nacimiento u otros daños reproductivos. Algunos ejemplos de estas sustancias químicas son:

- Plomo de pinturas con base de plomo;
- Sílice cristalina de ladrillos y cemento y otros productos de albañilería;
- Arsénico y cromo de la madera tratada químicamente.

El riesgo de exposición a estas sustancias químicas varía según la frecuencia con la que realice este tipo de trabajo. Para reducir su exposición a estas sustancias químicas, trabaje en una zona bien ventilada y trabaje con equipos de seguridad aprobados, como máscaras antipolvo, que estén especialmente diseñadas para filtrar partículas microscópicas.

Conserve estas instrucciones.

## 3 SEGURIDAD INFANTIL









Pueden producirse accidentes trágicos si el operario no es consciente de la presencia de niños.

- Mantenga a los niños fuera de la zona de trabajo y bajo la vigilancia de un adulto responsable.
- No permita que niños menores de 14 años utilicen esta máquina. Los niños de 14 años y mayores deben leer y entender las instrucciones de funcionamiento y las normas de seguridad que se encuentran en este manual y deben recibir formación y supervisión por parte de uno de sus progenitores.
- Manténgase alerta y apague la máquina si un niño o cualquier otra persona entra en la zona de trabajo.
- Tenga mucho cuidado al acercarse a esquinas ciegas, portales, arbustos, árboles u otros objetos que puedan ocultar su visión de un niño que pueda correr hacia el recorrido de la máquina.

## 4 SÍMBOLOS EN EL PRODUCTO




Algunos de los siguientes símbolos podrían ser utilizados en este producto. Por favor, estúdielos y aprenda su significado. La interpretación correcta de estos símbolos le permitirá usar mejor el producto y de manera más segura.

| Símbolo | Explicación                     |
|---------|---------------------------------|
| V       | Tensión                         |
| A       | Corriente                       |
| Hz      | Frecuencia (ciclos por segundo) |

| Símbolo   | Explicación   |
|---|---|
| W   | Potencia  |
| min   | Tiempo  |
| ==  | Tipo o característica de la corriente   |
|  | Precauciones relacionadas con su seguridad  |
|  | Antes de utilizar el producto, lea y comprenda todas las instrucciones y siga todas las advertencias y medidas de seguridad.  |
|  | Durante el uso de este aparato, utilice siempre una protección ocular con pantallas laterales que cumpla la norma ANSI Z87.1. |
|  | Los objetos lanzados pueden rebotar y provocar lesiones personales o daños materiales. Utilice ropa y botas de seguridad.     |
|  | Utilice unos guantes resistentes y antideslizantes.   |
|  | Mantenga a otras personas a una distancia mínima de 15 m.   |
|  | No exponga el producto a la lluvia ni a entornos húmedos.   |
|  | Peligro - Mantenga las manos y los pies alejados de la cuchilla.  |

## 5 NIVELES DE RIESGO

Las siguientes indicaciones y significados tienen como fin explicar los niveles de riesgo asociados a este producto.

| SÍMBOLO   | INDICACIÓN  | SIGNIFICADO   |
|---|-------------|---|
|  | PELIGRO     | Indica una situación de peligro inminente que, de no evitarse, provocará lesiones graves o incluso la muerte.       |
|  | ADVERTENCIA | Indica una situación de peligro potencial que, de no evitarse, podría provocar lesiones graves o incluso la muerte. |
|  | PRECAUCIÓN  | Indica una situación de peligro potencial que, de no evitarse, puede provocar lesiones leves o moderadas.           |

| SÍMBOLO | INDICACIÓN | SIGNIFICADO   |
|---------|------------|---|
|         | PRECAUCIÓN | (Sin símbolo de alerta sobre seguridad) Indica una situación que puede provocar daños materiales. |

## 6 ELIMINACIÓN DE BATERÍA SEGURA PARA EL MEDIO AMBIENTE



Los materiales tóxicos y corrosivos que figuran a continuación se encuentran en las baterías utilizadas en esta máquina: **Ion de litio, un material tóxico.**

### ▲ AVISO

Deseche todos los materiales tóxicos de una manera especificada para evitar la contaminación del medio ambiente. Antes de desechar una batería de ion de litio dañada o agotada, contacte con la agencia local de eliminación de residuos o con la agencia de protección ambiental local para obtener información e instrucciones específicas. Lleve las baterías a un centro de reciclaje o eliminación local, certificado para la eliminación de ion de litio.

### ▲ AVISO

Si la batería se agrieta o se rompe, con o sin fugas, no la recargue ni la utilice. Deséchela y sustitúyala por una batería nueva. ¡NO INTENTE REPARARLA! Para evitar lesiones y riesgos de incendio, explosión o descarga eléctrica, y para evitar daños al medio ambiente:

- Cubra los terminales de la batería con cinta adhesiva resistente.
- NO intente retirar o destruir ninguno de los componentes de la batería.
- NO intente abrir la batería.
- Si se produce una fuga, los electrolitos liberados son corrosivos y tóxicos. NO deje que la solución entre en contacto con los ojos o la piel, y no la ingiera.
- NO deseche estas baterías con la basura doméstica normal.
- NO incínera.
- NO lleve las baterías a lugares donde formarán parte de vertederos de residuos o flujos de residuos sólidos urbanos.
- Lívelas a un centro de reciclaje o eliminación certificado.

## 7 INSTALACIÓN

### 7.1 DESEMBALAJE DE LA MÁQUINA

#### ▲ AVISO

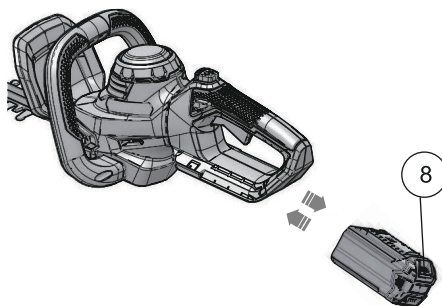
No es necesario montar la máquina.

#### ▲ AVISO

- Si las piezas presentan daños, no utilice la máquina.
- Si no tiene todas las piezas, no utilice la máquina.
- Si faltan piezas o hay piezas dañadas, hable con el centro de servicio.

1. Abra el embalaje.
2. Lea la documentación que se encuentra en la caja.
3. Retire la máquina de la caja.
4. Deseche la caja y el embalaje de conformidad con los reglamentos locales.

#### 7.1.1 INSTALACIÓN DE LA BATERÍA



#### ▲ AVISO

- Si la batería o el cargador ha sufrido daños, sustituya la batería o el cargador.
- Detenga la máquina y espere hasta que el motor se pare antes de instalar o retirar la batería.
- Debe leer, conocer y seguir las instrucciones del manual de la batería y el cargador.

1. Alinee las nervaduras de elevación de la batería con las ranuras del compartimento de la batería.
2. Introduzca la batería en el compartimento de la batería hasta que encaje en su posición.
3. Cuando escuche un clic, la batería está instalada.

#### 7.1.2 RETIRADA DE LA BATERÍA

1. Pulse y mantenga pulsado el botón de desbloqueo de la batería.

2. Retire la batería de la máquina.

## 8 FUNCIONAMIENTO

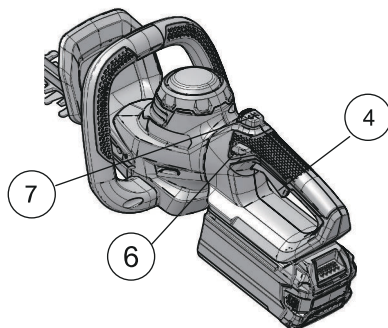
- No meta los dedos en las muescas o en posiciones donde puedan cortarse.
- No toque la cuchilla a menos que retire la batería.
- No utilice la máquina si alguna pieza ha sufrido daños o está doblada.
- Retire todos los objetos, como cordones, luces, cables o cuerdas que puedan enredarse en la cuchilla de corte y generar un riesgo de lesiones personales.

### ▲ AVISO

Si la cuchilla se atasca en un cable o línea eléctrica, ¡NO TOQUE LA CUCHILLA! PUEDE TENER CORRIENTE Y SER PELIGROSA. Realice estos pasos:

1. Sujete el asa posterior aislada o deje la máquina lejos de usted.
2. Desconecte el suministro eléctrico a la línea o cable dañado antes de intentar liberar la cuchilla.

### 8.1 PUESTA EN MARCHA DE LA MÁQUINA



1. Pulse el botón de bloqueo de seguridad.
2. Presione el gatillo mientras sujeta el botón de bloqueo de seguridad.
3. Suelte el botón de bloqueo de seguridad.

### ▲ AVISO

Sujete la máquina con las manos durante el funcionamiento.

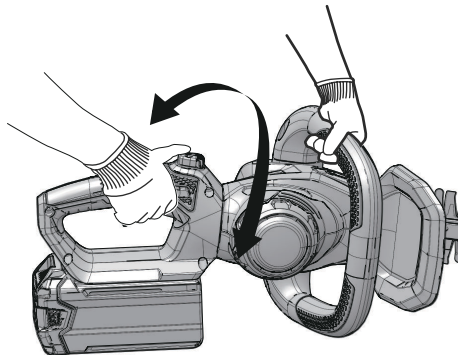
### i NOTA

Si la máquina se cae accidentalmente, se detendrá y la cuchilla se parará totalmente tras unos segundos. Posteriormente, la máquina se bloqueará.

### 8.2 DETENCIÓN DE LA MÁQUINA

1. Suelte el gatillo para detener la máquina.

### 8.3 GIRO DEL ASA POSTERIOR



Puede utilizar el botón de rotación para ajustar el asa posterior en 5 posiciones diferentes para cortar los setos más fácilmente.

1. Coloque la máquina sobre una superficie plana y lisa.
2. Tire del botón de rotación y gire el asa posterior.
3. Suelte el botón de rotación hasta que encaje en su posición.

## 9 MANTENIMIENTO

### ▲ PRECAUCIÓN

No permita que líquidos de frenos, gasolina y otros derivados del petróleo toquen las piezas de plástico. Las sustancias químicas pueden dañar el plástico y hacer que quede inservible.

### ▲ PRECAUCIÓN

No utilice disolventes o detergentes fuertes en la carcasa o los componentes de plástico.

### ▲ AVISO

Retire la batería de la máquina antes de realizar tareas de mantenimiento.

### 9.1 LIMPIEZA DE LA MÁQUINA

#### ▲ AVISO

Mantenga la máquina y el motor libres de hojas, ramas o exceso de aceite para evitar riesgos de incendio.

- Utilice un paño húmedo con un detergente suave para limpiar la máquina.
- Limpie toda la humedad con un paño suave y seco.
- Utilice un cepillo pequeño para limpiar los orificios de ventilación.



## 9.2 LUBRICACIÓN DE LA CUCHILLA

Para aumentar la eficiencia y la duración de las cuchillas, lubríquelas cuidadosamente tras cada sesión de trabajo:

- Coloque la máquina sobre una superficie plana y lisa.
- Utilice un paño suave para limpiar las cuchillas y un cepillo para eliminar más suciedad.
- Utilice una capa ligera de aceite para lubricar las cuchillas a lo largo del filo superior de la cuchilla.

### NOTA

Recomendamos utilizar aceite de tipo no contaminante.

## 10 ALMACENAMIENTO DE LA MÁQUINA

### NOTA

Limpie la máquina antes del almacenamiento.

1. Retire la batería.
2. Deje que el motor se enfríe.
3. Compruebe que no haya componentes sueltos o dañados. En caso necesario, sustituya los componentes dañados, apriete los tornillos y los pernos o consulte con una persona de un centro de servicio autorizado.
4. Almacene la máquina en un lugar fresco y seco.

## 11 SOLUCIÓN DE PROBLEMAS

| Problema   | Posible causa                       | Solución   |
|--|-------------------------------------|--|
| El motor no se pone en marcha cuando aprieta el gatillo. | La batería no se ha instalado bien. | Asegúrese de que ha instalado bien la batería en la máquina.   |
|  | La batería se ha agotado.           | Cargue la batería.   |
| La máquina echa humo durante el funcionamiento.          | La máquina ha sufrido daños.        | <ol style="list-style-type: none"> <li>1. Detenga la máquina inmediatamente.</li> <li>2. Retire la batería.</li> <li>3. Consulte con un centro de servicio.</li> </ol> |
| El motor está en marcha, las cuchillas no se mueven.     | La máquina ha sufrido daños.        | No utilice la máquina y consulte con un centro de servicio.  |
|  | Las cuchillas están bloqueadas.     | Retire la batería y posteriormente elimine la obstrucción de las cuchillas.  |

| Problema   | Posible causa                 | Solución  |
|--|-------------------------------|---|
| Hay demasiado ruido o vibración durante el funcionamiento. | Las piezas están sueltas.     | <ol style="list-style-type: none"> <li>1. Detenga la máquina.</li> <li>2. Retire la batería.</li> <li>3. Inspeccione si hay daños.</li> <li>4. Compruebe y apriete las piezas sueltas.</li> </ol> |
|  | Las piezas han sufrido daños. | No utilice la máquina y consulte con un centro de servicio.   |

## 12 DATOS TÉCNICOS

|                         |                           |
|-------------------------|---------------------------|
| Tensión                 | 40V                       |
| Velocidad sin carga     | 3000(±10%) SPM            |
| Longitud de la cuchilla | 24" (610 mm) mm           |
| Capacidad de corte      | 3/4"                      |
| Peso (sin batería)      | 2.6 kg                    |
| Modelo de la batería    | BAF722 y otras series BAF |
| Modelo de cargador      | 29482 y otras series CAF  |

## 13 GARANTÍA LIMITADA



Greenworks Por la presente, se garantiza este producto al comprador original en posesión de la prueba de compra por un periodo de tres (3) años contra defectos de material, piezas o mano de obra. Greenworks, a su propia discreción, reparará o reemplazará todas y cada una de las piezas que se encuentren defectuosas, en base a un uso normal, sin costo alguno para el cliente. Esta garantía es válida para aparatos de los que se ha realizado un uso personal y no han sido alquilados para aplicaciones comerciales/industriales, y que han sido sometidos a un mantenimiento tal y como se indica en las instrucciones del manual del usuario suministrado con el producto nuevo.

### LO QUE NO CUBRE LA GARANTÍA:

1. Cualquier pieza que no funcione debido al uso incorrecto, uso comercial, abusivo, negligencia, accidente, mantenimiento inadecuado, o alteración; o

2. La unidad, si no ha sido utilizada y/o mantenida siguiendo el manual del propietario; o
3. El desgaste normal, excepto según se indica a continuación.
4. Piezas que requieren un mantenimiento rutinario como lubricantes, afilar la cuchilla;
5. El deterioro normal del acabado exterior debido al uso o exposición.

## ASISTENCIA AL USUARIO:

El servicio de garantía está disponible llamando a nuestra línea de asistencia gratuita al 1-888-909-6757.

## GASTOS DE TRANSPORTE:

Los gastos de transporte del traslado de cualquier herramienta eléctrica o accesorio será responsabilidad del comprador. Es responsabilidad del comprador pagar los gastos de transporte de cualquier pieza enviada para su reemplazo bajo esta garantía, salvo que dicha devolución sea solicitada por escrito por Greenworks.

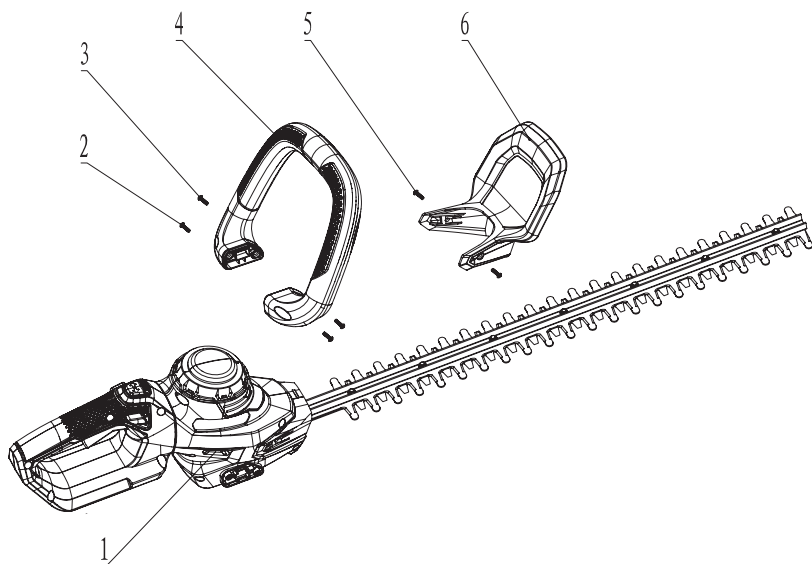
## DIRECCIÓN EN EE.UU. :

Greenworks Tools

P.O. Box 1238

Mooresville, NC 28115

## 14 VISTA EN DESPIECE



| <b>N.º</b> | <b>N.º de pieza</b> | <b>Cdad.</b> | <b>Descripción</b>                 |
|------------|---------------------|--------------|------------------------------------|
| 1          | 310023801           | 1            | Conjunto de la máquina descubierta |
| 2          | 32204113D           | 2            | Tornillo                           |
| 3          | 32201815            | 2            | Tornillo                           |
| 4          | 341102232           | 1            | Conjunto del mango auxiliar        |
| 5          | 322031425           | 2            | Tornillo                           |
| 6          | 341062221           | 1            | Protección                         |

