

# greenworks

EN VACUUM CLEANER

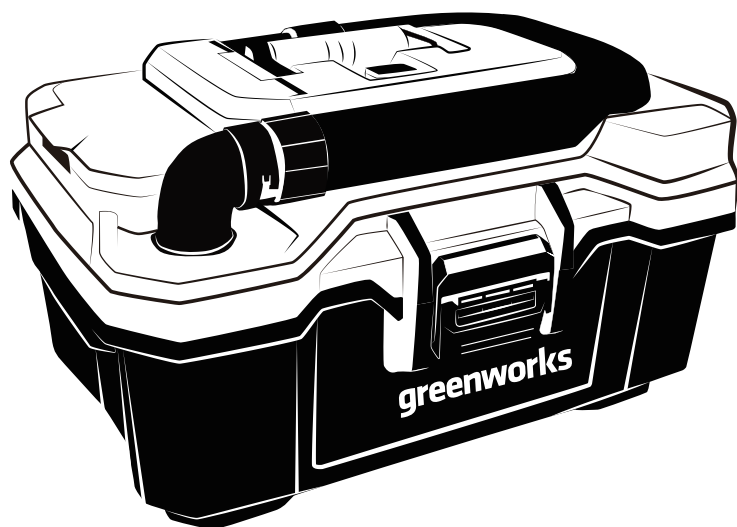
OPERATOR MANUAL

FR ASPIRATEUR

MANUEL OPÉRATEUR

ES ASPIRADOR

MANUAL DEL OPERARIO



**VUF301**

[www.greenworkstools.com](http://www.greenworkstools.com)



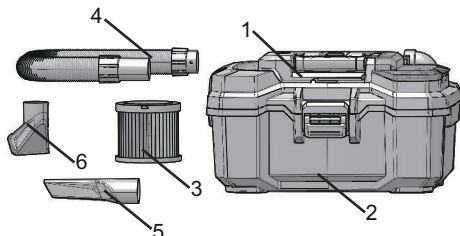
<b>1</b>	<b>Description.....</b>	<b>4</b>	8.3	Remove the filter.....	7
1.1	Purpose.....	4	8.4	Insert the hose.....	7
1.2	Overview.....	4	8.5	Install the battery pack.....	8
<b>2</b>	<b>General power tool safety</b>		8.6	Remove the battery pack.....	8
	<b>warnings.....</b>	<b>4</b>	<b>9</b>	<b>Operation.....</b>	<b>8</b>
2.1	Important safety instructions.....	4	9.1	Start the machine.....	8
2.2	Battery-operated power tools.....	5	9.2	Stop the machine.....	8
<b>3</b>	<b>Child safety.....</b>	<b>5</b>	9.3	Blowing feature.....	9
<b>4</b>	<b>Symbols on the product.....</b>	<b>5</b>	9.4	Operation tips.....	9
<b>5</b>	<b>Risk levels.....</b>	<b>6</b>	<b>10</b>	<b>Maintenance.....</b>	<b>9</b>
<b>6</b>	<b>Environmentally safe battery</b>		10.1	Clean the filter.....	9
	<b>disposal.....</b>	<b>6</b>	10.2	Clean the machine.....	9
<b>7</b>	<b>Save these instructions.....</b>	<b>6</b>	<b>11</b>	<b>Store the machine.....</b>	<b>10</b>
<b>8</b>	<b>Installation.....</b>	<b>6</b>	<b>12</b>	<b>Troubleshooting.....</b>	<b>10</b>
8.1	Unpack the machine.....	6	<b>13</b>	<b>Technical data.....</b>	<b>10</b>
8.2	Install the filter.....	7	<b>14</b>	<b>Limited warranty.....</b>	<b>10</b>
			<b>15</b>	<b>Exploded view.....</b>	<b>11</b>

## 1 DESCRIPTION

### 1.1 PURPOSE

This machine is intended for vacuuming dust in domestic use.

### 1.2 OVERVIEW



- 1 Top Cover Assembly
- 2 Collection Tank
- 3 Filter
- 4 Hose
- 5 Crevice Tool
- 6 Utility Nozzle

## 2 GENERAL POWER TOOL SAFETY WARNINGS

### ▲ WARNING

**Read all safety warnings and all instructions.** Failure to follow the warnings and instructions may result in electric shock, fire and/or serious injury.

Save all warnings and instructions for future reference.

The term "power tool" in the warnings refers to your battery-operated (cordless) power tool.

### 2.1 IMPORTANT SAFETY INSTRUCTIONS

For household use.

**READ ALL INSTRUCTIONS BEFORE USING (THIS POWER TOOL)**

### ▲ WARNING

**Read and understand all instructions before using this product.** Failure to follow all instructions listed below may result in electric shock, fire, and/or serious personal injury. When using an electrical appliance, basic precautions should always be followed, including the following:

The term "power tool" in all of the warnings listed below refers to your mains-operated (corded) power tool or battery-operated (cordless) power tool.

- Do not charge the appliance outdoors.

- Do not allow power tools to be used as a toy. Paying close attention is necessary when used by or near children.
- Use only as described in this manual. Use only manufacturer's recommended attachments.
- If tool is not working as it should, has been dropped, damaged, left outdoors, or dropped into water, return it to a service center.
- Do not handle the battery or the tool with wet hands.
- Do not put any object into openings. Do not use with any opening blocked; keep free of dust, lint, hair, and anything that may reduce air flow.
- Keep hair, loose clothing, fingers and all body parts away from openings and moving parts.
- Use extra care when cleaning on stairs.
- Do not operate the tool in an explosive atmosphere, such as in the presence of flammable liquids, gases, or dust. Tools create sparks that may ignite the dust or fumes.
- Store indoors. Do not expose to rain or water. Avoid direct sunshine.
- Never allow children to operate the tool. Adults should not operate the power tool without proper instruction.
- Wear heavy long pants, boots, and gloves. Avoid loose garments or jewellery that could get caught in moving parts of the machine or its motor.
- Do not force tool. Use the correct tool for your application. The correct tool will do the job better and safer at the rate for which it is designed.
- Keep firm footing and balance. Do not overreach. Overreaching can result in loss of balance.
- Do not use the tool if the switch does not turn it on or off. Any tool that cannot be controlled with the switch is dangerous, and must be repaired.
- Do not operate this tool when you are tired, ill, or under the influence of alcohol, drugs, or medication.
- Do not operate in poor lighting. Do not use to pick up flammable or combustible liquids, such as gasoline, or use in areas where they may be present.
- Do not pick up anything that is burning or smoking, such as cigarettes, matches, or hot ashes.
- Do not use without collection tank, filter or tube in place (if applicable).
- Do not use with damaged cord or plug. If tool is not working as it should, has been dropped, damaged, left outdoors, or dropped into water, return it to a service center.
- Do not pull or carry by cord, use cord as a handle, close a door on cord, or pull cord around sharp edges or corners. Do not run tool over cord. Keep cord away from heated surfaces.
- Turn off all controls before removing the battery pack.
- Do not handle plug or tool with wet hands.
- Do not use without dust bag and/or filters in place.
- Disconnect the battery pack/power source from the tool before making any adjustments, changing accessories, or

storing tool. Such preventive safety measures reduce the risk of starting the tool accidentally.

- Always turn off this tool before connecting or disconnecting either hose.
- This tool is provided with double insulation. Use only identical replacement parts. See instructions for Servicing of Double-Insulated tools.
- To reduce the risk of fire or electric shock, use tool only with Greenworks identical parts and supply cords. If cord is damaged or lost, replace with identical replacement part.
- Follow all charging instructions and do not charge the battery pack or tool outside of the temperature range specific in the instructions. Charging improperly or at temperatures outside of the specific range may damage the battery and increase the risk of fire.
- Do not modify or attempt to repair the tool or the battery pack (as applicable) except as indicated in the instructions for use and care.
- Do not put any object into the openings when you use the machine as a blower. Do not use with any opening blocked. Keep free of dust, lint, hair, and anything that may reduce air flow.

## 2.2 BATTERY-OPERATED POWER TOOLS

- Do not use battery-operated appliance in rain.
- Turn off all controls before removing the battery.
- Recharge only with the charger specified by the manufacturer. A charger that is suitable for one type of battery pack may create a risk of fire when used with another battery pack.
- Use only the charger supplied by the manufacturer to recharge.
- Use appliances only with specifically designated battery packs. Use of any other battery packs may create a risk of injury and fire.
- Prevent unintentional starting. Ensure the switch is in the off-position before connecting to battery pack, picking up or carrying the appliance. Carry the power tool with your finger on the switch or energize power tool that have the switch on invites accidents.
- Disconnect the battery pack from the power tool before making any adjustments, changing accessories, or storing the power tool. Such preventive safety measures reduce the risk of starting the power tool accidentally.
- When battery pack is not in use, keep it away from other metal objects like paper clips, coins, keys, nails, screws or other small metal objects that can make a connection from one terminal to another. Shorting the battery terminals together may cause burns or a fire.
- Under abusive conditions, liquid may be ejected from the battery; avoid contact. If contact accidentally occurs, flush with water. If liquid contacts eyes, additionally seek medical help. Liquid ejected from the battery may cause irritation or burns.

- Do not incinerate the appliance even if it is severely damaged. The batteries can explode in a fire.
- Do not use a battery pack or appliance that is damaged or modified. Damaged or modified batteries may exhibit unpredictable behavior resulting in fire, explosion or risk of injury.
- Do not expose a battery pack or appliance to fire or excessive temperature. Exposure to fire or temperature above 265°F (130°C) may cause an explosion.
- Have servicing performed by a qualified repair person using only identical replacement parts. This will ensure that the safety of the product is maintained.
- Don't modify or attempt to repair the appliance or the battery pack (as applicable) except as indicated in the instructions for use and care.
- Follow all charging instructions and do not charge the battery pack or appliance outside of the temperature range specified in the instructions. Charging improperly or at temperatures outside of the specified range may damage the battery and increase the risk of fire.

## 3 CHILD SAFETY






Tragic accidents can occur if the operator is not aware of the presence of children.

- Keep children out of the working area and under the watchful care of a responsible adult.
- Do not allow children under the age of 14 to operate this machine. Children who are 14 years of age and older must read and understand the operating instructions and safety rules in this manual and must be trained and supervised by a parent.
- Stay alert, and turn the machine off if a child or any other person enters the working area.
- Use extreme care when approaching blind corners, doorways, shrubs, trees, or other objects that may obscure your view of a child who may run into the path of the machine.

## 4 SYMBOLS ON THE PRODUCT




Some of the following symbols may be used on this product. Please study them and learn their meaning. Proper interpretation of these symbols will allow you to operate the product better and safer.

Symbol	Explanation
V	Voltage
A	Current
Hz	Frequency (cycles per second)
W	Power
min	Time
≡	Type or a characteristic of current

Symbol	Explanation
	Precautions that involve your safety.
	Read and understand all instructions before operating the product, and follow all warnings and safety instructions.
	Wear eye and ear protection.
	Thrown objects can ricochet and result in personal injury or property damage. Wear protective clothing and boots.
	Keep all bystanders at least 15m away.

### 5 RISK LEVELS

The following signal words and meanings are intended to explain the levels of risk associated with this product.

SYMBOL	SIGNAL	MEANING
	DANGER	Indicates an imminently hazardous situation, which, if not avoided, will result in death or serious injury.
	WARNING	Indicates a potentially hazardous situation, which, if not avoided, could result in death or serious injury.
	CAUTION	Indicates a potentially hazardous situation, which, if not avoided, may result in minor or moderate injury.
	CAUTION	(Without Safety Alert Symbol) Indicates a situation that may result in property damage.

### 6 ENVIRONMENTALLY SAFE BATTERY DISPOSAL



The toxic and corrosive materials below are in the batteries used in this machine: **Lithium-Ion, a toxic material.**

**▲ WARNING**

Discard all toxic materials in a specified manner to prevent contamination of the environment. Before discarding damaged or worn out Li-ion battery, contact your local waste disposal agency, or the local Environmental Protection Agency for information and specific instructions. Take the batteries to a local recycling and/or disposal center, certified for lithium-ion disposal.

**▲ WARNING**

If the battery pack cracks or breaks, with or without leaks, do not recharge it and do not use. Discard it and replace with a new battery pack. **DO NOT TRY TO REPAIR IT!** To prevent injury and risk of fire, explosion, or electric shock, and to avoid damage to the environment:

- Cover the terminals of the battery with heavy-duty adhesive tape.
- DO NOT try to remove or destroy any of the battery pack components.
- DO NOT try to open the battery pack.
- If a leak develops, the released electrolytes are corrosive and toxic. DO NOT get the solution in the eyes or on skin, and do not swallow it.
- DO NOT put these batteries in your regular household trash.
- DO NOT incinerate.
- DO NOT put them where they will become part of any waste landfill or municipal solid waste stream.
- Take them to a certified recycling or disposal center.

## 7 SAVE THESE INSTRUCTIONS

## 8 INSTALLATION

- Replace the battery pack or the charger immediately if the battery pack or charger cord is damaged.
- Exam that the machine is in the OFF status before you install or remove the battery pack.

### 8.1 UNPACK THE MACHINE

**▲ WARNING**

Make sure that you correctly assemble the machine before use.

**▲ WARNING**

- If parts of the machine are damaged, do not use the machine.
- If you do not have all the parts, do not operate the machine.
- If parts are damaged or missing, contact the service center.

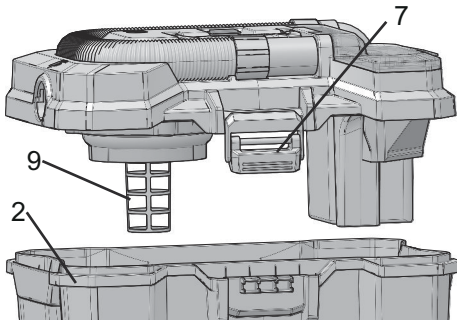
1. Open the package.
2. Read the documentation provided in the box.
3. Remove all the unassembled parts from the box.
4. Remove the machine from the box.
5. Discard the box and packing material in compliance with local regulations.

## 8.2 INSTALL THE FILTER

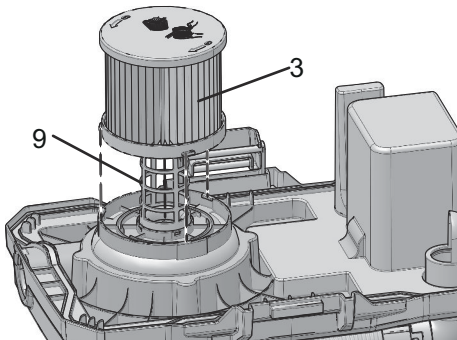
### ▲ WARNING

To prevent accidental starting that could cause serious personal injury, always remove the battery pack from the tool when assembling parts.

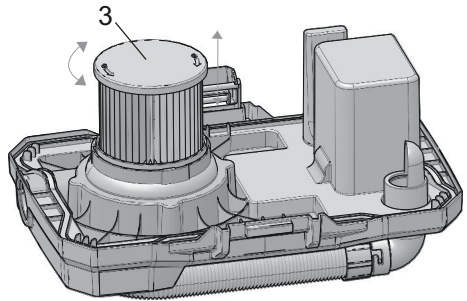
1. Lift the latch (7) on both sides of the top cover assembly.



2. Align the filter (3) with the filter cage (9).



3. Slide the filter (3) on the filter cage (9).

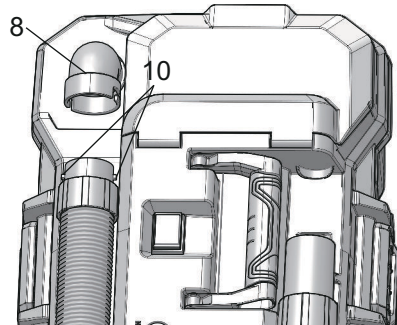


4. Slide and twist the filter (3) into place.

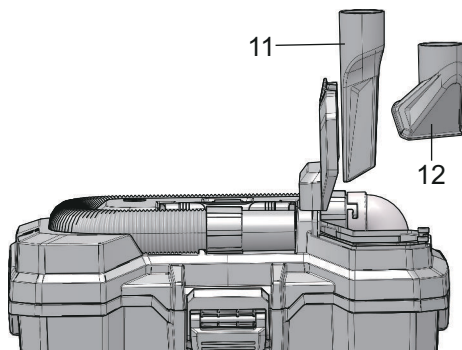
## 8.3 REMOVE THE FILTER

1. Lift the latch (7) on both sides of the top cover assembly.
2. Remove the collection tank (2).
3. Turn the filter (3) counterclockwise.
4. Slide the filter off.

## 8.4 INSERT THE HOSE



1. Align either of the grooves (10) in the tube with the tabs on the hose.
2. Insert the locking end of the hose into the vacuum port (8) and turn clockwise to lock into place.

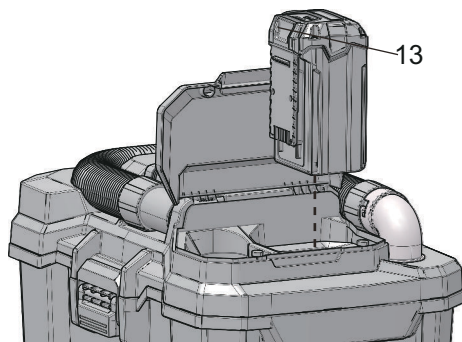


3. Insert your desired accessory (11/12) onto the end of the hose securely.

### **i** NOTE

To remove the hose, turn the locking end of the hose counter-clockwise.

## 8.5 INSTALL THE BATTERY PACK



### **▲** WARNING

- If the battery pack or charger is damaged, replace the battery pack or the charger.
- Stop the machine and wait until the engine stops before you install or remove the battery pack.
- Read, know, and do the instructions in the battery and charger manual.

1. Open the battery door.
2. Align the lift ribs on the battery pack with the grooves in the battery compartment.
3. Push the battery pack into the battery compartment until the battery pack locks into place.
4. When you hear a click, the battery pack is installed.
5. Close the battery door.

## 8.6 REMOVE THE BATTERY PACK

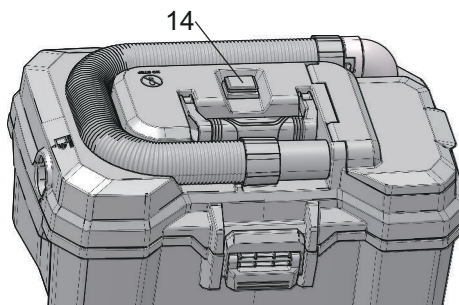
1. Open the battery door.
2. Push and hold the battery release button (13).
3. Remove the battery pack from the machine.

## 9 OPERATION

### **▲** WARNING

Do not handle battery pack, switch, or machine with wet hands. Do not expose to rain or allow liquid to enter the motor compartment.

### 9.1 START THE MACHINE



1. Push the on/off button (14) to turn the machine on.

### **▲** WARNING

Hold the machine with hands during operation.

### **i** NOTE

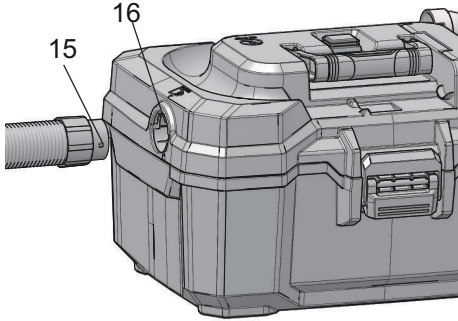
If you want to start the machine again please wait until the machine completely stops.

### 9.2 STOP THE MACHINE

1. Set the on/off button to the off position.



### 9.3 BLOWING FEATURE



The wet/dry vac can blow sawdust and other debris. Complete the steps below to use your machine as a blower.

1. Align either of the grooves (16) in the tube with the tabs (15) on the hose.
2. Attach the desired accessory to the end of hose.
3. Start the machine.

### 9.4 OPERATION TIPS

- The filter must always be in correct position to avoid leaks and possible damage to the machine.
- When you use your machine, it will be necessary for you to empty the collection tank and clean the filter at more frequent intervals to maintain peak vac performance.
- When the liquid in the collection tank reaches a predetermined level, the float mechanism will rise automatically to cut off air-flow. This will cause the suction stop and the higher motor noise. When this happens:
  1. Turn off the machine.
  2. Remove the battery pack.
  3. Empty the collection tank.
- Dry the filter after you use the machine to avoid mildew and damage to the machine.

## 10 MAINTENANCE

### ▲ CAUTION

Do not let brake fluids, gasoline, petroleum-based materials touch the plastic parts. Chemicals can cause damage to the plastic, and make the plastic unserviceable.

### ▲ CAUTION

Do not use strong solvents or detergents on the plastic housing or components.

### ▲ WARNING

Remove the battery pack from the machine before maintenance.

### 10.1 CLEAN THE FILTER

#### i NOTE

Allow the filter to dry before you store or picking up debris.

Often clean your filter to maintain peak vac performance.

Clean a dry filter:

- Cleaning should be done outdoors and not in the living quarters.
- You can use a small brush to clean the dust and debris.
- For thorough cleaning of dry filter with fine dust (no debris), run water through it as described under "Cleaning A Wet Filter"

Clean a wet filter:

1. Remove the filter from the machine.
2. Run water through the filter from a hose or spigot.

#### i NOTE

Check the cartridge filter for tears or small holes after cleaning. Do not use a cartridge filter with holes or tears in it. Even a small hole can allow dust to come out of your machine. Replace it immediately.

### 10.2 CLEAN THE MACHINE

To keep your machine looking its best, clean the outside with a cloth dampened with warm water and mild soap.

To clean the collection tank:

- Dump debris out.
- Wash collection tank with warm water and mild soap.
- You can use a small brush to clean the dust and debris.
- Wipe out with dry cloth.

To disinfect the collection tank:

1. Pour 1 gallon of water and 1 teaspoon chlorine bleach into the collection tank.
2. Let solution stand for 20 minutes, carefully swishing every few minutes, making sure to wet all inside surfaces of the collection tank.
3. Empty collection tank after 20 minutes. Rinse with water until bleach smell is gone. Allow collection tank to dry completely before sealing the motor on the collection tank.

#### i NOTE

Disinfect the collection tank before storage or as needed.

## 11 STORE THE MACHINE

### **i** NOTE

Clean the machine before storage.

1. Remove the battery pack.
2. Let the motor cool.
3. Check that there are no loose or damaged components. If it is necessary, replace the damaged components, tighten screws and bolts, or speak to a person of an approved service center.
4. Store the machine in a cool and dry location.

## 12 TROUBLESHOOTING

Problem	Possible cause	Solution
The machine doesn't work.	The switch or motor is defective.	Speak to service center.
Dust discharges from exhaust.	The filter has damage.	Replace the filter.
	The filter isn't installed.	Properly reinstall the filter.
	The filter is not functional.	Clean or replace the filter.
	The filter clogs.	Clean or replace the filter.
Loss of suction	The hose connection loose.	Tighten the hose connection.
	The filter clogs.	Clean or replace the filter.
	The collection tank is full.	Empty the collection tank.
	The hose has damage.	Replace the hose.
Static shock	The environment is dry.	Add moisture to air (if practical, use a humidifier).

## 13 TECHNICAL DATA

Voltage	40 V
Tanksize	3 gallons
Air Volume	70 CFM
Max suction	10 kPa
Weight (without battery pack)	14.3 lbs. (6.5 kg)
Hose	7-ft extenable hose
Accessory	Crevice and utility tool

Battery model	BAF705 and other BAF series
Charge model	29482 and other CAF series

## 14 LIMITED WARRANTY



Greenworks hereby warrants this product, to the original purchaser with proof of purchase, for a period of three (3) years against defects in materials, parts or workmanship. Greenworks, at its own discretion, will repair or replace any and all parts found to be defective, through normal use, free of charge to the customer. This warranty is valid only for units which have been used for personal use that have not been purchased or rented for industrial/commercial use, and that have been maintained in accordance with the instructions in the owners' manual supplied with the product when new.

### ITEMS NOT COVERED BY WARRANTY:

1. Any part that has become inoperative due to misuse, commercial use, abuse, neglect, accident, improper maintenance, or alteration; or
2. The unit, if it has not been operated and/or maintained in accordance with the owner's manual; or
3. Normal wear;
4. Routine maintenance items such as lubricants, blade sharpening;
5. Normal deterioration of the exterior finish due to use or exposure.

### HELPLINE:

Warranty service is available by calling our toll-free helpline at 1-888-909-6757.

### TRANSPORTATION CHARGES:

Transportation charges for the movement of any power equipment unit or attachment are the responsibility of the purchaser. It is the purchaser's responsibility to pay transportation charges for any part submitted for replacement under this warranty unless such return is requested in writing by Greenworks.

#### USA address:

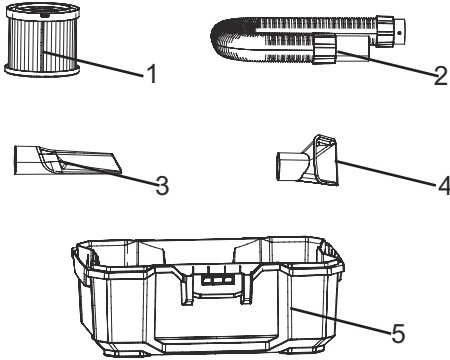
Greenworks Tools  
P.O. Box 1238

#### Canadian address:

Greenworks Tools Canada, Inc.  
P.O. Box 93095, Newmarket,  
Ontario

Mooresville, NC 28115 L3Y 8K3

## 15 EXPLODED VIEW



No.	Part No.	Description	Qty
1	R0400214-00	Filter	1
2	R0400215-00	Hose	1
3	R0400216-00	Crevice Tool	1
4	R0400217-00	Utility Nozzle	1
5	R0202464-00	Collection tank	1

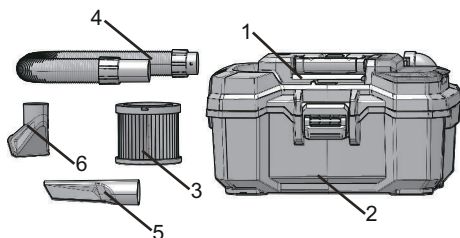
<b>1</b>	<b>Description.....</b>	<b>13</b>		8.3 Retirez le filtre.....	17
1.1	But.....	13	8.4	Insérez le tuyau.....	17
1.2	Aperçu.....	13	8.5	Installer le bloc-batterie.....	18
<b>2</b>	<b>Avertissements généraux de sécurité des outils électriques.....</b>	<b>13</b>	8.6	Retirer le bloc-batterie.....	18
2.1	Instructions importantes sur la sécurité.....	13	<b>9</b>	<b>Utilisation.....</b>	<b>18</b>
2.2	Outils fonctionnant sur batterie.....	14	9.1	Démarrer la machine.....	18
<b>3</b>	<b>Sécurité des enfants.....</b>	<b>15</b>	9.2	Arrêter la machine.....	18
<b>4</b>	<b>Symboles figurant sur la machine.....</b>	<b>15</b>	9.3	Caractéristique de soufflage.....	18
<b>5</b>	<b>Niveaux de risques.....</b>	<b>15</b>	9.4	Conseils sur l'utilisation.....	19
<b>6</b>	<b>Élimination des batteries sans danger pour l'environnement.....</b>	<b>15</b>	<b>10</b>	<b>Entretien.....</b>	<b>19</b>
<b>7</b>	<b>Conservez ces instructions.....</b>	<b>16</b>	10.1	Nettoyez le filtre.....	19
<b>8</b>	<b>Installation.....</b>	<b>16</b>	10.2	Nettoyez la machine.....	19
8.1	Déballer la machine.....	16	<b>11</b>	<b>Entreposez la machine.....</b>	<b>19</b>
8.2	Installez le filtre.....	16	<b>12</b>	<b>Dépannage.....</b>	<b>20</b>
			<b>13</b>	<b>Données techniques.....</b>	<b>20</b>
			<b>14</b>	<b>Garantie limitée.....</b>	<b>20</b>
			<b>15</b>	<b>Vue éclatée.....</b>	<b>21</b>

## 1 DESCRIPTION

### 1.1 BUT

Cette machine est conçue pour aspirer la poussière dans le cadre d'un usage domestique.

### 1.2 APERÇU



- 1 Ensemble du couvercle supérieur
- 2 Réservoir de collecte
- 3 Filtre
- 4 Tuyau
- 5 Suceur plat
- 6 Buse utilitaire

## 2 AVERTISSEMENTS GÉNÉRAUX DE SÉCURITÉ DES OUTILS ÉLECTRIQUES

### ▲ AVERTISSEMENT

**Lisez tous les avertissements de sécurité et toutes les instructions.** Le non-respect de ces avertissements et de ces instructions peut entraîner un choc électrique, un incendie et/ou des blessures graves.

Conservez tous les avertissements et instructions pour référence ultérieure.

Le terme « outil électrique » dans les avertissements fait référence à votre outil électrique (sans fil) fonctionnant sur batterie.

### 2.1 INSTRUCTIONS IMPORTANTES SUR LA SÉCURITÉ

Pour un usage ménager.

**LISEZ TOUTES LES INSTRUCTIONS AVANT L'UTILISATION (CET OUTIL ÉLECTRIQUE)**

### ▲ AVERTISSEMENT

**Lisez et comprenez toutes les instructions avant d'utiliser ce produit.** Le non-respect de ces avertissements et de ces instructions peut entraîner un choc électrique, un incendie et/ou des blessures graves. Quand vous utilisez un appareil électrique, vous devez toujours prendre les précautions de base suivantes :

Le terme « outil électrique » dans tous les avertissements ci-dessous se réfère à votre outil électrique alimenté (avec fil) ou à votre outil électrique (sans fil) fonctionnant sur batterie.

- Ne chargez pas l'appareil à l'extérieur.
- N'utilisez jamais les outils électriques comme un jouet. Soyez particulièrement vigilant lorsqu'il doit être utilisé par des enfants ou à proximité de ceux-ci.
- Utilisez uniquement comme de la façon décrite dans ce manuel. Utilisez uniquement les accessoires recommandés par le fabricant.
- Si l'appareil ne fonctionne pas comme prévu, s'il est tombé, s'il a été endommagé, laissé à l'extérieur ou s'il est tombé dans l'eau, retournez-le à un centre de service.
- Ne manipulez pas la batterie ou l'appareil avec les mains mouillées.
- N'introduisez aucun objet dans les ouvertures. Veillez à ce qu'aucun objet ne se trouve dans l'orifice lors de l'utilisation de l'appareil; maintenir l'orifice dégagé de toutes poussières, fibre, cheveux, ou de tout ce qui pourrait réduire la circulation de l'air.
- Gardez les cheveux, les vêtements amples, les doigts et toutes les parties du corps loin des ouvertures et des pièces mobiles.
- Soyez particulièrement prudent lorsque vous nettoyez les escaliers.
- N'utilisez pas l'outil dans un environnement explosif, par exemple en présence de liquides, gaz ou poussières inflammables. La mise en marche des outils crée des étincelles qui peuvent enflammer la poussière ou les vapeurs.
- Entrez l'outil à l'intérieur. Ne l'exposer à la pluie ou à l'eau. Évitez l'exposition directe au soleil.
- Ne laissez jamais les enfants utiliser l'appareil. Les adultes ne doivent pas utiliser l'outil électrique sans avoir reçu des instructions appropriées.
- Portez des pantalons longs, des souliers de travail et des gants épais. Évitez de porter des vêtements amples ou des bijoux qui pourraient se coincer dans les pièces mobiles.
- Ne forcez pas sur l'outil. Utilisez l'outil adapté à votre application. L'outil approprié fera mieux le travail et sera plus sécuritaire au rythme pour lequel il a été conçu.
- Tenez-vous bien campé et en équilibre. Ne vous penchez pas trop en avant. Si vous vous penchez trop en avant, vous pouvez perdre l'équilibre.
- N'utilisez pas l'outil si l'interrupteur ne le met pas en marche ou à l'arrêt. Tout outil qui ne peut pas être contrôlé avec l'interrupteur est dangereux et doit être réparé.

- N'utilisez pas cet outil si vous êtes fatigué, malade ou sous l'influence de l'alcool, de drogues ou de médicaments.
- N'utilisez pas la machine lorsque l'éclairage est insuffisant. N'utilisez pas cette machine pour ramasser des liquides inflammables ou combustibles, comme de l'essence, ni dans les endroits où ils peuvent être présents.
- Ne ramassez rien qui brûle ou qui fume, comme des cigarettes, des allumettes ou des cendres chaudes.
- N'utilisez pas l'appareil sans le réservoir de collecte, le filtre ou le tube en place (le cas échéant).
- N'utilisez pas avec un cordon ou une fiche endommagé. Si l'appareil ne fonctionne pas comme prévu, s'il est tombé, s'il a été endommagé, laissé à l'extérieur ou s'il est tombé dans l'eau, retournez-le à un centre de service.
- Ne tirez pas ou ne portez pas par le cordon, n'utilisez pas le cordon comme poignée, ne fermez pas une porte sur le cordon ou ne tirez pas le cordon autour des bords ou des coins tranchants. Ne faites pas passer l'appareil sur le cordon d'alimentation. Éloignez le cordon des surfaces chauffées.
- Désactivez toutes les commandes avant de retirer le bloc-batterie.
- Ne manipulez pas la fiche ou l'outil avec les mains mouillées.
- N'utilisez pas l'appareil sans le sac à poussière ou les filtres installés.
- Débranchez la batterie ou la source d'alimentation de l'outil avant d'effectuer des réglages, de changer d'accessoire ou de ranger l'outil. De telles mesures de sécurité préventives réduisent le risque d'un démarrage accidentel de l'outil électrique.
- Éteignez toujours l'appareil avant de retirer ou d'insérer le tuyau.
- Cet outil est muni d'une double isolation. N'utilisez que des pièces de rechange identiques. Consultez les instructions concernant l'entretien des outils à double isolation.
- Pour réduire le risque d'incendie ou de décharge électrique, n'utilisez l'outil qu'avec des pièces Greenworks et des cordons d'alimentation identiques. Si le cordon est endommagé ou perdu, remplacez-le par une pièce de rechange identique.
- Suivez toutes les instructions de recharge et ne rechargez pas la batterie ou l'outil en dehors de la plage de température spécifiée dans ces instructions. Un rechargement incorrect ou à des températures en dehors de la plage spécifiée peut endommager la batterie et augmenter le risque d'incendie.
- Ne modifiez pas ou n'essayez pas de réparer l'appareil ou le bloc-batterie (selon le cas) sauf en conformité avec les instructions d'utilisation et d'entretien indiquées dans ce manuel.
- Ne placez aucun objet dans les ouvertures lorsque vous utilisez la machine comme souffleuse. Ne pas utiliser avec une ouverture bouchée. Gardez à l'écart de la poussière, des peluches, des cheveux et de tout ce qui peut réduire la circulation de l'air.

## 2.2 OUTILS FONCTIONNANT SUR BATTERIE

- N'utilisez pas cet appareil fonctionnant sur batterie sous la pluie.
- Désactivez toutes les commandes avant de retirer la batterie.
- Rechargez uniquement avec le chargeur spécifié par le fabricant. Un chargeur adapté à un type de bloc-batterie peut créer un risque d'incendie lorsqu'il est utilisé avec un autre bloc-batterie.
- Utilisez uniquement le chargeur fourni par le fabricant pour recharger.
- Utilisez les appareils uniquement avec des bloc-batteries spécialement conçus à cet effet. L'utilisation de tous autres bloc-batteries peut créer un risque de blessure et d'incendie.
- Évitez tout démarrage accidentel. Assurez-vous que l'interrupteur est en position d'arrêt avant de brancher la batterie, de soulever ou de transporter l'appareil. Portez un outil électrique avec le doigt sur l'interrupteur ou brancher un outil dont l'interrupteur est en position de marche peut causer un accident.
- Retirez le bloc-batterie de l'outil électrique avant d'effectuer des réglages, de changer des accessoires ou de ranger l'outil électrique. De telles mesures de sécurité préventives réduisent le risque d'un démarrage accidentel de l'outil électrique.
- Lorsque le bloc-batterie n'est pas utilisé, éloignez-le des autres objets métalliques tels qu'attaches trombones, pièces de monnaie, clés, clous, vis ou autres petits objets métalliques qui peuvent établir une connexion d'une borne à une autre. Le court-circuitage des bornes de la batterie peut provoquer des brûlures ou un incendie.
- Dans des conditions abusives, du liquide peut être éjecté de la batterie; évitez tout contact. En cas de contact accidentel, rincez avec de l'eau. En cas de contact avec les yeux, consultez également un médecin. Le liquide s'échappant des batteries peut causer des irritations ou des brûlures.
- N'incinerez pas l'appareil même s'il est extrêmement endommagé. Les batteries peuvent exploser dans le feu.
- N'utilisez pas un bloc-batterie ou un appareil endommagé ou modifié. Les batteries endommagées ou modifiées peuvent présenter un fonctionnement imprévisible et provoquer un incendie, une explosion ou un risque de blessure.
- N'exposez pas un bloc-batterie ou un appareil à un feu ou à une température excessive. L'exposition au feu ou une température supérieure à 130°C (265°F) peut provoquer une explosion.
- Faites effectuer l'entretien par un réparateur qualifié en n'utilisant que des pièces de rechange identiques. Cela garantira le maintien de la sécurité du produit.
- Ne modifiez pas ou n'essayez pas de réparer l'appareil ou la batterie (selon le cas) sauf en conformité avec les instructions d'utilisation et d'entretien indiquées dans ce manuel.

- Suivez toutes les instructions de recharge et ne rechargez pas le bloc-batterie ou l'appareil en dehors de la plage de température spécifiée dans ces instructions. Un rechargement incorrect ou à des températures en dehors de la plage spécifiée peut endommager la batterie et augmenter le risque d'incendie.





### 3 SÉCURITÉ DES ENFANTS


Des accidents tragiques peuvent se produire si l'opérateur n'est pas au courant de la présence des enfants.

- Éloignez les enfants de la zone de travail et placez-les sous la surveillance d'un adulte responsable.
- Ne laissez pas un enfant de moins de 14 ans utiliser cette machine. Les enfants de 14 ans et plus doivent lire et comprendre les instructions d'utilisation et les règles de sécurité contenues dans ce manuel et doivent être formés et supervisés par un parent.
- Restez vigilant et éteignez la machine si un enfant ou une autre personne entre dans la zone de travail.
- Soyez extrêmement prudent lorsque vous vous approchez d'un angle mort, d'une porte, d'un arbuste, d'un arbre ou de tout autre objet qui pourrait masquer la vue d'un enfant qui pourrait se heurter à la machine.

### 4 SYMBOLES FIGURANT SUR LA MACHINE



Certains des symboles suivants peuvent être utilisés sur ce produit. Veuillez les étudier et apprendre leur signification. Une bonne interprétation de ces symboles vous permettra de mieux utiliser le produit et de manière plus sécuritaire.

Symbole	Explication
V	Voltage
A	Courant
Hz	Fréquence (cycles par seconde)
W	Puissance
min	Heure
---	Type ou caractéristique du courant
	Précautions destinées à assurer la sécurité.
	Lisez et comprenez toutes les instructions avant d'utiliser cette machine, et suivez tous les avertissements et les consignes de sécurité.
	Portez des lunettes enveloppantes et un casque anti-bruit.
	Les objets projetés peuvent ricocher et causer des blessures corporelles ou des dommages matériels. Portez des vêtements et des bottes de protection.

Symbole	Explication
	Tenez tous les curieux à une distance d'au moins 15 m.

### 5 NIVEAUX DE RISQUES

Les termes de mise en garde suivants et leur signification ont pour but d'expliquer les niveaux de risques associés à l'utilisation de ce produit.

SYMBOLE	SIGNAL	SIGNIFICATION
	DANGER	Indique une situation dangereuse imminente qui, si elle n'est pas évitée, peut entraîner la mort ou des blessures graves.
	AVERTISSEMENT	Indique une situation potentiellement dangereuse qui, si elle n'est pas évitée, peut entraîner la mort ou des blessures graves.
	MISE EN GARDE	Indique une situation potentiellement dangereuse qui, si elle n'est pas évitée, pourrait causer des blessures mineures ou modérées.
	MISE EN GARDE	(Sans symbole d'alerte de sécurité) indique une situation pouvant entraîner des dommages matériels.

### 6 ÉLIMINATION DES BATTERIES SANS DANGER POUR L'ENVIRONNEMENT



Les matières toxiques et corrosives ci-dessous se trouvent dans les batteries utilisées dans cette machine : **Lithium-ion, une substance toxique.**

## ▲ AVERTISSEMENT

Éliminez toutes les substances toxiques d'une manière spécifiée afin de prévenir la contamination de l'environnement. Avant de jeter une batterie au lithium-ion endommagée ou usée, contactez votre agence locale d'élimination des déchets ou l'agence locale de protection de l'environnement pour obtenir des informations et des instructions spécifiques. Apportez les batteries à un centre local de recyclage ou d'élimination certifié pour l'élimination de batteries au lithium-ion.

## ▲ AVERTISSEMENT

Si la batterie se fend ou se brise, avec ou sans fuites, ne la rechargez pas et ne l'utilisez pas. Jetez-la et remplacez-la par une nouvelle batterie. **N'ESSAYEZ PAS DE LA RÉPARER !** Pour prévenir les blessures et les risques d'incendie, d'explosion ou de décharge électrique, et pour éviter tout dommage à l'environnement :

- Couvrez les bornes de la batterie avec du ruban adhésif résistant.
- **NE PAS** essayer d'enlever ou de détruire les composants de la batterie.
- **NE PAS** essayer d'ouvrir ou de réparer la batterie.
- En cas de fuite, les électrolytes rejetés sont corrosifs et toxiques. **NE** laissez **PAS** entrer la solution dans les yeux ou en contact avec la peau et ne l'avalez pas.
- **NE PAS** jeter vos batteries usagées dans votre poubelle à ordures ménagères.
- N'incinerez **PAS** les batteries.
- **NE LES** Mettez **PAS** dans un endroit où ils feront partie d'un site d'enfouissement de déchets ou d'un flux de déchets solides municipaux.
- Emmenez-les dans un centre de recyclage ou d'élimination certifié.

## 7 CONSERVEZ CES INSTRUCTIONS

## 8 INSTALLATION

- Si le bloc-batterie ou le chargeur est endommagé, remplacez-le immédiatement, au besoin.
- Vérifiez que la machine est en position **ARRÊT** avant d'installer ou de retirer le bloc-batterie.

### 8.1 DÉBALLER LA MACHINE

## ▲ AVERTISSEMENT

Assurez-vous d'assembler correctement la machine avant de l'utiliser.

## ▲ AVERTISSEMENT

- Si les pièces de la machine sont endommagées, ne l'utilisez pas.
- Si vous n'avez pas toutes les pièces, n'utilisez pas la machine.
- Si des pièces sont endommagées ou manquantes, communiquez avec le centre de service.

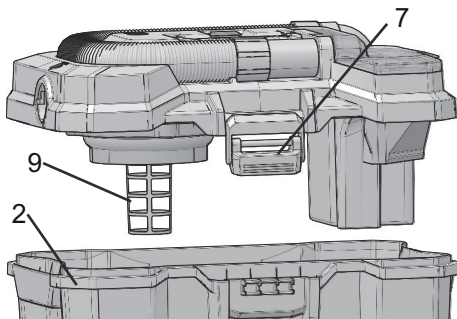
1. Ouvrez l'emballage.
2. Lisez la documentation contenue dans la boîte.
3. Retirez toutes les pièces non assemblées de la boîte.
4. Retirez la machine de sa boîte.
5. Jetez la boîte et l'emballage conformément aux règlements locaux.

### 8.2 INSTALLEZ LE FILTRE

## ▲ AVERTISSEMENT

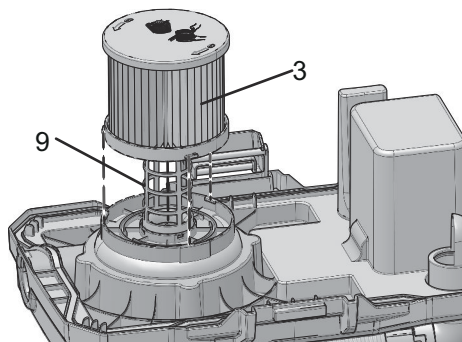
Pour éviter tout démarrage accidentel susceptible de provoquer des blessures graves, retirez toujours le bloc-batterie de l'outil lors de l'assemblage des pièces.

1. Soulevez le loquet (7) des deux côtés de l'ensemble du couvercle supérieur.

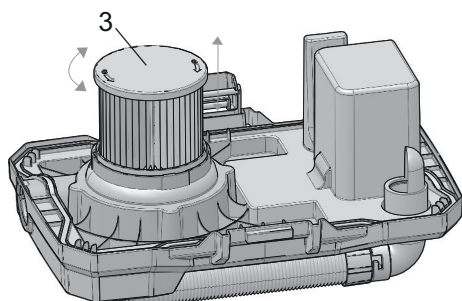


2. Alignez le filtre (3) avec la cage du filtre (9)





3. Faites glisser le filtre (3) sur la cage du filtre (9)

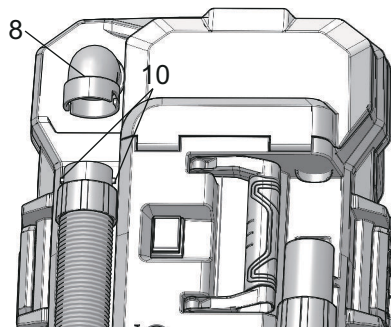


4. Faites glisser et tournez le filtre (3) en place.

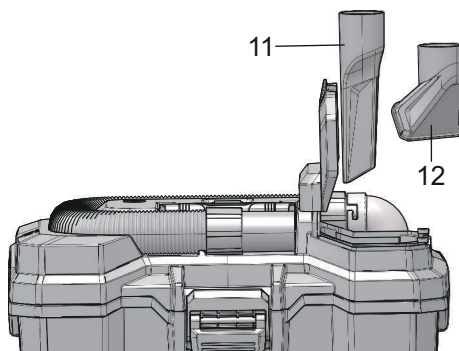
## 8.3 RETIREZ LE FILTRE

1. Soulevez le loquet (7) des deux côtés de l'ensemble du couvercle supérieur.
2. Retirez le réservoir de collecte (2).
3. Tournez le filtre (3) dans le sens inverse des aiguilles d'une montre.
4. Retirez le filtre en le faisant glisser.

## 8.4 INSÉREZ LE TUYAU



1. Alignez l'une ou l'autre des rainures (10) du tube avec les languettes du tuyau.
2. Insérez l'extrémité de verrouillage du tuyau dans l'orifice de l'aspirateur (8) et tournez-le dans le sens des aiguilles d'une montre pour le verrouiller en place.

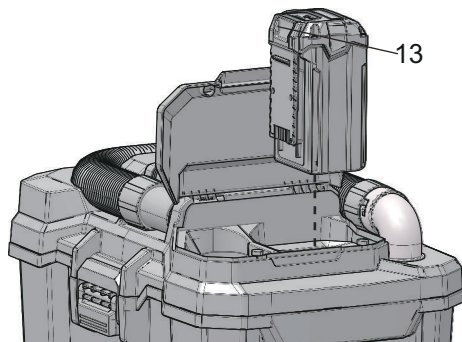


3. Insérez correctement l'accessoire désiré (11/12) à l'extrémité du tuyau.

### **i** REMARQUE

Pour retirer le tuyau, tournez l'extrémité de verrouillage du tuyau dans le sens contraire des aiguilles d'une montre.

## 8.5 INSTALLER LE BLOC-BATTERIE



### ▲ AVERTISSEMENT

- Si le bloc-batterie ou le chargeur est endommagé, remplacez-le, au besoin.
- Arrêtez la machine et attendez que le moteur s'arrête avant d'installer ou de retirer le bloc-batterie.
- Lisez, comprenez et suivez les instructions du manuel du bloc-batterie et du chargeur.

1. Ouvrez le couvercle de la batterie.
2. Alignez les languettes du bloc-batterie avec les rainures du compartiment de batterie.
3. Poussez le bloc-batterie dans le compartiment de batterie jusqu'à ce qu'il soit bien encliqueté.
4. Vous devriez entendre un clic lorsque le bloc-batterie sera inséré correctement.
5. Fermez le couvercle de la batterie.

## 8.6 RETIRER LE BLOC-BATTERIE

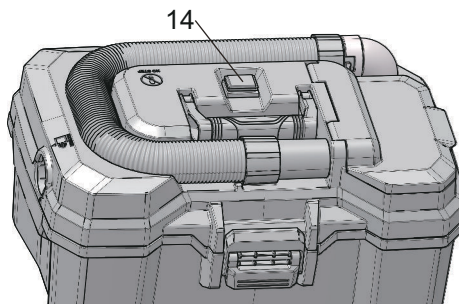
1. Ouvrez le couvercle de la batterie.
2. Poussez et maintenez enfoncé le bouton de déblocage de la batterie (13).
3. Retirez le bloc-batterie de la machine.

## 9 UTILISATION

### ▲ AVERTISSEMENT

Ne manipulez pas le Bloc-batterie, l'interrupteur ou la machine avec les mains mouillées. N'exposez pas à la pluie et ne laissez pas le liquide pénétrer dans le compartiment moteur.

## 9.1 DÉMARRER LA MACHINE



1. Appuyez sur le bouton marche/arrêt (14) pour allumer la machine.

### ▲ AVERTISSEMENT

Tenez la machine avec les deux mains pendant le fonctionnement.

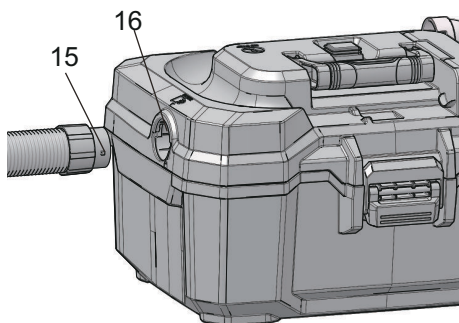
### i REMARQUE

Si vous souhaitez redémarrer la machine, attendez qu'elle s'arrête complètement.

## 9.2 ARRÊTER LA MACHINE

1. Placez le bouton marche/arrêt en position arrêt.

## 9.3 CARACTÉRISTIQUE DE SOUFLAGE



Il peut souffler de la sciure de bois et d'autres débris. Suivez les étapes ci-dessous pour utiliser votre machine comme souffleur.

1. Alignez l'une ou l'autre des rainures (16) du tube avec les languettes (15) du tuyau.
2. Fixez l'accessoire désiré à l'extrémité du tuyau.
3. Démarrez la machine.

## 9.4 CONSEILS SUR L'UTILISATION

- Le filtre doit toujours être dans une bonne position pour éviter les fuites et les dommages éventuels à la machine.
- Lorsque vous utilisez votre machine, vous devez vider le réservoir de collecte et nettoyer le filtre à des intervalles plus fréquents pour maintenir une performance d'aspiration maximale.
- Lorsque le liquide dans le réservoir de collecte atteint un niveau prédéterminé, le mécanisme de flotteur se soulève automatiquement pour couper le flux d'air. Ceci provoquera l'arrêt de l'aspiration et le bruit plus élevé du moteur. Quand cela se produit :
  1. Arrêtez la machine.
  2. Retirez le bloc-batterie.
  3. Videz le réservoir de collecte.
- Séchez le filtre après l'utilisation de la machine pour éviter la moisissure et les dommages à la machine.

## 10 ENTRETIEN

### ▲ ATTENTION

Évitez que les liquides de freins, l'essence et les matériaux à base de pétrole ne viennent en contact avec les pièces en plastique. Les produits chimiques peuvent endommager le plastique et le rendre inutilisable.

### ▲ ATTENTION

N'utilisez pas de solvants ou de détergents puissants sur le boîtier ou les composants en plastique.

### ▲ AVERTISSEMENT

Retirez la batterie de la machine avant l'entretien.

## 10.1 NETTOYEZ LE FILTRE

### i REMARQUE

Laissez sécher le filtre avant de l'entreposer ou de ramasser des débris.

Nettoyez souvent votre filtre pour maintenir une performance d'aspiration maximale.

Nettoyage d'un filtre sec :

- Le nettoyage doit se faire à l'extérieur et non dans les locaux d'habitation.
- Vous pouvez utiliser une petite brosse pour nettoyer la poussière et les débris.
- Pour un nettoyage en profondeur du filtre sec contenant de la poussière fine (pas de débris), faites passer de l'eau à travers le filtre comme décrit sous « Nettoyage d'un filtre humide ».

Nettoyage d'un filtre humide :

1. Retirez le filtre de la machine.

2. Faites couler l'eau à travers le filtre à l'aide d'un tuyau ou d'un robinet.

### i REMARQUE

Après le nettoyage, vérifiez si le filtre à cartouche ne présente pas de déchirures ou de petits trous. N'utilisez pas de cartouche à filtre qui présente des trous ou des déchirures. Même un petit trou peut permettre à la poussière de sortir de votre machine. Remplacez-le immédiatement.

## 10.2 NETTOYEZ LA MACHINE

Pour que votre machine reste impeccable, nettoyez l'extérieur avec un chiffon imbibé d'eau chaude et de savon doux.

Pour nettoyer le réservoir de collecte :

- Jetez les débris.
- Lavez le réservoir de collecte avec de l'eau tiède et du savon doux.
- Vous pouvez utiliser une petite brosse pour nettoyer la poussière et les débris.
- Essuyez avec un chiffon sec.

Pour désinfecter le réservoir de collecte :

1. Versez 1 gallon d'eau et 1 c. à thé d'eau de Javel dans le réservoir de collecte.
2. Laissez reposer la solution pendant 20 minutes, en agitant soigneusement de temps en temps pendant quelques minutes, en veillant à mouiller toutes les surfaces intérieures du réservoir de collecte.
3. Videz le réservoir de collecte après 20 minutes. Rincez à l'eau jusqu'à ce que l'odeur d'eau de Javel ait disparu. Laissez le réservoir de collecte sécher complètement avant de fermer hermétiquement le moteur du réservoir de collecte.

### i REMARQUE

Désinfectez le réservoir de collecte avant l'entreposage, au besoin.

## 11 ENTREPOSEZ LA MACHINE

### i REMARQUE

Nettoyez la machine avant de le stockage.

1. Retirez le bloc-batterie.
2. Laissez refroidir le moteur.
3. Vérifiez qu'il n'y a pas de pièces desserrées ou endommagées. Si nécessaire, remplacez les composants endommagés, serrez les vis et les boulons ou adressez-vous à une personne d'un centre de service agréé.
4. Entreposez la machine dans un endroit frais et sec.

## 12 DÉPANNAGE

Problème	Cause possible	Solution
La machine ne fonctionne pas.	L'interrupteur ou le moteur est défectueux.	Communiquez avec le centre de service.
La poussière s'échappe de l'échappement.	Le filtre est endommagé.	Remplacez le filtre.
	Le filtre n'est pas installé.	Réinstallez correctement le filtre.
	Le filtre n'est pas fonctionnel.	Nettoyez ou remplacez le filtre.
	Le filtre se bouche.	Nettoyez ou remplacez le filtre.
Perte de succion	Le raccord du tuyau est desserré.	Resserrez le raccord du tuyau.
	Le filtre se bouche.	Nettoyez ou remplacez le filtre.
	Le réservoir de collecte est plein.	Videz le réservoir de collecte.
	Le tuyau est endommagé.	Remplacez le tuyau.
Décharge statique	L'environnement est sec.	Humidifiez l'air (si possible, utilisez un humidificateur).

## 13 DONNÉES TECHNIQUES

Voltage	40 V
Taille du réservoir	3 gallons
Volume d'air	70 pi <sup>3</sup> /min
Succion maximale	10 kPa
Poids (sans batterie)	14.3 lbs. (6.5 kg)
Tuyau	7- pi (étendu)
Accessoires	Suceur plat et brosse
Batterie modèle	BAF705 et autres BAFséries
Chargeur (modèle)	29482 et autres CAFséries

## 14 GARANTIE LIMITÉE



Greenworks garantit par la présente ce produit, à l'acheteur original avec preuve d'achat, pour une période de trois (3) ans contre tout défaut de matériaux, de pièces ou de main-d'œuvre. Greenworks, à sa propre discrétion, réparera ou remplacera toutes les pièces défectueuses, dans des conditions normales d'utilisation, sans frais pour le client. Cette garantie n'est valable que pour les appareils qui ont été utilisés à des fins personnelles, qui n'ont pas été loués à des fins industrielles ou commerciales et qui ont été entretenus conformément aux instructions du manuel du propriétaire fourni avec le produit neuf.

### ARTICLES NON COUVERTS PAR LA GARANTIE :

1. Toute pièce qui est devenue inopérante en raison d'une mauvaise utilisation, d'une utilisation commerciale, d'un abus, d'une négligence, d'un accident, d'un entretien inapproprié ou d'une modification; ou
2. L'appareil, s'il n'a pas été utilisé et/ou entretenu conformément au manuel du propriétaire; ou
3. Usure normale;
4. Articles d'entretien courant tels que lubrifiants, affûtage des lames;
5. Détérioration normale du fini extérieur due à l'utilisation ou à l'exposition.

### ASSISTANCE TÉLÉPHONIQUE :

Le service de garantie est accessible en appelant notre ligne d'assistance téléphonique sans frais, au 1-888-909-6757.

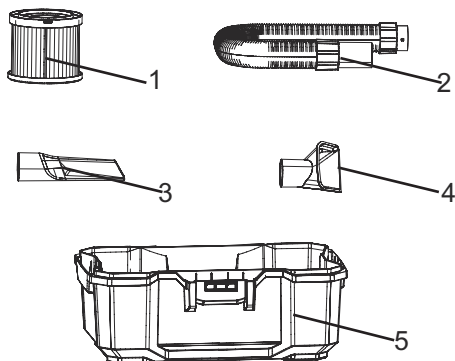
### FRAIS DE TRANSPORT :

Les frais de transport pour le déplacement de tout équipement motorisé ou accessoire sont à la charge de l'acheteur. Il incombe à l'acheteur de payer les frais de transport pour toute pièce retournée pour remplacement en vertu de la présente garantie, à moins qu'un tel retour soit demandé par écrit par Greenworks.

### Adresse aux États-Unis : Adresse au Canada :

Greenworks Tools	Greenworks Tools Canada Inc.
P.O. Box 1238	P.O. Box 93095, Newmarket, Ontario
Mooresville, NC 28115	L3Y 8K3

15 VUE ÉCLATÉE



No	No de pièce	Description	Qté
1	R0400214-00	Filtre	1
2	R0400215-00	Tuyau	1
3	R0400216-00	Suceur plat	1
4	R0400217-00	Buse utilitaire	1
5	R0202464-00	Réservoir de collecte	1

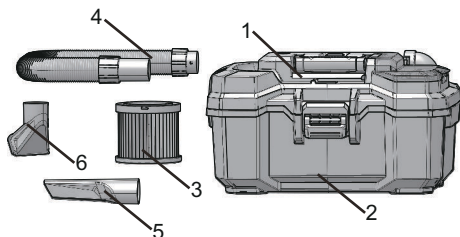
<b>1</b>	<b>Descripción.....</b>	<b>23</b>	8.3	Retirada del filtro.....	27
1.1	Finalidad.....	23	8.4	Inserción del tubo flexible.....	27
1.2	Perspectiva general.....	23	8.5	Instalación de la batería.....	27
<b>2</b>	<b>Advertencias generales de seguridad para herramientas eléctricas.....</b>	<b>23</b>	8.6	Retirada de la batería.....	27
2.1	Instrucciones importantes de seguridad.....	23	<b>9</b>	<b>Funcionamiento.....</b>	<b>27</b>
2.2	Herramientas eléctricas a batería.....	24	9.1	Puesta en marcha de la máquina.....	28
<b>3</b>	<b>Seguridad infantil.....</b>	<b>25</b>	9.2	Detención de la máquina.....	28
<b>4</b>	<b>Símbolos en el producto.....</b>	<b>25</b>	9.3	Función de soplado.....	28
<b>5</b>	<b>Niveles de riesgo.....</b>	<b>25</b>	9.4	Consejos de funcionamiento.....	28
<b>6</b>	<b>Eliminación de batería segura para el medio ambiente.....</b>	<b>25</b>	<b>10</b>	<b>Mantenimiento.....</b>	<b>28</b>
<b>7</b>	<b>Conserve estas instrucciones.....</b>	<b>26</b>	10.1	Limpieza del filtro.....	28
<b>8</b>	<b>Instalación.....</b>	<b>26</b>	10.2	Limpieza de la máquina.....	29
8.1	Desembalaje de la máquina.....	26	<b>11</b>	<b>Almacenamiento de la máquina.....</b>	<b>29</b>
8.2	Instalación del filtro.....	26	<b>12</b>	<b>Solución de problemas.....</b>	<b>29</b>
			<b>13</b>	<b>Datos técnicos.....</b>	<b>29</b>
			<b>14</b>	<b>Garantía limitada.....</b>	<b>30</b>
			<b>15</b>	<b>Vista despiezada.....</b>	<b>30</b>

## 1 DESCRIPCIÓN

### 1.1 FINALIDAD

Esta máquina se ha diseñado para aspirar el polvo en un entorno doméstico.

### 1.2 PERSPECTIVA GENERAL



- 1 Conjunto de cubierta superior
- 2 Depósito de recogida
- 3 Filtro
- 4 Tubo flexible
- 5 Herramienta para espacios reducidos
- 6 Boquilla con cepillo

## 2 ADVERTENCIAS GENERALES DE SEGURIDAD PARA HERRAMIENTAS ELÉCTRICAS

### ▲ AVISO

**Lea todas las advertencias de seguridad y todas las instrucciones.** El incumplimiento de las advertencias e instrucciones puede provocar descargas eléctricas, incendios o lesiones graves.

**Guarde todas las advertencias e instrucciones para su consulta posterior.**

*El término "herramienta eléctrica" empleado en las advertencias se refiere a su herramienta eléctrica con funcionamiento a batería (inalámblica).*

### 2.1 INSTRUCCIONES IMPORTANTES DE SEGURIDAD

Para uso doméstico.

**LEA TODAS LAS INSTRUCCIONES ANTES DEL USO (DE ESTA HERRAMIENTA ELÉCTRICA)**

### ▲ AVISO

**Debe leer y entender todas las instrucciones antes de utilizar este producto.** El incumplimiento de las instrucciones indicadas a continuación puede provocar descargas eléctricas, incendios o lesiones personales graves. Cuando utilice un aparato eléctrico, deben seguirse siempre precauciones básicas, incluidas las siguientes:

El término "herramienta eléctrica" empleado en todas las advertencias indicadas a continuación se refiere a su herramienta eléctrica con funcionamiento de red (con cable) o herramienta eléctrica con funcionamiento a batería (inalámblica).

- No cargue el aparato en exteriores.
- No deje que las herramientas eléctricas se utilicen como un juguete. Es necesario prestar mucha atención cuando es utilizado por niños o cerca de estos.
- Utilice únicamente como se describe en este manual. Utilice únicamente los accesorios recomendados por el fabricante.
- Si la herramienta no funciona como debería, se ha caído, ha sufrido daños, se ha dejado al aire libre o se ha caído al agua, llévela a un centro de servicio.
- No manipule la batería ni la herramienta con las manos mojadas.
- No introduzca ningún objeto por las aberturas. No lo utilice con una abertura obstruida; manténgalo libre de polvo, pelusas, pelos y cualquier cosa que pueda reducir el flujo de aire.
- Mantenga el cabello, la ropa suelta, los dedos y todas las partes del cuerpo lejos de las aberturas y de las piezas móviles.
- Tenga especial cuidado al limpiar escaleras.
- No utilice la herramienta en una atmósfera explosiva, como en la presencia de líquidos, gases o polvo que puedan inflamarse. Las herramientas generan chispas que pueden encender el polvo o los gases.
- Almacene en interior. No exponga a la lluvia o al agua. Evite la luz solar directa.
- Nunca permita que los niños utilicen la herramienta. Nunca permita que utilicen la herramienta eléctrica adultos sin la debida instrucción.
- Lleve pantalones largos y gruesos, botas y guantes. Evite prendas sueltas o joyas que puedan engancharse en las piezas móviles de la máquina o su motor.
- No fuerce la herramienta. Utilice la herramienta correcta para su aplicación. La herramienta correcta hará el trabajo mejor y con mayor seguridad a la velocidad para la que se diseñó.
- Mantenga una posición firme y el equilibrio. No se estire. Estirarse en exceso puede hacer que pierda el equilibrio.
- No utilice la herramienta si el interruptor no la enciende o la apaga. Cualquier herramienta que no pueda controlarse con el interruptor es peligrosa y debe repararse.
- No utilice esta herramienta cuando esté cansado, enfermo o bajo la influencia de alcohol, drogas o medicamentos.

- No utilice en condiciones de poca iluminación. No utilice el aparato para recoger líquidos inflamables o combustibles, como gasolina, ni lo utilice en zonas donde estos líquidos puedan estar presentes.
- No recoja nada que esté ardiendo o eche humo, como cigarrillos, cerillas o cenizas calientes.
- No utilice sin el depósito de recogida, el filtro o el tubo en su posición (si corresponde).
- No utilice con un cable o un enchufe dañado. Si la herramienta no funciona como debería, se ha caído, ha sufrido daños, se ha dejado al aire libre o se ha caído al agua, llévela a un centro de servicio.
- No tire del cable ni lo utilice para transportar el aparato, no utilice el cable como asa, no pille el cable con una puerta ni pase el cable alrededor de bordes afilados o esquinas. No pase la herramienta sobre el cable. Mantenga el cable alejado de superficies calientes.
- Apague todos los controles antes de retirar la batería.
- No maneje el enchufe o la herramienta con las manos mojadas.
- No utilice sin la bolsa para el polvo o los filtros en su posición.
- Desconecte la batería/fuente de alimentación de la herramienta antes de realizar ajustes, cambiar accesorios o almacenarla. Estas medidas de seguridad preventivas reducen el riesgo de que la herramienta se ponga en marcha accidentalmente.
- Apague siempre esta herramienta antes de conectar o desconectar un tubo flexible.
- Esta herramienta dispone de doble aislamiento. Utilice únicamente piezas de repuesto idénticas. Consulte las instrucciones para realizar tareas de servicio de herramientas con doble aislamiento.
- Para reducir el riesgo de descarga eléctrica, utilice la herramienta únicamente con piezas idénticas y cables de suministro de Greenworks. Si el cable resulta dañado o se pierde, sustitúyalo por una pieza de repuesto idéntica.
- Siga todas las instrucciones de carga y no cargue la batería o la herramienta fuera del intervalo de temperatura especificado en las instrucciones. La carga incorrecta o a temperaturas fuera del intervalo especificado puede dañar la batería y aumentar el riesgo de incendio.
- No modifique ni intente reparar la herramienta o la batería (según corresponda), excepto lo indicado en las instrucciones de uso y cuidado.
- No introduzca ningún objeto en las aberturas cuando utilice la máquina como soplador. No utilice si hay alguna abertura bloqueada. Mantenga libre de polvo, pelusas, pelos o cualquier otra cosa que pueda reducir el flujo de aire.
- Recargue solo con el cargador especificado por el fabricante. Un cargador adecuado para un tipo de batería puede dar lugar a un riesgo de incendio cuando se usa con otra batería.
- Utilice únicamente el cargador suministrado por el fabricante para recargar.
- Utilice los aparatos únicamente con las baterías designadas específicamente. El uso de cualquier otra batería puede dar lugar a un riesgo de lesiones e incendio.
- Evite el arranque accidental. Asegúrese de que el interruptor esté en la posición de apagado antes de conectar a la batería y al coger o transportar el aparato. El transporte de una herramienta eléctrica con el dedo en el interruptor o la conexión de una herramienta eléctrica que tiene el interruptor activado fomenta los accidentes.
- Desconecte la batería de la herramienta eléctrica antes de realizar ajustes, cambiar accesorios o almacenar la herramienta eléctrica. Estas medidas de seguridad preventivas reducen el riesgo de que la herramienta eléctrica se arranque accidentalmente.
- Cuando la batería no esté en uso, manténgala alejada de otros objetos metálicos como clips, monedas, llaves, clavos, tornillos u otros objetos metálicos pequeños que puedan hacer una conexión entre los terminales. El cortocircuito de los terminales de la batería puede provocar quemaduras o un incendio.
- Bajo condiciones abusivas, es posible que salga líquido despedido de la batería; evite el contacto. Si se produce un contacto accidental, aclare con agua. Si el líquido entra en contacto con los ojos, acuda también al médico. El líquido despedido de la batería puede provocar irritación o quemaduras.
- No incinere el aparato aunque esté gravemente dañado. Las baterías pueden explotar en un incendio.
- No utilice una batería o un aparato que haya sufrido daños o modificaciones. Las baterías dañadas o modificadas pueden exhibir un comportamiento impredecible que puede dar lugar a un incendio, una explosión o un riesgo de lesiones.
- No exponga una batería o un aparato al fuego ni a temperaturas excesivas. La exposición al fuego o a una temperatura superior a 265°F (130°C) puede provocar una explosión.
- Solicite a un técnico de reparación cualificado que realice las tareas de servicio utilizando únicamente piezas de repuesto idénticas. Esto garantizará el mantenimiento de la seguridad del producto.
- No modifique ni intente reparar el aparato o la batería (según corresponda), excepto lo indicado en las instrucciones de uso y cuidado.
- Siga todas las instrucciones de carga y no cargue la batería o el aparato fuera del intervalo de temperatura especificado en las instrucciones. La carga incorrecta o a temperaturas fuera del intervalo especificado puede dañar la batería y aumentar el riesgo de incendio.

## 2.2 HERRAMIENTAS ELÉCTRICAS A BATERÍA

- No utilice un aparato a batería bajo la lluvia.
- Apague todos los controles antes de retirar la batería.








### 3 SEGURIDAD INFANTIL

Pueden producirse accidentes trágicos si el operario no es consciente de la presencia de niños.

- Mantenga a los niños fuera de la zona de trabajo y bajo la vigilancia de un adulto responsable.
- No permita que niños menores de 14 años utilicen esta herramienta. Los niños de 14 años y mayores deben leer y entender las instrucciones de funcionamiento y las normas de seguridad que se encuentran en este manual y deben recibir formación y supervisión por parte de uno de sus progenitores.
- Manténgase alerta y apague el aparato si un niño o cualquier otra persona entra en la zona de trabajo.
- Tenga mucho cuidado al acercarse a esquinas ciegas, portales, arbustos, árboles u otros objetos que puedan ocultar su visión de un niño que pueda correr hacia el recorrido del aparato.




### 4 SÍMBOLOS EN EL PRODUCTO

En el producto pueden utilizarse algunos de los siguientes símbolos. Le rogamos que los estudie y aprenda su significado. La interpretación correcta de estos símbolos le permitirá manejar el producto mejor y de manera más segura.

Símbolo	Explicación
V	Tensión
A	Corriente
Hz	Frecuencia (ciclos por segundo)
W	Potencia
min	Tiempo
---	Tipo o una característica de corriente
	Precauciones que afectan a su seguridad.
	Debe leer y entender todas las instrucciones antes de manejar el producto, así como seguir todas las advertencias e instrucciones de seguridad.
	Lleve protección ocular y auditiva.
	Los objetos proyectados pueden rebotar y provocar lesiones personales o daños materiales. Lleve indumentaria de protección y botas.
	Mantenga a los transeúntes al menos a 15 m.

### 5 NIVELES DE RIESGO

Las siguientes indicaciones y significados tienen como fin explicar los niveles de riesgo asociados a este producto.

SÍMBOLO	INDICACIÓN	SIGNIFICADO
	PELIGRO	Indica una situación de peligro inminente que, de no evitarse, provocará lesiones graves o incluso la muerte.
	ADVERTENCIA	Indica una situación de peligro potencial que, de no evitarse, podría provocar lesiones graves o incluso la muerte.
	PRECAUCIÓN	Indica una situación de peligro potencial que, de no evitarse, puede provocar lesiones leves o moderadas.
	PRECAUCIÓN	(Sin símbolo de alerta sobre seguridad) Indica una situación que puede provocar daños materiales.

### 6 ELIMINACIÓN DE BATERÍA SEGURA PARA EL MEDIO AMBIENTE



Los materiales tóxicos y corrosivos que figuran a continuación se encuentran en las baterías utilizadas en esta máquina: **Ion de litio, un material tóxico.**

#### ▲ AVISO

Deseche todos los materiales tóxicos de una manera especificada para evitar la contaminación del medio ambiente. Antes de desechar una batería de ion de litio dañada o agotada, contacte con la agencia local de eliminación de residuos o con la agencia de protección ambiental local para obtener información e instrucciones específicas. Lleve las baterías a un centro de reciclaje o eliminación local, certificado para la eliminación de ion de litio.

## ▲ AVISO

Si la batería se agrieta o se rompe, con o sin fugas, no la recargue ni la utilice. Deséchela y sustitúyala por una batería nueva. ¡NO INTENTE REPARARLA! Para evitar lesiones y riesgos de incendio, explosión o descarga eléctrica, y para evitar daños al medio ambiente:

- Cubra los terminales de la batería con cinta adhesiva resistente.
- NO intente retirar o destruir ninguno de los componentes de la batería.
- NO intente abrir la batería.
- Si se produce una fuga, los electrolitos liberados son corrosivos y tóxicos. NO deje que la solución entre en contacto con los ojos o la piel, y no la ingiera.
- NO deseche estas baterías con la basura doméstica normal.
- NO incinere.
- NO lleve las baterías a lugares donde formarán parte de vertederos de residuos o flujos de residuos sólidos urbanos.
- Llévelas a un centro de reciclaje o eliminación certificado.

## 7 CONSERVE ESTAS INSTRUCCIONES

## 8 INSTALACIÓN

- En caso de que la batería o el cable del cargador estén dañados, deberá sustituir la batería o el cargador inmediatamente.
- Antes de instalar o retirar la batería, compruebe que la máquina está APAGADA.

### 8.1 DESEMBALAJE DE LA MÁQUINA

#### ▲ AVISO

Asegúrese de montar correctamente la máquina antes del uso.

#### ▲ AVISO

- Si las piezas de la máquina presentan daños, no utilice la máquina.
- Si no tiene todas las piezas, no utilice la máquina.
- Si faltan piezas o hay piezas dañadas, contacte con el centro de servicio.

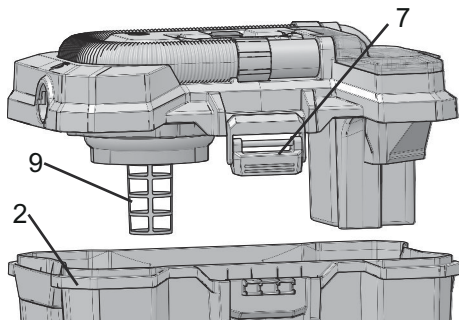
1. Abra el embalaje.
2. Lea la documentación que se proporciona en la caja.
3. Retire todas las piezas sin montar de la caja.
4. Retire la máquina de la caja.
5. Deseche la caja y el material de embalaje de conformidad con los reglamentos locales.

### 8.2 INSTALACIÓN DEL FILTRO

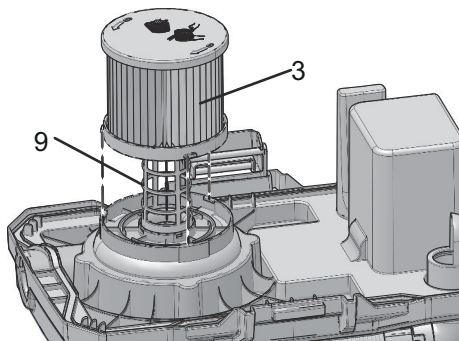
#### ▲ AVISO

Para evitar una puesta en marcha accidental que podría provocar lesiones personales graves, retire siempre la batería de la herramienta al montar cualquier pieza.

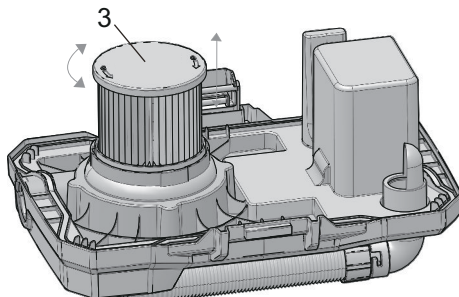
1. Levante el cierre (7) a ambos lados del conjunto de la cubierta superior.



2. Alinee el filtro (3) con la carcasa del filtro (9).



3. Introduzca el filtro (3) en la carcasa del filtro (9).

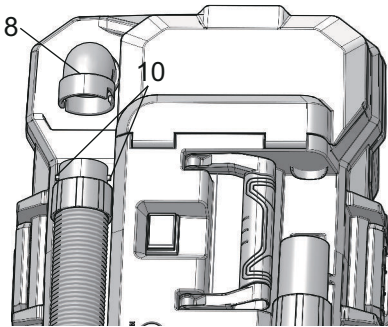


- Deslice y gire el filtro (3) en su posición.

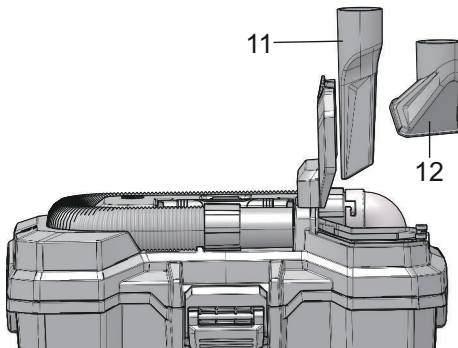
## 8.3 RETIRADA DEL FILTRO

- Levante el cierre (7) a ambos lados del conjunto de la cubierta superior.
- Retire el depósito de recogida (2).
- Gire el filtro (3) en sentido antihorario.
- Saque el filtro.

## 8.4 INSERCIÓN DEL TUBO FLEXIBLE



- Alinee cualquiera de las ranuras (10) del tubo con las pestañas del tubo flexible.
- Inserte el extremo de bloqueo del tubo flexible en el orificio de aspiración (8) y gírelo en sentido horario para bloquearlo en su posición.

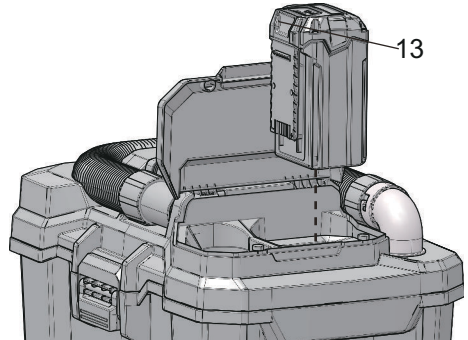


- Inserte el accesorio deseado (11/12) en el extremo del tubo flexible de forma segura.

### **i** NOTA

Gire el extremo de bloqueo del tubo flexible en sentido antihorario para retirarlo.

## 8.5 INSTALACIÓN DE LA BATERÍA



### **▲** AVISO

- Si la batería o el cargador ha sufrido daños, sustituya la batería o el cargador.
- Detenga la máquina y espere hasta que el motor se pare antes de instalar o retirar la batería.
- Debe leer, conocer y seguir las instrucciones del manual de la batería y el cargador.

- Abra la puerta de la batería.
- Alinee las nervaduras de elevación de la batería con las ranuras del compartimento de la batería.
- Introduzca la batería en el compartimento de la batería hasta que encaje en su posición.
- Cuando escuche un clic, la batería está instalada.
- Cierre la puerta de la batería.

## 8.6 RETIRADA DE LA BATERÍA

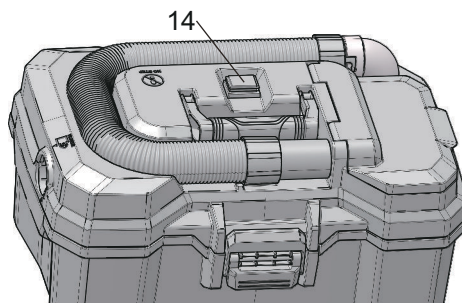
- Abra la puerta de la batería.
- Pulse y mantenga pulsado el botón de desbloqueo de la batería (13).
- Retire la batería de la máquina.

## 9 FUNCIONAMIENTO

### **▲** AVISO

No manipule la batería, el interruptor ni la máquina con las manos mojadas. No exponga a la lluvia ni permita que penetre líquido en el compartimento del motor.

## 9.1 PUESTA EN MARCHA DE LA MÁQUINA



1. Pulse el botón de encendido/apagado (14) para encender la máquina.

### ▲ AVISO

Sujete la máquina con las manos durante el funcionamiento.

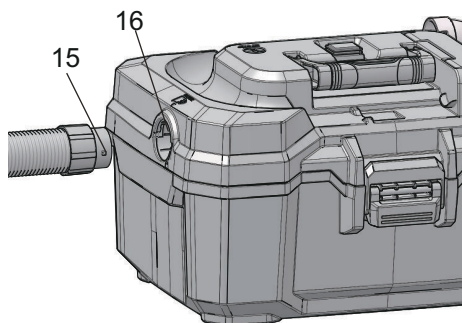
### i NOTA

Si desea volver a encender la máquina, espere hasta que esta se detenga totalmente.

## 9.2 DETENCIÓN DE LA MÁQUINA

1. Sitúe el botón de encendido/apagado en la posición de apagado.

## 9.3 FUNCIÓN DE SOPLADO



Puede soplar serrín y otros residuos. Realice estos pasos para utilizar la máquina como un soplador.

1. Alinee cualquiera de las ranuras (16) del tubo con las pestañas (15) del tubo flexible.
2. Instale el accesorio deseado en el extremo del tubo flexible.
3. Ponga en marcha la máquina.

## 9.4 CONSEJOS DE FUNCIONAMIENTO

- El filtro siempre debe estar en la posición correcta para evitar fugas y posibles daños en la máquina.
- Cuando utilice la máquina, será necesario vaciar el depósito de recogida y limpiar el filtro a intervalos más frecuentes para mantener el rendimiento máximo del aspirador.
- Cuando el líquido en el depósito de recogida alcance un nivel predeterminado, el mecanismo de flotación se elevará automáticamente para cortar el flujo de aire. Esto hará que la aspiración se detenga y el motor empezará a sonar más fuerte. Cuando suceda esto:
  1. Apague la máquina.
  2. Retire la batería.
  3. Vacíe el depósito de recogida.
- Seque el filtro después de utilizar la máquina para evitar el moho y daños en la máquina.

## 10 MANTENIMIENTO

### ▲ PRECAUCIÓN

No permita que líquidos de frenos, gasolina y otros derivados del petróleo toquen las piezas de plástico. Las sustancias químicas pueden dañar el plástico y hacer que quede inservible.

### ▲ PRECAUCIÓN

No utilice disolventes o detergentes fuertes en la carcasa o los componentes de plástico.

### ▲ AVISO

Retire la batería de la máquina antes de realizar tareas de mantenimiento.

## 10.1 LIMPIEZA DEL FILTRO

### i NOTA

Deje que el filtro se seque antes del almacenamiento o de la recogida de residuos.

Limpie el filtro con frecuencia para mantener el rendimiento máximo de aspiración.

Limpieza de un filtro seco:

- La limpieza debe realizarse en el exterior y no en un espacio cerrado.
- Puede utilizar un cepillo pequeño para limpiar el polvo y los residuos.
- Para limpiar a fondo el filtro seco con polvo fino (sin residuos), póngalo bajo el chorro de agua como se describe en "Limpieza de un filtro húmedo"

Limpieza de un filtro húmedo:

1. Retire el filtro de la máquina.
2. Haga correr agua a través del filtro desde una manguera o una espita.

### i NOTA

Compruebe que el filtro de cartucho no tenga desgarros o agujeros pequeños tras la limpieza. No utilice un filtro de cartucho con agujeros o desgarros. Incluso un pequeño agujero puede permitir que salga polvo de la máquina. Sustitúyalo inmediatamente.

## 10.2 LIMPIEZA DE LA MÁQUINA

Para que la máquina mantenga el mejor aspecto posible, limpie el exterior con un paño humedecido en agua templada y jabón suave.

Para limpiar el depósito de recogida:

- Deseche los residuos.
- Lave el depósito de recogida con agua templada y jabón suave.
- Puede utilizar un cepillo pequeño para limpiar el polvo y los residuos.
- Limpie frotando con un paño seco.

Para desinfectar el depósito de recogida:

1. Vierta 1 galón de agua (3,7 l) y 1 cucharadita de lejía en el depósito de recogida.
2. Deje actuar la solución durante 20 minutos, agitándola cuidadosamente cada pocos minutos, asegurándose de mojar todas las superficies interiores del depósito de recogida.
3. Vacíe el depósito de recogida tras 20 minutos. Aclare con agua hasta que se vaya el olor a lejía. Deje que el depósito de recogida se seque totalmente antes de sellar el motor en el depósito de recogida.

### i NOTA

Desinfecte el depósito de recogida antes de almacenarlo o cuando sea necesario.

## 11 ALMACENAMIENTO DE LA MÁQUINA

### i NOTA

Limpie la máquina antes del almacenamiento.

1. Retire la batería.
2. Deje que el motor se enfríe.
3. Compruebe que no haya componentes sueltos o dañados. En caso necesario, sustituya los componentes dañados, apriete los tornillos y los pernos o consulte con una persona de un centro de servicio autorizado.
4. Almacene la máquina en un lugar fresco y seco.

## 12 SOLUCIÓN DE PROBLEMAS

Problema	Posible causa	Solución
La máquina no funciona.	El interruptor o el motor está defectuoso.	Consulte con un centro de servicio.
Descargas de polvo de la evacuación.	El filtro ha sufrido daños.	Sustituya el filtro.
	No se ha instalado el filtro.	Reinstale el filtro correctamente.
	El filtro no funciona.	Limpie o sustituya el filtro.
	El filtro se atasca.	Limpie o sustituya el filtro.
Pérdida de aspiración	La conexión del tubo flexible está floja.	Apriete la conexión del tubo flexible.
	El filtro se atasca.	Limpie o sustituya el filtro.
	El depósito de recogida está lleno.	Vacíe el depósito de recogida.
	El tubo flexible ha sufrido daños.	Sustituya el tubo flexible.
Descarga estática	El entorno está seco.	Añada humedad al aire (si es práctico, utilice un humidificador).

## 13 DATOS TÉCNICOS

Tensión	40 V
Tamaño del depósito	3 galones
Volumen de aire	70 CFM
Aspiración máx.	10 kPa
Peso (sin batería)	14.3 lbs. (6.5 kg)
Tubo flexible	7-ft ampliado
Accesorios	Herramienta para espacios reducidos y Herramienta de cepillo
Modelo de batería	BAF705 y otras series BAF
Modelo de carga	29482 y otras series CAF

## 14 GARANTÍA LIMITADA



Por la presente Greenworks garantiza este producto, al comprador original con el comprobante de compra, durante un periodo de tres (3) años frente a defectos en materiales, piezas o mano de obra. A su entera discreción Greenworks reparará o sustituirá cualquiera y todas las piezas que resulten ser defectuosas, con un uso normal, sin coste alguno para el cliente. Esta garantía es válida únicamente para unidades que se hayan utilizado para uso personal que no han sido compradas o alquiladas para uso industrial/comercial y cuyo mantenimiento se ha realizado de acuerdo con las instrucciones del manual del propietario suministrado con el producto nuevo.

### ARTÍCULOS NO CUBIERTOS POR LA GARANTÍA:

1. Cualquier pieza que no funcione debido a mal uso, uso comercial, abuso, negligencia, accidente, mantenimiento inadecuado o alteración; o
2. La unidad, si no ha sido utilizada o mantenida de acuerdo con el manual del propietario; o
3. Desgaste normal;
4. Artículos de mantenimiento de rutina tales como lubricantes, afilado de cuchillas;
5. Deterioro normal del acabado exterior debido al uso o la exposición.

### LÍNEA DE ASISTENCIA TELEFÓNICA:

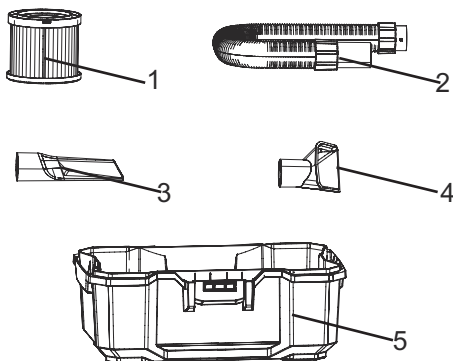
Puede contactar con el servicio de garantía llamando a nuestra línea de asistencia telefónica gratuita a 1-888-909-6757.

### COSTES DE TRANSPORTE:

Los costes de transporte por el desplazamiento de cualquier unidad o accesorio de equipos eléctricos son responsabilidad del comprador. Es responsabilidad del comprador pagar los costes de transporte de cualquier pieza enviada para su sustitución bajo esta garantía, a menos que dicha devolución sea solicitada por escrito por Greenworks.

<b>Dirección en EE.UU.:</b>	<b>Dirección en Canadá:</b>
Greenworks Tools	Greenworks Tools Canada, Inc.
P.O. Box 1238	P.O. Box 93095, Newmarket, Ontario
Mooresville, NC 28115	L3Y 8K3

## 15 VISTA DESPIEZADA



Nº	Nº pieza	Descripción	Cant.
1	R0400214-00	Filtro	1
2	R0400215-00	Tubo flexible	1
3	R0400216-00	Herramienta para espacios reducidos	1
4	R0400217-00	Boquilla con cepillo	1
5	R0202464-00	Depósito de recogida	1



