

**greenworks** **pro**<sup>®</sup>

**PW18HYV**

EN

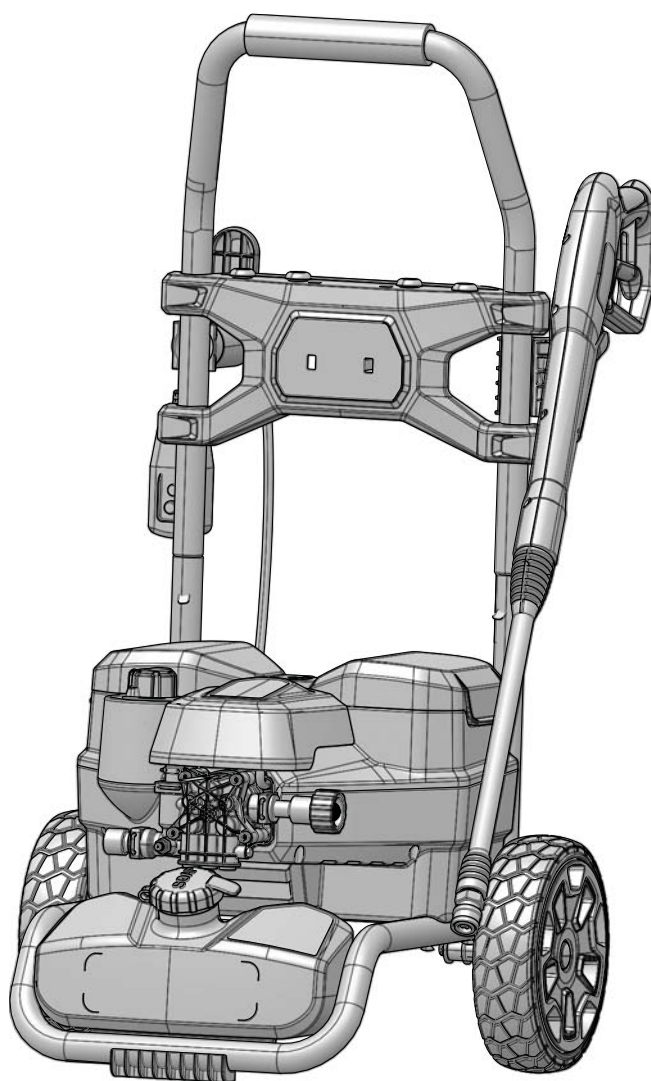
PRESSURE WASHER

OPERATOR MANUAL

ES

LIMPIADOR A PRESIÓN

MANUAL DEL OPERADOR



**PWA501**

<b>1</b>	<b>Description.....</b>	<b>2</b>	4.4	Install the upper panel.....	8
1.1	Purpose.....	2	4.5	Install the spray gun holder.....	8
1.2	Overview.....	2	4.6	Install the power cord storage arms.....	9
<b>2</b>	<b>General power tool safety</b>		4.7	Install the hose hook.....	9
	<b>warnings.....</b>	<b>2</b>	4.8	Install the upper handle.....	9
2.1	General power tool safety warnings.....	2	4.9	Install the spray wand.....	9
2.2	Electrical safety warnings.....	2	4.10	Install the high pressure hose.....	9
2.3	Pressure washer safety warnings.....	3	4.11	Install the battery pack.....	10
2.4	Ground fault circuit interrupter protection.....	3	<b>5</b>	<b>Operation.....</b>	<b>10</b>
2.5	Servicing of a double-insulated appliance.....	3	5.1	Connect the water supply to the machine.....	10
2.6	Extension cords.....	3	5.2	Use the spray gun.....	10
2.7	Child safety.....	3	5.3	Change the spray tip.....	11
2.8	Symbols on the product.....	3	5.4	Add detergent.....	11
2.9	Risk levels.....	4	5.5	Start the machine.....	12
2.10	Proposition 65.....	4	5.6	Use the machine in suction mode.....	12
<b>3</b>	<b>General power tool safety</b>		5.7	Stop the machine.....	12
	<b>warnings.....</b>	<b>4</b>	<b>6</b>	<b>Maintenance.....</b>	<b>12</b>
3.1	Symbols on the product.....	6	6.1	Spray tip maintenance.....	13
3.2	Risk levels.....	7	<b>7</b>	<b>Transportation and storage.....</b>	<b>13</b>
3.3	Recycle.....	7	7.1	Move the machine.....	13
3.4	Proposition 65.....	7	7.2	Store the machine.....	13
<b>4</b>	<b>Installation.....</b>	<b>7</b>	<b>8</b>	<b>Troubleshooting.....</b>	<b>14</b>
4.1	Electrical connection.....	7	<b>9</b>	<b>Technical data.....</b>	<b>15</b>
4.2	Unpack the machine.....	8	<b>10</b>	<b>Limited warranty.....</b>	<b>15</b>
4.3	Install the wheels.....	8	<b>11</b>	<b>Exploded view.....</b>	<b>16</b>

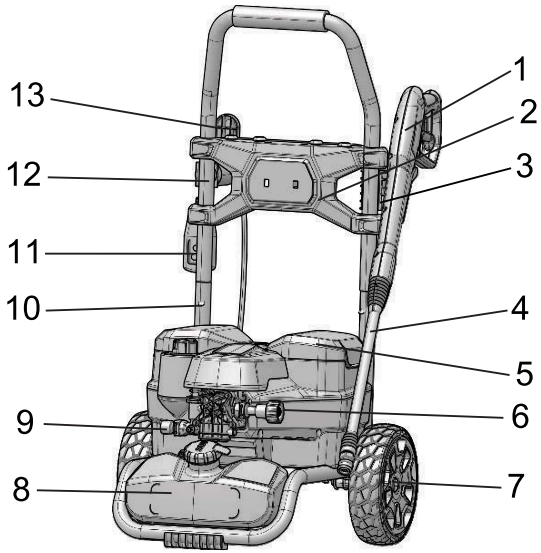
# 1 DESCRIPTION

## 1.1 PURPOSE

The machine is used to clean vehicles, boats, buildings, porches, decks, patios, and driveways.

For domestic use only, not for professional use, and for operation at temperature above 32°F (0°C).

## 1.2 OVERVIEW



- 1 Spray Gun
- 2 Upper panel
- 3 Spray gun holder
- 4 Spray wand
- 5 Battery compartment
- 6 Water inlet
- 7 Wheel
- 8 Detergent tank
- 9 Water outlet
- 10 Lower handle
- 11 GFCI
- 12 Upper handle
- 13 Cord storage arm

# 2 GENERAL POWER TOOL SAFETY WARNINGS

**▲ WARNING**

When using this product basic precautions should always be followed, including the following:

Save all warnings and instructions for future reference.

The term “power tool” in the warnings refers to your mains-operated (corded) power tool.

## 2.1 GENERAL POWER TOOL SAFETY WARNINGS

- The machine is not intended for use by persons (including children) with reduced physical, sensory or mental capabilities, or lack of experience and knowledge, unless they have been given supervision or instruction concerning use of the appliance by a person responsible for their safety. Children should be supervised to ensure that they do not play with the appliance.
- Learn the machine's applications and limitations as well as the specified potential hazards related to this tool by studying this manual.
- Never operate the machine with any guard or cover removed or damaged.
- Do not operate the product while under the influence of drugs, alcohol, or any medication.
- Do not wear loose clothing, gloves, neckties, or jewelry. They can get caught and draw you into moving parts.
- Rubber gloves and non-skid footwear are recommended when working outdoors. Also wear protective hair covering to contain long hair. Wear footwear that will protect your feet and improve your grip on slippery surfaces.
- Don't overreach or stand on unstable support. Keep proper footing and balance at all times.
- Check the work area before each use. Remove all objects such as rocks, broken glass, nails, wire, or string which can be thrown or become entangled in the machine.
- Avoid dangerous environments. Don't expose to rain. Keep work area well lit.
- Before starting any cleaning operation, close doors and windows. Clear the area to be cleaned of debris, toys, outdoor furniture, or other objects that could create a hazard.
- Don't use the appliance within range of persons unless they wear protective clothing.

## 2.2 ELECTRICAL SAFETY WARNINGS

- Ground Fault Circuit Interrupter (GFCI) protection should be provided on the circuit(s) or outlet(s) to be used for the product.
- Disconnect from the electrical power supply before carrying out user maintenance.
- Use only extension cords that have watertight connections and are intended for outdoor use. Use only extension cords having an electrical rating not less than the rating of the product. Examine extension cord before using and replace if damaged. Do not abuse extension cord and do not pull on any cord to disconnect. Keep cord away from heat and sharp edges. Always disconnect the extension cord from the receptacle before disconnecting the product from the extension cord.

- Do not use the appliance if a supply cord or important parts of the appliance are damaged, e.g. safety devices, high pressure hoses, trigger gun.
- Inadequate extension cords can be dangerous.
- To reduce the risk of electrocution, keep all connections dry and off the ground. Do not touch plug with wet hands.
- Do not abuse the cord. Never use the cord to carry the product or to disconnect the plug from an outlet. Keep cord away from heat, oil, sharp edges, or moving parts. Replace damaged cords immediately. Damaged cords increase the risk of electric shock.
- Inspect extension cords periodically and replace if damaged. Keep handles dry, clean, and free from oil or grease.

### 2.3 PRESSURE WASHER SAFETY WARNINGS

- Read all the instructions before using the product.
- To reduce the risk of injury, close supervision is necessary when a product is used near children.
- Know how to stop the product and bleed pressures quickly. Be thoroughly familiar with the controls.
- Stay alert – watch what you are doing.
- Do not operate the product when fatigued or under the influence of alcohol or drugs.
- Keep operating area clear of all persons.
- Do not overreach or stand on unstable support. Keep good footing and balance at all times.
- Follow the maintenance instructions specified in the manual.
- This Product Is Provided With A Ground Fault Circuit Interrupter Built Into The Power Cord Plug. If Replacement Of The Plug Or Cord Is Needed, Use Only Identical Replacement Parts.
- Risk of Injection or Injury– Do Not Direct Discharge Stream At Persons.
- Keep the motor away from flammables and other hazardous materials.
- Keep product dry, clean, and free from oil and grease. Always use a clean cloth when cleaning. Never use brake fluids, gasoline, petroleum-based products, or any solvents to clean product.

#### **▲ WARNING**

To reduce the risk of electrocution, keep all connections dry and off the ground. Do not touch plug with wet hands.

### 2.4 GROUND FAULT CIRCUIT INTERRUPTER PROTECTION

This pressure washer is provided with a ground-fault circuit-interrupter (GFCI) built into the plug of the power-supply cord. This device provides additional protection from the risk of electric shock. Should replacement of the plug or cord become necessary, use only identical replacement parts that include GFCI protection.

### 2.5 SERVICING OF A DOUBLE-INSULATED APPLIANCE

- In a double-insulated product, two systems of insulation are provided instead of grounding. No grounding means is provided on a double-insulated product, nor should a means for grounding be added to the product. Servicing a double-insulated product requires extreme care and knowledge of the system, and should be done only by qualified service personnel. Replacement parts for a double-insulated product must be identical to the parts they replace. A doubleinsulated product is marked with the words “DOUBLE INSULATION” or “DOUBLE INSULATED.”

### 2.6 EXTENSION CORDS

- Use only extension cords that are intended for outdoor use. These extension cords are identified by a marking “Acceptable for use with outdoor appliances; store indoors while not in use.” Use only extension cords having an electrical rating not less than the rating of the product. Do not use damaged extension cords. Examine extension cord before using and replace if damaged. Do not abuse extension cord and do not yank on any cord to disconnect. Keep cord away from heat and sharp edges. Always disconnect the extension cord from the receptacle before disconnecting the product from the extension cord.


### 2.7 CHILD SAFETY











Tragic accidents can occur if the operator is not aware of the presence of children.

- Keep children out of the working area and under the watchful care of a responsible adult.
- Do not allow children under the age of 14 to operate this machine. Children who are 14 years of age and older must read and understand the operating instructions and safety rules in this manual and must be trained and supervised by a parent.
- Stay alert, and turn the machine off if a child or any other person enters the working area.
- Use extreme care when approaching blind corners, doorways, shrubs, trees, or other objects that may obscure your view of a child who may run into the path of the machine.

### 2.8 SYMBOLS ON THE PRODUCT


Some of the following symbols may be used on this tool. Please study them and learn their meaning. Proper interpretation of these symbols will allow you to operate the tool better and safer.



Symbol	Explanation
	To reduce the risk of injury, user must read and understand operator's manual before using this product.

Symbol	Explanation
	Do not expose the product to rain or moist conditions.
	Always wear safety goggles or safety glasses with side shields and, as necessary, a full face shield when operating this product.
	To reduce the risk of injection or injury, never direct a water stream towards people or pets or place any body part in the stream. Leaking hoses and fittings are also capable of causing injection injury. Do not hold hoses or fittings.
	To reduce the risk of injury from kickback, hold the spray lance securely with both hands when the machine is on.
	Failure to use in dry conditions and to observe safe practices can result in electric shock.
	Fuel and its vapors are explosive and can cause severe burns or death.
	Warning! Never point the gun to human, animals, the machine body, power supply or any electric appliances.
	Appliance not suitable for connection to the drinking water mains without backflow preventer.
	Only use cleaning deck on flat, horizontal surfaces. Never lift cleaning deck from the cleaning surface while operating the pressure washer.
	Keep hands and feet away from the cleaning deck while the pressure washer is running.

**2.9 RISK LEVELS**

The following signal words and meanings are intended to explain the levels of risk associated with this product.

SYM-BOL	SIGNAL	MEANING
	DANGER	Indicates an imminently hazardous situation, which, if not avoided, will result in death or serious injury.

SYM-BOL	SIGNAL	MEANING
	WARNING	Indicates a potentially hazardous situation, which, if not avoided, could result in death or serious injury.
	CAUTION	Indicates a potentially hazardous situation, which, if not avoided, may result in minor or moderate injury.
	CAUTION	(Without Safety Alert Symbol) Indicates a situation that may result in property damage.

**2.10 PROPOSITION 65**

**▲ WARNING**

This product contains a chemical known to the state of California to cause cancer, birth defects or other reproductive harm. Some dust created by power sanding, sawing, grinding, drilling, and other construction activities contains chemicals known to cause cancer, birth defects or other reproductive harm. Some examples of these chemicals are:

- Lead from lead-based paints;
- Crystalline silica from bricks and cement and other masonry products;
- Arsenic and chromium from chemically treated lumber.

Your risk of exposure to these chemicals varies depending on how often you do this type of work. To reduce your exposure to these chemicals, work in a well-ventilated area, and work with approved safety equipment, such as dust masks that are specially designed to filter out microscopic particles.

Save these instructions.

**3 GENERAL POWER TOOL SAFETY WARNINGS**

**▲ WARNING**

Read all safety warnings and all instructions. Failure to follow the warnings and instructions may result in electric shock, fire and/or serious injury.

Save all warnings and instructions for future reference.

The term “power tool” in the warnings refers to your battery-operated (cordless) power tool.

- Learn the machine's applications and limitations as well as the specified potential hazards related to this tool by studying this manual.
- Follow the maintenance instructions specified in this manual.

- Never operate the machine with any guard or cover removed or damaged.
- Do not operate the machine under the influence of drugs, alcohol, or any medication.
- Do not wear loose clothing, gloves, neckties, or jewellery. They can get caught and draw you into moving parts.
- Rubber gloves and non-skid footwear are recommended when working outdoors. Also wear protective hair covering to contain long hair. Wear footwear that will protect your feet and improve your grip on slippery surfaces.
- Always wear safety glasses with side shields.
- Don't overreach or stand on unstable support. Keep proper footing and balance at all times.
- Don't overtill the unit.

### ▲ WARNING

Risk of explosion – Do not spray flammable liquids.

### ▲ WARNING

Water that has flown through backflow preventers is considered to be nonpotable.

### ▲ WARNING

Do not use the appliance if a battery or important parts are damaged.

### ▲ WARNING

For battery operated machines, always turn off switch and remove the battery from the appliance when leaving the machine unattended.

### ▲ WARNING

High pressure jets can be dangerous if subject to misuse. The jet must not be directed at persons, animals, electrical devices, or the machine itself.

### ▲ WARNING

This Appliance has been designed for use with the cleaning agent supplied or recommended by the manufacturer. The use of other cleaning agents or chemicals may adversely affect the safety of the appliance.

### ▲ WARNING

Don't use the appliance within range of persons unless they wear protective clothing.

- Do not direct the jet against yourself or others in order to clean clothes or footwear.
- Remove the battery pack before carrying out user maintenance.
- To ensure appliance safety, use only original spare parts from the manufacturer or approved by the manufacturer.

### ▲ WARNING

To reduce the risk of electrocution, keep all connections dry and off the ground.

- To reduce the risk of injury, the machine shall not be used by children or untrained personnel. Keep children and visitors away. All visitors should wear safety glasses and be kept a safe distance from work area.

This appliance is not intended for use by persons (including children) with reduced physical, sensory or mental capabilities, or lack of experience and knowledge, unless they have been given supervision or instruction concerning use of the appliance by a person responsible for their safety. Children should be supervised to ensure that they do not play with the appliance.

- Use correct product. Don't force product or attachment to do a job it was not designed for. Don't use it for a purpose not intended.
- Use only recommended accessories. The use of improper accessories may cause risk of injury.
- Never leave product running unattended. Turn power off. Don't leave product until it comes to a complete stop.
- Keep the motor free of grass, leaves, or grease to reduce the chance of a fire hazard.
- Keep product dry, clean, and free from oil and grease. Always use a clean cloth when cleaning. Never use brake fluids, gasoline, petroleum-based products, or any solvents to clean product.
- Check the work area before each use. Remove all objects such as rocks, broken glass, nails, wire, or string which can be thrown or become entangled in the machine.
- Do not use product if switch does not turn it off. Have defective switches replaced by an authorized service centre.
- Avoid dangerous environments. Don't expose to rain. Keep work area well lit.
- Before starting any cleaning operation, close doors and windows. Clear the area to be cleaned of debris, toys, outdoor furniture, or other objects that could create a hazard.
- Keep the motor away from flammables and other hazardous materials.
- Check bolts and nuts for looseness before each use. A loose bolt or nut may cause serious motor problems.
- Before storing, allow the motor to cool.
- When servicing use only identical replacement parts. Use of any other parts may create a hazard or cause product damage.
- ONLY use cold water.
- Make sure minimum clearance of 3 feet (1 meter) is maintained from combustible materials.
- Hold the gun and lance securely with both hands.
- Expect the gun to move when the trigger is pulled due to reaction forces. Failure to do so could cause loss of control and injury to yourself and others.

- Prevent unintentional starting. Ensure the switch is in the off-position before connecting to battery pack, picking up or carrying the appliance. Carrying the appliance with your finger on the switch or energizing appliance that have the switch on invites accidents.
- Disconnect the battery pack from the appliance before making any adjustments, changing accessories, or storing appliance. Such preventive safety measures reduce the risk of starting the appliance accidentally
- For use only with charger.
- For use only with battery.
- When battery pack is not in use, keep it away from other metal objects, like paper clips, coins, keys, nails, screws or other small metal objects, that can make a connection from one terminal to another. Shorting the battery terminals together may cause burns or a fire.
- Do not use a battery pack or appliance that is damaged or modified. Damaged or modified batteries may exhibit unpredictable behavior resulting in fire, explosion or risk of injury.
- Do not expose a battery pack or appliance to fire or excessive temperature. Exposure to fire or temperature above 265°F (130°C) may cause explosion.
- Follow all charging instructions and do not charge the battery pack or appliance outside of the temperature range specified in the instructions. Charging improperly or at temperatures outside of the specified range may damage the battery and increase the risk of fire.
- Have servicing performed by a qualified repair person using only identical replacement parts. This will ensure that the safety of the product is maintained.
- Do not modify or attempt to repair the appliance or the battery pack (as applicable) except as indicated in the instructions for use and care.
- Recharge only with the charger specified by the manufacturer. A charger that is suitable for one type of battery pack may create a risk of fire when used with another battery pack.
- Use appliances only with specially designated battery packs. Use of any other battery packs may create a risk of injury and fire
- The recommended ambient temperature range:

Item	Temperature
Appliance storage temperature range	-4°F (-20°C) - 158°F (70°C)
Appliance operation temperature range	32°F (0°C) - 104°F (40°C)
Battery charging temperature range	39°F (4°C) - 113°F (40°C)
Charger operation temperature range	39°F (4°C) - 113°F (40°C)

Battery storage temperature range	1 year: 32°F (0°C) - 73°F (23°C)
	3 months: 32°F (0°C) - 113°F (45°C)
	1 months: 32°F (0°C) - 140°F (60°C)
Battery discharging temperature range	6.8°F (-14°C) - 113°F (45°C)





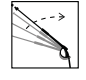


- Save these instructions. Refer to them frequently and use them to instruct other users. If you lend someone this product, lend them these instructions also.





### ▲ WARNING

High pressure hoses, fittings and couplings are important for the safety of the appliance. Use only hoses, fittings and couplings recommended by the manufacturer.

## 3.1 SYMBOLS ON THE PRODUCT




Some of the following symbols may be used on this tool. Please study them and learn their meaning. Proper interpretation of these symbols will allow you to operate the tool better and safer.

Symbol	Explanation
	To reduce the risk of injury, user must read and understand operator's manual before using this product.
	Do not expose the product to rain or moist conditions.
	Always wear safety goggles or safety glasses with side shields and, as necessary, a full face shield when operating this product.
	To reduce the risk of injection or injury, never direct a water stream towards people or pets or place any body part in the stream. Leaking hoses and fittings are also capable of causing injection injury. Do not hold hoses or fittings.
	To reduce the risk of injury from kickback, hold the spray lance securely with both hands when the machine is on.
	Failure to use in dry conditions and to observe safe practices can result in electric shock.
	Fuel and its vapors are explosive and can cause severe burns or death.



Symbol	Explanation
	Warning! Never point the gun to human, animals, the machine body, power supply or any electric appliances.
	Appliance not suitable for connection to the drinking water mains without backflow preventer.
	Only use cleaning deck on flat, horizontal surfaces. Never lift cleaning deck from the cleaning surface while operating the pressure washer.
	Keep hands and feet away from the cleaning deck while the pressure washer is running.


### 3.2 RISK LEVELS

The following signal words and meanings are intended to explain the levels of risk associated with this product.

SYMBOL	SIGNAL	MEANING
	DANGER	Indicates an imminently hazardous situation, which, if not avoided, will result in death or serious injury.
	WARNING	Indicates a potentially hazardous situation, which, if not avoided, could result in death or serious injury.
	CAUTION	Indicates a potentially hazardous situation, which, if not avoided, may result in minor or moderate injury.
	CAUTION	(Without Safety Alert Symbol) Indicates a situation that may result in property damage.

### 3.3 RECYCLE

	Separate collection. You must not discard with usual household waste. If it is necessary to replace the machine, or if it is no more use to you, do not discard it with household waste. Make this machine available for separate collection.
	Separate collection of used machine and packaging let you recycle materials and use them again. Use of the recycled materials helps prevent environmental pollution and decreases the requirements for raw materials.

	At the end of their useful life, discard batteries with a precaution for our environment. The battery contains material that is dangerous to you and the environment. You must remove and discard these materials separately at a equipment that accepts lithium-ion batteries.
-----------------------------------------------------------------------------------	---------------------------------------------------------------------------------------------------------------------------------------------------------------------------------------------------------------------------------------------------------------------------------

### 3.4 PROPOSITION 65

**▲ WARNING**

This product contains a chemical known to the state of California to cause cancer, birth defects or other reproductive harm. Some dust created by power sanding, sawing, grinding, drilling, and other construction activities contains chemicals known to cause cancer, birth defects or other reproductive harm. Some examples of these chemicals are:

- Lead from lead-based paints;
- Crystalline silica from bricks and cement and other masonry products;
- Arsenic and chromium from chemically treated lumber.

Your risk of exposure to these chemicals varies depending on how often you do this type of work. To reduce your exposure to these chemicals, work in a well-ventilated area, and work with approved safety equipment, such as dust masks that are specially designed to filter out microscopic particles.

Save these instructions.

## 4 INSTALLATION

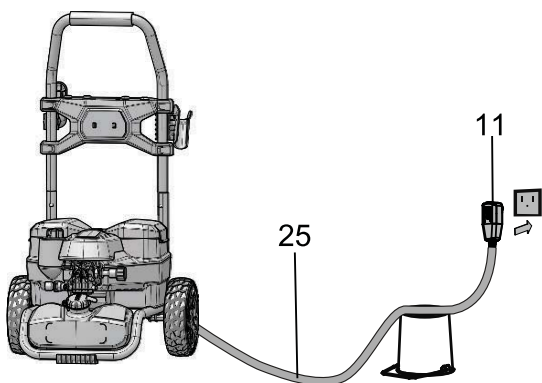
### 4.1 ELECTRICAL CONNECTION

This machine has a precisely built electrical motor. It should be connected to a power supply that is 120V, 60 Hz, AC only (household). Do not operate this machine on direct current (DC). A considerable voltage drop will cause a loss of power and the motor will be overheated.

#### 4.1.1 PREPARE A DRIP LOOP

Recommend the use of a drip loop as below so the water can not run along the power cord even possibly reach the electrical outlet and plug.





**▲ WARNING**  
 Keep the extension cord clear of the working area. Position the cord so that it will not get caught on lumber, tools, or other obstructions while you are working with a power tool. Failure to do so can result in serious personal injury.

**▲ WARNING**  
 Don't place the battery packs in the battery compartments when the power cord is connected. And set the power switch to the "Cordless" position.

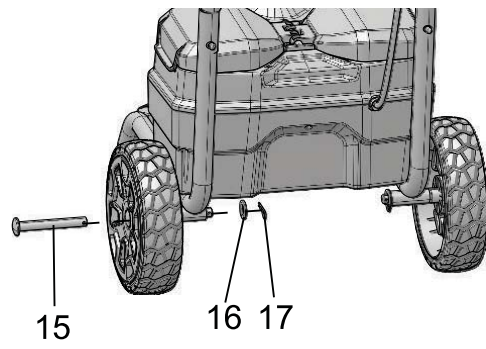
**4.2 UNPACK THE MACHINE**

**▲ WARNING**  
 Make sure that you correctly assemble the machine before use.

- ▲ WARNING**
- If the parts are damaged, do not use the machine.
  - If you do not have all the parts, do not operate the machine.
  - If the parts are damaged or missing, speak to the service center.

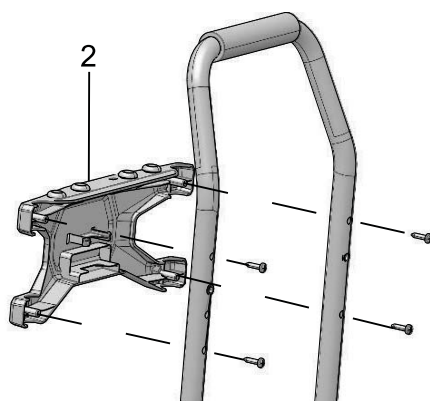
1. Open the package.
2. Read the documentation in the box.
3. Remove all the unassembled parts from the box.
4. Remove the machine from the box.
5. Discard the box and package in compliance with local regulations.

**4.3 INSTALL THE WHEELS**



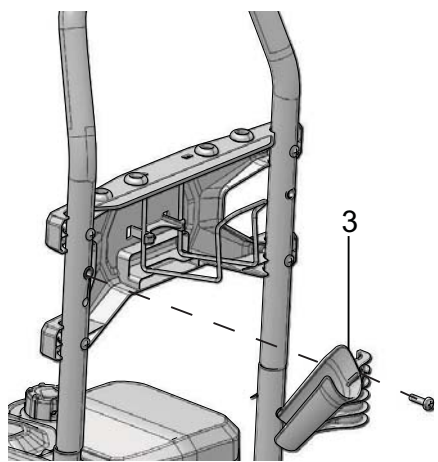
1. Put an axle (15) through the wheel and handle frame.
2. Attach a washer (16) to the axle (15).
3. Put a cotter pin (17) through the hole of the axle (15).

**4.4 INSTALL THE UPPER PANEL**



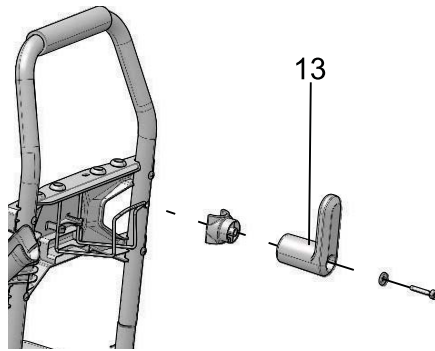
1. Align the screw sleeves of the upper panel (2) with the screw holes on the upper handle.
2. Tighten them with a Phillips screwdriver (not included).

**4.5 INSTALL THE SPRAY GUN HOLDER**



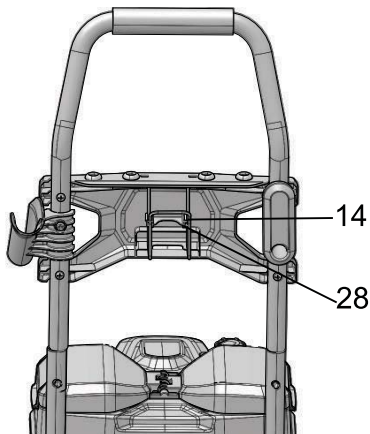
1. Align the screw sleeves of the spray gun holder (3) with the screw holes on the upper handle.
2. Tighten them with a Phillips screwdriver (not included).

#### 4.6 INSTALL THE POWER CORD STORAGE ARMS



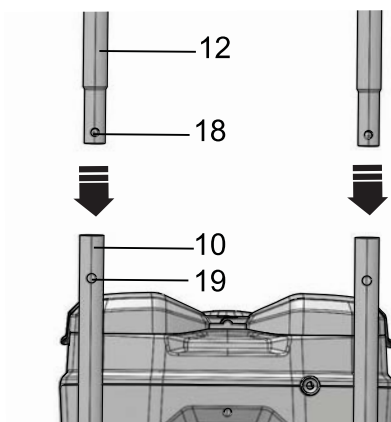
1. Attach the power cord storage arm (13) onto the fixture.
2. Align the screw with the hole in the power cord storage arm (13).
3. Push the screw through and tighten it with a Phillips head screw driver (not included).

#### 4.7 INSTALL THE HOSE HOOK



1. Push the hose hook (14) ends into the clips (28) behind the upper panel tightly.

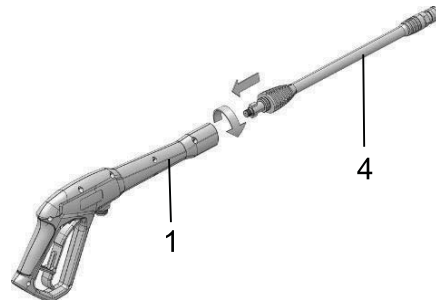
#### 4.8 INSTALL THE UPPER HANDLE



1. Push and hold the handle lock button (18) on the upper handle (12).

2. Move the upper handle (12) into the lower handle (10) until the handle lock button (18) clicks through the slot (19).

#### 4.9 INSTALL THE SPRAY WAND

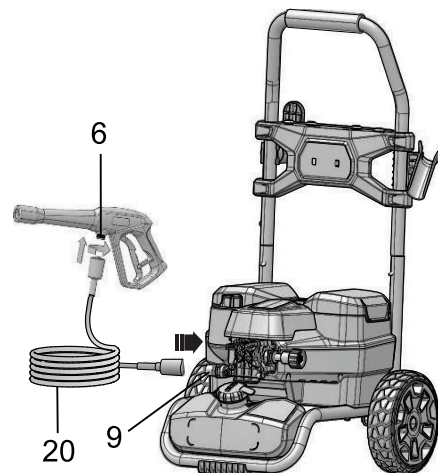


1. Push the end of the spray wand (4) into the trigger handle (1) and rotate clockwise to secure.
2. Pull on the spray wand (4) to be certain it is properly secured.

#### ▲ WARNING

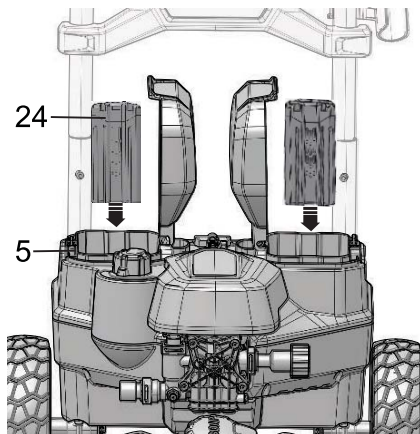
Make sure that the connection has no leakage.

#### 4.10 INSTALL THE HIGH PRESSURE HOSE



1. Push and turn clockwise one end of the high pressure hose (20) into the inlet coupler (6).
2. Install and tighten the other end of the high pressure hose onto the water outlet (9) coupler.

## 4.11 INSTALL THE BATTERY PACK



### ▲ WARNING

This machine works only if two battery packs are placed in the battery compartment at the same time.

### ▲ WARNING

Don't connect the power cord when the battery packs are working. And set the power switch (30) to the "Corded" position.

### ▲ WARNING

- If the battery pack or charger is damaged, replace the battery pack or the charger.
- Stop the machine and wait until the engine stops before you install or remove the battery pack.
- Read, know, and follow the instructions in the battery and charger manual.

1. Open the battery door.
2. Align the ribs on the battery pack (24) with the grooves in the battery compartment (5).
3. Push the battery pack (24) into the battery compartment until the battery pack (24) locks into place.
4. When you hear a click, the battery pack (24) is installed.
5. Close the battery door.

## 5 OPERATION

### ▲ WARNING

Make sure that all the connections are tight and have no leakage before operation.

### 5.1 CONNECT THE WATER SUPPLY TO THE MACHINE

For easy operation, please use a self-coiling garden hose (not provided).

### ▲ WARNING

When you operate the self-coiling hose, make sure that the hose has no blockage.

### ▲ WARNING

- The water supply must come from the water main
- Do not use hot water
- Do not use water from ponds or lakes

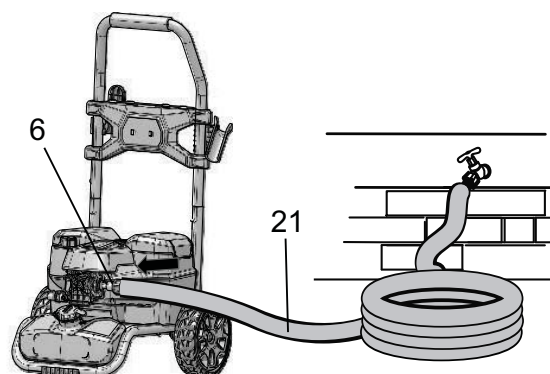
### ▲ WARNING

Always observe all the local regulations when you connect the garden hose to the water supply. Direct connection through a receiver tank or backflow preventer is usually permitted.

### ▲ CAUTION

Inspect the filter in the water inlet connector before you connect the garden hose

- If the filter is damaged, do not use the machine until the filter is replaced.
- If the filter is dirty, clean the filter.

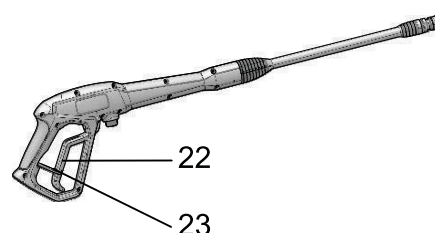


1. Uncoil the garden hose (21).
2. Let the water flow through the garden hose (21) for 30 seconds.
3. Turn the water supply off.
4. Install and tighten the end of the garden hose (21) to the water inlet (6) connector.

### ▲ CAUTION

There must be a minimum of 10 feet of free hose between the water inlet and the water supply.

### 5.2 USE THE SPRAY GUN



**▲ WARNING**

For safe control, keep your hands on the spray gun at all times.

- Pull and hold the spray gun trigger (22) to start the machine.
- Release the spray gun trigger (22) to stop water flow through the spray tip.

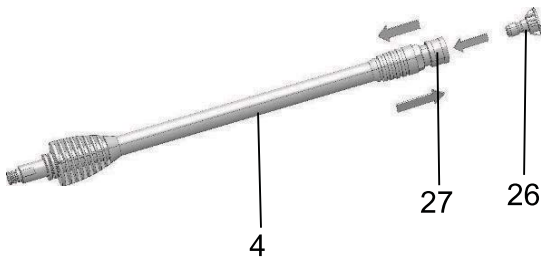
**5.2.1 UNLOCK THE SPRAY GUN TRIGGER**

- Push the trigger safety lock-out (23) down until it clicks into the slot.

**5.2.2 LOCK THE SPRAY GUN TRIGGER**

- Push the trigger safety lock-out (23) up and into its original position.

**5.3 CHANGE THE SPRAY TIP**



**▲ WARNING**


Before you change the spray tip:




1. Pull the spray gun trigger to release water pressure.
2. Engage the trigger safety lock-out on the spray gun.
3. Stop the machine.

**▲ WARNING**

Do not point the spray wand at your face or others'.

**5.3.1 NOZZLE TYPE**

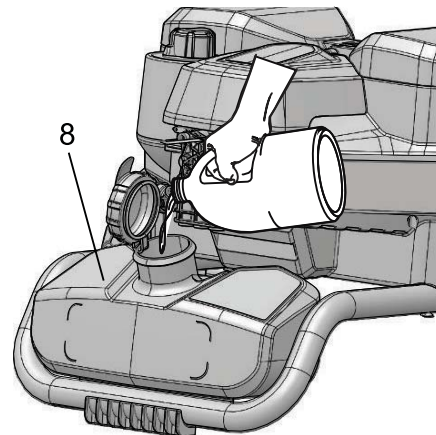
SPRAY TIP	APPLICATION
 <p><b>25°</b></p>	<p><b>Green - Narrow fan tip (25°)</b></p> <ul style="list-style-type: none"> <li>• The green pressure washer tip provides high versatility with its 25 degree angle tip. Referred to as the washing tip, because it provides adequate pressure to remove dirt from surfaces, but is designed to not damage many surfaces. This pressure washer tip is designed for “sweeping” foliage or debris given its wide angle. This tip is versatile due to its wide area of cleaning and strong pressure application.</li> </ul>

SPRAY TIP	APPLICATION
 <p><b>40°</b></p>	<p><b>White - Wide fan tip (40°)</b></p> <ul style="list-style-type: none"> <li>• The white 40 degree tip, referred to as the “fan” tip creates the widest area of cleaning with relatively low pressure. This pressure washer tip is best used for light or delicate cleaning applications. It is recommended for light cleaning on wood decks and other soft or delicate surfaces.</li> </ul>
 <p><b>SOAP</b></p>	<p><b>Black - Soap spray tip</b></p> <ul style="list-style-type: none"> <li>• The black soap spray tip, is used for soap application. Soap is applied under low pressure high volume for optimum performance. Soap cannot be applied under high pressure with this machine.</li> </ul>
	<p><b>Turbo Nozzle Tip</b></p> <ul style="list-style-type: none"> <li>• The nozzle rotates in a zero to 15 degree spray pattern in a circular motion to break down tough dirt and grime. The spray pattern can cover area of 4 to 8 inches wide, depending on a distance between the tip and the surface being cleaned.</li> </ul>

**5.3.2 INSTALL THE SPRAY TIP**

1. Pull back the quick-connect collar (27) on the spray wand (4).
2. Insert the spray tip (26) onto the spray wand (4).
3. Release the quick-connect collar (27) to attach the spray tip (26).
4. Pull on spray tip (26) to ensure it is properly installed and does not pull out.

**5.4 ADD DETERGENT**



**▲ WARNING**

Do not use household detergents, acids, alkalines, bleaches, solvents, flammable material, or industrial grade solutions, which can do damage to the pump.

**▲ WARNING**

Read the instructions on the solution bottle to prepare detergent.

**i NOTE**

If it is necessary, use a funnel to prevent the spill of detergent. Clean and dry the spilled detergent when you fill the tank.

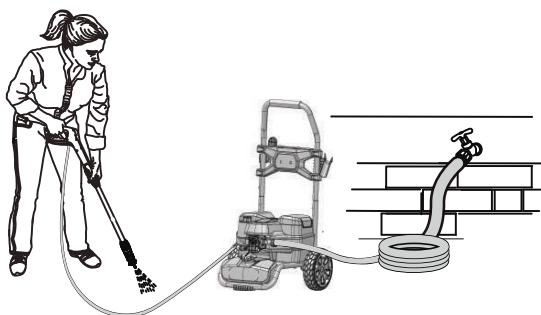
**i NOTE**

Soap/detergent can only be applied with this machine when the black nozzle(75 degree) is installed.

1. Place the pressure washer upright on a flat surface.
2. Open the cap on the detergent tank (8).
3. Pour detergent into tank (8).
4. Reinstall cap.

**i NOTE**

Do not let detergent dry on the surface to prevent streaks.

**5.5 START THE MACHINE****▲ CAUTION**

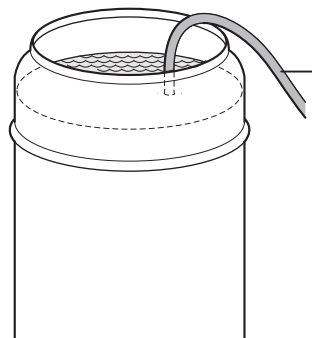
Do not operate without the water supply connected.

**▲ CAUTION**

Before you start the machine:

1. Turn the water supply on.
  2. Pull the gun trigger to release air pressure.
  3. If a stable stream of water come into view, release the spray gun trigger.
1. Connect the machine to the power supply, and set the power switch to the "AC" position;
  2. Or place the battery packs in the battery compartments, and set the power switch to the "DC" position.

3. Pull the spray gun trigger.

**5.6 USE THE MACHINE IN SUCTION MODE**

If the machine is used in suction mode, do the below instructions:

**i NOTE**

The pressure washer can absorb water from water butts and cisterns and from flushing or stagnant bodies of water.

1. Remove the gun from the high pressure hose.
2. Start the machine.
3. If a stable stream of water comes out from the high pressure hose, stop the machine.
4. Install the spray attachment.
5. Pull the gun trigger to release air pressure.
6. Start the machine.

**5.7 STOP THE MACHINE**

1. Release the gun trigger.
2. Set the power switch to the "OFF" (O) position.

**▲ WARNING**

If you do not use the machine :

- Stop the machine.
- Turn the water supply off.
- Remove the battery pack.
- Pull the gun trigger to release the remaining pressure from the machine.
- Lock the trigger safety button.

**6 MAINTENANCE****▲ WARNING**

Before maintenance, make sure that you

- Stop the machine.
- Wait until all the moving parts stop.
- Disconnect the plug from the power source.

**▲ WARNING**

Do not use strong solvents or detergents on the plastic housing or components.

**▲ WARNING**

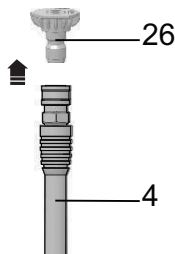
Do not let brake fluids, gasoline, petroleum-based materials touch the plastic parts. Chemicals can cause damage to the plastic, and make the plastic unserviceable.

**▲ WARNING**

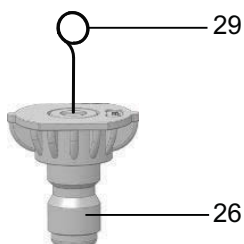
Replace the power cord by an approved service center.

**6.1 SPRAY TIP MAINTENANCE****▲ WARNING**

Never point the spray wand at your face.

**6.1.1 REMOVE THE SPRAY TIP**

1. Pull back the quick-connect collar (27) on the spray wand (4).
2. Remove the spray tip (26) from the spray wand (4).

**6.1.2 CLEAN THE SPRAY TIP**

1. Use a straight paper clip or cleaning tool (29) to clean the spray tip.
2. Flush and clean the unwanted materials out of the spray tip (26) with the garden hose (21).
3. Install the clean spray tip (26) back into the spray wand (4).

**7 TRANSPORTATION AND STORAGE****▲ WARNING**

Disconnect the power cord and water supply hose before transportation and storage.

**7.1 MOVE THE MACHINE**

- Point the spray wand in a safe direction.
- Only hold the machine with the handgrip.

**7.2 STORE THE MACHINE****▲ WARNING**

Make sure that the spray gun, the high pressure hose and the pump are dry.

**▲ WARNING**

Make sure the machine is out of the reach of children.

**i NOTE**

Use a recommended pump protector to prevent cold weather damage during storage in winter.

- Disconnect the garden hose from machine.
- Wind the power cord and the high pressure hose.
- Clean housing and the plastic components with a moist and soft cloth.
- Make sure that the machine does not have loose or damaged parts. If it is necessary, follow these steps/instructions:
  - Replace the damaged parts.
  - Tighten the bolts.
  - If needed, call the customer service phone number (enter number here) for servicing instructions.
- Store the machine in a dry, isolated and frost-free area.

### 8 TROUBLESHOOTING


PROBLEM	POSSIBLE CAUSE	SOLUTION
The motor does not start.	The power button is in the "OFF" (O) position.	Set the power switch to the "Corded" or "Cordless" position.
	The power cord is not plugged in.	Connect the power cord to the power supply.
	Electrical outlet does not supply sufficient power.	Try another electrical outlet.
	You do not install the battery pack	Install two battery packs with full power.
	The circuit breaker is tripped.	Let it cool, and start the machine again.
	The power switch is on, but you do not pull the spray gun trigger.	Pull the spray gun trigger.
The machine does not reach high pressure.	The diameter of garden hose is too small.	Replace with a 1" (25 mm) or 5/8" (16 mm) garden hose.
	Water supply is restricted.	Check garden hose for kinks, leaks, and blockage.
	The water supply is not sufficient.	Open the water supply fully.
	Spray tip has not be installed onto the spray wand properly.	Install desired spray tip to end of wand.
	The water intake filter is clogged.	Remove filter and rinse in warm water.

PROBLEM	POSSIBLE CAUSE	SOLUTION
The output pressure varies high and low.	The water supply is not sufficient.	Open water supply fully. Check garden hose for kinks, leaks, or blockage.
	The pump is drawing in air.	<ol style="list-style-type: none"> <li>1. Make sure that the hoses and fitting are airtight.</li> <li>2. Turn "OFF" machine.</li> <li>3. Purge pump by squeezing trigger gun until a steady flow of water comes out the spray tip.</li> </ol>
	The water intake filter is clogged.	Remove the filter and Rinse in warm water.
	The supply voltage is low.	Make sure that only the pressure washer is running on the circuit.
	The battery pack is out of power.	Charge the battery pack.
	The gun, hose or nozzle are calcified.	Run distilled vinegar through detergent tank.

PROBLEM	POSSIBLE CAUSE	SOLUTION
The motor buzzes, but the machine does not start.	The supply voltage is low.	Make sure that only the pressure washer is running on the circuit.
	The battery pack is out of power.	Charge the battery pack.
	The pump system has residual pressure.	<ol style="list-style-type: none"> <li>1. Turn "OFF" the machine.</li> <li>2. Pull the spray gun trigger on spray wand to release pressure.</li> <li>3. Turn the machine "ON".</li> </ol>
	Voltage loss due to use of an improper extension cord.	Disconnect the extension cord, and connect the machine directly into the outlet.
	Pressure washer not used for long periods.	Call customer service.
	Residual friction among components. Unit might emit a humming noise.	<ol style="list-style-type: none"> <li>1. Disconnect the water supply.</li> <li>2. Power "ON" the machine for 2 to 3 seconds.</li> <li>3. Repeat the above step a couple of times or until the motor starts.</li> </ol>
There is no water.	The water supply is off.	Turn the water supply on.
	The garden hose is kinked..	Remove kink in garden hose.

## 9 TECHNICAL DATA

Universal Motor	AC: 120V~ 60 Hz, 14 Amps/ DC: 60V
Max. Pounds Per Square Inch Pressure	AC: 1800 PSI/ DC: 1400 PSI
Rated Gallons Per Minute	AC: 1.1 GPM/ DC: 1.1 GPM
Maximum Inlet Water Temperature	104 °F (40 °C)

Cleaning Units	2160 C.U.
Weight	XXX lbs. (XXX kg)
Battery Mode	LB605
Charge Mode	CAC801/2936902
	Double-insulated construction.

## 10 LIMITED WARRANTY



Greenworks hereby warrants this product, to the original purchaser with proof of purchase, for a period of four (4) years against defects in materials, parts or workmanship. Greenworks, at its own discretion will repair or replace any and all parts found to be defective, through normal use, free of charge to the customer. This warranty is valid only for units which have been used for personal use that have not been hired or rented for industrial/commercial use, and that have been maintained in accordance with the instructions in the owners' manual supplied with the product from new.

### ITEMS NOT COVERED BY WARRANTY:

1. Any part that has become inoperative due to misuse, commercial use, abuse, neglect, accident, improper maintenance, or alteration; or
2. The unit, if it has not been operated and/or maintained in accordance with the owner's manual; or
3. Normal wear, except as noted below;
4. Routine maintenance items such as lubricants, blade sharpening;
5. Normal deterioration of the exterior finish due to use or exposure.

### HELPLINE:

Warranty service is available by calling our toll-free helpline, at 1-855-345-3934.

### TRANSPORTATION CHARGES:

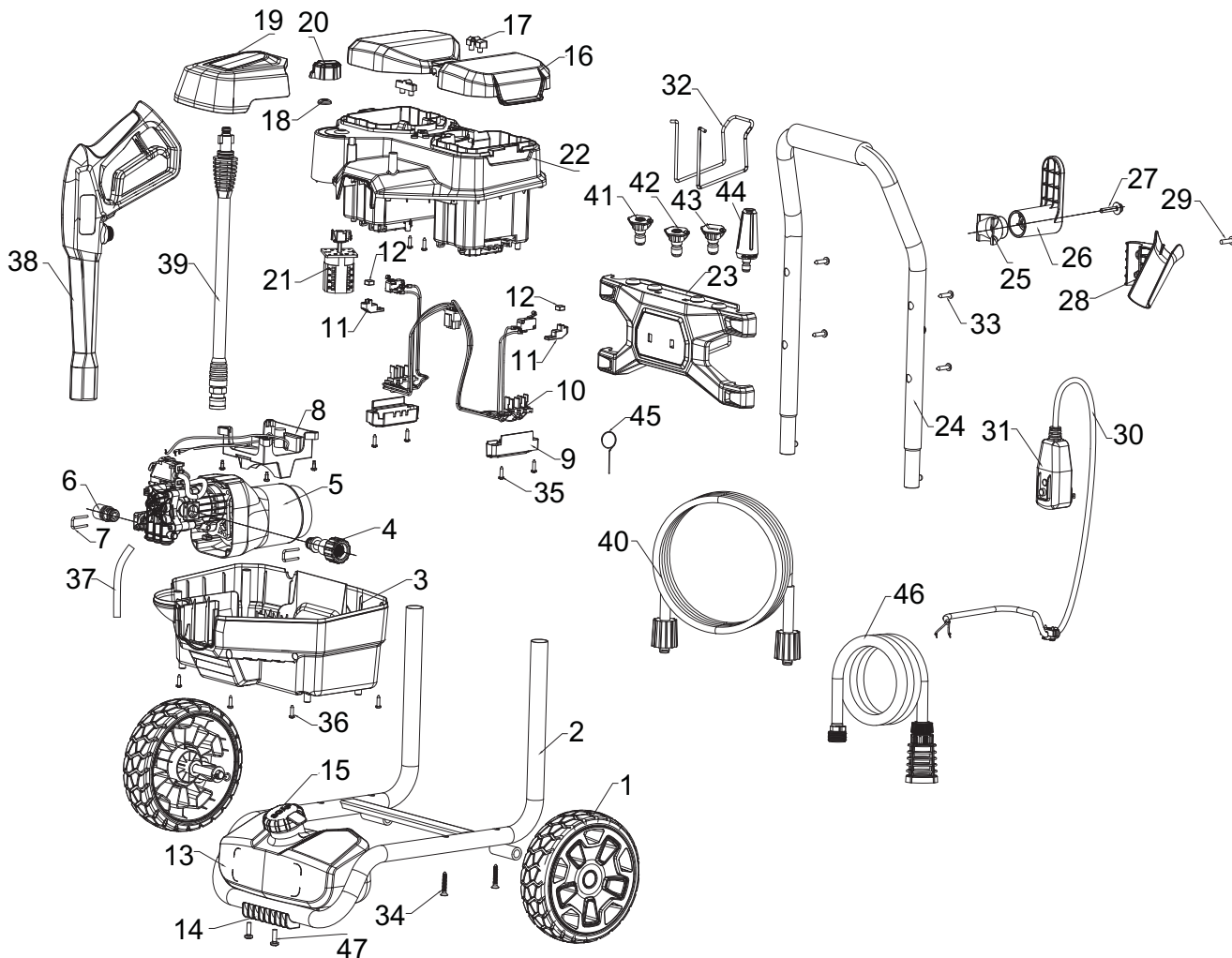
Transportation charges for the movement of any power equipment unit or attachment are the responsibility of the purchaser. It is the purchaser's responsibility to pay transportation charges for any part submitted for replacement under this warranty unless such return is requested in writing by Greenworks.



USA ADDRESS:

Greenworks Tools  
 P.O. Box 1238  
 Mooresville, NC 28115

11 EXPLODED VIEW



ITEM NO.	PART NO.	DESCRIPTION	QTY
1	C1102637-00	Wheel Assembly	2
2	C1102636-00	Lower Bracket Assembly	1
3	C4101131-00	Lower Housing	1
4	311231635	Water Inlet Connector Assembly	1
5	C1102516-00	Motor Pump Assembly	1
6	C1102650-00	Water Outlet Connector Assembly	1
7	33307671	U-shaped Pin	2
8	T0400191-00	PCBA (Pressure Washer )	1
9	C4101138-00	Terminal Retaining Plate	2

10	C1102639-00	Terminal Assembly	1
11	C4101136-00	Retaining Plate	2
12	C3900048-00	Magnet	2
13	341073613	Detergent Tank	1
14	341201936	Foot Pad	1
15	342011635	Detergent Tank Cover	1
16	C1102603-00	Battery Cover Assembly	1
17	C4101139-00	Fixed Block	2
18	C4200095-00	Sealing Gasket	1
19	C4101133-00	Decorative Plate	1
20	C4101351-00	Main Switch Konb	1
21	C6200025-00	Special-use Switch	1
22	C3400044-00	Housing Assembly	1
23	311033613	Nozzle Storage Panel	1
24	C1102752-00	Lever assy	1
25	341111635	Power Cord Arm Retainer	1
26	341013231	Power Cord Arm	1
27	322351635	Screw	1
28	341063613	Gun Hook	1
29	322011635	Screws	1
30	C6300108-00	Power Cords	1
31	36305847	GFCI	1
32	333011936	High Pressure Hose Holder	1
33	322011628	Screws	4
34	S0100061-00	Screws	4
35	32213365	Screws	4
36	322031635	Screws	13
37	34900365	Suction Hose	1
38	C1101896-00	Trigger Gun Handle	1
39	31115661	Gun Wand	1
40	31103973	High Pressure Hose	1
41	312253613	Spray tip	1
42	312401858	Spray tip	1
43	34139319	Soap Spray tip	1
44	31208363	Turbo	1
45	33201671	Cleaning Tool	1
46	C1102659-00	Water Inlet Hose Assembly	1
47	322011635	Screws	4