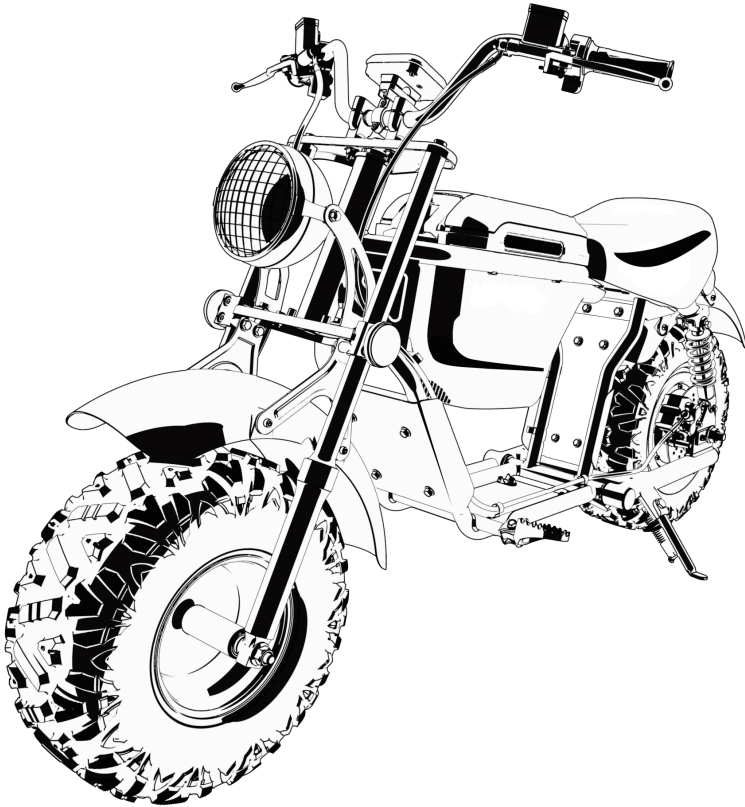


greenworks®

60MBL520

EN	MINI BIKE	OPERATOR MANUAL
FR	MINI-MOTO	MANUEL D'OPÉRATEUR
ES	MINIMOTO	MANUAL DEL OPERADOR



OVC912

www.greenworkstools.com

1	Introduction.....	2	4.6	Stop the product.....	12
1.1	Product description.....	2	5	SMARTg home application.....	12
1.2	Intended use.....	2	5.1	Setup.....	12
1.3	Overview.....	2	6	Maintenance.....	12
1.4	Symbols on the product.....	4	6.1	Clean the product.....	12
1.5	California Proposition 65.....	4	6.2	Clean the battery and battery charger.....	13
2	Safety.....	4	6.3	Examine the battery and the battery charger.....	13
2.1	Safety definitions.....	4	7	Transportation, storage and disposal.....	13
2.2	Important safety instructions.....	5	7.1	Transportation.....	13
2.3	FCC Requirement.....	7	7.2	Storage.....	13
3	Assembly.....	7	7.3	Disposal of the battery, battery charger, and product.....	13
3.1	Install the handlebars and display panel....	7	8	Error codes.....	14
3.2	Inflate the tires.....	8	9	Technical data.....	14
4	Operation.....	8	10	Limited warranty.....	15
4.1	Before you ride.....	9			
4.2	Start the product.....	10			
4.3	Adjust the headlight.....	11			
4.4	Ride uphill/downhill.....	11			
4.5	Speaker function.....	12			

1 INTRODUCTION

1.1 PRODUCT DESCRIPTION

This product is a battery-operated mini bike with an electrical motor.

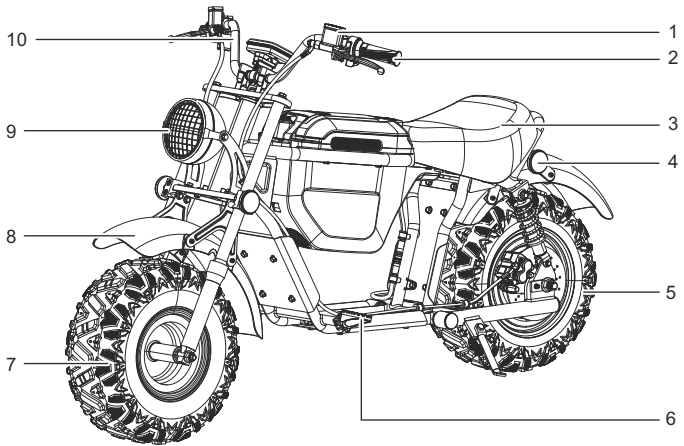
We have a policy of continuous product development and therefore reserve the right to modify the design and the appearance of the products without prior notice.

1.2 INTENDED USE

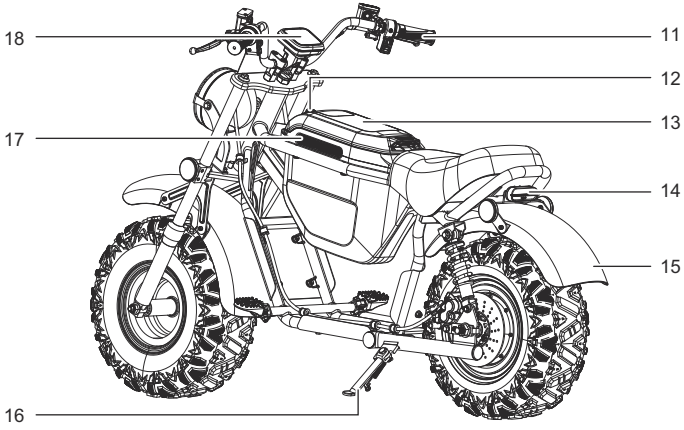
This is a recreational vehicle for riding offroad.

1.3 OVERVIEW

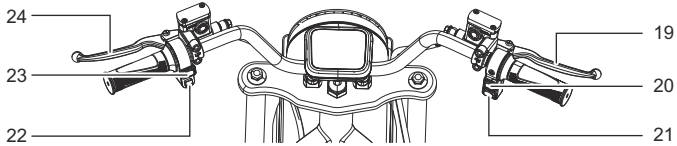
1.3.1 EXTERIOR OVERVIEW



- | | | | |
|---|-----------------------|----|--------------------|
| 1 | Brake fluid reservoir | 6 | Foldable foot rest |
| 2 | Left hand grip | 7 | Front wheel |
| 3 | Saddle | 8 | Front fender |
| 4 | Side reflector | 9 | Headlight |
| 5 | Drive wheel | 10 | Handlebar |

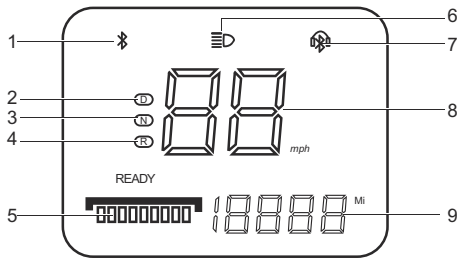


- | | | | |
|----|---------------------|----|-------------|
| 11 | Throttle | 15 | Rear fender |
| 12 | Power button | 16 | Kickstand |
| 13 | Battery compartment | 17 | Speaker |
| 14 | Tail light | 18 | LED Display |












- | | | | |
|----|--------------------------|----|------------------|
| 19 | Front brake lever | 22 | Horn button |
| 20 | Speed switch | 23 | Light switch |
| 21 | Direction control switch | 24 | Rear brake lever |

1.3.2 LED DISPLAY



- | | | | |
|---|-------------------------|---|---|
| 1 | Bluetooth | 6 | Headlight |
| 2 | Drive mode | 7 | Bluetooth speaker |
| 3 | Neutral mode | 8 | Speed |
| 4 | Reverse mode | 9 | Trip distance/Total distance/Error code |
| 5 | Battery level indicator | | |

1.4 SYMBOLS ON THE PRODUCT

Symbol	Explanation
IPX4	Waterproof level.
	Direct current
	Important safety precautions.
	Carefully read and understand instructions before operating the product and follow all warnings and safety instructions.
	Warning. Electric shock hazard.
	Do not allow individuals under the age of 16 to operate this product. The operation by individuals under the age of 16 significantly increases the risk of severe injury or death.
	Do not ride with a passenger. Passengers may lead to loss of control, resulting in severe injury or death.
	Always use an approved helmet and protective gear.
	Never use on public roads.
	Never use with drugs, medication, alcohol, or other substances.

1.5 CALIFORNIA PROPOSITION 65

▲ WARNING

This product contains or emits a chemical known to the State of California to cause cancer or birth defects or other reproductive harm.

2 SAFETY

2.1 SAFETY DEFINITIONS

Warnings, cautions, and notes are used to point out especially important parts of the manual.

▲ WARNING

Used if there is a risk of injury or death for the operator or bystanders, if the instructions in the manual are not obeyed.

▲ CAUTION

Used if there is a risk of damage to the product, other materials, or the adjacent area, if the instructions in the manual are not obeyed.

Note: Used to give more information that is necessary in a given situation.

2.2 IMPORTANT SAFETY INSTRUCTIONS

To reduce the risk of injury from loss of control, collisions, and falls, please read and follow all "CAUTION" and "⚠WARNING" notices. Please understand that you can reduce the risk by following the instructions and warnings in this manual. Please use common sense when riding.

- It is the rider's responsibility to follow all laws and regulations and abide by relevant laws and traffic regulations. ONLY ride on the roads as permitted by law.
- In order to master riding skills, the rider needs to practice. Practice with caution to avoid sudden falls or collisions that cause injury to the user or third parties. DO NOT allow people unfamiliar with proper operation to ride the product. Greenworks is not responsible for any injuries, damages or legal disputes caused by a rider's inexperience or failure to follow the instructions in this manual.
- For your safety, DO NOT modify the product or change parts without professional assistance. Use only Greenworks approved parts and accessories. Modifications to the product could interfere with its operations, result in serious injury and/or void the Limited Warranty.
- If the product makes an abnormal sound or displays an error code, stop riding immediately.
- Do not allow anyone to ride the product on their own unless they have carefully read this manual. Assist new riders until they are comfortable with the basic operation of this product.
- Do not exceed the total weight limit of 220 lbs (100 kg) – including backpacks and other items that might be carried. Exceeding the weight limit could injure the rider and/or damage the product.
- Do not allow individuals under the age of 16 to operate this product. The operation of this product by individuals under the age of 16 significantly increases the risk of severe injury or death. Keep this product away from small children.
- Do not park this product in no-parking zones, such as an emergency exit, building lobbies or fire escapes.
- Prolonged exposure to UV rays, rain and the elements may damage the enclosure materials. Store indoors when not in use.

Riding Surfaces and Environment:

- Use caution when riding on uneven and/or poor road conditions. Riding at a high speed to cross over obstacles, on uneven ground, slippery surfaces, loose terrain, steep slopes, or sharp turns, can lead to falls, collisions, or even death.
- Avoid riding in bad weather such as during heavy rain or storm. Riding in bad weather negatively impacts traction and braking distance. For your safety, use extreme caution when in operation. Drive slowly and brake early to reduce the loss of control and falls.
- Riding at night or during low-visibility conditions increases the risk of accident or injury, and is not advised. The use of lights and additional measures to increase rider visibility and product conspicuity are advised.
- Do not use the product at elevations greater than 6,500 ft above sea level. This product is not intended for use in high altitudes.

Who Should Not Ride:

Never allow more than one person at a time to ride this product. People in the following groups should not ride this product:

1. Anyone under the influence of drugs, medication, alcohol, or other substances.
2. Anyone with a condition that advises against engaging in strenuous physical activity.
3. Anyone whose age and weight is outside the stated limits (See **Technical data**).
4. Anyone who is extremely fatigued, or has balancing issues.
5. Anyone with any health or physical disabilities and/or impairments, limitation, and conditions which could limit them from proper operation.

Preparations before Riding:

- Ensure proper assembly before each use.
- Make sure that you correctly assemble the product before its use. If parts of the product are damaged or missing, do not use the product. Contact the service center.
- Check to confirm that covers and guards are in place and in serviceable condition.
- Make sure there are no loose fasteners and damaged parts.
- Check the status of the power supply circuit, lighting, LED display, etc. and make sure they are working normally.

- The brake should function properly and the brake cables should be in good condition.
- Make sure the handlebars are stable, and that the front and rear wheels are not shaky or loose.
- Make sure the reflectors are not damaged or dirty.
- Make sure to wear a helmet and other protective gear.
- Do not carry heavy cargo.
- When the battery is low (the LED display shows less than two bars), please use the original charger to charge immediately. Replace the battery if it is damaged.
- Ensure normal tire pressure. Improper tire pressure or overloading can cause loss of control. Loss of control can result in severe injury or death. Make sure the tire tread is intact.

Instructions on Riding and Usage:

- If any abnormality occurs, stop riding immediately and promptly contact the after-sales service hotline. Do not ride until any damage or corrective actions and/or maintenance issues have been corrected.
- Do not accelerate or brake abruptly when riding except in an emergency.
- Hold the handlebars firmly with both hands to avoid serious injuries from loss of balance or falling. Do not touch the brake or electric motor on your product when in use or immediately after riding, as these parts can become very hot.
- Stay alert and ride cautiously. Always keep a safe distance between you and other vehicles.
- Do not use a cell phone, camera, headphones, earbuds or engage in any other activities which distract you while riding.
- Slow down when approaching intersections, motorways, corners, doors, etc. Yield for pedestrians, bicycles and motor vehicles. The product can operate more quietly than other motorized products. Exercise caution when in the vicinity of pedestrians or others who may have difficulty hearing your approach. Use horn to sound warnings when appropriate.
- Do not attempt or do stunts or tricks. This product is not made to withstand abuse from misuse, such as jumping, curb grinding or any other type of stunts. Racing, stunt riding, or other maneuvers also increase risk of loss of control, which may lead to serious injury.
- The normal top speed of this product is approximately 25 mph (40 km/h), which can be affected by factors, such as rider weight, inclines and battery charge level. Avoid excessive speeds on downhill rides.
- Do not allow hands, feet, hair, body parts, clothing, or loose articles to come in contact with moving parts or wheels while the motor is engaged.
- Always park on a flat surface. Otherwise, the vehicle may slip and cause harm to the user and/or product.

Battery machine use and care:

- Recharge only with the charger specified by the manufacturer. A charger that is suitable for one type of battery pack may create a risk of fire when used with another battery pack.
- Use the product only with specifically designated batteries. Use of any other batteries packs may create a risk of injury and fire.
- When battery pack is not in use, keep it away from other metal objects, like paper clips, coins, keys, nails, screws, or other small metal objects, that can make a connection from one terminal to another. Shorting the battery terminals together may cause burns or a fire.
- Under abusive conditions, liquid may be ejected from the battery; avoid contact. If contact accidentally occurs, flush with water. If liquid contacts eyes, additionally seek medical help. Liquid ejected from the battery may cause irritation or burns.
- Do not use a battery pack or product that is damaged or modified. Damaged or modified batteries may exhibit unpredictable behavior resulting in fire, explosion, or risk of injury.
- Do not expose a battery pack or tool to fire or excessive temperature. Exposure to fire or temperature above 130 °C (265°F) may cause explosion.
- Follow all charging instructions and do not charge the battery pack or tool outside the temperature range specified in the instructions. Charging improperly or at temperatures outside the specified range may damage the battery and increase the risk of fire.

Service:

- Have your product serviced by a qualified repair person using only identical replacement parts. This will ensure that the safety of the product is maintained.

- Have your machine serviced by a qualified repair person using only identical replacement parts. This will ensure that the safety of the machine is maintained.

SAVE THESE INSTRUCTIONS

2.3 FCC REQUIREMENT

This device complies with part 15 of the FCC Rules. Operation is subject to the following two conditions:

1. This device may not cause harmful interference, and
2. This device must accept any interference received, including interference that may cause undesired operation.

▲ WARNING

Any changes or modifications not expressly approved by the party responsible for compliance could void the user's authority to operate the equipment.

Note: This equipment has been tested and found to comply with the limits for a Class B digital device, pursuant to Part 15 of the FCC Rules. These limits are designed to provide reasonable protection against harmful interference in a residential installation. This equipment generates, uses, and can radiate radio frequency energy, and if not installed and used in accordance with the instructions, may cause harmful interference to radio communications. However, there is no guarantee that interference will not occur in a particular installation. If this equipment does cause harmful interference to radio or television reception, which can be determined by turning the equipment off and on, the user is encouraged to try to correct the interference by one or more of the following measures:

- Reorient or relocate the receiving antenna.
- Increase the separation between the equipment and receiver.
- Connect the equipment into an outlet on a circuit different from that to which the receiver is connected.
- Consult the dealer or an experienced radio/TV technician for help.

3 ASSEMBLY

This section describes how to assemble and adjust the product.

▲ WARNING

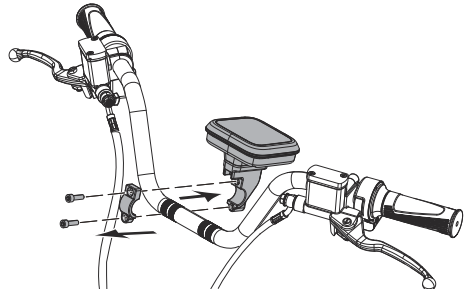
Carefully read and understand the safety chapter and the assembly instructions before you assemble the product.

3.1 INSTALL THE HANDLEBARS AND DISPLAY PANEL

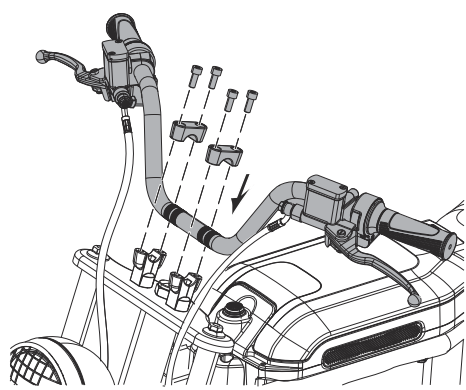
▲ WARNING

Failure to properly adjust and tighten the screws that affix the handlebars and display panel can cause rider to lose control and crash.

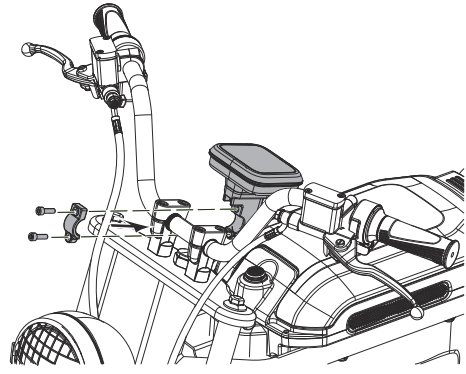
1. Unscrew and remove the front clamp from the display panel.



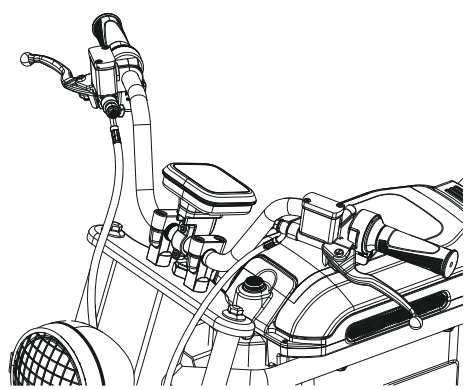
2. Position the handlebars on the brackets, attach the upper clamps to the handlebars, and securely tighten the screws.



3. Mount the display panel to its original position, reattach the front clamp, and securely tighten the screws.



▲ WARNING
 To prevent loss of control or severe injury, securely tighten the screws to ensure that the handlebars and display panel are stable and do not move forward or backward.



3.2 INFLATE THE TIRES

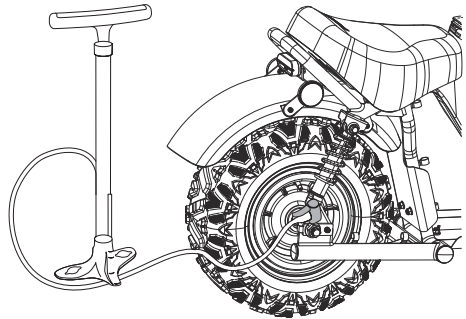
Tires are inflated when shipped, but they invariably lose pressure during transit. **Inflate the tires to the correct PSI (10 PSI (69 kPa) to 24 PSI (165 kPa)) before first time use.** Failure to do so may damage your product and void your warranty.

Lower air pressure can result in a shorter ride time. Periodically check front tire. Reinflate when needed.

▲ WARNING
 Do not overinflate, as this could damage the tire or wheel.

Note: The pressurized air supplies found at gasoline stations are designed to inflate high-volume automobile tires. If you decide to use such an air supply to inflate your tires, first make sure the pressure gauge is working, then use very short bursts to inflate to the correct PSI. If you inadvertently overinflate the tire, release the excess pressure immediately.

1. Using a bicycle style pump equipped for a Schrader-type valve, inflate both tires to the correct PSI.



4 OPERATION

This section describes how to operate the product.

▲ WARNING

Carefully read and understand the safety chapter and operation instructions before you operate the product.

4.1 BEFORE YOU RIDE

4.1.1 PRE-RIDE SAFETY CHECKLIST

1. Brake

Check the brake for proper function. When you squeeze the lever, the brake should provide positive braking action.

2. Tires

Periodically inspect the tires for excess wear and replace as needed. Regularly check the tire pressure and inflate as needed.

3. Frame and Handlebars

Check for cracks or broken connections. Although broken frames are rare, it is possible for an aggressive rider to run into a curb or object and wreck, bend, or break the frame. Get in the habit of inspecting your product on a regular basis. Avoid impacting into any solid objects, or wrecking. Always conduct a 360° safety check/inspection of your product for any damages, cracks, bent, or broken parts.

4. Hardware/Loose Parts

Before every ride, check all parts, such as nuts, bolts, cables, fasteners, etc., to ensure they are secure and assembled correctly. There should not be any unusual rattles or sounds from loose parts or broken components. If the product is damaged, do not ride. Refer to "Important safety instructions" on this manual.

5. Personal protective equipment

Always wear proper protective gear when riding product, such as an approved safety helmet. Elbow pads, kneepads, pants, and long sleeves are recommended. Always wear closed toe shoes (lace-up with rubber soles) and keep shoelaces tied and out of the way of the wheels, motor and drive system. NEVER RIDE BAREFOOTED OR IN SANDALS.

6. Laws and Regulations

Always check and obey any local laws or regulations.

7. Insurance

Do not assume that your existing insurance policies necessarily provide coverage for electric product use. Check with your insurance company for information regarding insurance.

4.1.2 CONNECT THE BATTERY CHARGER

1. Connect the battery charger to the proper voltage and frequency that is specified on the rating plate.

2. Refer to the Battery Charger Operator Manual for information about how to use the battery charger.

4.1.3 CHARGE THE BATTERY

Refer to the Battery Charger Operator Manual for information about how to use the battery charger.

4.1.4 BATTERY INFORMATION

Refer to the Battery Operator Manual for information about how to use the battery.

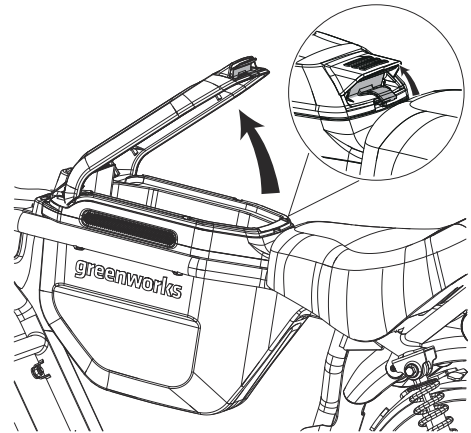
4.1.5 CONNECT THE BATTERIES TO THE PRODUCT

▲ WARNING

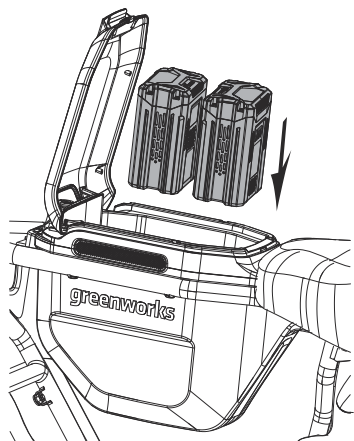
Only use Greenworks original batteries with the product.

Tip: Install two batteries simultaneously to achieve peak performance.

1. Make sure that the batteries are fully charged.
2. Lift the release latch to open the battery lid.



3. Push the batteries into the battery compartment. The battery locks into position when you hear a click.

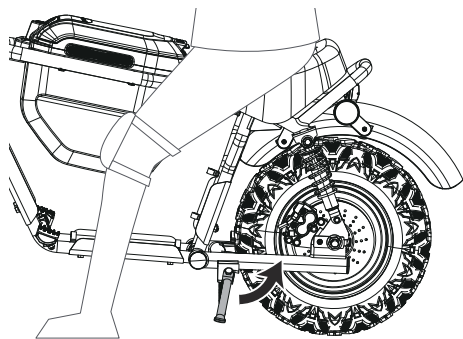


Note: If the battery does not fit easily into the battery holder, it may not be installed correctly, which can cause damage to the battery and/or the product.

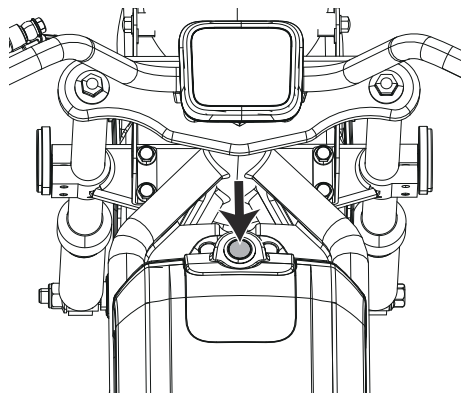
- 4. Make sure that the batteries are installed correctly.
- 5. Close and lock the battery lid.

4.2 START THE PRODUCT

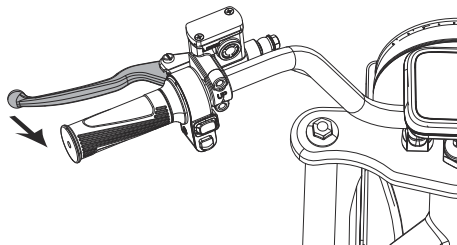
- 1. Grab both handles, sit down on the saddle, flip the kickstand up, center the bike with both feet.



- 2. Push the power button to turn on the product.

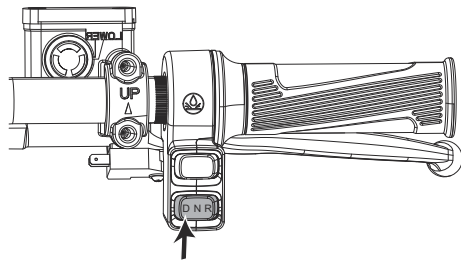


- 3. Squeeze the brake lever to activate the product.



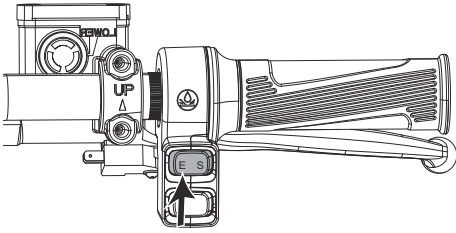
Note: After the product completely stops for 1 minute, it will lock automatically. Squeeze the brake lever to unlock the product.

- 4. Press the direction control switch to choose your desired riding direction.



Switch Position	Riding Direction
D (Drive)	Forward
N (Neutral)	Park
R (Reverse)	Reverse

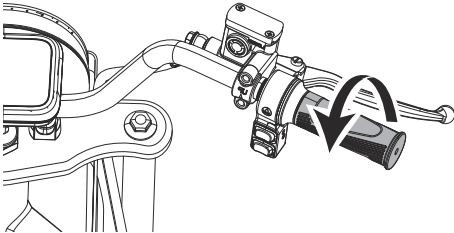
- 5. Check for the appropriate speed mode by pressing riding speed switch to "E" position.



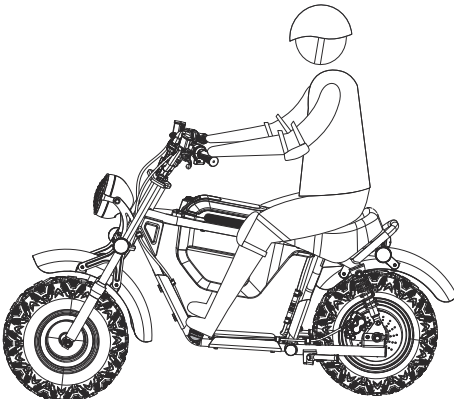
Switch Position	Riding Speed
E (ECO)	Slow
S (Sport)	Fast

Note: It is always recommended to start out in low speed mode.

- Place both hands on the handlebars. Gently turn the throttle inward to start your trip.

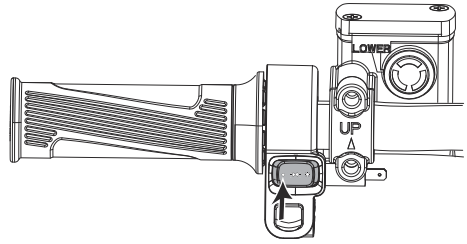


- Keep both feet on the footrests when the product is in motion.



4.3 ADJUST THE HEADLIGHT

Press the light switch to adjust the headlight.



Switch Position	Headlight condition
○	Light strip
☾☽	Low beam light
☀	High beam light

4.4 RIDE UPHILL/DOWNHILL

▲ WARNING

The maximum slope should not exceed 15°.

Uphill

- Stop and evaluate the terrain before attempting to ride. Use extreme caution when riding uphill.
- While riding uphill, slowly increase the throttle to maintain your momentum to reach the top.
- Always ride through to the top of the hill, slow down when you approach the top of the hill. Slowing down before you reach the top could lead to rolling backwards, which could result in personal injury.

If it is determined that the product will not make it to the top of the slope:

- Do not try to turn the product around while riding, this could cause the product to roll over.
- Slowly back the product down the slope while applying the brakes.

▲ WARNING

Do not ride the product downhill on a sharp angle, this could cause the product to flip over.

Downhill

- Stop and evaluate the terrain before attempting to ride. Make sure the slope is not too steep, the terrain is not loose or slippery and there are no obstacles.
- While going downhill, gently tap/apply the brakes as needed. Depressing the brakes too fast or hard could result in a crash.

4.5 SPEAKER FUNCTION

With this product, you can enjoy music through your Bluetooth-enabled phone.

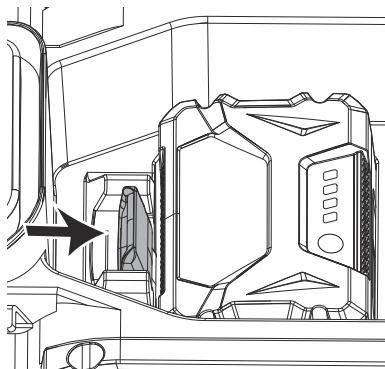
1. Turn on the product.
2. Turn on the Bluetooth function on your phone.
3. Choose device *GW-60MBL520-****** to pair.
4. Use your phone to control the volume.

4.6 STOP THE PRODUCT

1. Gradually release the throttle and firmly squeeze the front and rear brake levers to stop the product.

Note: *When coming to a complete stop, place both feet on the ground to balance the product.*

2. Press the direction control switch to "N" position.
3. Push the power button to turn off the product.
4. Push the battery release button and pull out the battery.



6 MAINTENANCE

i IMPORTANT

Carefully read and understand the safety regulations and the maintenance instructions before you clean, repair, or do any maintenance on the product (Reference Safety regulations and maintenance instructions).

▲ WARNING

- Remove battery or batteries from the product before you do any maintenance.
- Failure to follow proper maintenance service, using third-party replacement parts, or modifying/removing components can result in injury to the user.

6.1 CLEAN THE PRODUCT

▲ CAUTION

- Keep water away from battery compartment while washing to avoid damaging the electrical components.
- DO NOT clean with alcohol, gasoline, acetone, or other corrosive/volatile solvents. These substances may damage the external and internal structure of your product.
- DO NOT rub with sandpaper or metal brush.

5 SMARTG HOME APPLICATION

SMARTg Home is a free mobile application that provides additional features for your Greenworks product. These features include extended information about products, product parts and servicing.

5.1 SETUP

Note: *Always set up first before riding.*

1. Download the SMARTg Home app on your mobile device.
2. Register in the SMARTg Home app.
3. Follow the instructions in the SMARTg Home app to connect and register the product.

Note: *Ensure that your phone's Bluetooth function is always on.*

Clean the product after each use with water, neutral detergent, and a soft cloth.

6.2 CLEAN THE BATTERY AND BATTERY CHARGER

▲ WARNING

DO NOT clean the battery or the battery charger with water.

- Make sure that the battery and the battery charger are clean and dry before you insert the battery into the battery charger.
- Clean the battery terminals with a soft and dry cloth.
- Clean the surface of the battery and the battery charger with a soft and dry cloth.

6.3 EXAMINE THE BATTERY AND THE BATTERY CHARGER

Carefully inspect the battery, battery charger, and connection cord of the battery charger for any signs of damage, such as cracks or broken parts. Replace if necessary.

7 TRANSPORTATION, STORAGE AND DISPOSAL

7.1 TRANSPORTATION

- Any removable (electronic) parts, such as the charger and battery, should always be removed from the product before transport.
- Avoid transporting the product in bad weather conditions when possible.
- Properly cover any exposed electronic parts during transport when transport in bad weather conditions cannot be avoided.
- High speeds combined with wind and rain could cause moisture to be pressured into the electronic parts, which can lead to temporary malfunctions or permanent defects.
- If a malfunction occurs after transport in such conditions, allow all parts to dry by air when the destination is reached.

7.2 STORAGE

If the product is left unused for an extended period of time, proper storage maintenance is required.

1. Disconnect and remove the battery from the product for long-term storage.
2. Fill tires with correct air pressure (*See Inflate the tires*).
3. Store the product, battery, and battery charger in a proper temperature (*See Technical data*).
4. If possible, store the product in a shed or garage with a cover to protect from dust, dirt and humidity. If the product must be stored outdoors, cover completely with a good waterproof cover.
5. Store the product in a safe place and ensure that unauthorized persons, including children, do not touch the product.

7.3 DISPOSAL OF THE BATTERY, BATTERY CHARGER, AND PRODUCT

Symbols on the product or the package of the product mean that the product is not domestic waste. Recycle it at a recycling station for electrical and electronic equipment. This helps to prevent damage to the environment and persons.

Get in touch with your local authorities, domestic waste service, or your dealer for more information about how to recycle your product.

8 ERROR CODES

Error Codes	Error Contents	Possible Solution
E001	Battery 1 Abnormal	<ol style="list-style-type: none"> 1. Turn off the product and reinstall the battery. 2. Please contact after-sales service.
E002	Battery 2 Abnormal	<ol style="list-style-type: none"> 1. Turn off the product and reinstall the battery. 2. Please contact after-sales service.
E003	Motor 1 Abnormal	<ol style="list-style-type: none"> 1. Turn off the product and restart it. 2. Please contact after-sales service.
E004	Motor 2 Abnormal	<ol style="list-style-type: none"> 1. Turn off the product and restart it. 2. Please contact after-sales service.
E005	PMU Communication Abnormal	<ol style="list-style-type: none"> 1. Turn off the product and restart it. 2. Replace the PMU.
E006	Speed Controller Abnormal	<ol style="list-style-type: none"> 1. Turn off the product and restart it. 2. Please contact after-sales service.
E007	Motor Controller Abnormal	<ol style="list-style-type: none"> 1. Turn off the product and restart it. 2. Please contact after-sales service.
E008	Display Abnormal	<ol style="list-style-type: none"> 1. Turn off the product and restart it. 2. Please contact after-sales service.

9 TECHNICAL DATA

Voltage	60V DC
Weight (without battery and charger)	143.3 lbs. (65 kg)
Max. payload	220 lbs. (100 kg)
Rider age	≥ 16 years old
Maximum speed	25 mph (40 km/h)
Maximum slope	15°
Battery model	LB6081/LB604/LB605/60BA08/LB6041/LB6051 and other BAC series*
Charger model	60DPC10A and other CAC series
* It is recommended to use with 4Ah (288 Watt hour) batteries or higher.	

The recommended ambient temperature range:

Condition	Temperature
Product storage	32°F (0°C) - 113°F (45°C)
Product operation	32°F (0°C) - 113°F (45°C)
Battery charging	39°F (0°C) - 104°F (45°C)
Charger operation	39°F (4°C) - 104°F (40°C)
Battery storage	32°F (0°C) - 113°F (45°C)
Battery discharging	32°F (0°C) - 113°F (45°C)

10 LIMITED WARRANTY

This is a limited warranty provided by the manufacturer of the Greenworks Mini Bike (the "Product") to the consumer or End Users (the "Limited Warranty"). This Limited Warranty only and exclusively applies to the Product distributed and/or sold by and/or through Greenworks or Greenworks Dealers.

THIS LIMITED WARRANTY GIVES YOU SPECIFIC LEGAL RIGHTS, AND YOU MAY ALSO HAVE OTHER RIGHTS WHICH VARY FROM STATE TO STATE OR IN OTHER COUNTRIES. THIS LIMITED WARRANTY IS A BINDING LEGAL CONTRACT BETWEEN YOU AND Greenworks AND Greenworks PARTIES (AS DEFINED BELOW), AND IT IS YOUR RESPONSIBILITY TO READ THIS ENTIRE LIMITED WARRANTY AND UNDERSTAND IT BEFORE USE OF THE PRODUCT.

▲ WARNING

USE OF THE PRODUCT BY A PERSON WHO HAS NOT RECEIVED SUFFICIENT PROFESSIONAL TRAINING AND DOES NOT POSSESS NECESSARY EXPERIENCE AND SKILLS MAY CAUSE SEVERE BODILY INJURY OR EVEN DEATH TO SUCH USER OR THE OTHERS. CONTACT DRIVER TRAINING FACILITIES AND ACQUIRE SAFETY DRIVING TRAINING, INSTRUCTIONS OR CERTIFICATIONS, IF ANY, BEFORE USE OF THIS PRODUCT ARE ENCOURAGED. PLEASE READ EACH AND EVERY SECTION OF THIS DOCUMENT CAREFULLY BEFORE USE OF THE PRODUCT. YOU ARE ENCOURAGED TO CONSULT WITH YOUR PROFESSIONALS AND ADVISORS REGARDING THE INFORMATION PROVIDED HEREIN ESPECIALLY THOSE RELATED TO SAFETY AND YOUR LEGAL RIGHTS AND DUTIES.

LIMITED WARRANTY PERIOD

This Limited Warranty covers only defects of any material or workmanship of the Product and components thereof when the Product and components thereof are being used under normal and ordinary conditions. In an event that a defect covered by this Limited Warranty occurs, Greenworks in its sole discretion will repair or replace the defective Product or components following this Limited Warranty. The applicable Limited Warranty Period for the Limited Warranty commences on the date of the original purchase of the Product from either of Greenworks, Greenworks's authorized reseller, Greenworks's authorized distributor, or an authorized Dealer (each a "Greenworks Dealer" or collectively the "Greenworks Dealers").

	Component or Assembly	Scope of Warranty	Warranty Period
1	Motor assembly	Coil burnout, phase loss, de-magnetization, short circuit, open circuit, abnormal sound, hub damage, deformation or breakage for manufacturing error or material reasons, etc.	12 months
2	Controller	Non-recoverable performance failure or manufacturing error or material reasons	18 months
3	Frame, rear fork, lower connecting plate, upper connecting plate, frame front sealing plate, frame lower sealing plate, frame rear sealing plate, handlebar, front mudguard installation plate, rear wheel alignment plate, headlight bracket, battery compartment cover connection bracket, side stand	Non-recoverable performance failure or manufacturing error or material reasons	18 months
4	Dashboard, bluetooth speaker, headlight, taillight, power button, DC converter, left switch assembly, throttle switch, horn, main cable assembly, parallel board	Non-recoverable performance failure or manufacturing error or material reasons	6 months
5	Brake assembly	Oil leakage and failure in effective braking (excluding brake pad)	3 months
6	Front/rear shock absorber assembly	Oil leakage and no damping	3 months
7	Decorative part, spacer, washer, block, seat cushion, standard fastener, brake pad, front/rear wheel bearings, plastic part, inner/outer tire, hose, spring and other spare parts not covered in the items listed above	Parts prone to wear and tear	Excluded from the warranty

SITUATIONS NOT COVERED BY LIMITED WARRANTY:

The following situations are not covered by the limited warranty. The user will be responsible for parts and labor.

1. The product is beyond the service limit or scope specified in the operating instructions.
2. The product is faulty or damaged as a result of noncompliance of the user with the requirements for proper use, driving and maintenance in the operating instructions.
3. The product is faulty or damaged due to rain, ice/snow soaking, smoke, drug, chemical corrosion and force majeure (including but not limited to earthquakes, typhoons, fires, floods, social events, group events and violent crimes).
4. The user modifies or dismantles the product or its parts without permission, or destroys the normal use of the product and its parts.
5. The user installs non-original or third-party spare parts or accessories, resulting in damage to original parts, or modifies the circuit and line configuration without permission.
6. The product is faulty or damaged as a result of crashes, spillovers, traffic accidents, overloading (i.e.: Passengers are forbidden. This vehicle is for individual use only), speeding or other human factors during the use.
7. The user does not provide the formal invoice or purchase record.

HELPLINE:

Warranty service is available by calling our toll-free helpline, at 1-855-345-3934.

TRANSPORTATION CHARGES:

Transportation charges for the movement of any power equipment unit or attachments are the responsibility of the purchaser. It is the purchaser's responsibility to pay transportation charges for any part submitted for replacement under this warranty unless such return is requested in writing by Greenworks.

USA address:

Greenworks Tools

P.O. Box 1238, Mooresville, NC 28115

Canadian address:

Greenworks Tools Canada, Inc.

P.O. Box 93095, Newmarket, Ontario, L3Y 8K3

Mexico address:

TECNOLOGIA CAMPO Y JARDIN S.A. DE C.V.

ADMINISTRADORES No. 5336 A, COL. ARCOS DE GUADALUPE, ZAPOPAN , JALISCO , C.P. 45037

www.greenworkstools.com



greenworks

Rev B