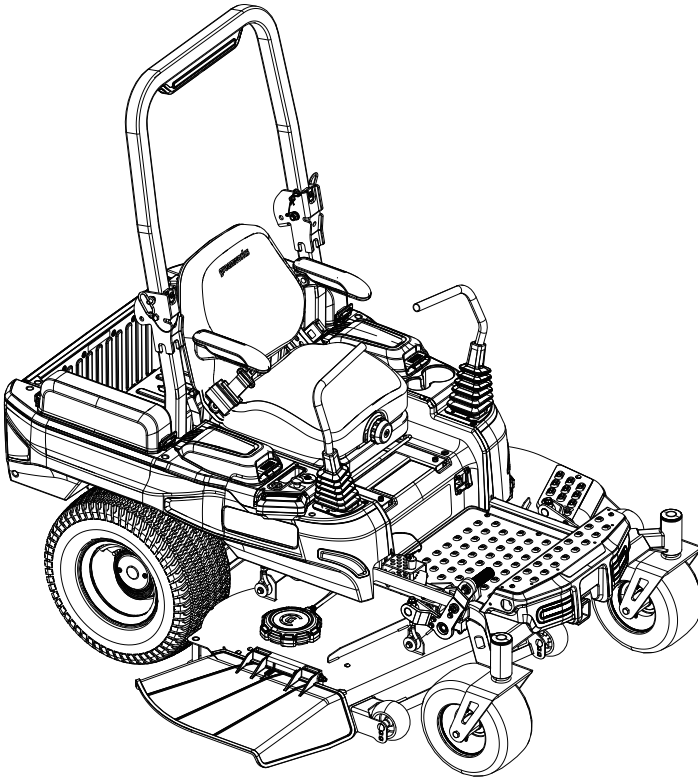


greenworks[®]

MZ548
MZ608

EN	ZERO-TURN MOWER	OPERATOR MANUAL
FR	TONDEUSE À RAYON DE BRAQUAGE ZÉRO	MANUEL D'OPÉRATEUR
ES	CORTADORA DE CÉSPED DE RADIO DE GIRO CERO	MANUAL DEL OPERADOR



ZTB409

greenworkscommercial.com

1	Introduction.....	4	8.3	Neutral bypass lever.....	27
1.1	Product description.....	4	8.4	Move the mower manually.....	28
1.2	Intended use.....	4	9	Clean and storage.....	28
1.3	Symbols on the product.....	4	9.1	Clean the product.....	28
1.4	Environmentally safe battery disposal.....	4	9.2	Store the product.....	28
1.5	California Proposition 65.....	5	10	Maintenance.....	29
2	Safety.....	5	10.1	Maintenance safety.....	29
2.1	Safety definitions.....	5	10.2	Battery maintenance.....	29
2.2	General safety warnings.....	5	10.3	Charging.....	29
2.3	Ride-on mower safety warnings.....	7	10.4	Recommended maintenance schedules.....	31
2.4	Safe practices for ride-on mowers.....	7	10.5	Check tire pressure.....	31
3	Uncrate the product.....	11	10.6	Torque values.....	31
4	Assembly.....	12	10.7	Service the mower blades.....	32
4.1	Install the roll bar.....	12	11	Troubleshooting.....	34
4.2	Install the seat.....	13	12	Technical data.....	36
4.3	Install the tailgate of the rear storage bin.....	14	13	Warranty.....	36
4.4	Install the steering control lever.....	14	13.1	Items not covered by warranty.....	37
5	Features and controls.....	15	13.2	Helpline.....	37
5.1	Product controls.....	15	13.3	Transportation charges.....	37
6	Electrical system.....	18	14	Greenworks product registration.....	37
6.1	Electrical system safety.....	18	15	Serial Number(s).....	38
6.2	Electrical system information.....	18	16	Errors.....	38
7	Operation.....	19	16.1	Right wheel motor controller error codes.....	39
7.1	Before Operation.....	19	16.2	Left wheel motor controller error codes.....	41
7.2	Start the product.....	20	16.3	Power management unit (in the battery compartment) error codes.....	43
7.3	Stop the product.....	21	16.4	Left blade motor controller error codes..	45
7.4	Digital display screen.....	21	16.5	Middle blade motor controller error codes.....	46
7.5	App operation tips.....	24	16.6	Right blade motor controller error codes.....	47
7.6	Zero-turn mower driving practice.....	24			
7.7	Mowing.....	26			
7.8	Mowing patterns.....	26			
7.9	Mowing recommendations.....	26			
8	Transportation.....	27			
8.1	Transport the mower.....	27			
8.2	Transport the lithium-ion battery.....	27			

1 INTRODUCTION

1.1 PRODUCT DESCRIPTION

This product is a battery-operated zero-turn mower with electric motors.








We are committed to continuously improving our products and reserve the right to modify the design and appearance without prior notice.













1.2 INTENDED USE

The product is designed for efficiently cutting and maintaining grass on residential lawns and outdoor spaces. It is not designed for any other purpose.

1.3 SYMBOLS ON THE PRODUCT

Read the safety decals before operating your product. The warnings have been developed for your safety. Understand and follow all safety decals to reduce the risk of a personal injury or property damage.

Symbol	Explanation
IPX4	Protection from splashing water.
V	Voltage
kg	Kilogram
lbs	Pound
	Indicates a potential personal injury hazard.
	To reduce the risk of injury, user must read and understand operator's manual before using this product.
	Wear ear protection.
	Always wear safety goggles or safety glasses with side shields and a full face shield when operating this product.
	Professional training is required before operating the product.
	Do not mow when children or others are around.
	Do not open or remove safety shields while the product is running.

Symbol	Explanation
	To reduce the risk of injury, keep hands and feet away from rotating parts. Do not operate unless discharge cover or grass bag is in its proper place. If damaged, replace immediately.
	Do not tow this product, it may cause damage to the drive system.
	Never carry children or anyone, even when the blades are off.
	Always look down and behind you when maneuvering in reverse or turning around. Make sure children, bystanders, and pets are clear of the area.
	Use extra caution on slopes. Do not mow slopes greater than 15 degrees. Do not use on slopes near open water.
	Remove objects that can be thrown by the blade in any direction. Wear safety glasses.
	Keep all bystanders at least 30m (100ft.) away.
	Do not step.
	Pull the neutral bypass lever outward to release the drive brake. Never unlock the neutral bypass lever on slopes. It can cause a loss of control.
	CAUTION — Do not stare at operating lamp.
	Don't sit at the tailgate of the rear storage bin.
	The maximum load-bearing capacity.

1.4 ENVIRONMENTALLY SAFE BATTERY DISPOSAL



The toxic and corrosive materials below are in the batteries used in this product: **Lithium-ion, a toxic material.**

▲ WARNING

Discard all toxic materials in a specified manner to prevent contamination of the environment. Before discarding damaged or worn-out Lithium-ion battery, contact your local waste disposal agency, or the local Environmental Protection Agency for information and specific instructions. Take the batteries to a local recycling and/or disposal center, certified for Lithium-ion disposal.

▲ WARNING

If the battery pack cracks or breaks, with or without leaks, do not recharge it and do not use. Discard it and replace with a new battery pack. **DO NOT TRY TO REPAIR IT!** To prevent injury and risk of fire, explosion, or electric shock, and to avoid damage to the environment:

- Cover the terminals of the battery with heavy-duty adhesive tape.
- DO NOT try to remove or destroy any of the battery pack components.
- DO NOT try to open the battery pack.
- If a leak develops, the released electrolytes are corrosive and toxic. DO NOT get the solution in the eyes or on skin, and do not swallow it.
- DO NOT put these batteries in your regular household trash.
- DO NOT incinerate.
- DO NOT put them where they will become part of any waste landfill or municipal solid waste stream.
- Take them to a certified recycling or disposal center.

1.5 CALIFORNIA PROPOSITION 65

▲ WARNING

THIS PRODUCT CONTAINS OR EMITS A CHEMICAL KNOWN TO THE STATE OF CALIFORNIA TO CAUSE CANCER OR BIRTH DEFECTS OR OTHER REPRODUCTIVE HARM.

2 SAFETY

2.1 SAFETY DEFINITIONS

Warnings, cautions, and notes are used to point out especially important parts of the manual.

▲ WARNING

THERE IS A RISK OF INJURY OR DEATH FOR THE OPERATOR OR BYSTANDERS, IF THE INSTRUCTIONS IN THE MANUAL ARE NOT OBEYED.

▲ CAUTION

THERE IS A RISK OF DAMAGE TO THE PRODUCT, OTHER MATERIALS, OR THE ADJACENT AREA, IF THE INSTRUCTIONS IN THE MANUAL ARE NOT OBEYED.

Note: Used to give more information that is necessary in a given situation.

2.2 GENERAL SAFETY WARNINGS

▲ WARNING

Read all safety warnings, instructions, illustrations and specifications provided with this product.

Failure to follow all instructions listed below may result in electric shock, fire and/or serious injury.

Save all warnings and instructions for future reference.

The term "product" in the warnings refers to your mains-operated (corded) product or BATTERY-operated (cordless) product.

2.2.1 WORK AREA SAFETY

- **Keep work area clean and well lit.** *Cluttered or dark areas invite accidents.*
- **Do not operate the product in explosive atmospheres, such as in the presence of flammable liquids, gases or dust.** *The product creates sparks which may ignite the dust or fumes.*
- **Keep children and bystanders away while operating the product.** *Distractions can cause you to lose control.*

2.2.2 ELECTRICAL SAFETY

- **Product plugs must match the outlet. Never modify the plug in any way. Do not use any adapter plugs with earthed (grounded) product.** *Unmodified plugs and matching outlets will reduce risk of electric shock.*
- **Avoid body contact with earthed or grounded surfaces, such as pipes, radiators, ranges and refrigerators.** *There is an increased risk of electric shock if your body is earthed or grounded.*
- **Do not expose the product to rain or wet conditions.** *Water entering a product will increase the risk of electric shock.*
- **Do not abuse the cord. Never use the cord for carrying, pulling or unplugging the product. Keep cord away from heat, oil, sharp edges**

or moving parts. *Damaged or entangled cords increase the risk of electric shock.*

- **When operating the product outdoors, use an extension cord suitable for outdoor use.** *Use of a cord suitable for outdoor use reduces the risk of electric shock.*
- **If operating the product in a damp location is unavoidable, use a Residual Current Device (RCD) protected supply.** *Use of an RCD reduces the risk of electric shock.*
- **Do not clean the product with water from a hose or a pressure washer.** *Water entering a product will increase the risk of electric shock.*
- **Do not operate the product in rain.** *Water entering a product will increase the risk of electric shock.*

2.2.3 PERSONAL SAFETY

- **Stay alert, watch what you are doing and use common sense when operating the product. Do not use the product while you are tired or under the influence of drugs, alcohol or medication.** *A moment of inattention while operating the product may result in serious personal injury.*
- **Use personal protective equipment. Always wear eye protection.** *Protective equipment such as a dust mask, non-skid safety shoes, hard hat, or hearing protection used for appropriate conditions will reduce personal injuries.*
- **Prevent unintentional starting. Ensure the switch is in the off-position before connecting to power source and/or Battery pack, picking up or carrying the product.** *Carrying power tools with your finger on the switch or energizing power tools that have the switch on invites accidents.*
- **Remove any adjusting key or wrench before turning the product on.** *A wrench or a key left attached to a rotating part of the product may result in personal injury.*
- **Do not overreach. Keep proper footing and balance at all times.** *This enables better control of the product in unexpected situations.*
- **Dress properly. Do not wear loose clothing or jewelry. Keep your hair, clothing away from moving parts.** *Loose clothes, jewelry or long hair can be caught in moving parts.*
- **If devices are provided for the connection of dust extraction and collection facilities, ensure these are connected and properly used.** *Use of dust collection can reduce dust-related hazards.*
- **Do not let familiarity gained from frequent use of tools allow you to become complacent and ignore tool safety principles.** *A careless action can cause severe injury within a fraction of a second.*

2.2.4 PRODUCT USE AND CARE

- **Do not force the product. Use the correct product for your application.** *The correct product*

will do the job better and safer at the rate for which it was designed.

- **Do not use the product if the switch does not turn it on and off.** *Any product that cannot be controlled with the switch is dangerous and must be repaired.*
- **Disconnect the plug from the power source and/or remove the BATTERY pack, if detachable, from the product before making any adjustments, changing accessories, or storing the product.** *Such preventive safety measures reduce the risk of starting the product accidentally.*
- **Store an idle product out of the reach of children and do not allow persons unfamiliar with the product or these instructions to operate the product.** *A product is dangerous in the hands of untrained users.*
- **Maintain the product and accessories. Check for misalignment or binding of moving parts, breakage of parts and any other condition that may affect the operation of the product. If damaged, have the product repaired before use.** *Many accidents are caused by poorly maintained product.*
- **Keep cutting tools sharp and clean.** *Properly maintained cutting tools with sharp cutting edges are less likely to bind and are easier to control.*
- **Use the product, accessories and tool bits etc. in accordance with these instructions, taking into account the working conditions and the work to be performed.** *Use of the product for operations different from those intended could result in a hazardous situation.*
- **Keep handles and grasping surfaces dry, clean and free from oil and grease.** *Slippery handles and grasping surfaces do not allow for safe handling and control of the product in unexpected situations.*
- **Remove the key or disable the product when leaving the product unattended.** *The product is dangerous to untrained users.*

2.2.5 BATTERY TOOL USE AND CARE

- **Recharge only with the charger specified by the manufacturer.** *A charger that is suitable for one type of battery pack may create a risk of fire when used with another battery pack.*
- **Use the product only with specifically designated battery packs.** *Use of any other battery packs may create a risk of injury and fire.*
- **When battery pack is not in use, keep it away from other metal objects, like paper clips, coins, keys, nails, screws or other small metal objects, that can make a connection from one terminal to another.** *Shorting the battery terminals together may cause burns or fire.*
- **Under abusive conditions, liquid may be ejected from the battery; avoid contact. If contact accidentally occurs, flush with water. If liquid**

contacts eyes, additionally seek medical help. *Liquid ejected from the battery may cause irritation or burns.*

- **Do not use a battery pack or product that is damaged or modified.** *Damaged or modified batteries may exhibit unpredictable behavior resulting in fire, explosion or risk of injury.*
- **Do not expose a battery pack or product to fire or excessive temperature.** *Exposure to fire or temperature above 265°F (130°C) may cause explosion.*
- **Follow all charging instructions and do not charge the battery pack or product outside the temperature range specified in the instructions.** *Charging improperly or at temperatures outside the specified range may damage the battery and increase the risk of fire.*

2.2.6 SERVICE

- **Have your product serviced by a qualified repair person using only identical replacement parts.** *This will ensure that the safety of the product is maintained.*
- **Never service damaged battery packs.** *Service of battery packs should only be performed by the manufacturer or authorized service providers.*

2.3 RIDE-ON MOWER SAFETY WARNINGS

- **Do not use the mower in bad weather conditions, especially when there is a risk of lightning.** *This decreases the risk of being struck by lightning.*
- **Thoroughly inspect the area for wildlife where the mower is to be used.** *Wildlife may be injured by the mower during operation.*
- **Thoroughly inspect the area where the mower is to be used and remove all stones, sticks, wires, bones, and other foreign objects.** *Thrown objects can cause personal injury.*
- **Before using the mower, always visually inspect to see that the blade and the blade assembly are not worn or damaged.** *Worn or damaged parts increase the risk of injury.*
- **Keep guards in place. Guards must be in working order and be properly mounted.** *A guard that is loose, damaged, or is not functioning correctly may result in personal injury.*
- **Keep all cooling air inlets clear of debris.** *Blocked air inlets and debris may result in overheating or risk of fire.*
- **While operating the mower, always wear non-slip and protective footwear. Do not operate the mower when barefoot or wearing open sandals.** *This reduces the chance of injury to the feet from contact with the moving blade.*

- **While operating the mower, always wear long pants.** *Exposed skin increases the likelihood of injury from thrown objects.*
- **Do not operate the mower on slopes greater than 15 degrees.** *This reduces the risk of loss of control, slipping and falling which may result in personal injury.*
- **When working on slopes, always be sure of your footing.** *This reduces the risk of loss of control, slipping and falling which may result in personal injury.*
- **Do not mow from side-to-side when operating mowers on unlevel or sloped ground. Always mow slopes in the up-and-down direction.** *This reduces the risk of loss of control, slipping and falling which may result in personal injury.*
- **Do not touch blades and other hazardous moving parts while they are still in motion.** *This reduces the risk of injury from moving parts.*
- **When clearing jammed material or cleaning the mower, make sure all power switches are off and remove (or activate) the disabling device.** *Unexpected operation of the mower may result in serious personal injury.*
- The user and technician **SHALL** carefully review **ALL** applicable original equipment manufacturer (OEM) safety-related repair manual procedures, training, and precautions before use, maintenance and service.

Note: *The user and technician should consult a medical professional if they have or are wearing:*

- An implanted defibrillator.
- A cardiac pacemaker.
- An internal analgesic medication pump.
- An insulin pump.
- Hearing aids.
- Other medical devices.

2.4 SAFE PRACTICES FOR RIDE-ON MOWERS

▲ WARNING

This mower is capable of amputating hands and feet and throwing objects at high speed. Failure to read and follow the warnings and safety instruction in this manual could result in severe personal injury or death to the operator or bystanders.

2.4.1 GENERAL SAFETY

- Do not use battery-operated ride-on mower in rain.
- Only allow responsible, capable adults who are familiar with the instructions to operate this product.
- Safe operation requires your full attention and capabilities.
- Always look where you are going and be aware of your surroundings.

- Listen to the product and be aware of any change.
- Feel the product and its responses from both your inputs and the environment.
- Remain focused on your task.
- Always wear proper eye protection that complies with the latest safety standards in order to reduce the risk of eye injury while operating or performing any adjustment or repair. See ANSI Z87.1.
- Do not operate product unless discharge guard or other safety devices are in place and working.
- Always wear a face mask or a dust mask while operating the mower in a dusty environment.
- Always dress properly. The wearing of protective gloves and safety footwear is recommended.
- Never operate the product while using a mobile phone or any other electronic device. Operating while distracted can increase the risk of serious personal injury to the operator and bystanders.
- Do not operate the equipment while wearing sandals, tennis shoes, sneakers, shorts or any type of loose-fitting clothing. Wear safety shoes, hard hats, long pants, protective eyewear and hearing protection during operation to reduce the risk of personal injury. Avoid loose-fitting clothing, jewelry and any other apparel that could be caught on moving parts. Secure hair above shoulder level before starting work.
- Never carry passengers and keep bystanders away.
- Follow the manufacturer's recommendation for wheel weights or counterweights.

2.4.2 PREPARATION BEFORE OPERATING

- Clear the operating area of any objects which could be thrown by or interfere with operation of the product.
- Keep the area of operation clear of all bystanders, particularly small children. Stop the product and attachment(s) if anyone enters the area.
- Do not operate the product without the entire grass catcher, discharge chute, or other safety devices in place and functioning properly. Check frequently for signs of wear or deterioration and replace as needed.
- Wear appropriate personal protective equipment such as safety glasses, hearing protection, and footwear.
- Do not carry passengers anywhere on the product. Keep pets and bystanders out of the mowing area during operation.

2.4.3 OPERATING

- Always drive with both hands. Do not drive with just one hand.
- Only operate the product in daylight or good artificial light.

- Avoid holes, ruts, bumps, rocks, or other hidden hazards. Uneven terrain could overturn the product or cause operator to lose their balance or footing.
- Do not put hands or feet near rotating parts or under the product. Keep clear of the discharge opening at all times.
- Do not direct discharge material toward anyone. Avoid discharging material against a wall or obstruction. Material may ricochet back toward the operator. Stop the blade(s) when crossing gravel surfaces.
- Never leave an activated product unattended. Take appropriate precautions when stopping the product or leaving the operator's position. Always stop on level ground. Disengage the PTO, set the parking brake, switch off the power and remove the key before standing up from the operator's position.
- Do not mow in reverse unless absolutely necessary. Always look down, behind and to the side before changing directions or backing up.

2.4.4 CHILDREN SPECIFIC

- Tragic accidents can occur if the operator is not alert to the presence of children. Children are often attracted to the product and the mowing activity. Never assume that children will remain where you last saw them.
- Keep children out of the operating area and under the watchful care of another responsible adult other than the operator.
- Do not carry children, even with the blade(s) off. Children could fall off and be seriously injured or interfere with safe operation. Children who have been given rides in the past could suddenly appear in the mowing area for another ride and be run over or backed over by the product.

2.4.5 USE A RAMP

- When loading or unloading the product from a trailer, always use full width ramps that extend beyond the width of the product.
- This provides a surface for the mower frame to contact if the unit starts to tip backwards. It also reduces the risk of a wheel going off and the product tipping over.
- Do not exceed a 15-degree angle between the ramp and the ground or between the ramp and the trailer or truck.
- Become familiar with the mower's controls and confident in its smooth operation before attempting to drive it up or down a ramp.
- Use slow drive mode and drive carefully.
- Avoid any sudden movement of the controls and use only slow, even acceleration.

2.4.6 TOWING

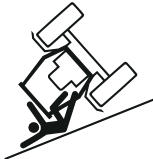
- Tow only with a product that has a hitch designed for towing. Do not attach towed equipment except at the hitch point.
- Follow the manufacturer's recommendation for weight limits for towed equipment and towing on slopes. See **Rear Trailer Hitch** section. (Reference 7.1.3)
- Never allow children or others in or on towed equipment.
- On slopes, the weight of the towed equipment may cause loss of traction and loss of control.
- Travel slowly and allow extra distance to stop.

2.4.7 SERVICE

- Keep product in good working order. Replace worn or damaged parts.
- Use caution when servicing blades. Wrap the blade(s) or wear gloves. Replace damaged blades. Do not repair or alter blade(s).
- Do not charge ride-on mower in rain, or wet locations.
- Store idle ride-on mower indoors - When not in use, ride-on mower should be stored in an indoor dry and locked-up place - out of reach of children.
- Turn off and remove start key before servicing, cleaning, or removing material from the ride-on mower.

Save all warnings and instructions for future reference.

2.4.8 SLOPE OPERATION



Slopes are a major factor related to accidents. Operation on slopes requires extra caution. To reduce the risk of injury, never operate the product under any condition where you experience wheel slipping or sliding, or where wheel traction or mower stability and control are in doubt. The product may slide even if the wheels are stopped. These conditions increase the risk of roll over.

- Never operate on a slope greater than 15 degrees - a slope that has 5.4 feet of elevation change over any 20 foot segment. See **Slope Identification Guide** (Reference 2.4.9) in this Operator Manual.
- Reduce speed and use extra care when mowing on slopes. If you cannot back up the slope or if you feel uncomfortable, do not drive on the slope.

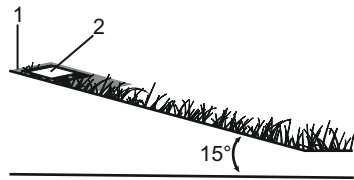
- Avoid turning the product down slopes. Turn up slopes.
- Always keep the product in gear when going down slopes. Do not coast downhill.
- Avoid starting and stopping on slopes. Avoid making sudden changes in speed or direction. Make turns slowly and gradually.
- Avoid mowing grass that is slippery, wet, or soft. Operating on wet or soft slopes can cause loss of control, which can lead to tip over.
- Use extra care while operating the product with a grass catcher or other attachments. They can affect the stability of the product.

2.4.9 SLOPE IDENTIFICATION GUIDE

▲ WARNING

To reduce the risk of serious personal injury or death, never operate on slopes greater than 15 degrees. Always check the degree of slope on the lawn surface before attempting to mow in that area.

- Download an inclinometer app onto your mobile device that measures slopes.
- Place a flat piece of wood or metal, 4-6 feet in length, on the surface of the slope.
- Open the app and place your phone (2) on the flat piece of metal or wood (1) to determine the exact slope of your lawn. Do not mow if the slope is greater than 15 degrees.



2.4.10 ROLL OVER PROTECTION SYSTEM (ROPS)

The Roll Over Protection System (ROPS) is an important and effective safety device. Do not remove, repair or alter the ROPS. Replace a damaged component of the ROPS.

▲ WARNING

Keep the roll bar in the raised and locked position and fasten the seat belt around your waist when operating the product. There is no roll over protection when the roll bar is down. When the roll bar is raised and your seat belt is fastened, do not jump off the mower if it tips. It is safer to be secured by the seat belt with the roll bar raised.

The roll bar is designed to fold down to allow the operator to drive under overhanging obstacles and fit

the mower into trailers. Lower the roll bar only when absolutely necessary. Never use the seat belt when the roll bar is down. Raise the roll bar as soon as overhead clearance permits. Never remove the roll bar.

▲ WARNING

In order to avoid serious injury or death from roll over, follow the warnings listed below.

- Always fasten the seat belt when the roll bar is in the raised position.
- Never use the seat belt when the roll bar is down.
- Keep the roll bar raised and locked unless absolutely necessary to pass under an obstacle. There is no roll over protection when the roll bar is down.
- Overhanging obstacles can be dangerous. Before passing under tree branches and other obstacles, always ensure sufficient clearance. If absolutely necessary, lower the roll bar to pass under the object. Return the roll bar to the raised and locked position immediately after clearing the obstacle.
- Never modify, alter or remove the roll bar.
- The roll bar has a maximum weight limit. Never exceed the weight rating marked on the roll bar.
- Read and follow the instructions about inspecting and maintaining the ROPS.

Inspect the Roll Bar

▲ WARNING

Failure to properly inspect and maintain the roll bar can result in serious injury or death.

Inspect the roll bar to ensure that it has not been damaged, weakened or otherwise compromised during use. Inspect for evidence of misuse, wear, modification, or damage. Contact your authorized servicing dealer if you have any questions about the condition of the roll bar.

- Do not attempt to repair a roll bar. It must be inspected and replaced by the manufacturer following a collision, rollover, or other overhead impact to ensure there is no microstructural damage, which could reduce its effectiveness. Avoid welding, straightening segments, or attempting repairs on the roll bar. Likewise, refrain from drilling holes or welding anything to it, as this will compromise its structural integrity.
- Before using the mower for the first time:
 1. Make sure the mower's gross weight, including attachments, payload, and operator, is below the maximum weight stated on the roll bar label.
 2. Check for missing, damaged, or loose hardware. Make sure all of the components are in place and securely attached.

3. Check for proper installation of the components of the roll bar. If you have questions, consult your authorized servicing dealer.

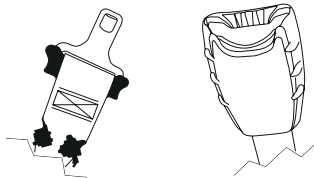
- **Before each use or daily**—Inspect the roll bar and mounting hardware for:
 1. Deformation or twisting of the roll bar.
 2. Missing or damaged hardware—including hardware that cannot be re-tightened.
 3. Cracks in the metal tubing or welds.
 4. Corrosion on the roll bar or the ROPS hardware.
 5. Unauthorized welds, holes, or hardware.
 6. In addition, confirm that the roll bar label and ROPS warning information is still in place and readable.

Inspect the Seat Belt

▲ WARNING

The seat belt is another component of the roll over protection system. Inspect the seat belt regularly to ensure that it can perform its intended safety function.

- Before each use, check for wear or damage caused by normal degradation, misuse, modification, or abuse.
 1. Check for fraying, cuts, or other wear in the fabric of the seat belt.
 2. Check the seat belt for dirt and debris. Remove dirt. Confirm proper mechanical operation by testing extension and retraction of the belt and the mechanism securing the buckle and latch. If the polymer or metal parts are damaged or cracked, or if latching and releasing the buckle are difficult, or if the seat belt has any other mechanical problems, have the seat belt replaced by your authorized servicing dealer.



2.4.11 DROP-OFFS AND WATER

▲ WARNING

Drop-offs around steps and water are a common hazard. Never operate your mower down a slope towards water, a retaining wall, or other drop-off. Use extra caution when operating the mower in the vicinity of such hazards.

▲ WARNING

To reduce the risk of falling into water, down steps, or over the edge of a drop-off, always leave yourself two mower widths of clearance between your mower and the hazard. Failure to maintain sufficient clearance may result in serious injury, death, or drowning.

▲ WARNING

The safety interlock system must not be disconnected or bypassed. Doing so could cause the product to operate unexpectedly, resulting in personal injury.

2.4.12 SAFETY START INTERLOCK SYSTEM

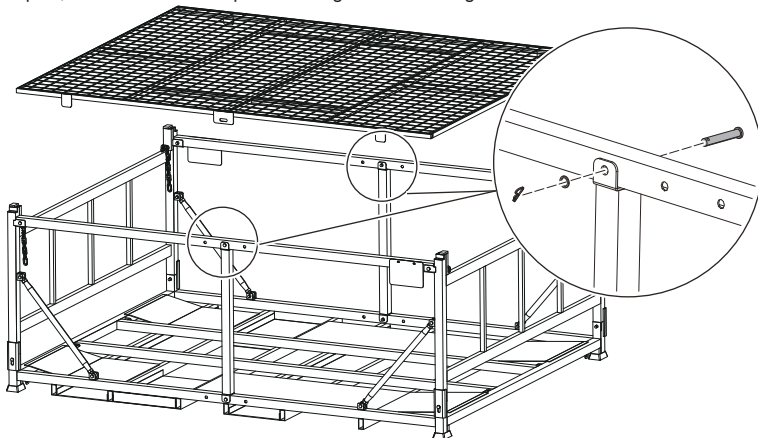
This mower is equipped with a safety start interlock system consisting of the parking brake, operator presence control switch, PTO switch and start key to protect the operator and others from accidental injury due to unintentional drive activation.

Check mower safety start interlock system daily prior to operation. This system is an important mower safety feature. It should be repaired immediately if it malfunctions. The mower incorporates a separate operator presence control switch which will stop the drive system and blade motors when the operator is not in place for any reason while the mower is operating. This is a safety feature designed to prevent runaway or accidental entanglement.

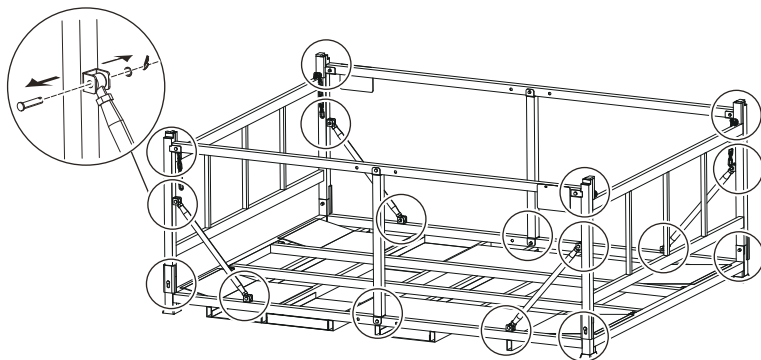
3 UNCRATE THE PRODUCT

The mower is shipped in a crate. Here is the procedure to uncrate it and drive it out.

1. Remove two pins, washers and clevis pins securing the wire netting to the frame and remove the wire netting.



2. Remove 18 pins, washer and clevis pin securing every brace to the frame and remove the braces.



3. Release or cut the four straps securing the front and rear wheel axles to the bottom frame.
4. Remove boxes containing the loose parts, assembly hardware and documentation.
5. Remove and set aside all accessible packaging and wrap from unit and parts. Do not discard the packing material until you have carefully inspected and operated the product.
6. Inspect the product carefully to make sure no breakage or damage occurred during shipping.

▲ WARNING

When assembling loose parts to your mower, verify the part is assembled correctly, is properly tightened, and is torqued correctly (where applicable) before proceeding to the next assembly step. Use of a mower that may have been improperly assembled could result in serious personal injury.

▲ WARNING

Carefully read and understand the manual before driving the mower off of the frame. Failure to follow these instructions can result in loss of control and result in death, serious personal injury, or property damage.

4 ASSEMBLY

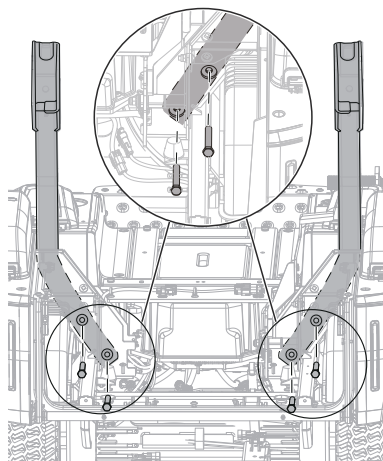
This section describes how to assemble and adjust the product.

▲ WARNING

CAREFULLY READ AND UNDERSTAND THE SAFETY CHAPTER AND THE ASSEMBLY INSTRUCTIONS BEFORE YOU ASSEMBLE THE PRODUCT.

4.1 INSTALL THE ROLL BAR

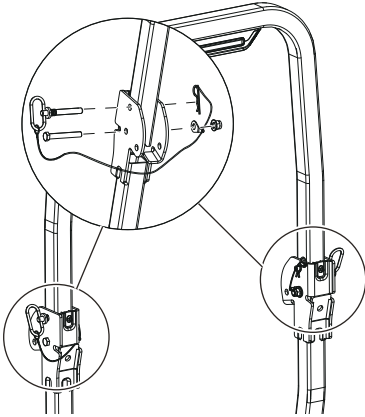
1. Align the holes of the lower roll bar with the frame. Use an 18 mm wrench to tighten the four bolts, applying torque within the range of 30 - 37 ft-lbs (40 - 50 N·m).



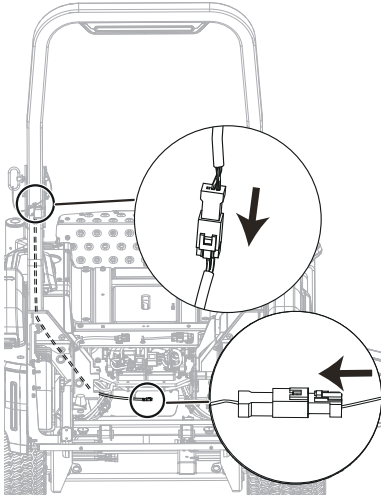
Note: In order to ensure proper alignment, avoid fully torquing all bolts until the very end.

2. Align the holes of the top roll bar with the lower roll bar. Install bolts, washers, and nuts in the bottom

hole. Tighten with an 18 mm wrench applying torque within the range of 15 - 22 ft-lbs (20 - 30 N·m). Insert clevis pins and R pins into the top hole to secure the top roll bar in the raised position.



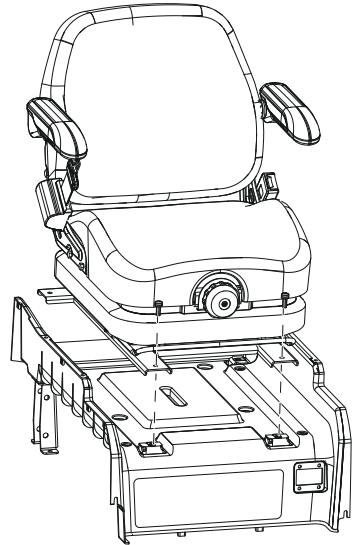
3. At the middle and bottom sections of the roll bar, connect the corresponding wire connectors.



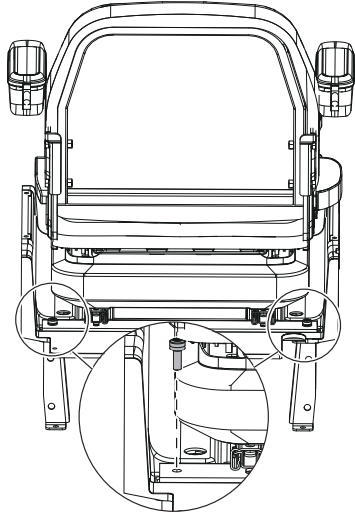
4. Make sure all nuts and bolts are torques to the mentioned values above.

4.2 INSTALL THE SEAT

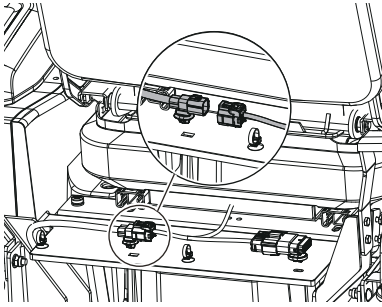
1. Position the seat assembly over the seat panel and align holes.
2. Install two bolts on the front of the seat and tighten securely with a T40 wrench applying torque within the range of 14 - 18 ft-lbs (20 - 25 N·m).



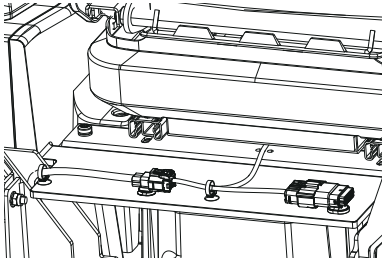
3. Pull the seat adjustment lever to move the seat forward and expose the two mounting holes in the back. Install the two bolts and tighten securely.



4. Connect the wire connector to the seat plug located behind the seat. Ensure the plugs are securely attached.

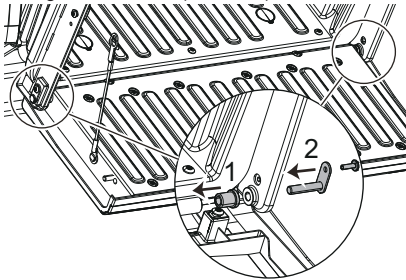


5. Secure the cables into the clips on the panel.

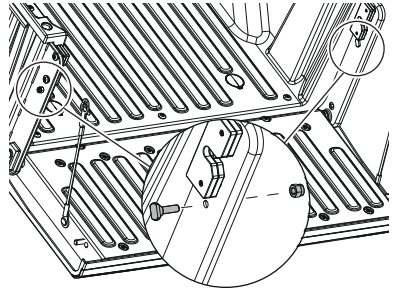


4.3 INSTALL THE TAILGATE OF THE REAR STORAGE BIN

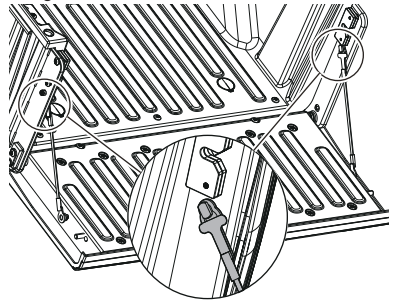
1. Insert the nylon bushing and the rotation shaft to the pipe of the rear tailgate.
2. Install a bolt through each rotation shaft and tighten securely with a T30 wrench, applying torque within the range of 3 - 4 ft-lbs (4 - 6 N·m).



3. Install the bolts and nuts to secure the top of the rear storage bin. Ensure that the nuts are positioned outside the storage bin. Use a 10 mm wrench applying torque within the range of 2 - 3 ft-lbs (3 - 4 N·m).



4. Securely suspend the tailgate cable on the bolts ensuring that the metal sheet sides face outward.



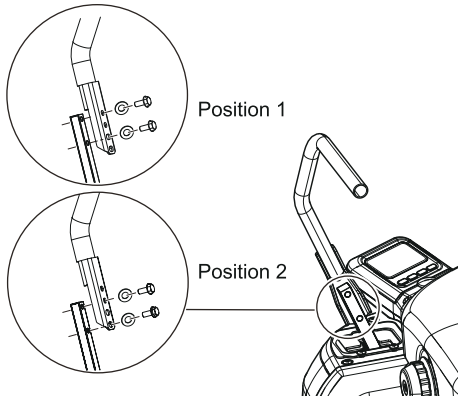
4.4 INSTALL THE STEERING CONTROL LEVER

The two levers control the mower's speed, direction, stopping, neutral lock, and parking brake, serving to steer, adjust speed, reduce speed, stop, and change direction.

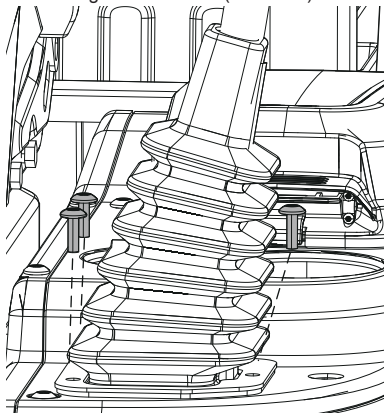
▲ WARNING

The left and right steering levers should be adjusted so that they align and mirror each other when in the neutral position. NEVER install the steering levers in an asymmetrical operating height.

1. Lift the steering control lever to align the holes in the lever with the holes in the mounting pole.
2. Select the preferred steering-lever operating height. Insert the screw together with the washer into the hole. Secure the screw as close to the center of the hole as possible to ensure proper alignment.



- Use a 16mm wrench to tighten the steering control lever bolts, applying torque within the range of 14 - 22 ft-lbs (20 - 30 N.m).
- Fasten the rubber cover of each lever by tightening three screws with a T30 wrench and applying torque within the range of 4 - 6 ft-lbs (5 - 8 N.m).



- After installing both rubber covers, ensure that both handles mirror each other and automatically align after being pulled backwards.

▲ CAUTION

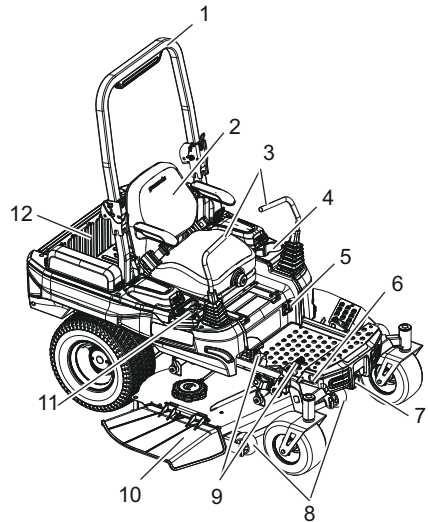
Do not install the steering control levers in reverse.

Note: Always drive with both hands on the steering control levers. Do not drive with just one hand.

5 FEATURES AND CONTROLS

The following section provides a brief description of the function of individual controls. For information on starting, stopping, driving, and mowing, refer to the **Operation** (Reference 7) section.

5.1 PRODUCT CONTROLS



- | | |
|---------------------------|---|
| 1 Roll bar | 8 Anti-scalp wheels |
| 2 Suspension seat | 9 Foot pedal & Deck height adjustment pin |
| 3 Steering control levers | 10 Discharge chute |
| 4 Cup holder | 11 Control panel |
| 5 Charging port | 12 Rear storage bin |
| 6 ETO socket | |
| 7 Front hitch | |

5.1.1 SUSPENSION SEAT

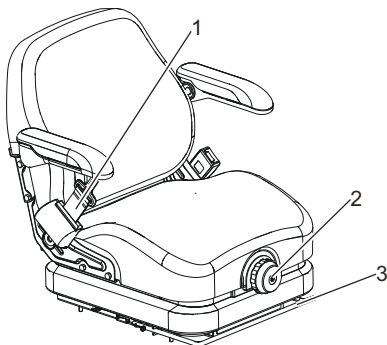
The mower is equipped with a suspension seat. This seat has several additional options. See the figure and list below for the location of the seat's features and brief description of their function.

- Retractable Seat Belt:** The seat belt is used to secure the operator in the seat.

Note: The seat belt should always be worn when the roll bar is in the raised position. The seat belt should never be worn when the roll bar is in the down position.

- Suspension Adjustment Knob:** The suspension adjustment knob adjusts the suspension of the seat. Turn the adjustment knob until the display scale has a reading that matches the weight of the operator.

- Seat Adjustment Lever (Forwards / Backwards):** The seat can be adjusted forward and back. Lift the seat adjustment lever and hold, position the seat as desired, and release the lever to lock the seat in position.

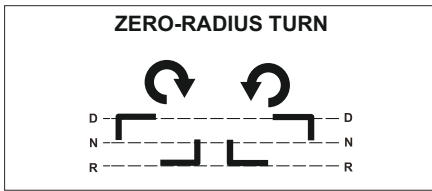
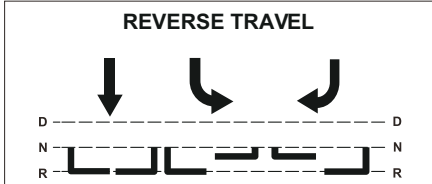
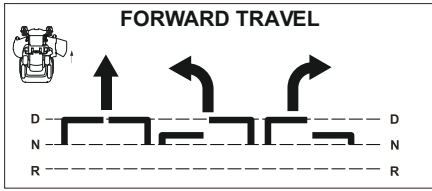


▲ WARNING
 Be sure the seat is locked before operating the mower. A seat that is not secure can cause the operator to shift and lose control of the mower and result in possible death or serious personal injury.

5.1.2 STEERING CONTROL LEVER



The steering control levers control the direction of the mower.

FRONT OF MOWER FACES THIS DIRECTION



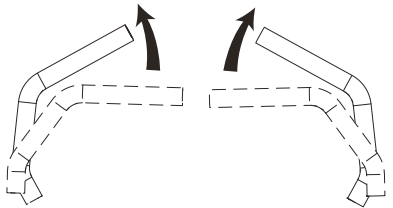
N = NEUTRAL POSITION
 D = DRIVE POSITION
 R = REVERSE POSITION

Direction of arrows indicate direction of mower movement

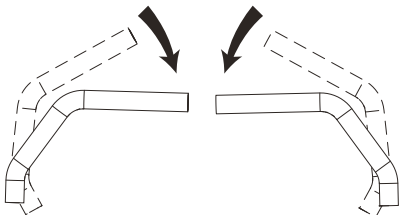
-  Left steering control lever
-  Right steering control lever

The left steering control lever controls the left rear drive wheel and the right steering control lever controls the right rear drive wheel.

Tilting both steering control levers outwards from the NEUTRAL position will engage the parking brake.



Tilting steering control levers in towards the NEUTRAL position will disengage the parking brake.

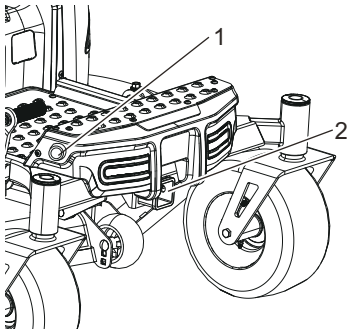


Note: The further a steering control lever is moved away from the neutral position, the faster the drive wheel will turn.

See the **Zero-turn Mower Driving Practice** section (Reference 7.6) for steering instructions.

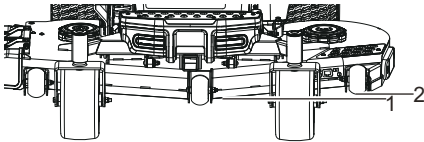
5.1.3 ELECTRIC TAKE OFF (ETO) SOCKET

The mower can be used with other attachments designed specifically for this unit, such as an accessory blower. The attachments can be powered by the mower with the ETO socket (1) in the front part of the mower and mounted to the front hitch (2) if the attachment has the matched port.



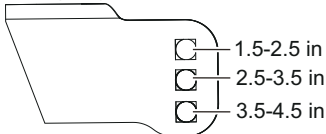
5.1.4 ANTI-SCALP WHEELS

These anti-scalp wheels are designed to minimize scalping when mowing on rough, uneven terrain. After setting the cutting height, adjust the anti-scalp wheels (2) so they extend below the deck but do not contact the ground. They should always be at least 1/4" to 3/4" below the deck (1). With the mower sitting on a flat level surface, the wheel position can be adjusted up or down as needed from 3/4" to 1-3/4" from the anti-scalp wheels (2) to the ground.



Move the wheels up or down - using the different axle mount holes in the wheel mount bracket (if applicable on model).

1. After adjusting the cutting height, adjust the anti-scalp wheels by removing the locking flange nut, the hex bolt which fix the wheels.
2. Select a hole so that the wheel is positioned to the corresponding height-of-cut desired.



Note: For cutting height over 4.5 inches (114 mm) use the bottom hole. The anti-scalp wheels will be effective against scalping.

3. Install the locking flange nut and the hex nut.
4. Repeat the adjustment on the other anti-scalp wheels.

5.1.5 FOOT PEDAL & DECK HEIGHT ADJUSTMENT PIN

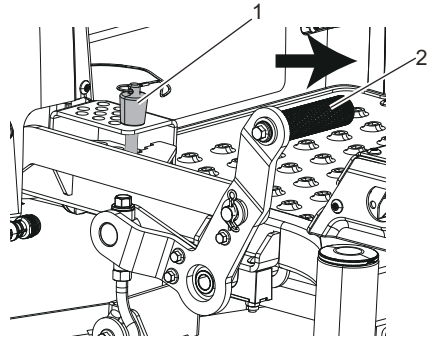
Before using the mower, raise the deck height to the cutting position best suited for your lawn.

When transporting the mower, adjust the deck height to 5.5" by stepping on the foot pedal to the end and lock.

Cutting height is adjustable from 1.5-4.5 inches. Deck should be raised to avoid stumps, rocks or other obstacle that might damage mower deck.

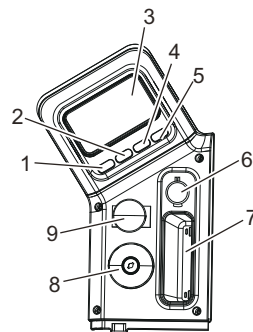
To adjust the cutting height:

1. Stop the mower and disengage blades.
2. Turn the start key to OFF position and set the parking brake.
3. Step on the foot pedal (2) and push forward till the very end.
4. Choose a desired deck height, insert the height adjustment pin (1) into slot to secure.



5. Slowly release the foot pedal.

5.1.6 CONTROL PANEL



Note: Adjustments for blade speed, drive speed, and lights are only possible on the home screen.

1. **Blade Speed / Back Button:** Adjust the blade speed (cyclic). / Return to previous page.

2. **Menu / Page Up Button:** Menu / Navigate page up.
3. **Digital Display Screen:** This digital display screen shows important electrical system information. See **Digital Display Screen** under **Operation**. (Reference 7.4)
4. **Lights / Page Down Button:** Activate lights / Navigate page down.
5. **Drive Speed / Confirm Button:** Adjust the drive speed (cyclic). / Press to confirm.
6. **USB Charging Port:** Open the top cover to access the USB-A and USB-C charging ports. The mower must be activated for charging.

▲ CAUTION

Attempting to charge devices rated more than 2.1 amps could damage the USB charging port and/or the mower.

7. **Phone Slot:** Mobile device storage.

8. **Ignition Switch:** This switch is used to turn the mower on and off. The start key must be inserted before the switch can be operated.

9. **PTO (Power Take Off) Switch:** The PTO switch engages and disengages the mower blades. Pull UP on the switch to engage, and push DOWN to disengage.

▲ CAUTION

Do not engage PTO switch when the deck is under load. Failure to do so may damage the motor and/or deck.

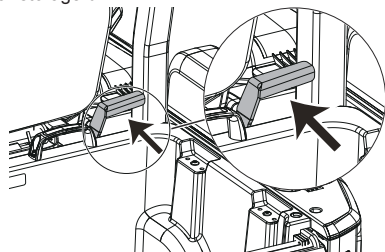
5.1.7 REAR STORAGE BIN

The mower's rear storage bin can transport various tools or materials, with a maximum load capacity of 200 lbs. It is equipped with a tipping mechanism for unloading materials.

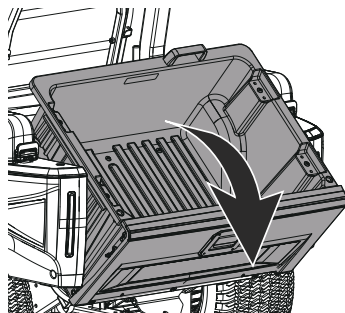
▲ WARNING

When driving on the slope, the maximum load capacity of the rear storage bin is 90 lbs.

1. Move the release lever forward to disengage the rear storage bin.



2. The rear storage bin will tip backward.



3. To return the storage bin to its original position, push the release lever forward, then push the rear storage bin forward until it securely locks onto the release lever hook.

6 ELECTRICAL SYSTEM

6.1 ELECTRICAL SYSTEM SAFETY

To reduce the risk of serious personal injury from fire or electric shock when working on the electrical system:

- Always remove the start key and batteries, and read operator manual before working on this product.
- Always remove the start key and batteries when transporting the product.
- Keep the product free of grass clippings, leaves and other debris. DO NOT use water to clean the product. Use only compressed air. Wear adequate eye and hearing protection when cleaning the product.
- Always wear protective gear (safety glasses, face shield and gloves) when working with the battery. Use insulated tools.
- Clean the product of all dirt and debris. Do not use solvents, hard cleaners or abrasives.
- Keep the area clear of bystanders when engaging the PTO switch.
- Never allow flames, sparks or smoking near the product or batteries.
- Keep the product and batteries out of reach of children.
- Always keep protective shields, covers and guards in place and securely fastened. If they become damaged, repair or replace immediately. Never modify or remove safety devices.

6.2 ELECTRICAL SYSTEM INFORMATION

The product is powered by an 82V electrical system. It consists of the following components:

1. Blade controller (1)
2. Blade motor (3)
3. Drive controller (2)

4. Accelerator - right (1)
5. Accelerator - left (1)
6. Digital display (1)
7. Wheel motor (2)
8. Battery (6)
9. Front light (2)
10. Front fender light (2)
11. Rear light (2)
12. ROPS light (1)
13. ETO socket (1)

7 OPERATION

This section describes how to operate the product.

▲ WARNING

CAREFULLY READ AND UNDERSTAND THE SAFETY CHAPTER AND OPERATION INSTRUCTIONS BEFORE YOU OPERATE THE PRODUCT.

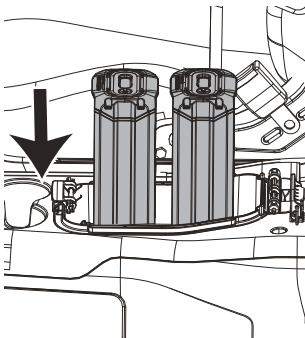
7.1 BEFORE OPERATION

7.1.1 CONNECT THE BATTERIES TO THE PRODUCT

▲ WARNING

Only use genuine Greenworks batteries with the product.

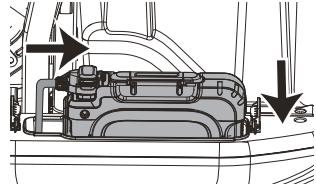
1. Make sure that the batteries are fully charged.
2. Press the release button to open the small battery compartment cover.
3. Push the small batteries into the battery compartment. The battery locks into position when you hear a click.



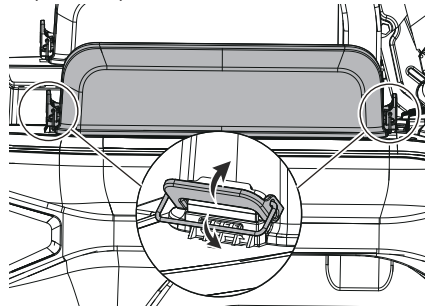
▲ CAUTION

If the battery does not move easily into the rectangular compartment, the battery is not installed correctly. This can cause damage to the product.

4. Push the suitcase battery into the large battery compartment. The suitcase battery locks into position when you hear a click. Connect the plug to the suitcase battery.



5. Put the large compartment cover on the compartment, pull the latches to lock the cover.



7.1.2 RAISE AND LOWER THE ROLL BAR

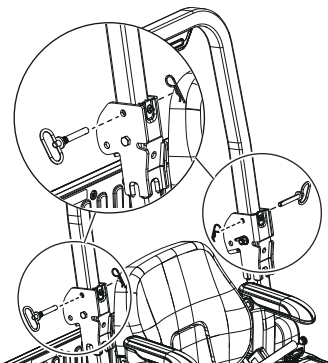
▲ WARNING

Avoid serious injury or death from roll over:

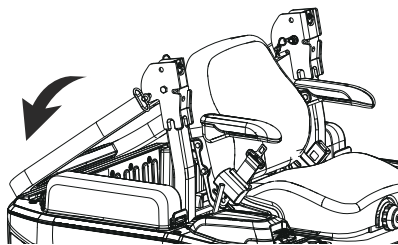
- Wear seat belt when the roll bar is raised.
- There is no rollover protection when the roll bar is lowered.
- Lower the roll bar only when necessary and NEVER remove it.
- Do NOT use seat belt with the roll bar down.
- Raise the roll bar when space allows.
- Do NOT jump off if the mower tips.

To lower the roll bar:

1. Extract R pins from clevis pins.
2. Remove clevis pins. Adjust the top bar if needed to free the pins from the roll bar.



3. Lower the roll bar.
4. Install the clevis pins and R pins to secure the roll bar down.



To raise the roll bar:

1. Raise the top roll bar into the raised position.
2. Insert the clevis pins through the roll bar.
3. Then install the R pins into the clevis pins.

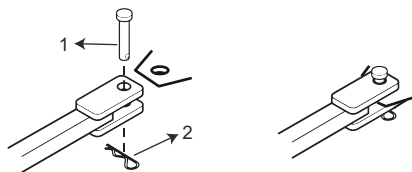
7.1.3 REAR TRAILER HITCH

▲ WARNING

Towing loads can be risky, especially on slopes.

- Max total weight (trailer & load) should not exceed 300 lbs (136 kg).
- Max tongue weight should be under 45 lbs (20.2 kg).
- Avoid slopes over 10 degrees.
- Slow down and be cautious on slopes.
- Do not tow with a grass catcher.

Secure the trailer using the appropriate clevis pin (1) and R pin (2).

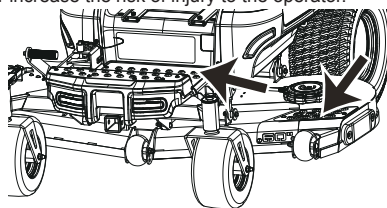


Excessive towed loads affect traction and control on slopes. Lighten the load on slopes. Surface conditions impact traction and stability. Wet or slippery surfaces reduce traction, impacting stopping and turning. Evaluate the terrain before using the unit and trailer, avoiding slopes steeper than 10 degrees.

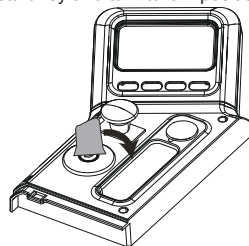
7.2 START THE PRODUCT

Note: Clear the area of bystanders before operating the mower. If anyone enters the mowing area, stop immediately and do not return to mowing until the bystanders leave the area.

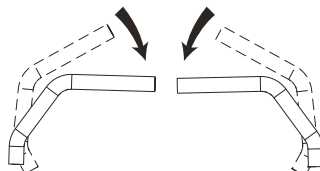
1. Get on the mower from the footrest on the left side of the deck. Accessing the operator's seat from other directions may cause damage to the mower or increase the risk of injury to the operator.



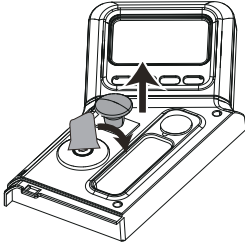
2. Raise the mower deck to its highest position. See **Foot Pedal & Deck Height Adjustment Pin** section under **Features and Controls**. (Reference 5.1.5)
3. Insert the start key and turn to ON position.



4. Pull steering control levers inward to the NEUTRAL position.



5. Pull up PTO switch to engage blades for mowing.



Note: Engage blades only after steering control levers are moved into the NEUTRAL position. NEVER engage blades when mowing!

6. Push steering control levers forward for forward motion and pull for reverse motion.

Note: Use caution when crossing over gravel paths or driveways. Before crossing, disengage the blades and raise the cutting deck to the highest position to minimize the possibility of ricochet. Drive slowly to avoid loss of traction and control.

Note: Do not attempt to change the direction of operation while the mower is in motion. Always come to a complete stop before changing the mower direction.

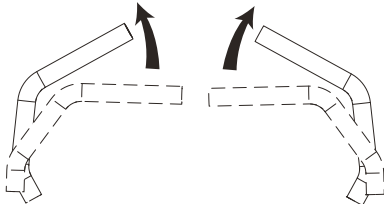
Note: Steering control levers will spring back towards the neutral position if released from behind, but it is important to manually guide them to reach the neutral position.

7.3 STOP THE PRODUCT

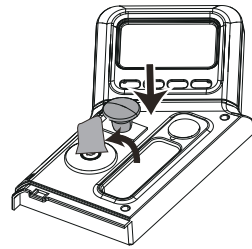
▲ DANGER

Never make sudden stops or reverse direction, especially when maneuvering on a slope. The steering is designed for sensitive response. Rapid movement of the steering control levers in either direction could result in a reaction of the product that can cause serious injury.

1. Drive the mower to a flat, level surface and return the steering control levers to the NEUTRAL position to stop the mower's movement. Push the steering control levers outward to engage the parking brake.

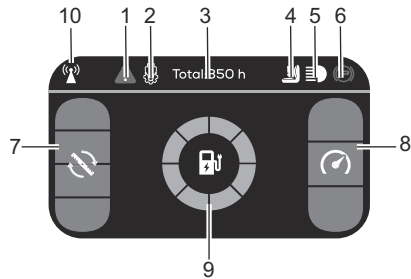


2. Push down PTO switch to disengage the blades.
3. Rotate start key to the OFF position. Remove the start key.



7.4 DIGITAL DISPLAY SCREEN

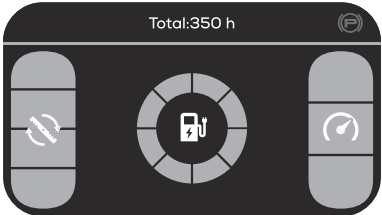
The function of the digital display, located on the control panel, is to provide electrical system information to the operator. It gives detailed information in the form of patterns, codes and numbers.



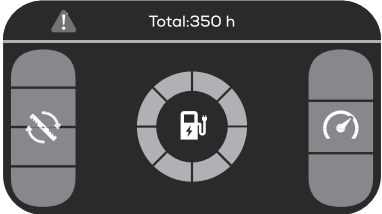
#	Name	Function
1		Error warning. Check the error code.
2		ETO device is under operation. If it blinks, the device is connected.
3	Total: 350h	Working time
4		User presence needed to operate.
5		LED Lights activated.
6		The parking brake is engaged. If the icon is blinking, neutral bypass function is activated.
7		Blade speed
8		Drive speed
9		Battery level
10		4G GPS Signal

7.4.1 HOME SCREEN

- 1. The drive speed has 3 levels and the blade speed has 4 levels. Press the Blade Speed button and Drive Speed button on the control panel to adjust. The level of the green icon at each side indicates the current driving speed or blade speed.



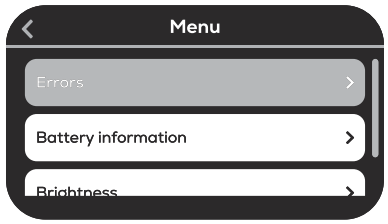
- 2. If the drive/blade system has errors, the driving/blade speed bar will turn gray until the error is cleared.



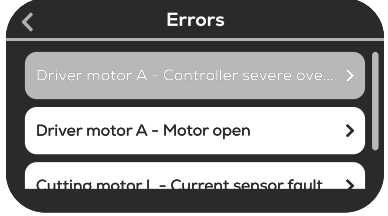
7.4.2 MENU

- 1. Press the Menu Button to go to the menu page. You can set 5 items including Errors, Battery information, Brightness, Language, ETO.

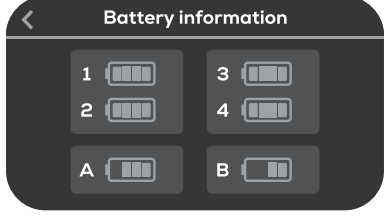
Item	Function
Errors	This page shows the error contents and suggestions.
Battery information	This page shows the battery status.
Brightness	Select your desired screen brightness.
Language	Select the digital display screen language.
ETO	This page shows the ETO device status.



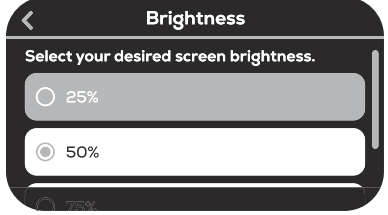
- 2. Select the Errors, and press the Confirm button to enter the Errors page. This page will show all the errors. Choose the specific error name and press the Confirm button to read the suggestions. Press the Back button to exit.



- 3. Press the Page Down button to select the Battery information, and press the Confirm button to enter the battery information page. This page shows batteries working status. Green icon - the battery is working properly. Red icon - the battery is too hot. Grey icon - the battery slot is empty or the battery is completely dead.



- 4. Press the Page Down button to select the Brightness, and press the Confirm button to enter the brightness page. Select your desired screen brightness. Press the Back button to exit.



- Press the Page Down button to select the Language, and press the Confirm button to enter the language page. Select the language you need. Press the Back button to exit.



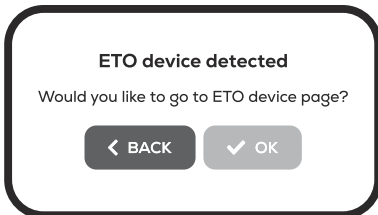
- Press the Page Down button to select the ETO, and press the Confirm button to enter the ETO page. Press the Back button to exit.



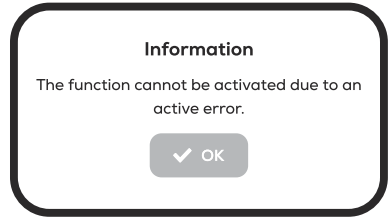
7.4.3 ELECTRIC TAKE OFF (ETO) SOCKET FOR CONNECTING ACCESSORIES

The ETO allows this mower to be used together with special accessories.

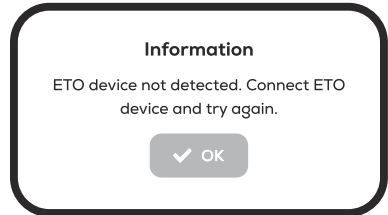
- When accessories are mounted on the mower and plugged into the front or rear ETO socket, a pop-up will show on any page except on the ETO page. Press the Confirm button to enter the ETO page. When the ETO device is activated, the icon will turn green.



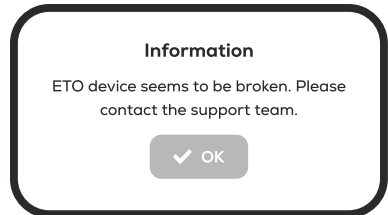
- When ETO device can't be activated because of mower error, the screen will show as below. Press the Confirm button to check the errors.



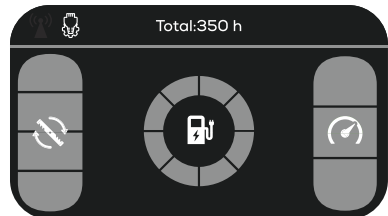
- When the ETO device is not detected, the screen will show as below. Press the Confirm button to confirm.



- When the ETO device seems to be broken, the screen will show as below. Press the Confirm button to confirm.

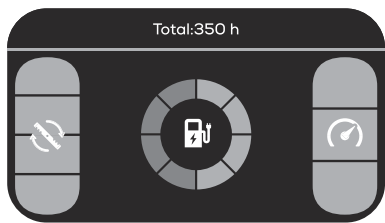


- Press Back button to return to the home page. The ETO icon will show on the screen if the ETO device is activated.

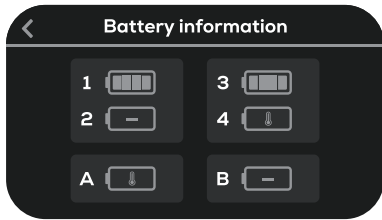
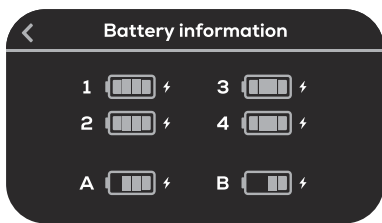


7.4.4 CHARGING

- While the product is charging, the digital display will indicate the battery level on the home screen. Charging information will also be visible in the Battery Information section of the menu.



- 2. The battery information will also be visible in the Battery Information section of the menu. The green icon indicates that the battery is working properly, the red icon indicates the battery is overtemperature and the the grey icon indicates the battery compartment is empty or the battery is completely dead.



7.5 APP OPERATION TIPS

7.5.1 REGISTRATION AND LOGIN

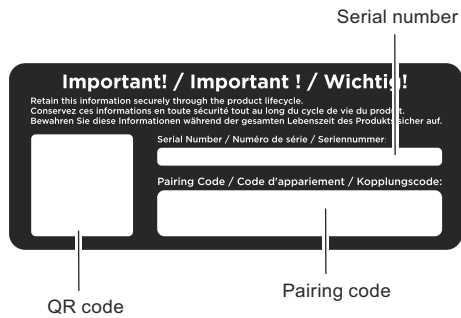
- 1. Visit the website of Fleet Management: fleet.greenworksccommercial.com.
- 2. Create an account and then log in.
- 3. Invite other users in your organization.
- 4. Scan the QR code of app below, download the app and log in.



Note: Please reference Greenworks Commercial App Pairing Page for more details on connecting your machine.

- 5. Add a device by typing in serial number and pairing code or by scanning QR code on matching label.

Note: The QR code on vehicle matching label on this manual is generated from serial number and pairing code.



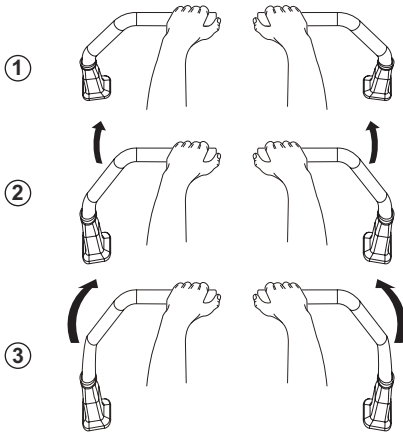
7.6 ZERO-TURN MOWER DRIVING PRACTICE

Prior to operating the mower, ensure you have studied the **Features And Controls** (Reference 5) section to grasp control functions. Using the steering control levers to master smooth and efficient control over forward, reverse, and turning requires practice. Familiarize yourself with acceleration, travel, and steering by practicing maneuvers in a clear, open lawn area, free of obstacles and hazards. Drive at low speeds to prevent tire slippage and lawn damage. Start with the smooth travel procedure and progress through forward, reverse, and turning maneuvers.

7.6.1 SMOOTH TRAVEL

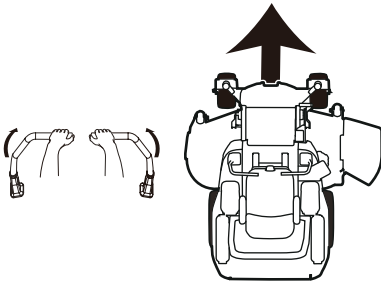
The mower's steering control levers are quick to respond. The optimal approach for managing these handles involves three steps:

- 1. Place your hands onto the levers.
- 2. To move forward slowly, push the levers forward with your palms.
- 3. To reach the maximum of the set speed, move the levers farther forward. For a gentle deceleration, move the levers towards neutral.



7.6.2 BASIC DRIVING

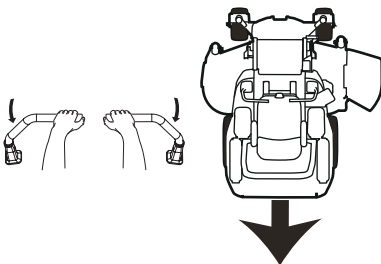
Forward Travel Practice



Move both steering control levers evenly and gradually forward from neutral. Practice slowing down and repeating.

Note: Mastering straight forward travel requires practice. Adjust the speed as needed.

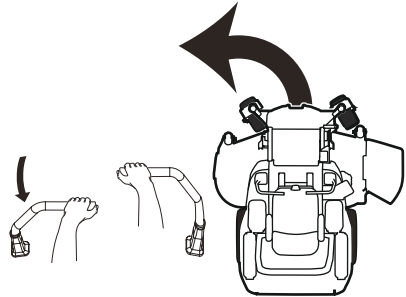
Reverse Travel Practice



Look behind and down, then gradually pull both steering control levers evenly back from neutral. Practice slowing down and repeating.

Note: Spend several minutes practicing reverse before doing so near objects. Remember, the mower turns sharply in reverse, similar to forward motion, and backing up straight requires practice.

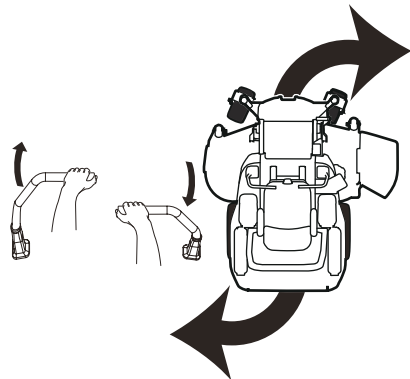
7.6.3 PRACTICE TURNING AROUND A CORNER



While moving forward, gently bring one steering control lever back towards neutral. Practice this repeatedly.

Note: To prevent pivoting directly on the tire tread, ensure both wheels maintain a slight forward motion.

7.6.4 PRACTICE TURNING IN PLACE



For a "zero-turn" maneuver, gradually move one steering control lever forward from neutral while moving the other handle back from neutral simultaneously. Practice this several times.

Note: Adjusting the extent of pulling each steering control lever forward or back alters the turning "pivot point."

7.6.5 ADVANCED DRIVING

Your zero-turn mower's exceptional feature of turning in place allows you to pivot at the row's end instead of stopping and performing a Y-turn before commencing a new row.

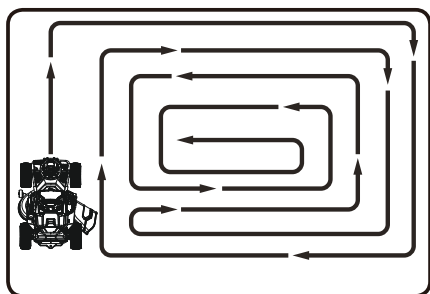
Here's how to execute a left end-of-row zero turn:

1. Gradually decelerate at the row's end.
2. Slightly push the RIGHT steering control lever forward while moving the LEFT steering control lever back to its center and then slightly back.
3. Resume forward mowing.

By adopting this approach, the mower turns left and slightly overlaps the recently cut row, eliminating the necessity to backtrack and recut any missed grass.

7.7 MOWING

Select a smooth, level area to mow. Be cautious of trees, fences, and slopes. Mow in straight lines, slightly overlapping. Occasionally change patterns to prevent flat spots. For a professional touch, mow across once and then go perpendicular on the next round.



When mowing expansive spaces, begin by turning towards the right to ensure that clippings are directed away from shrubs, fences, driveways, and other areas. After completing one or two rounds, mow in a back-and-forth pattern across the lawn, pivoting at the edges of the previously mowed grass.

7.8 MOWING PATTERNS

7.8.1 SIDE-DISCHARGING

Side-discharging is a mowing technique that efficiently processes a larger volume of grass in a single pass. This method involves expelling grass clippings to the side of the mower deck and dispersing them across the lawn. The side-discharge deck design allows for effective cutting even in high grass conditions, making it ideal for larger areas where expedited mowing is essential. For optimal mowing, set blade speed to the highest level. If the motor slows, reduce drive speed. Slower drive speed boosts blade efficiency and prevents cutting issues. Choose side-discharging mowing for 3-5 inch grass. Avoid cutting more than 1 inch at once.

7.8.2 MULCHING

Mulching offers versatile benefits, finely cutting grass and returning clippings to the soil. Remember, mulching works best on dry and moderate-height grass. For

successful mulching, set the blade speed highest and match it with the slowest driving speed. This ensures finely cut clippings. When mulching, drive at about half the speed used for broadcasting.

Optimal Clipping Length

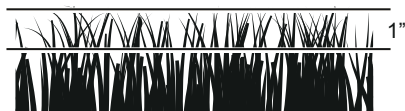
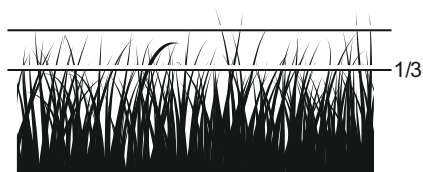
Ideal mulching trims just the top ½ - ¾ inch of grass, resulting in decomposing clippings. Experiment with cutting height based on your climate, season, and lawn thickness. As always, mow thoughtfully and consider your lawn's unique conditions for the best results.

7.9 MOWING RECOMMENDATIONS

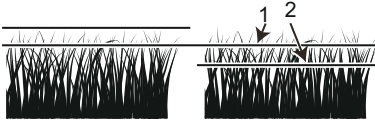
Multiple factors impact your mower's grass-cutting efficiency. Adhering to mowing guidelines enhances performance and longevity.

7.9.1 HEIGHT OF GRASS

Cutting height often depends on preference. Typically, mow when grass is 3-5 inches high. Proper height varies based on grass type, rainfall, temperature, and lawn health. Cutting too short weakens grass and makes it prone to damage by dry periods and pests. Slightly longer grass is less prone to damage. Longer growth in hot, dry conditions reduces heat stress, conserves moisture, and guards against damage. Keeping the grass too long leads to thin turf and problems. Don't cut too much at once; follow the 1/3 rule: trim a maximum of 1/3 and no more than 1 inch at a time.



Mowing capacity depends on your chosen mowing system. Broadcasting with side discharge decks handles more grass than mulching. Tall grass needs gradual cutting. For very tall grass, begin with max height (1), then lower it for the second (2) or third pass. Avoid leaving excessive clippings on top of the grass. Consider a grass collection system or composting. Remember, different systems are suited to different situations.



7.9.2 WHEN AND HOW OFTEN TO MOW

The timing and grass condition significantly influence mowing outcomes. Follow these guidelines for best results:

- Mow when grass height is between 75-125 mm (2.95 - 4.92 inches).
- Use sharp blades for precision. Short clippings under 25 mm (0.98 inches) decompose faster, and sharp blades prevent frayed edges.
- Choose a cool and dry time of day for mowing, like late afternoon or early evening.
- Avoid mowing after rain or heavy dew. Never mulch wet grass as it clumps beneath the mower deck and doesn't mulch effectively.

8 TRANSPORTATION

8.1 TRANSPORT THE MOWER

▲ CAUTION

Do not tow this mower, it may cause damage to the drive system.

▲ WARNING

Do not load mower on a trailer or truck using two separate ramps. Only use a full-width ramp that is at least 305 mm (1 ft) wider than the width of the rear wheels of the mower. The rear wheels could fall off the ramps or the unit could tip over injuring the operator or bystanders. Ensure the cutting deck is raised to the highest position so it does not get caught on the ramp.

1. Park the mower on a level surface.
2. Raise the cutting deck to the highest position.
3. Position and secure ramp to the trailer according to manufacturer's instructions.
4. Use a full-width loading ramp that is at least 305 mm (1 ft) wider than the mower to reduce the risk of driving off the side of the ramp.
5. Slowly drive the mower onto the ramp and into the trailer.
6. Set the parking brake.
7. After loading, lower mower deck completely.
8. Secure the mower as needed using straps or cables to prevent movement during transport.

▲ WARNING

To avoid accidental starting or movement that could result in serious personal injury, always remove the start key and engage the parking brake when transporting the mower.

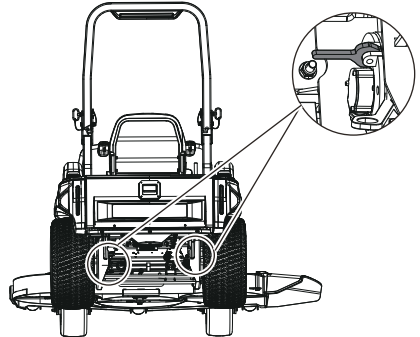
8.2 TRANSPORT THE LITHIUM-ION BATTERY

The US Department of Transportation and international transportation authorities require that lithium-ion battery be transported using special packaging and only be transported by carriers certified to haul them. In the US, you are allowed to transport a battery when it is installed on the mower as battery powered equipment, with some regulatory requirements. Contact the US Department of Transportation or the appropriate government body in your country for detailed regulations on transportation of your battery or the mower with the battery equipped. For detailed information on shipping a battery, contact your authorized Greenworks servicing dealer.

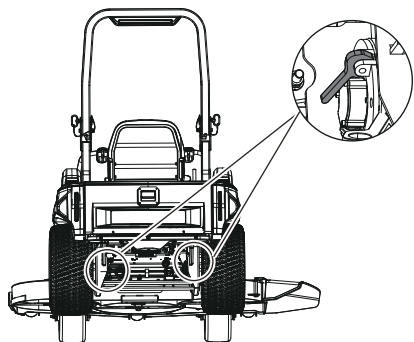
8.3 NEUTRAL BYPASS LEVER

The neutral bypass levers disengage the drive system that connects the engine power to the wheels and may be used when you need to manually push or move the mower without the engine running.

- Locate the neutral bypass levers situated underneath the rear of the mower's frame. These levers individually manage the drive wheels.
- Push the lever outwards to unlock the levers to release the drive brakes.



- Push the lever inward to lock the levers for regular operation.



▲ WARNING

Never drive mower with the neutral bypass lever disengaged. Always engage the neutral bypass lever to the original position before driving! Failure to engage the lever could cause serious damage to your mower and void mower warranty!

▲ WARNING

Never unlock the neutral bypass levers when the mower is on a slope. Once the levers are released, the mower can roll freely and does not have a brake. Releasing the lever on a slope could lead to loss of control and increase the risk of serious personal injury.

8.4 MOVE THE MOWER MANUALLY

To push the mower manually:

1. Disengage the blades and push the steering control levers outward to engage the parking brake.
2. Turn the start key to the OFF position. Remove the start key, and wait for all moving parts to stop before leaving the operating position.
3. Return the steering control levers to the NEUTRAL position then unlock the neutral bypass levers to disengage the drive system.
4. Move the mower to the desired location.

▲ CAUTION

To avoid damage to the motor and drive system, do not move the product faster than 5 mph (8 km/h).

5. Immediately after moving the mower, lock the neutral bypass levers.

9 CLEAN AND STORAGE

9.1 CLEAN THE PRODUCT

- Remove any build-up of grass and leaves on or around the motor cover (Do not use water).
- Occasionally wipe the mower clean with a dry cloth.
- If debris builds up on the underside of the mower during use, stop the motor on level ground, disengage the blades, set the parking brake, shut off the product, remove the start key and use the compressed air to clean the area.

9.2 STORE THE PRODUCT

The following steps should be taken in order to prepare the product for storage.

- **Clean the Mower:** Before storing the product, thoroughly clean it as outlined in the previous section.
- **Blade Inspection and Maintenance:** Inspect the blades and replace them as detailed in the **Service the Mower Blades** (Reference 10.7) section if needed.
- **Avoid Corrosive Materials:** Keep the mower away from corrosive substances, such as fertilizer or rock salt, as these can lead to rust and corrosion on metal components like the blade, deck, motor, and frame. Keep the mower and its battery away from conductive or corrosive materials to reduce the risk of short circuit, fire, explosion and other electrical hazards.
- **Children Safety:** Store the product in a location inaccessible to children to prevent accidents.
- **Proper Covering:** Do not cover the product with a solid plastic sheet. Plastic coverings can trap moisture, which causes rust and corrosion.
- **Check for Wear and Tear:** Thoroughly inspect the mower for any worn or damaged parts that may require replacement.
- **Tire Maintenance:** Avoid deflating the tires during storage.
- **Storage Environment:** Store the product in a well-ventilated, clean, and dry area. Note that the battery charger cannot be used in a wet environment.
- **Charging Process:** Refer to the **Charging** (Reference 10.3) section and also the Battery Charger Manual for comprehensive instructions on using the charger and effectively charging the battery.

Note: By adhering to these guidelines, you can help increase the longevity of your mower during periods of storage.

10 MAINTENANCE

10.1 MAINTENANCE SAFETY

- Specific steps must be taken in order to perform service and maintenance procedures safely.
- Read and follow all the applicable safety and instructional messages in this manual.
- Always disengage the mower blades, set the parking brake, shut the mower off, remove the start key, remove the batteries and wait for all movement to stop prior to performing service and maintenance procedures.
- Wear appropriate personal protective equipment such as safety shoes, safety glasses, gloves and ear protection. Long hair, loose clothing or jewelry may get tangled in moving parts. Secure hair above shoulder level before starting work.
- Use of parts that are not authorized or approved by Greenworks may cause serious or fatal injury or property damage.

10.2 BATTERY MAINTENANCE

The mower is powered by Lithium-Ion batteries which, when maintained properly, will provide years of useful life. For proper care, adhere to the following instructions:

- Always charge battery after each use. This is especially crucial when temperatures drop below 32°F (0°C). Over-discharge will shorten battery life and risk permanent damage. If a full charging cycle is not possible immediately after cutting, a 5-10 minute cycle will help maintain battery health. Fully re-charge the battery within 24 hours after use. To maintain proper calibration, run and charge the mower at least once a month. Complete a full charge every six months.
- Keep grass, dirt and debris from collecting in battery area.
- Charge battery in an enclosed, dry area away from sparks and flames. Never expose charger to rain, water vapor or other liquids.
- Do not touch uninsulated portion of charger (terminal pins) or output connector.
- Do not use charger if cords are damaged.
- Please refer to the Battery Manual for more information of batteries.

10.2.1 ROUTINE MAINTENANCE

Routine maintenance should include cleaning and inspection.

- During the battery charging process:
 - Make sure the charging plug connects securely and fully in the socket;
 - Make sure the charger operates without faults;
 - Address any faults and have them repaired before charging.
- During the operation of the mower and when charging the battery, keep the charging port away from water and other conductive materials. Never charge when the mower is wet.
- Charging time will depend on a number of factors, including battery health, ambient temperatures and other factors. Monitor the battery for abnormal performance or behavior.

10.3 CHARGING

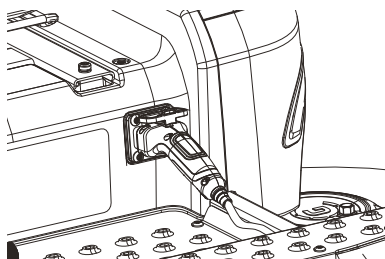
10.3.1 CHARGE THE SMALL BATTERY AND SUITCASE BATTERY

The batteries can be charged separately. The four small batteries can be charged with a separate, specific charger (not provided), and the two suitcase batteries can be charged with the mower charger.

Refer to the Battery Charger Manual for the two battery types for more charging information of the batteries.

10.3.2 CHARGE THE PRODUCT

1. The charging port is located near the footrest. Open the port cover from the battery charging port on the mower.
2. Plug the charger into the battery charging port, and make sure it is firmly plugged in.
3. Plug the charger into a power outlet, and make sure it is firmly plugged in.
4. When the mower is charging, the digital display will show the battery percentage.

**▲ WARNING**

See the Battery Charger Manual for warnings and instructions for charging. Read and understand all its safety warnings and instructions. Failure to follow them may result in electrical shock, fire and/or serious injury.

▲ WARNING

To reduce the risk of fire and explosion, keep open flames and sparks away from the mower and its batteries. Ensure proper ventilation around the mower while charging.

Charging recommendations:

- The battery does not need to be fully discharged before recharging. To maintain proper state of charge calibration, run and charge the mower at least once a month. Complete a full charge every six months.
- A battery left uncharged will slowly discharge. Before initial use each spring season, be sure battery has a full charge before mowing.
- Check the battery every six months and charge the battery if the power level is below 50%.
- When the battery level is lower than 5%, the blade motor will stop automatically, and the max driving speed will be 4 mph. The mower needs to be charged immediately.

Note: Cover the battery charging port with the port cover before mowing to prevent foreign objects from entering and causing any damage to the port.

10.4 RECOMMENDED MAINTENANCE SCHEDULES

Maintenance Service Interval	Maintenance Procedure
Before each use or daily	<ul style="list-style-type: none"> • Check the safety interlock system as mentioned in Safety Start Interlock System section (Reference 2.4.12). • Check the roll over protection system (ROPS) as mentioned in Safety Start Interlock System section (Reference 2.4.12). • Check the seat belt as mentioned in Inspect The Seat Belt section (Reference 2.4.10). • Inspect the blades. • Check for frayed and deteriorated insulations. • Check the contacts of all switches and brakes. If the P icon will show on the LED display screen, the brakes have no error. • Clean under the cutting deck. Clean the area under the operator's seat and near the battery. Remove all grass clippings, leaves, and debris from the product before starting work.
Daily	<ul style="list-style-type: none"> • Check the tire pressure.
Every 100 hours	<ul style="list-style-type: none"> • Check the wheel-lug nuts.
Before storage	<ul style="list-style-type: none"> • Remove the battery and the start key from the product. • Perform all maintenance procedures listed above and thoroughly clean the product. • Inspect the entire product for damaged, missing, or loose parts, replace or tighten the corresponding ones before storage. • Paint chipped surfaces.

10.5 CHECK TIRE PRESSURE

Tire pressure should be checked periodically, and maintained at the levels shown below. Notice that these recommendations may differ slightly from the "Max Inflation" stamped on the side-wall of the tires. Exceeding the max inflation will lead to a tire explosion. The pressures shown provide proper traction and extend tire life.

Front caster wheels	26-28 psi
Drive wheels	18-20 psi

10.6 TORQUE VALUES

▲ WARNING

Particular attention must be given to tightening the drive wheel lug nuts and blade spindle bolts. Failure to correctly torque these items may result in the loss of a wheel or blade, which can cause serious damage and/or personal injury.

Torque values are given below:

Part	Ft-lbs.	N.m
Wheel lug nuts	70-77	90-105
Blade spindle bolts	118	160

Wheel lug nuts only: It is recommended that these be checked after the first 2 hours of operation initially, then every 100 hours and following removal for repair or replacement.

10.7 SERVICE THE MOWER BLADES

10.7.1 MOWER BLADE MAINTENANCE

Inspect the mower blades on a daily basis. They are crucial for power efficiency and optimal mowing. Ensure they are sharp, as a dull blade can cause tearing instead of cutting, resulting in a brown and ragged appearance on the grass within a few hours. Additionally, a dull blade requires more power. Replace any blades that are bent, cracked, or broken.

▲ WARNING

Never attempt to straighten a bent blade by heating, or weld a cracked or broken blade as the blade may break and cause serious injury. Replace worn or damaged blades.

▲ WARNING

Never work with blades while the start key is in the ignition switch. Turn the start key to "OFF" position, remove the batteries from the product. Support the mower with certified jack stands when working beneath it. Wear gloves when handling blades. Always check for blade damage if mower strikes a rock, branch or other foreign objects!

- The blade sail (curved part) must be pointing upward toward the inside of the deck to ensure proper cutting.
- Rotate blades after installation to ensure blade tips don't touch each other or the sides of the mower.
- Ensure correct torque on the bolt to prevent potential blade loss, which may result in serious injury.
- Mower blades are sharp and capable of cutting. Always wear gloves and exercise extra caution during servicing.

10.7.2 REMOVE THE MOWER BLADES

▲ WARNING

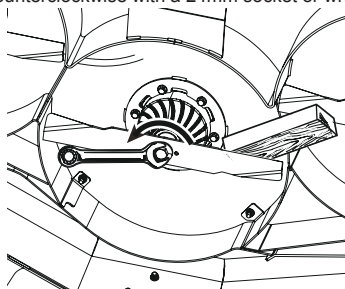
Mower blades are sharp. Always wear gloves when handling or working near mower blades.

1. Park the mower on a flat level surface, disengage the PTO and pivot the steering control levers outward to engage the parking brake. Shut off the mower, remove the start key and batteries.
2. Use a jack stand to lift the front of the mower chassis upward for easier access to the blades. The jack stand can be put against the front hitch. Ensure the mower is secure before working underneath it.

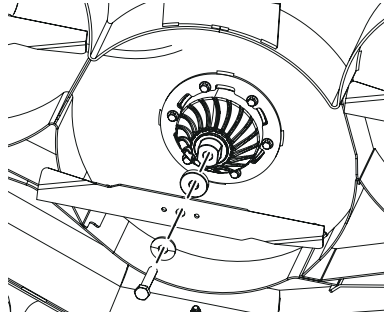
▲ WARNING

Make sure the mower is secured when it is lifted by the jack stand and while working on it.

3. Place a block of wood between the blade and the deck to prevent it from spinning while you work.
4. Loosen the blade bolt by rotating counterclockwise with a 24mm socket or wrench.



5. Remove the blade bolt, spacer, blade, and blade support.



10.7.3 INSPECT THE MOWER BLADES

A worn or damaged mower blade has the potential to break, leading to fragments being propelled into the operator's or bystander's area, causing severe personal harm or death. Inspect it before each use. Halt operation if the mower hits an object and inspect for damage.

▲ WARNING

Mower blades are sharp. Always wear gloves when handling or working near mower blades.

- Remove the mower blade from the mower. See **Remove the Blades** (Reference 10.7.2).
- Inspect the mower blades to assess whether they are blunt and require sharpening or display signs of damage and should be replaced. Blades showing cracks, corrosion, rust, excessive wear or bending should be discarded.

10.7.4 INSTALL THE MOWER BLADES

▲ WARNING

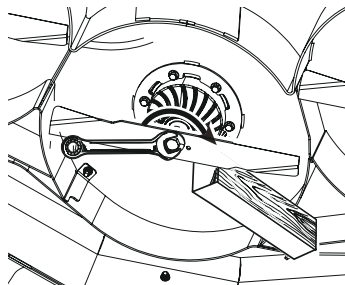
Mower blades are sharp. Always wear gloves when handling or working near mower blades.

1. Install the new blades following the specified sequence: blade support, blade, spacer, and blade bolt. Ensure that the blade sail (curved part) is pointing upward toward the inside of the deck.

▲ WARNING

Incorrect orientation of the blades can damage the cutting deck and impact the mower's stability which can affect operator's safety.

2. Securely tighten the blade bolts by rotating clockwise with a 24 mm socket or wrench. Torque to 118 Ft-lbs (160 N.m).



11 TROUBLESHOOTING

PROBLEM	POSSIBLE CAUSE	CORRECTIVE ACTION
Product won't move.	There is no battery installed in the battery compartment or the battery is not an official Greenworks battery.	Use only official Greenworks battery (or batteries). At least one is required for operation.
	Battery power is low.	Check the battery power, if the battery power is low, charge the battery.
	Steering control levers are in the parking position.	Make sure that both the left and right steering control levers are not in the parking position.
	No one is sitting on the seat or the operator presence switch is not functioning properly.	Make sure the driver is sitting on the seat.
	When powered on, the left and right parking switches are not in their initial positions.	Place steering control levers in the initial position and restart the product. If it still can't start, please contact official Greenworks after-sales service center.
	The battery compartment is in dormant state.	Turn the start key to the OFF position and wait for more than 5 seconds before restarting the product.
Product suddenly stops during driving.	Battery is not charged.	Use only official Greenworks battery (batteries). At least one fully-charged battery is required for operation.
	Driving on rough and uneven road conditions cause the operator presence switch to disconnect.	Place the steering control levers in the initial position, restart the product, push the steering control levers.
	Accelerator pedal failure.	Contact Greenworks after-sales service center.
	Vehicle controller failure.	Contact Greenworks after-sales service center.
The blade does not operate after pulling the PTO switch.	There is no battery installed in the battery compartment or the battery is not an official Greenworks battery.	Use only official Greenworks battery (batteries). At least one fully-charged battery is required for operation.
	The battery power is lower than 5%.	Check the battery power, if the battery power is low, charge the battery.
	The operator presence switch is not functioning properly.	Ensure the driver is sitting on the seat.
	The blade switch (PTO) is not in the correct position before powering on.	Push the PTO and pull it up again.
	Blade motor blockage or other functional protection.	Make sure there are no weeds or foreign objects at the connection point between the blade and the motor. It is recommended to raise the deck and start the blade to ensure normal operation before adjusting the deck height.
	Drive controller malfunction	Check the error code on display screen. Contact Greenworks after-sales service center.
The blade stops when mowing grass.	Blade controller malfunction	Check the error code on display screen. Contact Greenworks after-sales service center.
	Blade motor overload.	Clean the inside of the deck, make sure there is no abnormal blade rotation, press the PTO switch, restart the product and reduce the blade load, either by raising the cutting deck or reducing the driving speed.

PROBLEM	POSSIBLE CAUSE	CORRECTIVE ACTION
	Battery temperature is too high.	Do not use the product immediately after charging, otherwise it may trigger the battery temperature protection error.
	The battery power is lower than 5%.	Check the battery power, if the battery power is low, charge the battery.
	The blade is hit by a foreign object, causing a sudden stop.	Turn the start key to the OFF position and wait for more than 5 seconds before restarting the product.
	Drive controller malfunction	Check the error code on display. Contact greenworks after-sales service center. Contact Greenworks after-sales service center.
The mower cuts the grass unevenly, and the height difference is very large.	The blade is blunt.	Contact the Greenworks after-sales service center to sharpen or replace the blades.
	Blade is bent.	Replace the blade according to the manual instructions, and wear protective gears.
	Uneven deck.	Contact the Greenworks after-sales service center to level the deck.
The actual mowing height does not match the marked mowing height chosen.	Deck mounting bolts are loose.	Securely tighten deck mounting bolts. The deck needs to be re-leveled after adjusting the mounting bolts.
	The deck is seriously worn or damaged.	Contact the Greenworks after-sales service center to replace the deck.
Abnormal product shredding	The grass is too wet.	Wait until grass is dry.
	The grass is too tall/dense.	Raise the deck and cut grass with multiple passes, adjusting the height accordingly.
Excessive product vibration	Blade bolts are loose.	Contact the Greenworks after-sales service center to sharpen or replace the blades..
	Blade is bent.	Replace the bent blade according to the manual instructions, and wear protective gears.
	Uneven deck.	Contact the Greenworks after-sales service center to level the deck.
	Deck mounting bolts are loose.	Securely tighten deck mounting bolts. The deck needs to be re-leveled after adjusting the mounting bolts.
	The grass is too tall/dense.	If the grass is too dense and high, please raise the deck, try to avoid cutting heavy grass.
Grass leaves or debris left on the ground after mowing.	The grass is too tall/dense.	Raise the deck and cut grass with multiple passes, adjusting the height accordingly. If the grass exceeds 6 inches, please use two mowing cycles to achieve the mowing effect. Try to avoid cutting heavy grass as much as possible.
	The grass is too wet.	Wait until grass is dry.
	Driving speed is too high.	Lower the driving speed.
	Blade cutting speed is too low.	Increase the blade speed.
Short mowing duration	Grass is too tall/dense.	Raising the deck or decrease blade speed to increase the mower's usage time on one charge.
Mower runaway	Different tire pressure	Check the rear tire pressure of the product regularly according to the manual instructions.

PROBLEM	POSSIBLE CAUSE	CORRECTIVE ACTION
Product won't start after washing.	Improper cleaning, leading to water entering: the digital display screen, battery compartment, and/or other electronic components.	<ol style="list-style-type: none"> 1. Follow the instructions to clean the product. 2. If the product is accidentally drenched, store the product in a dry place for 12 hours or blow dry before restarting. 3. Contact Greenworks after-sales service center if the problem persists.
The mower is blocked.	Weeds and debris build up on the deck.	Follow the manual instructions to clean the product after each use.
Product with parking brake slides on slope.	Severe tire wear.	Contact the Greenworks after-sales service center to replace the tires.
	The parking brake is damaged or terribly worn.	Contact the Greenworks after-sales service center to replace the parking brake.
	The parking brake is manually released.	Check the parking brake and reset it to the initial position.

12 TECHNICAL DATA

Model No.	MZ548	MZ608
Voltage	82 V	82 V
Length	76.18 inch (185 cm)	76.18 inch (185 cm)
Height	73 inch	73 inch
Width (with discharge chute)	66.1 inch	75.24 inch
Deck width	55 inch	61 inch
Driving speed	4/6/8 mph	4/6/8 mph
Blade speed	2800/3400/3600/3800 /min	2600/3000/3200/3400 /min
No load speed	2800/3400/3600/3800 RPM	2600/3000/3200/3400 RPM
Charger model	CAB80002 and other CAB series	CAB80002 and other CAB series
Battery model	BAB70015, BAB733, BAB735 and other BAB series	BAB70015, BAB733, BAB735 and other BAB series

The recommended ambient temperature range:

Product storage temperature	32 °F ~ 95 °F (0 °C ~ 35 °C)	
Product operation temperature	7 °F ~ 104 °F (-14 °C ~ 40 °C)	
Battery pack storage temperature	less than 1 month	32 °F ~ 122 °F (0 °C ~ 50 °C)
	less than 3 months	32 °F ~ 104 °F (0 °C ~ 40 °C)
	more than 3 months	32 °F ~ 68 °F (0 °C ~ 20 °C)
Charger operation temperature	32 °F ~ 104 °F (0 °C ~ 40 °C)	
Battery pack charging temperature	32 °F ~ 104 °F (0 °C ~ 40 °C)	
Battery pack discharging temperature	7 °F ~ 104 °F (-14 °C ~ 40 °C)	

13 WARRANTY

Greenworks hereby warranties this product, to the

original purchaser with proof of purchase, for a period of four (4) years or 200 hours of use (whichever comes first) against defects in materials, parts or workmanship. Greenworks, at its own discretion, will repair or replace any and all parts found to be defective, through normal use, free of charge to the customer. This warranty is valid only for units which have been used for personal use that have not been hired or rented for industrial/ commercial use, and that have been maintained in accordance with the instructions in the owners' manual supplied with the product from new.

13.1 ITEMS NOT COVERED BY WARRANTY

1. Any that have been transferred to a new owner. This warranty only applies to the original purchaser from an authorized Greenworks retailer or dealer. This warranty is nontransferable.
2. Any part that has become inoperative due to misuse, rental use, commercial use, abuse, neglect, accident, improper maintenance, product modification, unauthorized repair or alteration; or
3. If item has not been operated and/or maintained in accordance with the owner's manual; or
4. Normal wear.
5. Routine maintenance parts or service include, but are not limited to: lubricants, mower seat wear, blade sharpening, wheels, tires, anti-scalp wheels, blades as well as any optional accessories or attachments.
6. Normal deterioration of the exterior finish due to use or exposure.

7. Damage or failure resulting from, but not solely: immersion in water or other liquids, accidents, misuse, neglect or lack of proper installation, and proper maintenance and storage.
8. An item that has not been registered on an authorized Greenworks website (see REGISTRATION info with QR code or product page info for proper product registration).

13.2 HELPLINE

Warranty service is available by calling our toll-free helpline, at 1-855-470-4267.

13.3 TRANSPORTATION CHARGES

Transportation charges for the movement of any power equipment unit or attachment are the responsibility of the purchaser. It is the purchaser's responsibility to pay transportation charges for any part submitted for replacement under this warranty unless such return is requested in writing by Greenworks.

USA address:

Greenworks Tools

P.O. Box 1238

Mooresville, NC 28115

Canadian address:

Greenworks Tools Canada Inc.

P.O. Box 93095, Newmarket, Ontario

L3Y 8K3

14 GREENWORKS PRODUCT REGISTRATION

NAME:			
ADDRESS:			
CITY :	STATE :	ZIP CODE :	COUNTRY :
HOME PHONE:		MOBILE PHONE:	
PURCHASE DATE:		PURCHASED FROM:	

15 SERIAL NUMBER(S)

Please list Serial Number(s) below along with Model Information:

DESCRIPTION	MODEL #	PART #	SERIAL #	DATE PURCHASED

16 ERRORS

The CANBUS system takes actions to protect the user and the product when it detects an issue. When it acts to turn off the product or a component, it indicates that an error occurs and the error code is shown on the digital display. Each electrical error has a letter code followed by a number.

The first letter describes the system that caused the error according to this chart:

Name	Meaning
TR	Right Wheel Motor Controller
TL	Left Wheel Motor Controller
PMU	Power Management Unit (in the battery compartment)
ML	Left blade Motor Controller
MM	Middle Blade Motor Controller
MR	Right Blade Motor Controller

16.1 RIGHT WHEEL MOTOR CONTROLLER ERROR CODES

Error Codes	Errors Contents	Suggestions
TR 2	Drive motor stalled	Check if the drive wheels are stuck and restart the power supply.
TR 5	Motor encoder error	Check that the connector of motor is properly connected with the drive controller, and then restart the power supply.
TR 6	Controller phase loss	Check that motor cables of the drive controller are connected properly, and then restart the power supply.
TR 7	MOSFET error	If you encounter this issue, contact your distributor for a solution.
TR 8	Controller undervoltage	The voltage is too low. Charge the battery pack before use.
TR 9	Controller overvoltage	The voltage is too high. Restart the power supply.
TR 12	Motor overtemperature	The motor temperature is too high. Wait for the motor to cool down, and then restart the power supply.
TR 13	Controller overtemperature	The controller temperature is too high. Wait for the controller to cool down, and then restart the power supply.
TR 14	Overcurrent-Level 1	The load is too high. Restart the power supply.
TR 15	Overcurrent-Level 2	The load is too high. Restart the power supply.
TR 16	Speed controller error	Check that the speed controller of handle is connected properly, and then restart the power supply.
TR 19	Operating sequence error	Place the left and right levers in the park position and try again.
TR 21	ETO relay error	Restart the power supply.
TR 22	Magnetic valve error	Check that the solenoid valve of drive motor is connected properly, and then restart the power supply.
TR 23	Battery compartment (PMU)communication error	Communication failure with battery compartment. Restart the power supply.
TR 24	Battery compartment (PMU) error	Minor/major error in battery compartment. Perform a check and restart the power supply.
TR 25	CAN timeout error - left drive	Communication failure with the left drive controller. Restart the power supply.
TR 26	CAN timeout error - right drive	Communication failure with the right drive controller. Restart the power supply.
TR 27	CAN timeout error - left blade	Communication failure with the left blade controller. Restart the power supply.

Error Codes	Errors Contents	Suggestions
TR 28	CAN timeout error - central blade	Communication failure with the central blade controller. Restart the power supply.
TR 29	CAN timeout error - right blade	Communication failure with the right blade controller. Restart the power supply.
TR 31	Seat switch verification error	Check that the connector under the seat is connected properly, and then restart the power supply.
TR 32	Software authentication error	Restart the power supply.
TR 42	Software Version verification error	Restart the power supply.
TR 60	Controller undertemperature	Restart the power supply.
TR 61	Power supply - 5V error	Restart the power supply.
TR 62	Power supply - 12V error	Restart the power supply.
TR 63	Controller temperature sensor error	Restart the power supply.
TR 64	Controller flash error	Restart the power supply.
TR 65	Motor encoder data error	Restart the power supply.
TR 66	Controller internal communication error	Restart the power supply.
TR 67	Motor overtemperature alarm	The motor temperature is too high. Wait for the motor to cool down, and then restart the power supply.
TR 68	Controller overtemperature alarm	The controller temperature is too high. Wait for the controller to cool down, and then restart the power supply.

16.2 LEFT WHEEL MOTOR CONTROLLER ERROR CODES

Error Codes	Error Contents	Suggestions
TL 2	Drive motor stalled	Check if the drive wheels are stuck and restart the power supply.
TL 5	Motor encoder error	Check that the connector of motor is properly connected with the drive controller, and then restart the power supply.
TL 6	Controller phase loss	Check that motor cables of the drive controller are connected properly, and then restart the power supply.
TL 7	MOSFET error	If you encounter this issue, contact your distributor for a solution.
TL 8	Controller undervoltage	The voltage is too low. Charge the battery pack before use.
TL 9	Controller overvoltage	The voltage is too high. Restart the power supply.
TL 12	Motor overtemperature	The motor temperature is too high. Wait for the motor to cool down, and then restart the power supply.
TL 13	Controller overtemperature	The controller temperature is too high. Wait for the controller to cool down, and then restart the power supply.
TL 14	Overcurrent-Level 1	The load is too high. Restart the power supply.
TL 15	Overcurrent-Level 2	The load is too high. Restart the power supply.
TL 16	Speed throttle error	Check that the speed controller of handle is connected properly, and then restart the power supply.
TL 19	Operating sequence error	Place the left and right levers in the park position and try again.
TL 21	ETO relay error	Restart the power supply.
TL 22	Magnetic valve error	Check that the solenoid valve of drive motor is connected properly, and then restart the power supply.
TL 23	Battery compartment (PMU)communication error	Communication failure with battery compartment. Restart the power supply.
TL 24	Battery compartment (PMU) error	Minor/major error in battery compartment. Perform a check and restart the power supply.
TL 25	CAN timeout error - left drive	Communication failure with the left drive controller. Restart the power supply.
TL 26	CAN timeout error - right drive	Communication failure with the right drive controller. Restart the power supply.
TL 27	CAN timeout error - left blade	Communication failure with the left blade controller. Restart the power supply.

Error Codes	Error Contents	Suggestions
TL 28	CAN timeout error - central blade	Communication failure with the central blade controller. Restart the power supply.
TL 29	CAN timeout error - right blade	Communication failure with the right blade controller. Restart the power supply.
TL 31	Seat switch verification error	Check that the connector under the seat is connected properly, and then restart the power supply.
TL 32	Software authentication error	Restart the power supply.
TL 42	Software Version verification error	Restart the power supply.
TL 60	Controller undertemperature	Restart the power supply.
TL 61	Power supply - 5V error	Restart the power supply.
TL 62	Power supply - 12V error	Restart the power supply.
TL 63	Controller temperature sensor error	Restart the power supply.
TL 64	Controller flash error	Restart the power supply.
TL 65	Motor encoder data error	Restart the power supply.
TL 66	Controller internal communication error	Restart the power supply.
TL 67	Motor overtemperature alarm	The motor temperature is too high. Wait for the motor to cool down, and then restart the power supply.
TL 68	Controller overtemperature alarm	The controller temperature is too high. Wait for the controller to cool down, and then restart the power supply.

16.3 POWER MANAGEMENT UNIT (IN THE BATTERY COMPARTMENT) ERROR CODES

Error Codes	Errors Contents	Suggestions
PMU 1	Overcurrent-Level1	The PMU load is too high. The error will automatically resolve itself when the load drops.
PMU 2	Overtemperature-Level1	The PMU temperature is too high. The error will automatically resolve itself when the temperature drops.
PMU 33	Hardware overcurrent	The PMU load is too high. Restart the power supply.
PMU 34	Feedback overcurrent	Restart the power supply.
PMU 35	Overtemperature-Level2	The PMU temperature is too high. Wait until the temperature drops, then restart the power supply.
PMU 36	Undervoltage	The voltage is too low. Charge the battery pack and try again.
PMU 37	Overvoltage	The voltage is too high. Restart the power supply.
PMU 38	Power supply output failure	Restart the power supply.
PMU 41	No battery pack available	Check that you are using the correct battery pack, and then restart the power supply.
PMU 46	Power circuit error	Contact your distributor for a solution.
PMU 47	Pre-charge error	Restart the power supply and contact your distributor for a solution.
PMU 48	Pre-charge hardware error	Contact your distributor for a solution.
PMU 49	Negative MOS temperature sensing error	Contact your distributor for a solution.
PMU 52	Current sensor error	Contact your distributor for a solution.
PMU 57	KSI Pre-MOS error	Contact your distributor for a solution.
PMU 59	KSI MOS error	Contact your distributor for a solution.
PMU 61	Battery pack 1 does not match	Replace the battery pack with a suitable voltage platform.
PMU 62	Battery pack 2 does not match	Replace the battery pack with a suitable voltage platform.
PMU 63	Battery pack 3 does not match	Replace the battery pack with a suitable voltage platform.

Error Codes	Errors Contents	Suggestions
PMU 64	Battery pack 4 does not match	Replace the battery pack with a suitable voltage platform.
PMU 65	Battery pack 5 does not match	Replace the battery pack with a suitable voltage platform.
PMU 66	Battery pack 6 does not match	Replace the battery pack with a suitable voltage platform.
PMU 67	Abnormal charging status	Check that the charging socket is connected or check that the charger input is plugged in.

16.4 LEFT BLADE MOTOR CONTROLLER ERROR CODES

Error Codes	Error Contents	Suggestions
ML 2	Blade motor stalled	Check the mowing load and return the blade start switch to its initial position.
ML 6	Controller phase loss	Check that motor cables of the drive controller are connected properly, and then restart the power supply.
ML 7	MOSFET error	If you encounter this issue, contact your distributor for a solution.
ML 8	Controller undervoltage	The voltage is too low. Charge the battery pack before use.
ML 9	Controller overvoltage	The voltage is too high. Restart the power supply.
ML 13	Controller overtemperature	The controller temperature is too high. Wait for the controller to cool down, and then restart the power supply.
ML 14	Software overcurrent	The load is too high. Restart the power supply.
ML 15	Hardware overcurrent	The load is too high. Restart the power supply.
ML 19	Operating sequence error	Place the left and right handles in the park position, and the blade start switch in the OFF position. Sit in the seat and try again.
ML 25	CAN timeout error - left drive	Communication failure with the left drive controller. Restart the power supply.
ML 26	CAN timeout error - right drive	Communication failure with the right drive controller. Restart the power supply.
ML 27	CAN timeout error - left blade	Communication failure with the left blade controller. Restart the power supply.
ML 28	CAN timeout error - central blade	Communication failure with the central blade controller. Restart the power supply.
ML 29	CAN timeout error - right blade	Communication failure with the right blade controller. Restart the power supply.
ML 31	Failed to verify blade signal	Check that the blade start switch is connected properly, and then return the switch to its initial position.
ML 32	Software authentication error	Restart the power supply.
ML 42	Software Version verification error	Restart the power supply.

16.5 MIDDLE BLADE MOTOR CONTROLLER ERROR CODES

Error Codes	Error Contents	Suggestions
MM 2	Blade motor stalled	Check the mowing load and return the blade start switch to its initial position.
MM 6	Controller phase loss	Check that motor cables of the drive controller are connected properly, and then restart the power supply.
MM 7	MOSFET error	If you encounter this issue, contact your distributor for a solution.
MM 8	Controller undervoltage	The voltage is too low. Charge the battery pack before use.
MM 9	Controller overvoltage	The voltage is too high. Restart the power supply.
MM 13	Controller overtemperature	The controller temperature is too high. Wait for the controller to cool down, and then restart the power supply.
MM 14	Software overcurrent	The load is too high. Restart the power supply.
MM 15	Hardware overcurrent	The load is too high. Restart the power supply.
MM 19	Operating sequence error	Place the left and right handles in the park position, and the blade start switch in the OFF position. Sit in the seat and try again.
MM 25	CAN timeout error - left drive	Communication failure with the left drive controller. Restart the power supply.
MM 26	CAN timeout error - right drive	Communication failure with the right drive controller. Restart the power supply.
MM 27	CAN timeout error - left blade	Communication failure with the left blade controller. Restart the power supply.
MM 28	CAN timeout error - central blade	Communication failure with the central blade controller. Restart the power supply.
MM 29	CAN timeout error - right blade	Communication failure with the right blade controller. Restart the power supply.
MM 31	Failed to verify blade signal	Check that the blade start switch is connected properly, and then return the switch to its initial position.
MM 32	Software authentication error	Restart the power supply.
MM 42	Software Version verification error	Restart the power supply.

16.6 RIGHT BLADE MOTOR CONTROLLER ERROR CODES

Error Codes	Error Contents	Suggestions
MR 2	Blade motor stalled	Check the mowing load and return the blade start switch to its initial position.
MR 6	Controller phase loss	Check that motor cables of the drive controller are connected properly, and then restart the power supply.
MR 7	MOSFET error	If you encounter this issue, contact your distributor for a solution.
MR 8	Controller undervoltage	The voltage is too low. Charge the battery pack before use.
MR 9	Controller overvoltage	The voltage is too high. Restart the power supply.
MR 13	Controller overtemperature	The controller temperature is too high. Wait for the controller to cool down, and then restart the power supply.
MR 14	Software overcurrent	The load is too high. Restart the power supply.
MR 15	Hardware overcurrent	The load is too high. Restart the power supply.
MR 19	Operating sequence error	Place the left and right handles in the park position, and the blade start switch in the OFF position. Sit in the seat and try again.
MR 25	CAN timeout error - left drive	Communication failure with the left drive controller. Restart the power supply.
MR 26	CAN timeout error - right drive	Communication failure with the right drive controller. Restart the power supply.
MR 27	CAN timeout error - left blade	Communication failure with the left blade controller. Restart the power supply.
MR 28	CAN timeout error - central blade	Communication failure with the central blade controller. Restart the power supply.
MR 29	CAN timeout error - right blade	Communication failure with the right blade controller. Restart the power supply.
MR 31	Failed to verify blade signal	Check that the blade start switch is connected properly, and then return the switch to its initial position.
MR 32	Software authentication error	Restart the power supply.
MR 42	Software Version verification error	Restart the power supply.

1	Introduction.....	50		8.1 Transport de la tondeuse.....	76
1.1	Description du produit.....	50	8.2	Transport de batterie lithium-ion.....	76
1.2	Utilisation conforme.....	50	8.3	Levier de dérivation neutre.....	76
1.3	Symboles figurant sur la machine.....	50	8.4	Déplacement manuel de la tondeuse....	77
1.4	Élimination des batteries sans danger pour l'environnement.....	51	9	Nettoyage et entreposage.....	77
1.5	California Proposition 65.....	51	9.1	Nettoyage du produit.....	77
2	Sécurité.....	51	9.2	Entreposage du produit.....	77
2.1	Définitions de sécurité.....	51	10	Entretien.....	78
2.2	Avertissements généraux de sécurité....	52	10.1	Sécurité de la maintenance.....	78
2.3	Avertissements de sécurité pour tondeuse autoportée.....	53	10.2	Maintenance de la batterie.....	78
2.4	Pratiques sûres pour les tondeuses à conducteur porté.....	54	10.3	Mise en charge.....	78
3	Déballage du produit.....	58	10.4	Calendrier d'entretien recommandé.....	80
4	Assemblage.....	59	10.5	Contrôle la pression des pneus.....	80
4.1	Installation de l'arceau de sécurité.....	60	10.6	Valeurs de couple.....	80
4.2	Installation du siège.....	60	10.7	Entretien des lames de tondeuse.....	81
4.3	Installation du hayon du bac de rangement arrière.....	61	11	Dépannage.....	84
4.4	Installation de leviers de commande de direction.....	62	12	Données techniques.....	86
5	Fonctionnalités et commandes.....	63	13	Garantie.....	87
5.1	Commandes de produit.....	63	13.1	ARTICLES NON COUVERTS PAR LA GARANTIE :	87
6	Système électrique.....	66	13.2	Ligne d'assistance téléphonique.....	87
6.1	Sécurité du système électrique.....	66	13.3	FRAIS DE TRANSPORT :	87
6.2	Informations sur le système électrique..	67	14	Greenworks enregistrement de produit.....	88
7	Fonctionnement.....	67	15	Numéro(s) de série.....	88
7.1	Avant le fonctionnement.....	67	16	Erreurs.....	88
7.2	Démarrage du produit.....	68	16.1	Codes d'erreur du contrôleur du moteur de la roue droite.....	90
7.3	Arrêt du produit.....	69	16.2	Codes d'erreur du contrôleur du moteur de la roue gauche.....	92
7.4	Écran d'affichage numérique.....	70	16.3	Codes d'erreur de l'unité de gestion de l'alimentation (dans le compartiment de la batterie).....	94
7.5	Conseils d'utilisation de l'application....	73	16.4	Codes d'erreur de contrôleur de moteur de lame gauche.....	96
7.6	Pratique de conduite avec une tondeuse à rayon de braquage zéro.....	73	16.5	Codes d'erreur de contrôleur de moteur de lame centrale.....	98
7.7	Tonte.....	74	16.6	Codes d'erreur de contrôleur de moteur de lame droite.....	100
7.8	Motifs de tonte.....	75			
7.9	Recommandations de tonte.....	75			
8	Transport.....	76			

1 INTRODUCTION

1.1 DESCRIPTION DU PRODUIT

Ce produit est une tondeuse à rayon de braquage zéro sur batterie dotée de moteurs électriques.



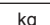
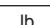






Nous nous engageons à améliorer en continu nos produits et nous réservons donc le droit de modifier le design et l'apparence sans préavis.




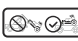




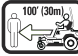




1.2 UTILISATION CONFORME


Le produit est pensé pour la tonte et l'entretien efficaces du gazon sur les pelouses résidentielles et les espaces extérieurs. Il n'est pas conçu pour une quelconque autre finalité.

1.3 SYMBOLES FIGURANT SUR LA MACHINE

Vous devez lire les autocollants de sécurité avant d'utiliser votre produit. Les avertissements ont été développés pour votre sécurité. Vous devez comprendre et respecter tous les autocollants de sécurité afin de réduire le risque de blessure ou de dégâts matériels.

Symbole	Explication
	Protection contre les projections d'eau.
	Voltage
	Kilogramme
	Livre
	Indique un risque potentiel de blessure corporelle.
	Pour réduire les risques de blessures, l'utilisateur doit lire et comprendre le manuel d'opérateur avant d'utiliser ce produit.
	Portez un casque anti-bruit.
	Portez systématiquement des lunettes intégrales ou des lunettes de sécurité avec écrans latéraux et un écran facial intégral lorsque vous utilisez ce produit.
	Une formation professionnelle est obligatoire avant d'utiliser le produit.
	Ne tondez pas lorsque des enfants ou d'autres personnes se trouvent à proximité.

Symbole	Explication
	N'ouvrez pas et ne retirez pas les protections de sécurité lorsque le produit est en marche.
 	Pour réduire les risques de blessures, éloignez les mains et les pieds des pièces en mouvement. Ne pas faire fonctionner à moins que le couvercle de décharge ou le sac d'herbe ne soit à sa place appropriée. S'il est endommagé, remplacez-le immédiatement.
	Ne remorquez pas ce produit au risque d'endommager le système d'entraînement.
	Ne transportez jamais d'enfants ou de personnes, même lorsque les lames sont éteintes.
	Regardez toujours vers le bas et derrière vous lorsque vous faites une marche arrière ou un demi-tour. Assurez-vous que les enfants, les passants et les animaux domestiques sont éloignés de la zone.
	Soyez très prudent sur les pentes. Ne tondez pas les pentes de plus de 15 degrés. Ne pas utiliser sur les pentes proches de l'eau libre.
	Retirez les objets qui peuvent être projetés par la lame dans n'importe quelle direction. Portez des lunettes de protection.
	Tenez tous les passants à une distance d'au moins 30 m (100 pi.).
	Ne marchez pas.
	Tirez le levier de dérivation neutre vers l'extérieur pour libérer le frein d'entraînement. Ne déverrouillez jamais le levier de dérivation neutre dans les pentes. Cela peut entraîner une perte de contrôle.
	ATTENTION — Ne regardez pas fixement la lampe allumée
	Ne vous asseyez pas sur le hayon du bac de stockage arrière.

Symbole	Explication
	La capacité de chargement maximum.

1.4 ÉLIMINATION DES BATTERIES SANS DANGER POUR L'ENVIRONNEMENT



Les matières toxiques et corrosives ci-dessous se trouvent dans les batteries utilisées dans ce produit : **Lithium-ion, une substance toxique.**

▲ AVERTISSEMENT

Éliminez toutes les substances toxiques d'une manière spécifiée afin de prévenir la contamination de l'environnement. Avant de jeter une batterie au Lithium-ion endommagée ou usée, contactez votre agence locale d'élimination des déchets ou l'agence locale de protection de l'environnement pour obtenir des informations et des instructions spécifiques. Apportez les batteries à un centre local de recyclage ou d'élimination certifié pour l'élimination de batteries au Lithium-ion.

▲ AVERTISSEMENT

Si la batterie se fend ou se brise, avec ou sans fuites, ne la rechargez pas et ne l'utilisez pas. Jetez-la et remplacez-la par une nouvelle batterie. **N'ESSAYEZ PAS DE LA RÉPARER !** Pour prévenir les blessures et les risques d'incendie, d'explosion ou de décharge électrique, et pour éviter tout dommage à l'environnement :

- Couvrez les bornes de la batterie avec du ruban adhésif résistant.
- NE PAS essayer d'enlever ou de détruire les composants de la batterie.
- NE PAS essayer d'ouvrir ou de réparer la batterie.
- En cas de fuite, les électrolytes rejetés sont corrosifs et toxiques. NE PAS laisser entrer la solution dans les yeux ou en contact avec la peau et ne l'avalez pas.
- NE PAS jeter vos batteries usagées dans votre poubelle à ordures ménagères.
- NE PAS incinérer les batteries.
- NE PAS les mettre dans un endroit où ils feront partie d'un site d'enfouissement de déchets ou d'un flux de déchets solides municipaux.
- Emmenez-les dans un centre de recyclage ou d'élimination certifié.

1.5 CALIFORNIA PROPOSITION 65

▲ AVERTISSEMENT

CE PRODUIT CONTIENT OU ÉMET UN PRODUIT CHIMIQUE CONNU DANS L'ÉTAT DE CALIFORNIE COMME ÉTANT UNE CAUSE DE CANCER, DE MALFORMATIONS CONGÉNITALES OU D'AUTRES PROBLÈMES DE REPRODUCTION.

2 SÉCURITÉ

2.1 DÉFINITIONS DE SÉCURITÉ

Les avertissements, précautions et notes mettent l'accent sur des parties spécialement importantes du manuel.

▲ AVERTISSEMENT

L'OPÉRATEUR OU LES BADAUDS SONT EXPOSÉS À UN RISQUE DE BLESSURES, PARFOIS MORTELLES, SI LES INSTRUCTIONS DU MANUEL NE SONT PAS RESPECTÉES.

▲ ATTENTION

LE PRODUIT, LE RESTE DU MATÉRIEL OU LA ZONE ADJACENTE EST EXPOSÉ À UN RISQUE DE DOMMAGES SI LES INSTRUCTIONS DU MANUEL NE SONT PAS RESPECTÉES.

Note : Pour un complément d'information nécessaire dans une situation donnée.

2.2 AVERTISSEMENTS GÉNÉRAUX DE SÉCURITÉ

▲ AVERTISSEMENT

Lisez tous les avertissements de sécurité et toutes les instructions, illustrations et spécifications accompagnant ce produit. *Le non-respect de ces instructions peut entraîner un choc électrique, un incendie et/ou des blessures graves.*

Conservez tous les avertissements et instructions pour référence ultérieure.

Le terme "produit" dans les avertissements fait référence à votre produit fonctionnant sur secteur (avec fil) ou sur BATTERIE (sans fil).

2.2.1 SÉCURITÉ DE LA ZONE DE TRAVAIL

- **Gardez la zone de travail propre et bien éclairée.** *Les endroits encombrés ou sombres favorisent les accidents.*
- **N'utilisez pas le produit dans des environnements explosifs, par exemple en présence de liquides, gaz ou poussières inflammables.** *Le produit génère des étincelles qui peuvent enflammer la poussière ou les vapeurs.*
- **Maintenez les enfants et les badauds à l'écart lorsque vous utilisez le produit.** *Les distractions peuvent vous faire perdre le contrôle.*

2.2.2 SÉCURITÉ ÉLECTRIQUE

- **Les fiches du produit doivent correspondre à la prise. Ne modifiez jamais la prise d'aucune façon. N'utilisez pas de fiches adaptatrices avec des produits mis à la terre.** *Des prises non modifiées et leurs prises de courant respectives réduisent les risques de choc électrique.*
- **Évitez que le corps n'entre en contact avec des surfaces mises à la terre comme les tuyaux, les radiateurs, les cuisinières et les réfrigérateurs.** *Il y a un risque accru de choc électrique si votre corps est en contact avec la terre.*
- **N'exposez pas le produit à la pluie ou à des conditions humides.** *L'eau qui pénètre dans un produit augmente le risque de décharge électrique.*
- **N'abusez pas du cordon. N'utilisez jamais le cordon pour porter, tirer ou débrancher le produit. Éloignez le cordon de la chaleur, de l'huile, des bords tranchants ou des pièces mobiles.** *Des cordons endommagés augmentent le risque d'un choc électrique.*
- **Lorsque vous le produit en extérieur, employez une rallonge de câble adaptée à l'usage en extérieur.** *Utiliser un câble adapté à un usage en extérieur réduit le risque de choc électrique.*

- **Si vous ne pouvez éviter d'utiliser un produit dans un environnement humide, employez une alimentation protégée par un dispositif de courant résiduel (DCR).** *Le respect de cette règle réduira le risque de chocs électriques.*
- **Ne nettoyez pas le produit avec l'eau d'un tuyau d'arrosage ou un nettoyeur haute-pression.** *L'eau qui pénètre dans un produit augmente le risque de décharge électrique.*
- **N'utilisez pas le produit sous la pluie.** *L'eau qui pénètre dans un produit augmente le risque de décharge électrique.*

2.2.3 SÉCURITÉS DES PERSONNES

- **Restez vigilant, soyez attentif à ce que vous faites et faites preuve de bon sens lorsque vous utilisez le produit. N'utilisez pas le produit lorsque vous êtes fatigué, sous l'emprise de l'alcool ou de drogues, voire après avoir pris des médicaments.** *Un moment d'inattention lors de l'utilisation du produit peut causer des blessures graves.*
- **Utilisez de l'équipement de protection individuelle. Portez toujours des lunettes de protection. L'utilisation d'équipement de protection adapté aux conditions masque antipoussière, chaussures de sécurité antidérapantes, casque et protections auditives, etc. permet de réduire les risques de blessures corporelles.**
- **Évitez tout démarrage accidentel. Assurez-vous que l'interrupteur est en position d'arrêt avant de connecter l'outil à la source d'alimentation ou au bloc-batterie et quand vous soulevez ou transportez le produit. Le transport des outils électriques avec votre doigt sur l'interrupteur ou la mise sous tension des outils électriques dont l'interrupteur est sur marche est une invitation aux accidents.**
- **Retirez la clé d'ajustement avant d'allumer le produit. Une clé restée sur une pièce rotative du produit peut causer des blessures.**
- **Ne vous penchez pas trop en avant. Gardez un bon équilibre en tout temps. Vous maîtrisez ainsi mieux le produit dans des situations inattendues.**
- **Habillez-vous correctement. Ne portez pas de vêtements amples ou de bijoux. Maintenez vos cheveux et vêtements à l'écart des pièces en mouvement. Les vêtements amples, les bijoux et les cheveux longs peuvent se prendre dans les pièces en mouvement.**
- **Si un appareil est conçu pour être utilisé avec des dispositifs d'extraction et de récupération des poussières, veillez à ce que ces dispositifs soient bien raccordés et correctement utilisés. L'utilisation de dispositifs de récupération des poussières permet de réduire les risques liés aux poussières.**

- **Ne laissez pas l'habitude des fréquentes utilisations vous faire oublier et ignorer les principes de sécurité.** *Une action négligente peut provoquer de graves blessures en une fraction de seconde.*

2.2.4 USAGE ET ENTRETIEN DU PRODUIT

- **Ne forcez pas sur le produit. Utilisez le produit correct pour votre application.** *Le produit correct fera mieux le travail en toute sécurité au rythme pour lequel il a été conçu.*
- **N'utilisez pas le produit si l'interrupteur ne le met pas sous et hors tension.** *Tout produit qui ne peut pas être contrôlé avec l'interrupteur est dangereux et doit être réparé.*
- **Déconnectez la prise de la source d'alimentation ou retirez du produit le bloc-batterie, s'il est amovible, avant d'effectuer des ajustements, de changer d'accessoire ou de ranger le produit.** *Ces mesures de sécurité préventives réduisent le risque de démarrage accidentel du produit.*
- **Rangez le produit à l'arrêt hors de portée des enfants et ne laissez pas quiconque qui ne serait pas familiarisé avec le produit ou ces instructions l'utiliser.** *Un produit est dangereux entre les mains d'utilisateurs non formés.*
- **Entretien du produit et des accessoires. Vérifiez qu'aucune pièce mobile n'est mal alignée ou grippée et qu'aucune pièce n'est cassée et soyez attentif à toute autre condition pouvant affecter le fonctionnement du produit. S'il est endommagé, faites réparer le produit avant de l'utiliser.** *De nombreux accidents sont le fruit d'une maintenance de produit inappropriée.*
- **Garder les outils de coupe propres et tranchants.** *Les outils de coupe bien entretenus avec des bords tranchants sont moins susceptibles de se coincer et sont plus faciles à contrôler.*
- **Utilisez le produit, les accessoires, les embouts, etc. conformément à ces instructions, en tenant compte des conditions de travail et des travaux à effectuer.** *L'utilisation du produit pour des opérations différentes de celles prévues pourrait créer une situation dangereuse.*
- **Veillez à ce que les poignées restent propres, sèches et exemptes d'huile et de graisse.** *Les poignées et surfaces de prise glissantes ne permettent pas de manipuler et de maîtriser le produit dans des situations inattendues.*
- **Retirez la clé ou désactivez le produit lorsque vous le laissez sans surveillance.** *Le produit est dangereux pour les utilisateurs dépourvus de formation.*

2.2.5 UTILISATION ET ENTRETIEN DE L'OUTIL À BATTERIE

- **Rechargez uniquement avec le chargeur spécifié par le fabricant.** *Un chargeur adapté à un type de*

bloc-batterie peut créer un risque d'incendie lorsqu'il est utilisé avec un autre bloc-batterie.

- **Utilisez le produit uniquement avec des blocs-batteries spécialement conçus.** *L'utilisation de tous autres bloc-batteries peut créer un risque de blessure et d'incendie.*
- **Lorsque le bloc-batterie n'est pas utilisé, éloignez-le des autres objets métalliques tels qu'attaches trombones, pièces de monnaie, clés, clous, vis ou autres petits objets métalliques qui peuvent établir une connexion d'une borne à une autre.** *Le court-circuitage des bornes de la batterie peut provoquer des brûlures ou un incendie.*
- **Dans des conditions abusives, du liquide peut être éjecté de la batterie; évitez tout contact.** *En cas de contact accidentel, rincez avec de l'eau. En cas de contact avec les yeux, consultez également un médecin. Le liquide s'échappant des batteries peut causer des irritations ou des brûlures.*
- **N'utilisez pas un produit ou un bloc-batterie endommagé ou modifié.** *Les batteries endommagées ou modifiées peuvent présenter un fonctionnement imprévisible et provoquer un incendie, une explosion ou un risque de blessure.*
- **N'exposez pas un produit ou un bloc-batterie au feu ou à une température excessive.** *L'exposition au feu ou une température supérieure à 265 °F (130 °C) peut provoquer une explosion.*
- **Suivez toutes les instructions de charge et ne chargez pas le bloc-batterie ou le produit en dehors de la plage de température spécifiée dans les instructions.** *Un rechargement incorrect ou à des températures en dehors de la plage spécifiée peut endommager la batterie et augmenter le risque d'incendie.*

2.2.6 SERVICE

- **Confiez l'entretien de votre produit à un réparateur qualifié utilisant uniquement des pièces de rechange identiques.** *Vous assurez la préservation de la sécurité du produit.*
- **Ne réparez jamais une batterie endommagée.** *L'entretien d'une batterie ne doit être effectué que par le fabricant ou des fournisseurs de service agréés.*

2.3 AVERTISSEMENTS DE SÉCURITÉ POUR TONDEUSE AUTOPORTÉE

- **N'utilisez pas la tondeuse par mauvais temps, spécialement si la foudre menace.** *Cela diminue le risque d'être frappé par la foudre.*
- **Vérifiez minutieusement l'absence d'animaux sauvage dans la zone où la tondeuse doit être utilisée.** *Les animaux sauvages peuvent être blessés par la tondeuse pendant son fonctionnement.*
- **Inspectez soigneusement la zone d'utilisation de la tondeuse et enlevez tous les bâtons, pierres,**

files, os et autres objets étrangers. *Les objets projetés peuvent causer des blessures corporelles.*

- **Avant d'utiliser la tondeuse, vérifiez systématiquement visuellement que la lame et l'assemblage de lame ne sont pas usés ou endommagés.** *Les pièces usées ou endommagées augmentent le risque de blessure.*
- **Maintenez les protections en place. Les protections doivent être en état de marche et être correctement montées.** *Un dispositif de protection desserré, endommagé ou ne fonctionnant pas correctement, peut entraîner des blessures.*
- **Maintenez toutes les entrées d'air de refroidissement libres de débris.** *Des entrées d'air obstruées et des débris peuvent entraîner une surchauffe ou un risque d'incendie.*
- **Lorsque vous utilisez la tondeuse, portez systématiquement des chaussures antidérapantes et protectrices. N'utilisez pas la tondeuse pieds nus ou si vous portez des sandales ouvertes.** *Vous réduisez ainsi le risque de blessure aux pieds par contact avec la lame en mouvement.*
- **Lorsque vous utilisez la tondeuse, portez systématiquement des pantalons longs.** *Une peau exposée augmente le risque de blessure par des objets lancés.*
- **N'utilisez pas la tondeuse sur des pentes supérieures à 15 degrés.** *Cela réduit le risque de perte de contrôle, de glissement et de chute pouvant entraîner des blessures corporelles.*
- **Pour le travail en pente, assurez-vous systématiquement d'être bien campé.** *Cela réduit le risque de perte de contrôle, de glissement et de chute pouvant entraîner des blessures corporelles.*
- **Ne tondez pas d'un côté à l'autre lorsque vous utilisez les tondeuses sur un terrain non nivelé ou en pente. Tondez toujours les pentes dans le sens de la montée et de la descente.** *Cela réduit le risque de perte de contrôle, de glissement et de chute pouvant entraîner des blessures corporelles.*
- **Ne touchez pas les lames et autres pièces mobiles dangereuses lorsqu'elles sont encore en mouvement.** *Cela permet de réduire le risque de blessures dues aux pièces mobiles.*
- **Pour débloquer des matériaux coincés ou nettoyer la tondeuse, assurez-vous que tous les interrupteurs d'alimentation sont éteints et retirez (ou activez) le dispositif de désactivation.** *Un fonctionnement inattendu de la tondeuse peut entraîner des blessures graves.*
- Soyez extrêmement prudent lorsque vous faites marche arrière ou que vous tirez la tondeuse vers vous. Soyez toujours conscient de votre environnement.
- L'utilisateur et le technicien **DOIVENT** examiner attentivement **TOUTES** les procédures du manuel de réparation, les formations et les précautions

du fabricant (équipementier) relatives à la sécurité avant l'utilisation, la maintenance et l'entretien.

Note : *L'utilisateur et le technicien devraient consulter un professionnel médical pour déterminer s'ils portent :*

- Un implant défibrillateur.
- Un stimulateur cardiaque.
- Une pompe à analgésique interne.
- Une pompe à insuline.
- Des appareils auditifs.
- D'autres appareillages médicaux.

2.4 PRATIQUES SÛRES POUR LES TONDEUSES À CONDUCTEUR PORTÉ

▲ AVERTISSEMENT

Cette tondeuse est capable d'amputer les mains et les pieds et de projeter des objets à grande vitesse. Le fait de ne pas lire et respecter les avertissements et instructions de sécurité dans ce manuel pourrait entraîner des blessures graves, voire mortelles, pour l'opérateur et les badauds.

2.4.1 SÉCURITÉ GÉNÉRALE

- N'utilisez pas la tondeuse autoportée à batterie sous la pluie.
- Seuls des adultes responsables et capables, qui connaissent bien le mode d'emploi, peuvent être autorisés à faire fonctionner ce produit.
- Une utilisation sécuritaire requiert toute votre attention et vos capacités.
- Regardez toujours où vous allez et soyez conscient de votre environnement.
- Écoutez le produit et soyez attentif à tout changement.
- Sentez le produit et observez ses réactions à vos mouvements et à l'environnement.
- Restez concentré sur votre tâche.
- Portez toujours une protection oculaire appropriée, conforme aux normes de sécurité les plus récentes, afin de réduire le risque de blessure oculaire lors de l'utilisation ou de l'exécution de tout réglage ou réparation. Consultez la norme ANSI Z87.1.
- N'utilisez pas le produit si le dispositif de protection de la décharge ou d'autres dispositifs de sécurité ne sont pas en place et en état de marche.
- Portez toujours un masque facial ou un masque antipoussière pendant l'utilisation de la tondeuse dans un endroit poussiéreux.
- Portez toujours des vêtements appropriés. Le port de gants de protection et de chaussures de sécurité est recommandé.
- N'utilisez jamais le produit en employant un téléphone portable ou un quelconque autre dispositif électronique. Une utilisation distraite peut accroître

le risque de blessures graves pour l'opérateur et les badauds.

- N'utilisez pas l'équipement si vous portez des sandales, des chaussures de tennis, des chaussures de course, des shorts ou tout autre type de vêtement ample. Portez des chaussures de sécurité, un casque, des pantalons longs, une protection oculaire et une protection auditive durant le travail pour réduire le risque de blessure. Évitez les vêtements amples, les bijoux et tout autre accessoire pouvant être piégé dans des pièces mobiles. Attachez les cheveux au-dessus du niveau des épaules avant de débiter le travail.
- Ne transportez pas de passagers et maintenez les badauds à l'écart.
- Suivez les recommandations du fabricant en ce qui concerne les poids des roues ou les contrepoids.

2.4.2 PRÉPARATION AVANT L'UTILISATION

- Débarrassez la zone d'utilisation de tous les objets qui pourraient être projetés par le produit ou en gêner le fonctionnement.
- Garder la zone d'opération à l'écart des spectateurs, en particulier les jeunes enfants. Arrêtez le produit et le ou les accessoires si quiconque entre dans la zone.
- N'utilisez pas le produit sans le collecteur d'herbe, la goulotte de décharge ou les autres dispositifs de sécurité en place et en état de marche. Vérifiez fréquemment les signes d'usure ou de détérioration et remplacez-les si nécessaire.
- Portez des équipements de protection individuelle appropriés tels que des lunettes de sécurité, des protections auditives et des chaussures.
- Ne transportez pas de passagers où que ce soit sur le produit. Maintenez les animaux de compagnie et les badauds hors de la zone de tonte durant le travail.

2.4.3 OPÉRATION

- Conduisez toujours avec les deux mains. Ne conduisez pas d'une seule main.
- Utilisez le produit uniquement à la lumière du jour ou sous une bonne lumière artificielle.
- Évitez les trous, les ornières, les bosses, les rochers ou autres dangers cachés. Un terrain irrégulier peut faire se retourner le produit ou perdre l'équilibre ou la posture à l'opérateur.
- Ne mettez pas les mains ou les pieds près des pièces en rotation ou sous le produit. En tout temps, se tenir à l'écart de l'ouverture de déchargement.
- Ne pas diriger le matériau de décharge vers quelqu'un. Évitez de déverser le matériau contre un mur ou un obstacle. Le matériau peut ricocher en direction de l'opérateur. Arrêtez la ou les lames lorsque vous traversez des surfaces de gravier.

- Ne laissez jamais un produit activé sans surveillance. Prenez les précautions appropriées en arrêtant le produit ou en abandonnant la position de l'opérateur. Arrêtez systématiquement sur un sol de niveau. Désengagez la PDF, engagez le frein de stationnement, mettez hors tension et retirez la clé avant de vous lever de la position de l'opérateur.
- Ne tondez pas en marche arrière, sauf en cas de nécessité absolue. Regardez systématiquement vers le bas, en arrière et sur les côtés avant de changer de direction ou en reculant.

2.4.4 SPÉCIFIQUE AUX ENFANTS

- Des accidents tragiques peuvent se produire si l'opérateur ne fait pas attention à la présence des enfants. Les enfants sont souvent attirés par le produit et l'activité de tonte. Ne supposez jamais que les enfants resteront là où vous les avez vus pour la dernière fois.
- Maintenez les enfants hors de la zone de travail et placez-les sous la surveillance d'un adulte responsable autre que l'opérateur.
- Ne transportez pas d'enfants, même si la ou les lames sont arrêtées. Les enfants risquent de tomber et de se blesser grièvement ou de nuire au travail en toute sécurité. Les enfants à qui vous avez permis de monter sur la tondeuse dans le passé pourraient soudainement apparaître dans la zone de tonte pour une autre promenade et se faire écraser ou renverser par le produit.

2.4.5 UTILISATION D'UNE RAMPE

- Pour le chargement et le déchargement du produit hors d'une remorque, utilisez systématiquement des rampes de pleine largeur, dépassant la largeur du produit.
- Elle offre une surface sur laquelle le châssis de la tondeuse pourrait entrer en contact si l'appareil commençait à basculer vers l'arrière. Elle réduit également le risque qu'une roue se détache et que le produit se renverse.
- Ne dépassez pas un angle de 15 degrés entre la rampe et le sol ou entre la rampe et la remorque ou le camion.
- Familiarisez-vous avec les commandes de la tondeuse et ayez confiance en son bon fonctionnement avant d'essayer de la faire monter ou descendre une rampe.
- Utilisez le mode de conduite lente et conduisez prudemment.
- Évitez tout mouvement brusque des commandes et n'effectuez que des accélérations lentes et régulières.

2.4.6 REMORQUAGE D'UNE CHARGE

- Ne remorquez la machine qu'avec un engin doté d'un attelage conçu pour le remorquage. N'attachez l'équipement remorqué qu'au point d'attelage.

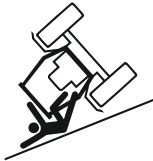
- Suivez les recommandations du fabricant concernant les limites de poids de l'équipement remorqué et le remorquage sur les pentes. Voir **Attelage de remorque arrière** section. (Référence 7,1,3)
- Ne permettez jamais aux enfants ou à d'autres personnes d'entrer dans ou sur l'équipement remorqué.
- Sur les pentes, le poids de l'équipement remorqué peut entraîner une perte de traction et une perte de contrôle.
- Conduisez lentement et prévoyez une distance supplémentaire au moment de freiner.

2.4.7 ENTRETIEN

- Maintenez le produit en bon état de marche. Remplacez les pièces usées ou endommagées.
- Soyez prudent lors de l'entretien des lames. Enveloppez la ou les lames ou portez des gants. Remplacez les lames endommagées. Ne pas réparer ou modifier la ou les lames.
- Ne chargez pas la tondeuse autoportée sous la pluie ou dans des endroits humides.
- Rangez la tondeuse à siège à l'intérieur - lorsqu'elle n'est pas utilisée, la tondeuse autoportée doit être rangée à l'intérieur, dans un endroit sec et fermé à clé, hors de portée des enfants.
- Éteignez et retirez la clé de contact avant l'entretien, le nettoyage ou le retrait de matériaux de la tondeuse autoportée.

Conservez tous les avertissements et instructions pour référence ultérieure.

2.4.8 UTILISATION SUR UNE PENTE



Les pentes sont un facteur important lié aux accidents. L'utilisation sur les pentes exige une prudence supplémentaire. Pour réduire le risque de blessure, n'utilisez jamais le produit sous aucune condition si vous sentez qu'une roue glisse ou patine, voire si la traction d'une roue ou la stabilité et la maîtrise de la tondeuse ne sont pas certaines. Le produit peut glisser même si les roues sont arrêtées. Ces conditions rehaussent le risque de retournement.

- N'utilisez jamais sur une pente supérieure à 15 degrés - une pente s'élevant de 1,6 m (5,4 pi.) sur un segment de 6 m (20 pi.). Voir **Guide d'identification des pentes** (Référence 2,4,9) dans ce Manuel de l'opérateur.
- Ralentissez et soyez spécialement prudent pour tondre en pente. Si vous ne pouvez pas reculer sur

la pente ou si vous ne vous sentez pas à l'aise, ne conduisez pas sur la pente.

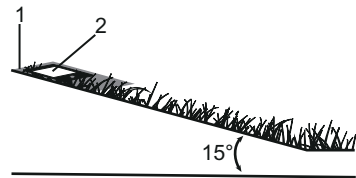
- Évitez les virages en pente vers le bas avec le produit. Tournez en remontant la pente.
- Maintenez systématiquement le produit avec une vitesse engagée pour descendre une pente. Ne descendez pas en roue libre.
- Évitez de démarrer et de vous arrêter dans une pente. Évitez les changements de direction ou de vitesses brusques. Faites les virages lentement et progressivement.
- Évitez de tondre l'herbe glissante, humide ou tendre. Le fonctionnement sur des pentes humides ou meubles peut causer une perte de contrôle, entraînant un renversement.
- Faites spécialement attention en utilisant le produit avec un collecteur d'herbe ou d'autres accessoires. Ils peuvent affecter la stabilité du produit.

2.4.9 GUIDE D'IDENTIFICATION DES PENTES

▲ AVERTISSEMENT

Pour réduire le risque de blessures graves, voire mortelles, ne travaillez jamais sur des pentes de plus de 15 degrés. Vérifiez systématiquement l'inclinaison de la pente sur une surface de pelouse avant de tenter de la tondre.

- Téléchargez une application d'inclinomètre sur votre dispositif mobile pour mesurer les pentes.
- Placez une pièce plate de bois ou de métal longue de 1,2-1,8 m (4-6 pi.) sur la surface de la pente.
- Ouvrez l'application et placez votre téléphone (2) sur la pièce plate de métal ou de bois (1) afin de déterminer la pente exacte de votre pelouse. Ne tondez pas si la pente est inclinée de plus de 15 degrés.



2.4.10 SYSTÈME DE PROTECTION CONTRE LE RETOURNEMENT (ROPS)

Le système de protection contre le retournement (ROPS) est un dispositif de sécurité important et efficace. Ne retirez pas, ne réparez pas et ne modifiez pas le ROPS. Remplacez tout composant du ROPS en cas de dommage.

▲ AVERTISSEMENT

Maintenez la barre stabilisatrice en position relevée et verrouillée et attachez la ceinture de sécurité autour de votre taille lorsque vous utilisez le produit. Si la barre stabilisatrice est abaissée, il n'y a aucune protection contre le retournement. Si la barre stabilisatrice est abaissée et votre ceinture de sécurité est attachée, ne sautez pas de la tondeuse si elle bascule. Vous êtes plus en sécurité grâce à la ceinture de sécurité avec la barre stabilisatrice levée.

La barre stabilisatrice est conçue pour se replier vers le bas afin que l'opérateur conduise sous les obstacles en surplomb et que la tondeuse tienne sur une remorque. Abaissez la barre stabilisatrice uniquement si c'est absolument nécessaire. N'utilisez jamais la ceinture de sécurité si la barre stabilisatrice est abaissée. Levez la barre stabilisatrice dès que le dégagement en hauteur le permet. Ne retirez jamais la barre stabilisatrice.

▲ AVERTISSEMENT

Pour éviter les blessures graves, voire mortelles, en cas de retournement, respectez les avertissements à la suite.

- Attachez systématiquement la ceinture de sécurité lorsque la barre stabilisatrice est en position relevée.
- N'utilisez jamais la ceinture de sécurité si la barre stabilisatrice est abaissée.
- Maintenez la barre stabilisatrice levée et verrouillée sauf si c'est absolument nécessaire pour passer sous un obstacle. Si la barre stabilisatrice est abaissée, il n'y a aucune protection contre le retournement.
- Les obstacles en surplomb peuvent être dangereux. Avant de passer sous les branches d'arbre et autres obstacles, assurez-vous systématiquement que le dégagement est suffisant. Si c'est absolument nécessaire, abaissez la barre stabilisatrice pour passer sous l'objet. Ramenez la barre stabilisatrice en position levée et verrouillée immédiatement après le franchissement de l'obstacle.
- Ne modifiez, altérez ou retirez jamais la barre stabilisatrice.
- La barre stabilisatrice a une limite de poids maximum. Ne dépassez jamais le poids nominal marqué sur la barre stabilisatrice.
- Vous devez lire et respecter les instructions relatives à l'inspection et à la maintenance du ROPS.

Inspection de la barre stabilisatrice

▲ AVERTISSEMENT

Un défaut d'inspection et de maintenance correctes de la barre stabilisatrice peut entraîner des blessures graves, voire mortelles.

Inspectez la barre stabilisatrice pour vous assurer qu'elle n'a pas été endommagée, affaiblie ou autrement compromise durant l'usage. Recherchez les signes d'abus, d'usure, de modification ou de dommage. Contactez votre concessionnaire d'entretien agréé pour toutes vos questions sur l'état de la barre stabilisatrice.

- Ne tentez jamais de réparer une barre stabilisatrice. Elle doit être inspectée et remplacée par le fabricant après une collision, un retournement ou un impact en surplomb pour s'assurer de l'absence de dommages microstructuraux qui peuvent réduire son efficacité. Évitez les soudures, le redressement de segments ou les tentatives de réparation de la barre stabilisatrice. De même, abstenez-vous de percer des orifices ou de souder quoi que ce soit dessus au risque sinon de compromettre son intégrité structurelle.
- Avant la première utilisation de la tondeuse :
 1. Assurez-vous que le poids brut de la tondeuse, accessoires, charge utile et opérateur inclus, est inférieur au poids maximum indiqué sur l'étiquette de la barre stabilisatrice.
 2. Recherchez la visserie manquante, endommagée ou desserrée. Assurez-vous que tous les composants sont en place et installés en toute sécurité.
 3. Vérifiez l'installation correcte des composants de la barre stabilisatrice. Si vous avez des questions, consultez votre concessionnaire d'entretien agréé.
- **Avant chaque usage ou quotidiennement**— Inspectez la barre stabilisatrice et la visserie de montage pour détecter :
 1. Déformation ou torsion de la barre stabilisatrice.
 2. Visserie manquante ou endommagée, notamment la visserie qui ne peut pas être resserrée.
 3. Fissures dans les soudures ou la tuyauterie métallique.
 4. Corrosion sur la visserie du ROPS ou la barre stabilisatrice.
 5. Soudures, orifices ou visserie sans autorisation.
 6. En outre, confirmez que l'étiquette de la barre stabilisatrice et les informations d'avertissement du ROPS sont encore en place et lisibles.

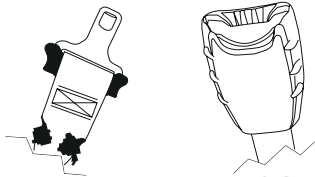
Inspection de la ceinture de sécurité

▲ AVERTISSEMENT

La ceinture de sécurité est un autre composant du système de protection contre le retournement. Inspectez régulièrement la ceinture de sécurité pour vous assurer qu'elle accomplit sa fonction de sécurité prévue.

- Avant chaque usage, vérifiez l'usure ou les dommages causés par une dégradation normale, un usage inapproprié, une modification ou des abus.

1. Recherchez les signes d'effilochage, de coupure ou autrement d'usure du tissu de la ceinture de sécurité.
2. Recherchez les salissures et débris sur la ceinture de sécurité. Éliminez la salissure. Confirmez le fonctionnement mécanique correct en testant l'extension et la rétraction de la ceinture et le mécanisme de sécurisation de la boucle et du loquet. Si les pièces en métal ou en polymère sont endommagées ou fissurées, voire si le verrouillage et la libération de la boucle sont difficiles, ou encore si la ceinture de sécurité présente un autre problème mécanique, faites remplacer la ceinture de sécurité par votre concessionnaire d'entretien agréé.



2.4.11 FOSSÉS ET EAU

▲ AVERTISSEMENT

Les fossés autour des marches et l'eau sont des dangers répandus. N'utilisez jamais votre tondeuse en descente sur une pente à proximité de l'eau, d'un mur de soutènement ou autrement d'un fossé. Faites spécialement attention en utilisant la tondeuse à proximité de ces dangers.

▲ AVERTISSEMENT

Pour réduire le risque de chute dans l'eau, par-dessus des marches ou au bord d'un fossé, préservez systématiquement deux largeurs de tondeuse entre votre tondeuse et le danger. Le non-respect d'un dégagement suffisant peut causer des blessures graves, voire mortelles, ou une noyade.

2.4.12 SYSTÈME DE VERROUILLAGE DU DÉMARRAGE SÉCURITAIRE

Cette tondeuse comporte un système de verrouillage réciproque de démarrage de sécurité comprenant un

3 DÉBALLAGE DU PRODUIT

La tondeuse est expédiée dans une caisse. Voici sa procédure de déballage et de sortie.

1. Retirez les deux goupilles, rondelles et axes de chape fixant le maillage métallique sur le châssis et retirez le maillage métallique.

frein de stationnement, un interrupteur contrôle de présence d'opérateur, un interrupteur PDF et la clé de contact afin de protéger l'opérateur et quiconque d'autre contre les blessures accidentelles associées à une activation inopinée de l'entraînement.

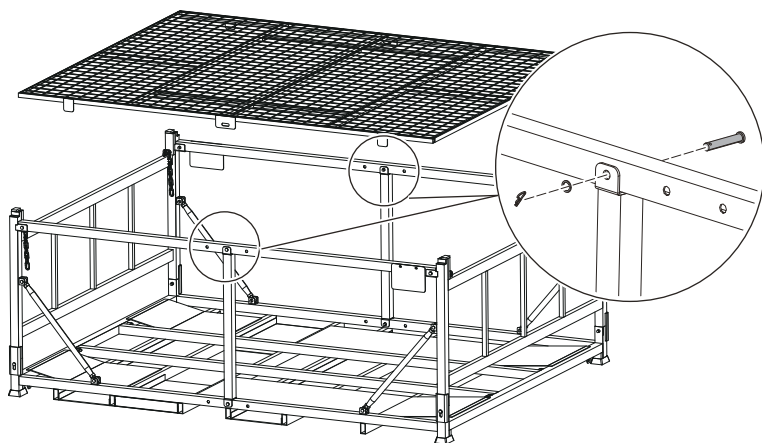
Vérifiez le système de verrouillage réciproque de démarrage de sécurité de la tondeuse tous les jours avant l'utilisation. Ce système est un élément important de la sécurité de la tondeuse. Il doit être réparé immédiatement en cas de dysfonctionnement. La tondeuse comprend un interrupteur contrôle de présence d'opérateur qui arrête le système d'entraînement et les moteurs des lames lorsque l'opérateur n'est pas en place pour une quelconque raison pendant que la tondeuse fonctionne. Il s'agit d'un dispositif de sécurité conçu pour empêcher que la tondeuse avance seule ou les enchevêtrements accidentels.

▲ AVERTISSEMENT

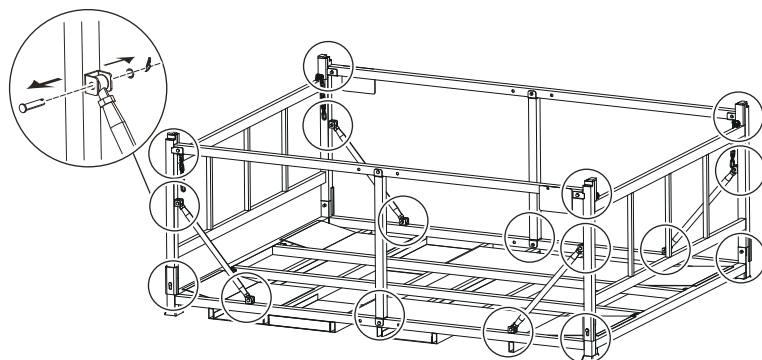
Le système de verrouillage de sécurité ne doit pas être déconnecté ou contourné. Ce faisant, vous risquez de provoquer un fonctionnement inattendu du produit et de causer des blessures.

Pour procéder à l'inspection du système :

1. L'opérateur doit être assis lors du test de l'interrupteur contrôle de présence d'opérateur.
2. Insérez la clé de contact et positionnez-la sur ON.
3. Assurez-vous que les leviers de commande de direction sont pivotés vers l'extérieur pour engager le frein de stationnement.
4. Tirez l'interrupteur PDF pour engager le moteur de lames.
5. Levez-vous lentement hors du siège. Les lames de tondeuse devraient s'arrêter en 3 secondes.
6. Si les lames de tondeuse ne s'arrêtent pas quand l'opérateur n'est pas en place, contactez votre concessionnaire d'entretien agréé immédiatement. N'utilisez pas la tondeuse tant que le système de verrouillage réciproque de démarrage de sécurité n'a pas été réparé.



2. Retirez 18 goupilles, la rondelle et l'axe de chape sécurisant chaque traverse sur le châssis et retirez les traverses.



3. Libérez ou coupez les quatre sangles qui fixent les essieux des roues avant et arrière sur le châssis inférieur.
4. Retirez les boîtes contenant les pièces détachées, la visserie d'assemblage et la documentation.
5. Enlevez tout l'emballage et la cellophane et mettez-les de côté, à l'écart de l'unité et des pièces. Ne jetez pas le matériel d'emballage avant d'avoir soigneusement inspecté et fait fonctionner le produit.
6. Inspectez soigneusement le produit pour vous assurer qu'il n'a pas été cassé ou endommagé pendant le transport.

▲ AVERTISSEMENT

Lors de l'assemblage de pièces en vrac sur votre tondeuse, vérifiez que la pièce est correctement assemblée et qu'elle est bien serrée au couple correct (le cas échéant) avant de passer à l'étape d'assemblage suivante. L'utilisation d'une tondeuse qui aurait été mal assemblée pourrait entraîner des blessures graves.

▲ AVERTISSEMENT

Vous devez lire attentivement et comprendre le manuel avant de conduire la tondeuse hors du châssis. Le non-respect de ces instructions peut entraîner une perte de contrôle et provoquer la mort, des blessures corporelles graves ou des dommages matériels.

4 ASSEMBLAGE

Cette section décrit la méthode d'assemblage et de

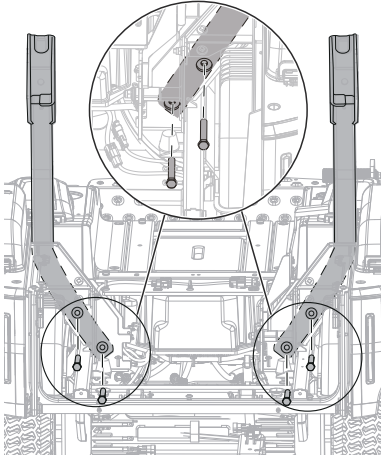
réglage du produit.

▲ AVERTISSEMENT

VOUS DEVEZ AVOIR LU ATTENTIVEMENT ET COMPRIS LE CHAPITRE SÉCURITÉ ET LES INSTRUCTIONS D'ASSEMBLAGE AVANT D'ASSEMBLER LE PRODUIT.

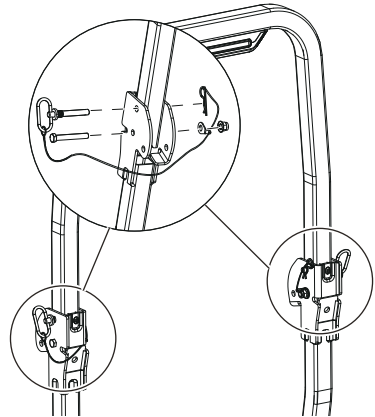
4.1 INSTALLATION DE L'ARCEAU DE SÉCURITÉ

1. Alignez les trous de l'arceau de sécurité inférieur avec le cadre. Utilisez une clé de 18 mm pour serrer les quatre boulons, en appliquant un couple compris entre 30 et 37 pi-lb (40 - 50 N·m).

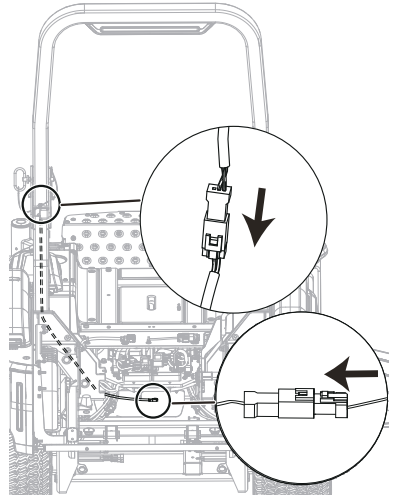


Remarque : Afin de garantir un bon alignement, évitez de serrer complètement tous les boulons jusqu'à la toute fin.

2. Alignez les trous de l'arceau de sécurité supérieur avec l'arceau de sécurité inférieur. Installez les boulons, les rondelles et les écrous dans le trou inférieur. Serrez avec une clé de 18 mm en appliquant un couple compris entre 15 et 22 pi-lb (20 - 30 N·m). Insérez les axes de chape et les axes R dans le trou supérieur pour fixer l'arceau de sécurité supérieur en position relevée.



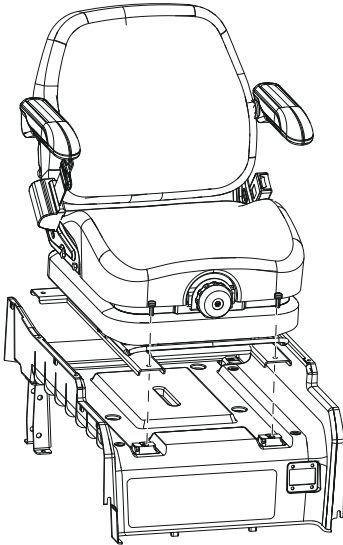
3. Aux sections centrale et inférieure de l'arceau de sécurité, connectez les connecteurs de fils correspondants.



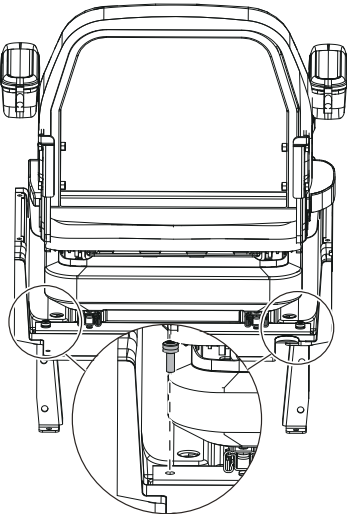
4. Assurez-vous que tous les écrous et les boulons sont serrés aux valeurs mentionnées ci-dessus.

4.2 INSTALLATION DU SIÈGE

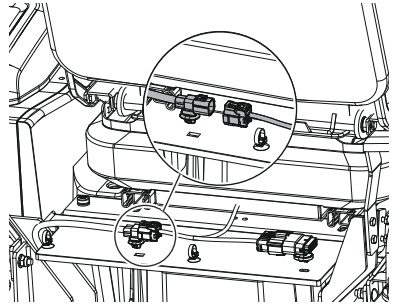
1. Positionnez l'ensemble du siège sur le panneau du siège et alignez les trous.
2. Installez deux boulons à l'avant du siège et serrez-les fermement à l'aide d'une clé T40 en appliquant un couple compris entre 14 et 18 pi-lb (20 - 25 N·m).



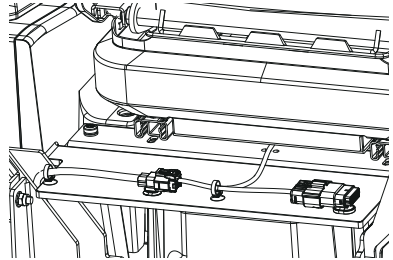
3. Tirez le levier de réglage du siège pour avancer le siège et exposer les deux trous de montage à l'arrière. Installez les deux boulons et serrez-les fermement.



4. Branchez le connecteur du fil à la fiche du siège située derrière le siège. Assurez-vous que les fiches sont solidement fixées.

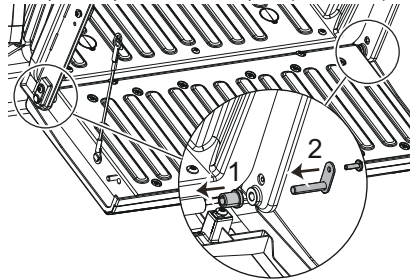


5. Fixez les câbles dans les clips du panneau.

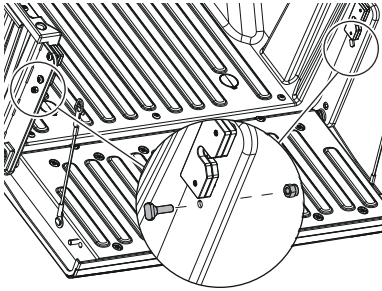


4.3 INSTALLATION DU HAYON DU BAC DE RANGEMENT ARRIÈRE

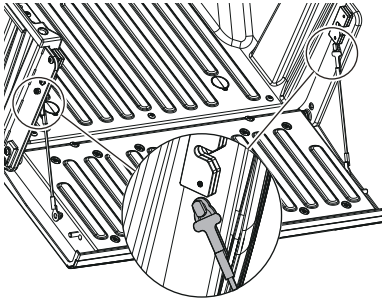
1. Insérez la douille en nylon et l'arbre de rotation dans le tuyau du hayon arrière.
2. Installez un boulon dans chaque arbre de rotation et serrez fermement avec une clé T30, en appliquant un couple compris entre 3 et 4 pi-lb (4 et 6 N·m).



3. Installez les boulons et les écrous pour fixer le haut du bac de rangement arrière. Assurez-vous que les écrous sont positionnés à l'extérieur du bac de stockage. Utilisez une clé de 10 mm en appliquant un couple compris entre 3 et 4 N·m (2 à 3 pi-lb).



4. Suspendez solidement le câble du hayon aux boulons en vous assurant que les côtés de la tôle sont tournés vers l'extérieur.



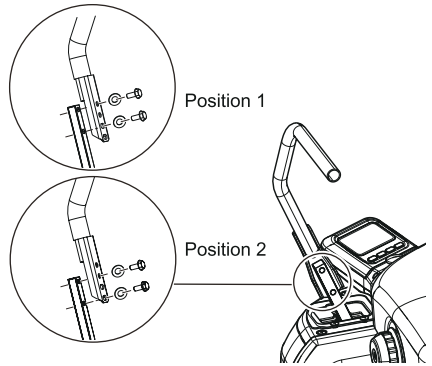
4.4 INSTALLATION DE LEVIERS DE COMMANDE DE DIRECTION

Les leviers commandent la vitesse, le sens, l'arrêt, le verrou au point mort et le frein de stationnement de la tondeuse, assurant ainsi la direction, le réglage de la vitesse, la décélération, l'arrêt et le changement de sens.

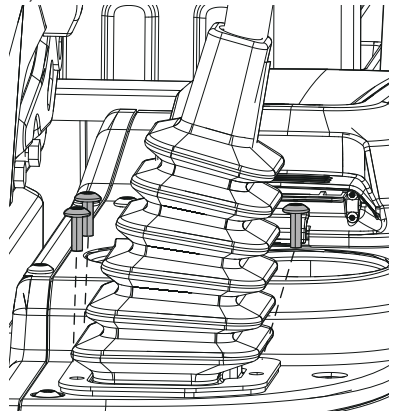
▲ AVERTISSEMENT

Les leviers de direction gauche et droit doivent être réglés de manière à être alignés et face à face lorsqu'ils sont en position neutre. N'installez JAMAIS les leviers de direction à une hauteur de fonctionnement asymétrique.

1. Soulevez le levier de commande de direction pour aligner les orifices du levier avec ceux du poteau de montage.
2. Sélectionnez la hauteur de service de levier de direction préférée. Insérez la vis avec la rondelle dans l'orifice. Fixez la vis aussi proche que possible du centre de l'orifice pour assurer un alignement correct.



3. Utilisez une clé de 16 mm pour serrer les boulons du levier de commande de direction, en appliquant un couple compris entre 20 - 30 N.m (14 - 22 ft-lb).
4. Serrez le cache caoutchouc de chaque levier en serrant trois vis avec une clé de serrage T30 en appliquant un couple dans la plage de 5 - 8 N.m (4 - 6 ft-lb).



5. Après l'installation des caches caoutchouc, assurez-vous que les deux poignées sont face à face et s'alignent automatiquement après avoir été tirées en arrière.

▲ ATTENTION

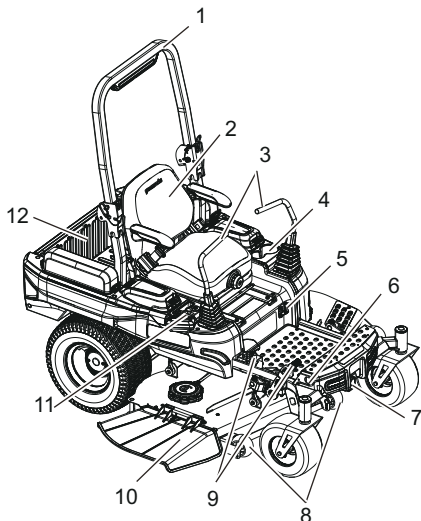
N'installez pas les leviers de commande de direction à l'envers.

Note : Conduisez systématiquement avec les deux mains sur les leviers de commande de direction. Ne conduisez pas d'une seule main.

5 FONCTIONNALITÉS ET COMMANDES

La section suivante offre une brève description des fonctions des commandes individuelles. Pour en savoir plus sur le démarrage, l'arrêt, la conduite et la tonte, voir la section **Fonctionnement** (Référence 7).

5.1 COMMANDES DE PRODUIT



- | | |
|------------------------------------|---|
| 1 Barre stabilisatrice | 9 Pédale au pied & Goupille d'ajustement de hauteur de carter |
| 2 Siège à suspension | 10 Goulotte de décharge |
| 3 Leviers de commande de direction | 11 Panneau de contrôle |
| 4 Porte-gobelet | 12 Bac de stockage arrière |
| 5 Prise de recharge | |
| 6 Prise ETO | |
| 7 Attelage avant | |
| 8 Roues antiscaillage | |

5.1.1 SIÈGE À SUSPENSION

La tondeuse est équipée d'un siège à suspension. Ce siège offre plusieurs options additionnelles. Voir la figure et la liste à la suite pour l'emplacement des fonctionnalités de siège et une brève description de leur fonction.

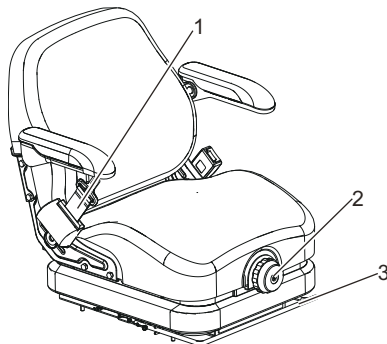
1. Ceinture de sécurité rétractile : La ceinture de sécurité sert à sécuriser l'opérateur sur le siège.

Note : La ceinture de sécurité doit être systématiquement utilisée si la barre stabilisatrice est en position levée. La ceinture de sécurité ne doit jamais

être utilisée si la barre stabilisatrice est en position abaissée.

2. Molette d'ajustement de suspension : La molette d'ajustement de suspension ajuste la suspension du siège. Tournez la molette d'ajustement jusqu'à ce que l'échelle d'affichage propose un nombre correspondant au poids de l'opérateur.

3. Levier d'ajustement de siège (En avant /En arrière) : Le siège peut être ajusté en avant et en arrière. Levez le levier d'ajustement de siège sans le relâcher, positionnez le siège comme vous le souhaitez et relâchez le levier pour verrouiller la position du siège.



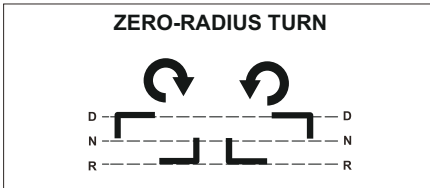
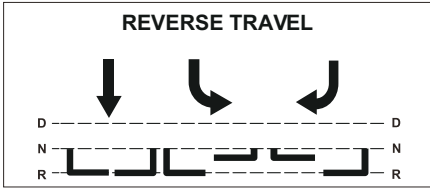
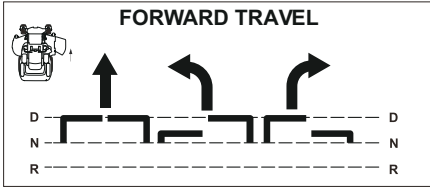
▲ AVERTISSEMENT

Assurez-vous que le siège est verrouillé avant d'utiliser la tondeuse. Un siège qui n'est pas verrouillé peut entraîner le déplacement de l'opérateur et la perte de contrôle de la tondeuse, ce qui peut entraîner la mort ou des blessures graves.

5.1.2 LEVIER DE COMMANDE DE DIRECTION

Les leviers de commande de direction contrôlent la direction de la tondeuse.

L'AVANT DE LA TONDEUSE EST ORIENTÉ DANS CETTE DIRECTION



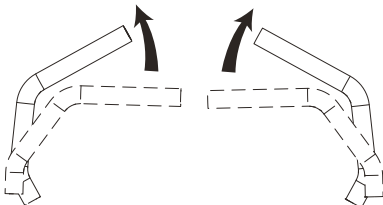
- N = POINT MORT
- D = MARCHE AVANT
- R = MARCHE ARRIÈRE

Le sens des flèches indique la direction du mouvement de la tondeuse

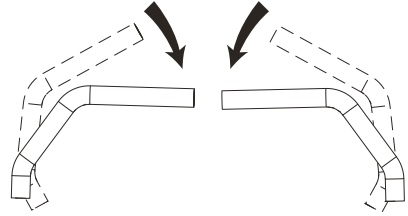
- Levier de commande de direction gauche
- Levier de commande de direction droite

Le levier de commande de direction gauche commande la roue motrice arrière gauche et le levier de commande de direction droite commande la roue motrice arrière droite.

L'inclinaison des deux leviers de commande de direction vers l'extérieur depuis la position NEUTRE engagera le frein de stationnement.



L'inclinaison des leviers de commande de direction vers la position NEUTRE désengagera le frein de stationnement.

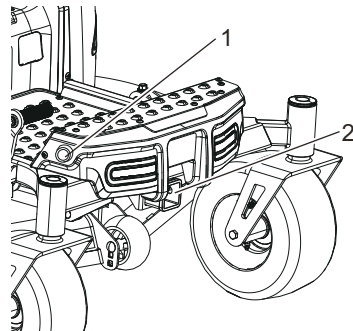


Remarque : Plus un levier de commande de direction est éloigné de la position neutre, plus la roue motrice tournera rapidement.

Voir la **Pratique de conduite avec une tondeuse à rayon de braquage zéro** section (Référence 7,6) pour les instructions de conduite.

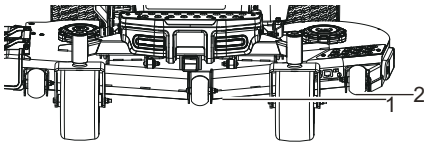
5.1.3 PRISE ETO (ELECTRIC TAKE OFF - DÉMARRAGE ÉLECTRIQUE)

La tondeuse peut être utilisée avec d'autres accessoires conçus spécifiquement pour cette unité, notamment une souffleuse. Les accessoires peuvent être alimentés par la tondeuse via la prise ETO (1) sur sa partie avant et montés sur l'attelage avant (2) si l'accessoire comporte le port correspondant.



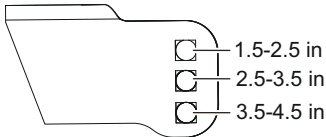
5.1.4 ROUES ANTISCALPAGE

Ces roues antiscalpage sont conçues pour minimiser le scalpage lors de la tonte sur des terrains accidentés et inégaux. Après avoir réglé la hauteur de coupe, ajustez les roues antiscalpage (2) pour qu'elles dépassent sous le carter mais sans toucher le sol. Elles doivent toujours être au moins entre 1/4" et 3/4" sous le carter (1). Avec la tondeuse reposant sur une surface plane de niveau, la position des roues peut être ajustée (haut ou bas) si nécessaire entre 3/4" et 1-3/4 » des roues antiscalpage (2) jusqu'au sol.



Déplacez les roues vers le haut ou vers le bas en utilisant les différents trous de fixation de dans le support de montage des roues (si le modèle en est doté).

- Après l'ajustement de la hauteur de coupe, ajustez les roues antiscalpage en retirant l'écrou à bride de verrouillage et le boulon hex de fixation des roues.
- Sélectionnez un orifice de sorte que la roue soit positionnée à la hauteur de coupe correspondante souhaitée.



Note : Pour une hauteur de coupe supérieure à 114 mm (4,5 po.), utilisez l'orifice du bas. Les roues antiscalpage sont efficaces contre le scalpage.

- Installez l'écrou à bride de verrouillage et l'écrou hex.
- Répétez l'ajustement pour les autres roues antiscalpage.

5.1.5 PÉDALE ET GOUPILLE DE RÉGLAGE DE LA HAUTEUR DU PLATEAU

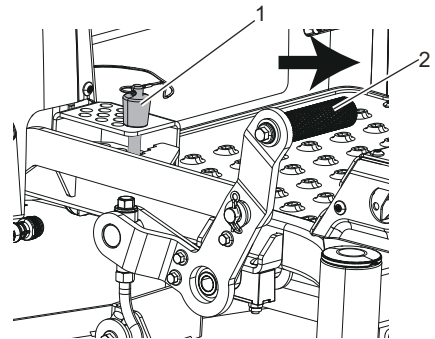
Avant d'utiliser la tondeuse, réglez la hauteur du plateau sur la position de coupe la mieux adaptée à votre pelouse.

Lorsque vous transportez la tondeuse, réglez la hauteur du plateau à 5,5 pouces en appuyant sur la pédale de commande jusqu'au bout pour la verrouiller.

La hauteur de coupe est réglable de 1,5-4,5 pouces. Le plateau de coupe doit être surélevé pour éviter les souches, les rochers ou tout autre obstacle susceptible de l'endommager.

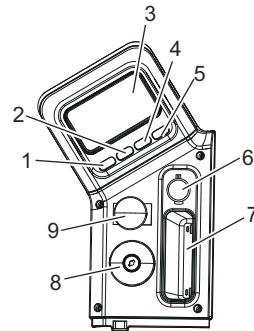
Pour régler la hauteur de coupe :

- Arrêtez la tondeuse et débrayez les lames.
- Tournez la clé en position d'arrêt et serrez le frein de stationnement.
- Appuyez sur la pédale (2) et poussez vers l'avant jusqu'au bout.
- Choisissez la hauteur de coupe souhaitée, insérez la goupille de réglage de la hauteur (1) dans la fente pour la bloquer.



- Relâchez lentement la pédale de commande.

5.1.6 PANNEAU DE CONTRÔLE



Remarque : Les réglages de la vitesse des lames, de la vitesse d'entraînement et de l'éclairage ne sont possibles que sur l'écran d'accueil.

- Vitesse de la lame / Bouton retour :** Permet de régler la vitesse de la lame (cyclique) / Retour à la page précédente.
- Bouton Menu / Page précédente :** Pour naviguer au sein du menu / Haut de page.
- Écran d'affichage numérique :** Cet écran numérique affiche des informations importantes sur le système électrique. Voir **Écran d'affichage numérique** sous **Fonctionnement**. (Référence 7,4)
- Bouton d'allumage / Bas de page :** Pour activer les lumières / Naviguer vers le bas de la page.
- Vitesse d'entraînement / Bouton de confirmation :** Pour régler la vitesse d'entraînement (cyclique) / Appuyez sur ce bouton pour confirmer.
- Ports de charge USB :** Ouvrez le couvercle supérieur pour accéder aux ports de charge USB-A et USB-C. La tondeuse doit être activée pour être chargée.

▲ ATTENTION

Si vous tentez de charger des appareils d'une puissance supérieure à 2,1 ampères, vous risquez d'endommager le port de charge USB et/ou la tondeuse.

7. Fente pour téléphone : Stockage des appareils mobiles.

8. Interrupteur d'allumage : Cet interrupteur permet de mettre en marche et d'éteindre la tondeuse. La clé de contact doit être insérée avant de pouvoir actionner l'interrupteur.

9. Interrupteur de prise de force (PTO) : L'interrupteur PDF engage et désengage les lames de tondeuse. Appuyez sur l'interrupteur vers le HAUT pour engager et vers le BAS pour désengager.

▲ ATTENTION

N'engagez pas l'interrupteur de prise de force lorsque le plateau est sous charge. Le non-respect de cette consigne risque d'endommager le moteur et/ou le plateau de coupe.

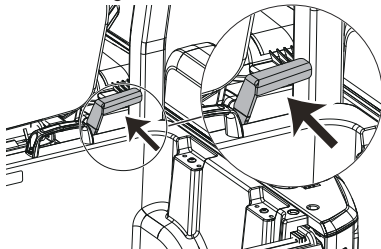
5.1.7 BAC DE STOCKAGE ARRIÈRE

Le bac de stockage arrière de la tondeuse permet d'emporter divers outils ou matériels pour une capacité de charge maximum de 90 kg (200 lb). Il comporte un mécanisme de bascule pour décharger le matériel.

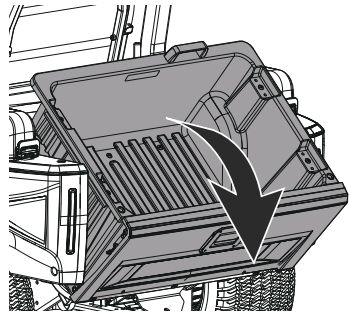
▲ AVERTISSEMENT

En cas de conduite sur une pente, la capacité de charge maximale du bac de rangement arrière est de 90 livres.

1. Déplacez le levier de libération en avant pour libérer le bac de stockage arrière.



2. Le bac de stockage arrière va basculer en arrière.



3. Pour ramener le bac de stockage en position initiale, poussez le levier de libération en avant puis poussez le bac de stockage arrière en avant jusqu'à ce qu'il se verrouille en toute sécurité sur le crochet de levier de libération.

6 SYSTÈME ÉLECTRIQUE

6.1 SÉCURITÉ DU SYSTÈME ÉLECTRIQUE

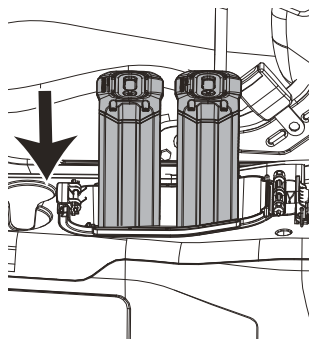
Pour réduire le risque de blessures graves par un incendie ou une décharge électrique en travaillant sur le système électrique :

- Retirez systématiquement la clé de contact et les batteries et lisez le manuel de l'opérateur avant de travailler sur ce produit.
- Retirez systématiquement la clé de contact et les batteries pour le transport du produit.
- Débarrassez le produit de l'herbe coupée, des feuilles et d'autres débris. N'utilisez PAS d'eau pour nettoyer le produit. N'utilisez que de l'air comprimé. Portez une protection oculaire et auditive adéquate lorsque vous nettoyez le produit.
- Portez systématiquement un équipement de protection (lunettes de sécurité, masque facial et gants) pour travailler avec la batterie. Utilisez des outils isolés.
- Nettoyez le produit de tous les débris et salissures. N'utilisez pas de solvants, de nettoyeurs puissants ou d'abrasifs.
- Maintenez les badauds à l'écart lorsque vous enclenchez l'interrupteur PDF.
- Assurez-vous qu'il n'y ait jamais de flammes, d'étincelles ou de fumée à proximité du produit ou des batteries.
- Maintenez le produit et les batteries hors de la portée des enfants.
- Gardez toujours les boucliers de protection, les couvercles et les protections en place et bien fixés. S'ils sont endommagés, réparez ou remplacez-les immédiatement. Ne modifiez ou n'enlevez jamais les dispositifs de sécurité.

6.2 INFORMATIONS SUR LE SYSTÈME ÉLECTRIQUE

Le produit est alimenté par 82un système électrique V. Il se compose des éléments suivants :

1. Contrôleur de lame (1)
2. Moteur de lame (3)
3. Contrôleur d'entraînement(2)
4. Accélérateur - droite (1)
5. Accélérateur - gauche (1)
6. Affichage numérique (1)
7. Moteur de roue (2)
8. Batterie (6)
9. Feu avant (2)
10. Feu de garde-boue avant (2)
11. Feu arrière (2)
12. Feu ROPS (1)
13. Prise ETO (1)



▲ ATTENTION

Si les batteries ne s'insèrent pas facilement dans le compartiment rectangulaire, c'est qu'elles ne sont pas installées correctement. Cela pourrait endommager le produit.

7 FONCTIONNEMENT

Cette section décrit le mode d'emploi du produit.

▲ AVERTISSEMENT

VOUS DEVEZ AVOIR LU ATTENTIVEMENT ET COMPRIS LE CHAPITRE SÉCURITÉ ET LES INSTRUCTIONS D'UTILISATION AVANT D'UTILISER LE PRODUIT.

7.1 AVANT LE FONCTIONNEMENT

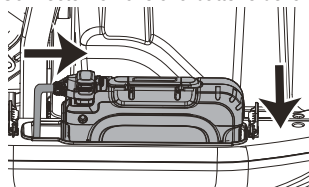
7.1.1 CONNEXION DES BATTERIES AU PRODUIT

▲ AVERTISSEMENT

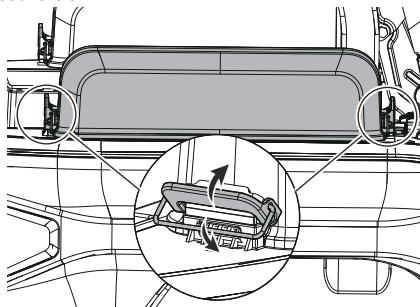
Utilisez uniquement Greenworks les batteries originales avec ce produit

1. Assurez-vous que les batteries sont complètement chargées.
2. Appuyez sur le bouton de déverrouillage pour ouvrir le couvercle du compartiment des petites batteries.
3. Poussez les petites batteries dans le compartiment. Les batteries se verrouillent en position lorsque vous entendez un dé clic.

4. Poussez la batterie de la valise dans le grand compartiment à batterie. La batterie de la valise se verrouille en position lorsque vous entendez un dé clic. Connectez la fiche à la batterie de la valise.



5. Placez le couvercle du grand compartiment sur le compartiment, tirez les loquets pour verrouiller le couvercle.



FR 7.1.2 LEVAGE ET DESCENTE DE LA BARRE STABILISATRICE

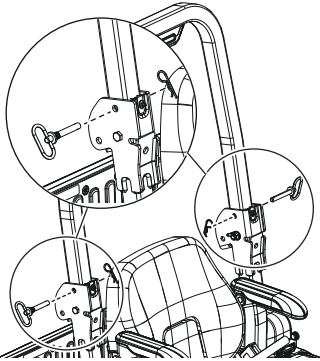
▲ AVERTISSEMENT

Évitez les blessures graves, voire mortelles, du fait d'un retournement :

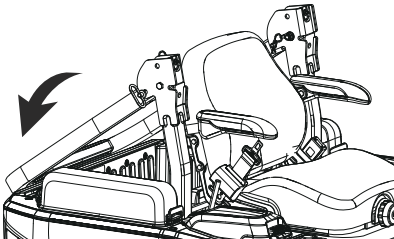
- Portez la ceinture de sécurité si la barre stabilisatrice est relevée.
- Si la barre stabilisatrice est abaissée, il n'y a aucune protection contre le retournement.
- Abaissez la barre stabilisatrice uniquement si nécessaire et ne la retirez JAMAIS.
- N'utilisez PAS la ceinture de sécurité si la barre stabilisatrice est abaissée.
- Levez la barre stabilisatrice quand l'espace le permet.
- Ne sautez PAS hors de la tondeuse si elle bascule.

Pour abaisser la barre stabilisatrice :

1. Extrayez les goupilles R des axes de chape.
2. Retirez les axes de chape. Ajustez la barre supérieure si nécessaire pour libérer les goupilles de la barre stabilisatrice.



3. Abaissez la barre stabilisatrice.
4. Installez les axes de chape et goupilles R pour fixer la barre stabilisatrice abaissée.



Pour lever la barre stabilisatrice :

1. Levez la barre stabilisatrice supérieure en position érigée.
2. Insérez les axes de chape à travers la barre stabilisatrice.
3. Puis installez les goupilles R dans les axes de chape.

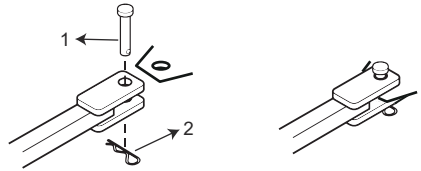
7.1.3 ATTELAGE DE REMORQUE ARRIÈRE

▲ AVERTISSEMENT

Le remorquage de charge peut être risqué, spécialement en pente.

- Le poids total maxi. (remorque et charge) ne devrait pas dépasser 300 lb (136 kg).
- Le poids maxi. de la flèche devrait être inférieur à 45 lb (20,2 kg).
- Évitez les pentes supérieures à 10 degrés.
- Ralentissez et soyez prudent sur les pentes.
- Ne remorquez pas avec un collecteur d'herbe.

Sécurisez la remorque avec l'axe de chape (1) et la goupille R (2) appropriés.

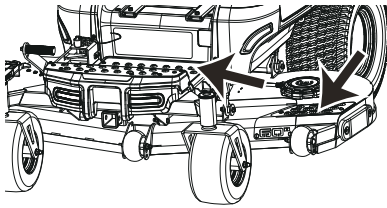


Des charges remorquées excessives affectent la traction et la maîtrise sur les pentes. Allégez la charge sur les pentes. Les conditions de surface affectent la traction et la stabilité. Des surfaces humides ou glissantes réduisent la traction, affectant les capacités d'arrêt de virage. Évaluez le terrain avant d'utiliser l'unité et la remorque en évitant les pentes supérieures à 10 degrés.

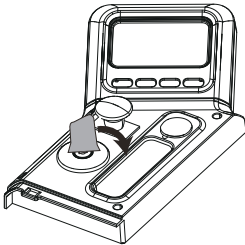
7.2 DÉMARRAGE DU PRODUIT

Remarque : Assurez-vous qu'il n'y a pas de passants dans la zone avant de faire fonctionner la tondeuse. Si quelqu'un pénètre dans la zone de tonte, arrêtez immédiatement et ne recommencez pas à tondre avant que les passants aient quitté la zone.

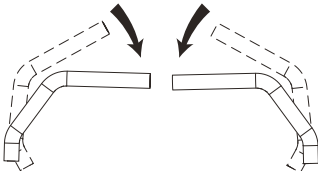
1. Montez sur la tondeuse par le repose-pied sur la gauche du carter. L'accès au siège de l'opérateur depuis une autre direction risque d'endommager la tondeuse ou d'augmenter le risque de blessure pour l'opérateur.



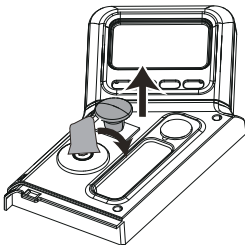
2. Relevez le plateau de la tondeuse à sa position la plus haute. Voir **Pédale et goupille de réglage de la hauteur du plateau** section sous **Fonctions et commandes**. (Référence 5,1,5)
3. Insérez la clé de contact et mettez-la en position de marche (ON).



4. Tirez les leviers de commande de direction vers l'intérieur jusqu'à la position NEUTRE.



5. Relevez l'interrupteur de prise de force pour engager les lames en vue de la tonte.



Remarque : Engagez les lames seulement après que les leviers de commande de direction soient mis en position NEUTRE. N'engagez JAMAIS les lames lors de la tonte !

6. Poussez les leviers de commande de la direction vers l'avant pour la marche avant et tirez-les pour la marche arrière.

Remarque : Soyez prudent lorsque vous traversez des chemins de gravier ou des allées. Avant de

traverser, débrayez les lames et relevez le plateau de coupe à la position la plus haute pour minimiser le risque de ricochet. Conduisez lentement pour éviter toute perte de traction et de contrôle.

Remarque : N'essayez pas de changer le sens de la marche lorsque la tondeuse est en mouvement. Arrêtez-vous toujours complètement avant de changer le sens de marche de la tondeuse.

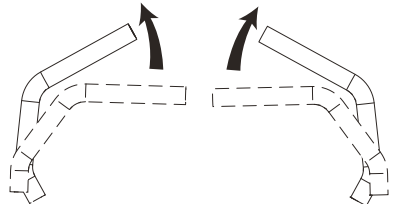
Remarque : Les leviers de commande de direction reviendront vers la position neutre s'ils sont relâchés par l'arrière, mais il est important de les guider manuellement pour qu'ils atteignent la position neutre.

7.3 ARRÊT DU PRODUIT

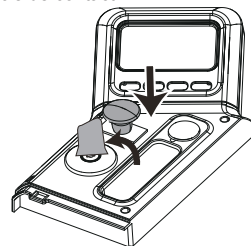
▲ DANGER

N'effectuez jamais d'arrêt ou de marche arrière brusque, surtout en cas de manœuvre sur une pente. La direction est sensible. Un mouvement rapide des leviers de commande de direction dans l'une ou l'autre direction pourrait entraîner une réaction du produit susceptible de causer des blessures graves.

1. Conduisez la tondeuse sur une surface plane et de niveau et ramenez les leviers de commande de direction sur la position NEUTRE pour arrêter le mouvement de la tondeuse. Poussez les leviers de commande de direction vers l'extérieur pour engager le frein de stationnement.

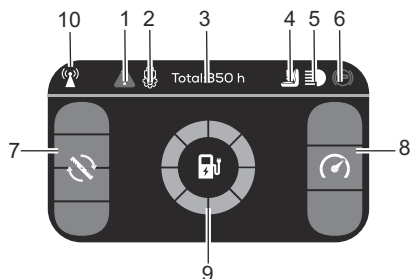


2. Poussez l'interrupteur PDF vers le bas pour désengager les lames.
3. Tournez la clé de contact sur la position OFF. Retirez la clé de contact.



7.4 ÉCRAN D’AFFICHAGE NUMÉRIQUE

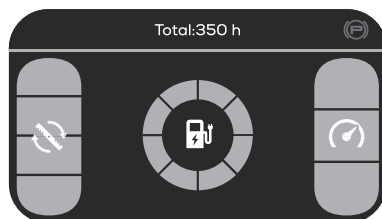
La fonction de l’afficheur numérique situé sur le panneau de commande est de fournir des informations sur le système électrique à l’opérateur. Il donne des informations détaillées sous la forme de motifs, codes et nombres.



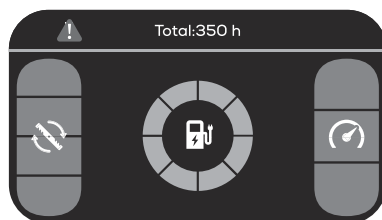
#	Nom	Fonction
1		Avertissement d’erreur. Vérifiez code d’erreur.
2		Le dispositif ETO est en fonctionnement. S’il clignote, le dispositif est connecté.
3	Total : 350h	Temps de marche
4		La présence de l’utilisateur est nécessaire pour fonctionner.
5		Témoins DEL activés.
6		Le frein de stationnement est enclenché. Si l’icône clignote, la fonction de dérivation neutre est activée.
7		Vitesse de lame
8		Vitesse de conduite
9		Niveau de pile
10		Signal GPS 4G

7.4.1 ÉCRAN D’ACCUEIL

1. La vitesse d’entraînement comporte 3 niveaux et la vitesse de la lame comporte 4 niveaux. Appuyez sur le bouton Vitesse de la lame et sur le bouton Vitesse d’entraînement sur le panneau de commande pour les régler. Le niveau de l’icône verte de chaque côté indique la vitesse d’entraînement ou la vitesse de la lame en cours.



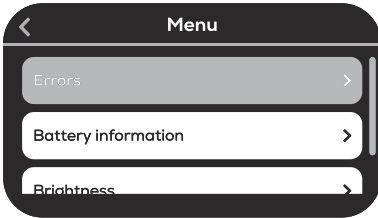
2. Si le système d’entraînement / de lame présente des erreurs, la barre de vitesse d’entraînement / de lame devient grise jusqu’à ce que l’erreur soit corrigée.



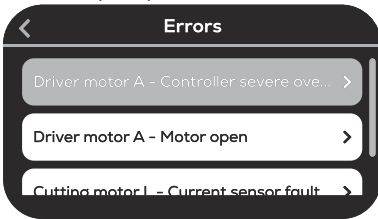
7.4.2 MENU

1. Appuyez sur le bouton Menu pour accéder à la page du menu. Vous pouvez régler 5 éléments, dont Erreurs, Informations sur la batterie, Luminosité, Langue, ETO.

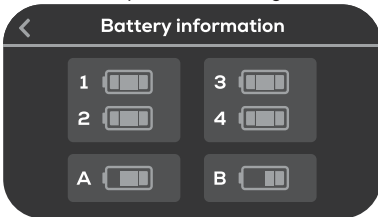
Élément	Fonction
Erreurs	Cette page affiche le contenu des erreurs et des suggestions.
Informations sur les batteries	Cette page indique le statut des batteries.
Luminosité	Sélectionnez la luminosité de votre écran.
Langue	Sélectionnez la langue de l’affichage numérique.
ETO	Cette page affiche le statut de l’appareil ETO.



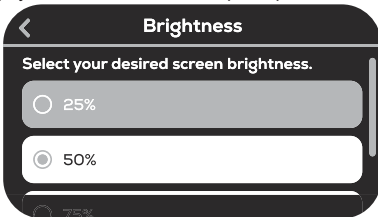
2. Sélectionnez Erreurs et appuyez sur le bouton Confirmer pour accéder à la page Erreurs. Cette page affiche toutes les erreurs. Choisissez le nom de l'erreur spécifique et appuyez sur le bouton Confirmer pour lire les suggestions. Appuyez sur le bouton Retour pour quitter.



3. Appuyez sur le bouton Page suivante pour sélectionner Informations sur les batteries et appuyez sur le bouton Confirmer pour accéder à la page d'informations sur les batteries. Cette page indique le statut de fonctionnement des batteries. Icône verte - la batterie fonctionne correctement. Icône rouge - la batterie est trop chaude. Icône grise - le compartiment de la batterie est vide ou la batterie est complètement déchargée.



4. Appuyez sur le bouton Page suivante pour sélectionner Luminosité, et appuyez sur le bouton Confirmer pour accéder à la page de luminosité. Sélectionnez la luminosité souhaitée pour l'écran. Appuyez sur le bouton Retour pour quitter.



5. Appuyez sur le bouton Page suivante pour sélectionner Langue, et appuyez sur le bouton Confirmer pour accéder à la page de la langue. Sélectionnez la langue souhaitée. Appuyez sur le bouton Retour pour quitter.



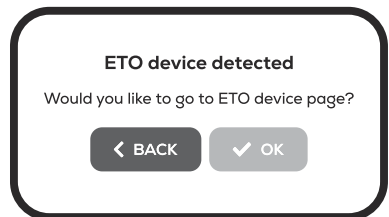
6. Appuyez sur le bouton Page suivante pour sélectionner ETO, et appuyez sur le bouton Confirmer pour accéder à la page ETO. Appuyez sur le bouton Retour pour quitter.



7.4.3 PRISE ETO (ELECTRIC TAKE OFF - DÉMARRAGE ÉLECTRIQUE) DE CONNEXION DES ACCESSOIRES

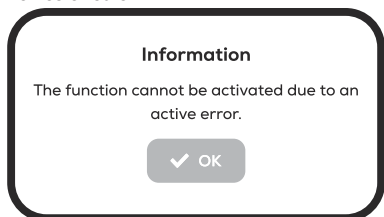
Grâce à l'ETO, cette tondeuse peut être combinée avec des accessoires spéciaux.

1. Lorsque des accessoires sont montés sur la tondeuse et branchés sur la prise ETO avant ou arrière, une fenêtre contextuelle s'affiche à l'écran sur toutes les pages sauf la page ETO. Appuyez le bouton Confirmer pour accéder à la page ETO. Quand le dispositif ETO est activé, l'icône devient verte.

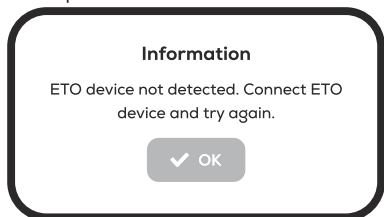




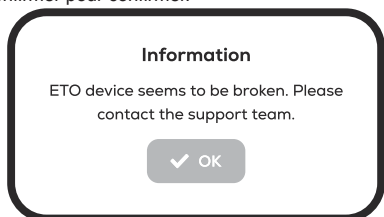
2. Quand le dispositif ETO ne peut pas être activé du fait d'une erreur de la tondeuse, l'écran s'affiche comme suit. Appuyez le bouton Confirmer pour vérifier les erreurs.



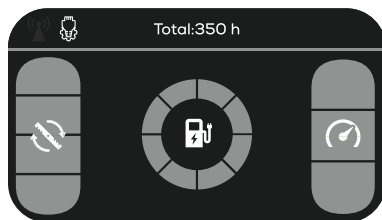
3. Quand le dispositif ETO n'est pas détecté, l'écran s'affiche comme suit. Appuyez sur le bouton Confirmer pour confirmer.



4. Quand le dispositif ETO semble cassé, l'écran s'affiche comme suit. Appuyez sur le bouton Confirmer pour confirmer.

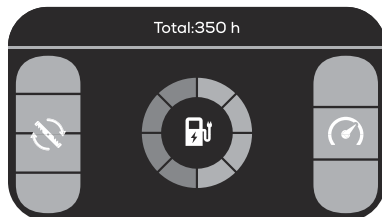


5. Appuyez sur le bouton Retour pour revenir à la page d'accueil. L'icône ETO s'affiche verte à l'écran si le dispositif ETO est activé.

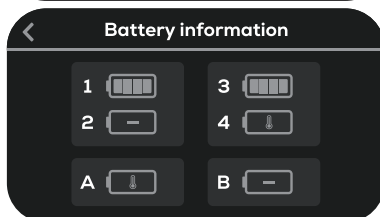
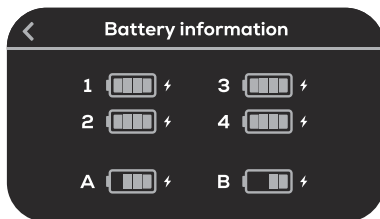


7.4.4 MISE EN CHARGE

1. Pendant la charge du produit, l'affichage numérique indique le niveau de batterie sur l'écran d'accueil. Les informations de charge sont aussi visibles dans la section Informations de batterie du menu.



2. Les informations de batterie sont aussi visibles dans la section Informations de batterie du menu. L'icône verte indique que la batterie fonctionne correctement, l'icône rouge indique que la batterie surchauffe et l'icône verte indique que le compartiment de batterie est vide ou que la batterie est complètement épuisée.



7.5 CONSEILS D'UTILISATION DE L'APPLICATION

7.5.1 INSCRIPTION ET CONNEXION

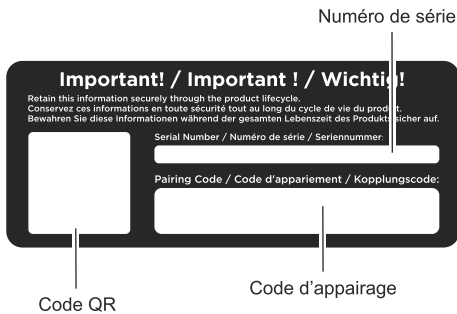
1. Visitez le site web de Fleet Management : fleet.greenworkcommercial.com.
2. Créez un compte, puis connectez-vous.
3. Invitez d'autres utilisateurs de votre organisation.
4. Scannez le code QR de l'application à la suite, téléchargez l'application et connectez-vous.



Note : Référez-vous à la page Appariement d'application Greenworks Commercial pour en savoir plus sur la connexion de votre machine.

5. Ajoutez un dispositif en saisissant le numéro de série et le code d'appariement ou en scannant le code QR sur l'étiquette correspondante.

Note : Le code QR sur l'étiquette correspondante du véhicule de ce manuel est généré à partir d'un numéro de série et d'un code d'appariement.



7.6 PRATIQUE DE CONDUITE AVEC UNE TONDEUSE À RAYON DE BRAQUAGE ZÉRO

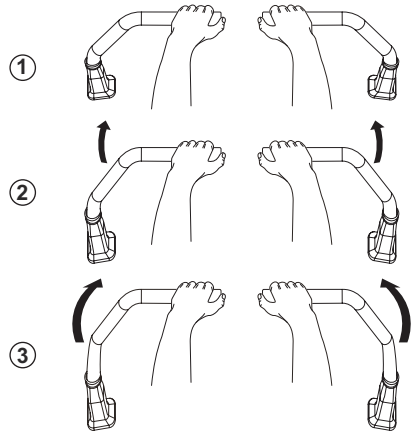
Avant d'utiliser la tondeuse, assurez-vous d'avoir étudié les **Fonctions et commandes** (Référence 5) section pour comprendre les fonctions de contrôle. L'utilisation des leviers de commande de la direction pour maîtriser un contrôle souple et efficace de la marche avant, de la marche arrière et des virages nécessite de la pratique. Familiarisez-vous avec l'accélération, le déplacement et la direction en pratiquant des manœuvres sur une pelouse dégagée et ouverte, sans obstacles ni dangers.

Conduisez lentement pour éviter de faire patiner les roues et d'endommager le gazon. Commencez par la procédure de déplacement en douceur, puis passez à la marche avant, à la marche arrière et aux manœuvres de virage.

7.6.1 DÉPLACEMENT FLUIDE

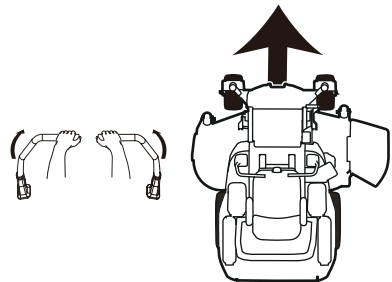
Les leviers de commande de direction de la tondeuse sont très réactifs. L'approche optimale de gestion de ces poignées implique trois étapes :

1. Placez vos mains sur les leviers.
2. Pour avancer lentement, poussez les leviers en avant avec vos paumes.
3. Pour atteindre la vitesse réglée maximum, poussez davantage les leviers en avant. Pour décélérer délicatement, ramenez les leviers vers la position neutre.



7.6.2 CONDUITE BASIQUE

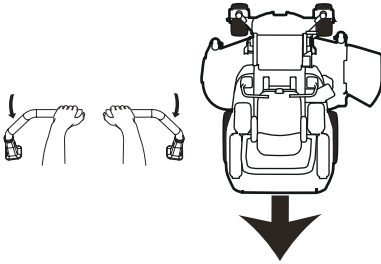
Pratique de la marche avant



Déplacez les deux leviers de commande de direction uniformément et progressivement vers l'avant depuis la position neutre. Pratiquez la décélération et répétez.

Note : La maîtrise du déplacement en marche avant exige de la pratique. Réglez la vitesse souhaitée.

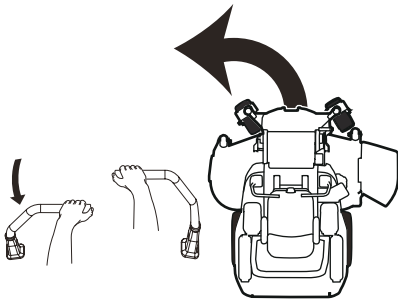
Pratique de la marche arrière



Regardez en arrière et vers le bas puis tirez progressivement les deux leviers de commande de direction uniformément en arrière depuis la position neutre. Pratiquez la décélération et répétez.

Note : *Passez quelques minutes à pratiquer la marche arrière avant de faire à proximité d'objets. N'oubliez pas : la tondeuse effectue des virages abrupts en marche arrière comme en marche avant et reculer en ligne droite exige de la pratique.*

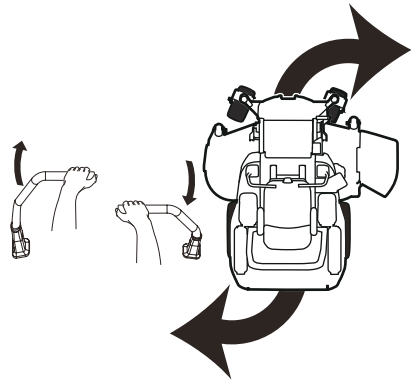
7.6.3 PRATIQUE DU VIRAGE AUTOUR D'UN ANGLE



En marche avant, ramenez délicatement un levier de commande de direction en arrière vers la position neutre. Pratiquez de manière répétée.

Note : *Pour éviter de pivoter directement sur la trace du pneu, assurez-vous que les deux roues préservent un léger mouvement vers l'avant.*

7.6.4 PRATIQUE DU VIRAGE SUR PLACE



Pour une manœuvre à rayon de braquage zéro, déplacez progressivement un levier de commande de direction en avant depuis la position neutre tout en déplaçant simultanément l'autre levier en arrière depuis la position neutre. Pratiquez à plusieurs reprises.

Note : *L'ajustement de l'ampleur de la traction de chaque levier de commande de direction en avant ou en arrière modifie le "point de pivotement" du virage.*

7.6.5 CONDUITE AVANCÉE

La fonctionnalité exceptionnelle de virage sur place de votre tondeuse à rayon de braquage zéro vous permet de pivoter à la fin du rang au lieu de devoir vous arrêter pour effectuer un virage trois points avant de débiter un nouveau rang.

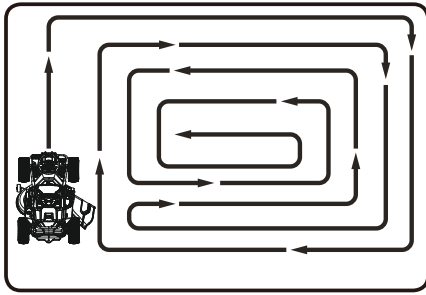
Méthode d'exécution d'un virage à rayon de braquage zéro en fin de rang à gauche :

1. Décélérez progressivement au bout du rang.
2. Poussez légèrement le levier de commande de direction DROIT en avant tout en ramenant le levier de commande de direction GAUCHE vers son centre puis légèrement en arrière.
3. Reprenez la tonte en marche avant.

En adoptant cette approche, la tondeuse tourne à gauche et chevauche légèrement le rang récemment coupé, éliminant le besoin de revenir sur ses pas et de couper l'herbe manquée.

7.7 TONTE

Sélectionnez une zone nivelée et régulière à tondre. Soyez prudent avec les arbres, les clôtures et les pentes. Tondez en ligne droite en chevauchant légèrement. Modifiez occasionnellement les motifs de tonte pour éviter les méplats. Pour une touche professionnelle, tondez longitudinalement une fois puis perpendiculairement la fois suivante.



Pour tondre de vastes espaces, commencez par tourner à droite afin de vous assurer que les coupures sont dirigées à l'écart des buissons, clôtures, allées et autres zones. Après avoir effectué un ou deux tours, tondez selon un motif de va-et-vient à travers la pelouse, en pivotant aux bords de l'herbe déjà tondue.

7.8 MOTIFS DE TONTE

7.8.1 DÉCHARGE LATÉRALE

La décharge latérale est une technique de tonte qui traite avec efficacité un volume d'herbe plus important en un seul passage. Cette méthode implique l'expulsion des coupures d'herbe sur le côté du carter de tondeuse et leur dispersion sur la pelouse. Le design de carter à décharge latérale permet une coupe efficace même si l'herbe est haute, le rendant idéal pour les espaces plus étendus où une tonte rapide est essentielle. Pour une tonte optimale, réglez la vitesse de lame au maximum. Si le moteur ralentit, réduisez la vitesse de conduite. Une vitesse de conduite inférieure rehausse l'efficacité des lames et évite les problèmes de coupe. Choisissez la tonte par décharge latérale pour une herbe de 7-12 cm (3-5 po.). Évitez de couper plus de 2,5 cm (1 po.) à la fois.

7.8.2 MULCHING

Le mulching offre des avantages différents, une herbe finement coupée et le retour des coupures dans le sol. N'oubliez pas : le mulching fonctionne mieux sur une herbe sèche et d'une hauteur modérée. Pour un mulching réussi, réglez la vitesse de lame maximum en association avec la vitesse de conduite minimum. Vous assurez ainsi des coupures fines. Pendant le mulching, conduisez environ à la moitié de la vitesse de dispersion.

Longueur de coupures optimale

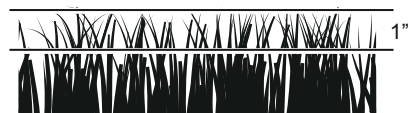
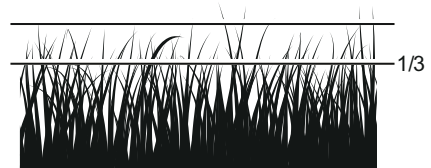
Dans l'idéal pour le mulching, taillez uniquement $\frac{1}{2}$ - $\frac{3}{4}$ po. au sommet de l'herbe pour obtenir des coupures se décomposant facilement. Expérimentez avec la hauteur de coupe selon votre climat, la saison et l'épaisseur de la pelouse. Comme toujours, tondez judicieusement et réfléchissez aux conditions uniques de votre pelouse pour le summum des résultats.

7.9 RECOMMANDATIONS DE TONTE

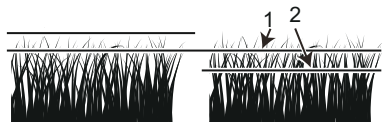
De multiples facteurs affectent l'efficacité de la tonte de votre tondeuse. Le respect des consignes de tonte rehausse les performances et la longévité.

7.9.1 HAUTEUR DE L'HERBE

La hauteur de coupe dépend des préférences. Normalement, tondez quand l'herbe est haute de 7-12 cm (3-5 po.). La hauteur appropriée varie selon le type d'herbe, la pluie, la température et la santé de la pelouse. Une coupe trop courte affaiblit l'herbe et la laisse exposée en cas de sécheresse et face aux nuisibles. Une herbe un peu plus longue est moins exposée aux dommages. Une pousse plus longue par des conditions chaudes et sèches réduit la contrainte thermique, préserve l'humidité et protège contre les dommages. Le maintien d'une herbe trop longue entraîne un gazon peu fourni et des problèmes. Ne coupez pas trop à la fois. Respectez la règle 1/3 : taillez un maximum de 1/3 et pas plus de 2,5 cm (1 po.) à la fois.



La capacité de tonte dépend du système de tonte de votre choix. La dispersion avec les carters de décharge latérale traite davantage d'herbe que le mulching. L'herbe haute exige une coupe progressive. Si l'herbe est très haute, commencez par la hauteur maximum (1) puis baissez pour le second (2) ou le troisième passage. Évitez de laisser un excès de coupures au sommet de l'herbe. Pensez à un système de collecte d'herbe ou au compostage. N'oubliez pas : différents systèmes sont adaptés à différentes situations.



FR 7.9.2 QUAND ET À QUELLE FRÉQUENCE TONDRE

Le moment et l'état de l'herbe influencent significativement les résultats de la tonte. Pour obtenir les meilleurs résultats, suivez les conseils suivants :

- Tondez lorsque la hauteur de l'herbe se situe entre 75 et 125 mm (2,95 et 4,92 pouces).
- Utilisez des lames bien aiguisées pour plus de précision. Les brins d'herbe de moins de 25 mm se décomposent plus rapidement et les lames bien aiguisées évitent les bords effilochés.
- Choisissez un moment frais et sec de la journée pour la tonte, en fin d'après-midi ou en début de soirée.
- Évitez de tondre après la pluie ou une rosée importante. Évitez le mulching avec de l'herbe mouillée car elle s'accumule sous le carter de tondeuse et le mulching devient inefficace.

8 TRANSPORT

8.1 TRANSPORT DE LA TONDEUSE

▲ ATTENTION

Ne remorquez pas cette tondeuse au risque d'endommager le système d'entraînement.

▲ AVERTISSEMENT

Ne chargez pas la tondeuse sur un camion ou une remorque avec deux rampes séparées. Utilisez uniquement une rampe pleine largeur d'au moins 305 mm (1 pied) plus large que la largeur des roues arrière de la tondeuse. Les roues arrière pourraient chuter des rampes ou l'unité pourrait basculer blessant l'opérateur ou les badauds. Veillez à ce que le carter de coupe soit relevé sur la position la plus élevée afin de ne pas être piégé sur la rampe.

1. Stationnez la tondeuse sur une surface plane.
2. Relevez le plateau de coupe à la position la plus haute.
3. Positionnez et fixez la rampe à la remorque conformément aux instructions du fabricant.
4. Utilisez une rampe de chargement pleine largeur qui est au moins 305 mm (1 pi) plus large que la tondeuse pour réduire le risque de quitter le côté de la rampe.
5. Reculez lentement la tondeuse sur la rampe et dans la remorque.
6. Serrez le frein de stationnement.
7. Après le chargement, abaissez complètement le carter de tondeuse.
8. Fixez la tondeuse au besoin à l'aide de sangles ou de câbles pour éviter tout mouvement pendant le transport.

▲ AVERTISSEMENT

Pour éviter tout démarrage ou déplacement accidentel qui pourrait entraîner des blessures graves, retirez systématiquement la clé de contact et serrez le frein de stationnement lorsque vous transportez la tondeuse.

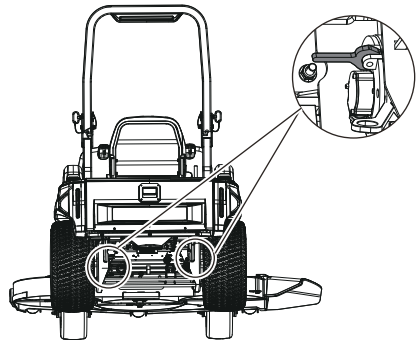
8.2 TRANSPORT DE BATTERIE LITHIUM-ION

Le ministère américain des Transports et les autorités de transport international exigent que les batteries au lithium-ion soient transportées dans un emballage spécial et uniquement par des transporteurs certifiés pour les transporter. Aux États-Unis, vous êtes autorisé à transporter une batterie lorsqu'elle est installée sur la tondeuse en tant qu'équipement alimenté par batterie, avec certaines exigences réglementaires. Contactez le ministère américain des Transports ou l'organisme gouvernemental compétent de votre pays pour connaître les réglementations détaillées relatives au transport de votre batterie ou de la tondeuse équipée de cette batterie. Pour des informations détaillées sur l'expédition d'une batterie, contactez votre concessionnaire d'entretien Greenworks agréé.

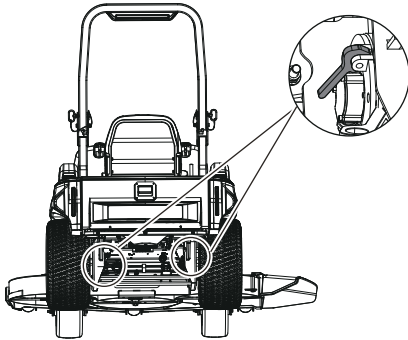
8.3 LEVIER DE DÉRIVATION NEUTRE

Les leviers de dérivation neutre désengagent le système d'entraînement qui connecte la puissance du moteur aux roues et peuvent servir à pousser ou déplacer manuellement la tondeuse sans que le moteur soit en marche.

- Les leviers de dérivation neutre sont situés sous l'arrière du châssis de la tondeuse. Ces leviers gèrent individuellement les roues d'entraînement.
- Poussez le levier vers l'extérieur pour déverrouiller les leviers afin de desserrer les freins d'entraînement.



- Poussez le levier vers l'intérieur afin de verrouiller les leviers pour le fonctionnement normal.



▲ AVERTISSEMENT

Ne conduisez jamais la tondeuse avec le levier de dérivation neutre désengagé. Engagez systématiquement le levier de dérivation neutre sur sa position initiale avant de conduire ! Si vous n'engagez pas le levier, vous risquez d'endommager gravement votre tondeuse et d'annuler sa garantie !

▲ AVERTISSEMENT

Ne déverrouillez jamais les leviers de dérivation neutre lorsque la tondeuse est en pente. Une fois les leviers libérés, la tondeuse peut rouler librement et n'a pas de frein. La libération d'un levier en pente pourrait entraîner une perte de contrôle et augmenter le risque de blessures graves.

8.4 DÉPLACEMENT MANUEL DE LA TONDEUSE

Pour pousser la tondeuse manuellement :

1. Désengagez les lames et poussez les leviers de commande de direction vers l'extérieur pour engager le frein de stationnement.
2. Tournez la clé de contact en position OFF. Retirez la clé de contact et attendez l'arrêt de toutes les pièces mobiles avant de quitter le poste de travail.
3. Ramenez les leviers de commande de direction en position NEUTRE puis déverrouillez les leviers de dérivation neutre pour désengager le système d'entraînement.
4. Déplacez la tondeuse à l'endroit souhaité.

▲ ATTENTION

Pour éviter d'endommager le moteur et le système d'entraînement, ne déplacez pas le produit à plus de 8 km/h (5 mph).

5. Immédiatement après avoir déplacé la tondeuse, verrouillez les leviers de dérivation neutre.

9 NETTOYAGE ET ENTREPOSAGE

9.1 NETTOYAGE DU PRODUIT

- Enlevez toute accumulation d'herbe et de feuilles sur ou autour du capot du moteur (n'utilisez pas d'eau).
- Essayez de temps en temps la tondeuse avec un chiffon sec.
- Si des débris s'accumulent sous la tondeuse pendant l'utilisation, arrêtez le moteur sur un terrain plat, débrayez les lames, serrez le frein de stationnement, arrêtez le produit, retirez la clé de contact et utilisez de l'air comprimé pour nettoyer la zone.

9.2 ENTREPOSAGE DU PRODUIT

Les étapes suivantes doivent être suivies afin de préparer le produit pour l'entreposage.

- **Nettoyage de la tondeuse** : Avant de ranger la tondeuse, nettoyez-la soigneusement comme indiqué dans la section précédente.
- **Inspection et entretien des lames** : Inspectez les lames et remplacez-les comme indiqué dans le **Entretien des lames de tondeuse** (Référence 10,7) section, si nécessaire.
- **Évitez les matériaux corrosifs** : Maintenez la tondeuse à l'écart des substances corrosives comme les fertilisants ou le sel gemme, des causes de rouille et de corrosion des composants métalliques comme les lames, le carter, le moteur et le châssis. Maintenez la tondeuse et ses batteries éloignées des substances et matériaux conducteurs ou corrosifs pour réduire le risque de court-circuit, d'incendie, d'explosion et autres dangers électriques.
- **Sécurité des enfants** : Rangez le produit dans un endroit inaccessible aux enfants pour éviter les accidents.
- **Couverture correcte** : Ne recouvrez pas l'appareil d'une feuille de plastique solide. Les revêtements en plastique peuvent emprisonner l'humidité, ce qui provoque la rouille et la corrosion.
- **Contrôle de l'usure et du vieillissement** : Inspectez soigneusement la tondeuse pour détecter si une pièce est usée ou endommagée et nécessite un remplacement.
- **Entretien des pneus** : Évitez le dégonflage des pneus durant le stockage.
- **Environnement de stockage** : Rangez la machine dans un endroit propre, sec et bien ventilé. Notez que le chargeur de batterie ne doit pas être utilisé dans un environnement humide.
- **Processus de charge** : Se référer à la **Charge** (Référence 10,3) section ainsi que le manuel du chargeur de batterie pour des instructions

complètes sur l'utilisation du chargeur et le processus de charge efficace de la batterie.

Remarque : En respectant ces consignes, vous contribuez à maximiser la longévité de votre tondeuse durant les périodes de stockage.

10 ENTRETIEN

10.1 SÉCURITÉ DE LA MAINTENANCE

- Des étapes spécifiques s'imposent pour effectuer les procédures d'entretien et de maintenance en toute sécurité.
- Lisez et respectez l'ensemble des messages de sécurité et d'instruction applicables dans ce manuel.
- Vous devez systématiquement désengager les lames de tondeuse, engager le frein de stationnement, éteindre la tondeuse, retirer la clé de contact, retirer les batteries et attendre que tous les mouvements cessent avant d'effectuer les procédures d'entretien et de maintenance.
- Portez un équipement de protection individuelle approprié comme des chaussures de sécurité, des lunettes de sécurité, des gants et une protection auditive. Les cheveux longs, les vêtements amples ou les bijoux peuvent s'emmêler dans les pièces mobiles. Attachez les cheveux au-dessus du niveau des épaules avant de débiter le travail.
- L'usage de pièces qui ne sont pas autorisées ou agréées par Greenworks peut causer des blessures graves, voire mortelles, ou des dégâts matériels.

10.2 MAINTENANCE DE LA BATTERIE

La tondeuse est alimentée par des batteries lithium-ion qui, lorsqu'elles sont entretenues correctement, vous assurent des années de vie utile. Pour un entretien approprié, respectez les instructions suivantes :

- Chargez systématiquement les batteries après chaque utilisation. C'est spécialement crucial quand les températures chutent sous 32°F (0°C). Une décharge profonde raccourcit la vie utile de la batterie et risque d'entraîner des dommages permanents. Si un cycle de charge complet est impossible immédiatement après la coupe, un cycle de 5-10 minutes contribue à préserver la santé de la batterie. Rechargez la batterie à fond dans les 24 heures suivant son usage. Pour préserver une bonne calibration, faites fonctionner et chargez la tondeuse au moins une fois par mois. Effectuez une charge complète tous les six mois.
- Empêchez l'herbe, la saleté et les débris de s'accumuler dans la zone de la batterie.
- Chargez la batterie dans un endroit sec et fermé, à l'abri des étincelles et des flammes. N'exposez jamais le chargeur à la pluie, aux vapeurs d'eau ou à d'autres liquides.
- Ne touchez pas la partie non isolée du chargeur (broches de connexion) ou le connecteur de sortie.
- N'utilisez pas le chargeur si les cordons sont endommagés.
- Veuillez vous référer au Manuel de la batterie pour en savoir plus sur les batteries.

10.2.1 MAINTENANCE DE ROUTINE

La maintenance de routine devrait inclure le nettoyage et l'inspection.

- Durant le processus de charge de la batterie :
 - Assurez-vous que la fiche de charge se connecte à fond en toute sécurité dans la prise.
 - Assurez-vous que le chargeur fonctionne sans pannes.
 - Corrigez toutes les pannes et faites-les réparer avant la charge.
- Durant le fonctionnement de la tondeuse et pendant la charge de la batterie, maintenez le port de charge à l'écart de l'eau et des autres matériaux conducteurs. Ne chargez jamais si la tondeuse est humide.
- Le temps de charge dépend de plusieurs facteurs, notamment l'état de la batterie, la température ambiante et d'autres facteurs. Surveillez la batterie pour détecter un fonctionnement ou un comportement anormal.

10.3 MISE EN CHARGE

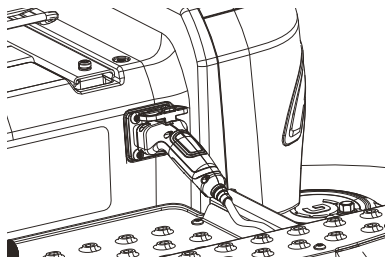
10.3.1 CHARGE DE LA PETITE BATTERIE ET DE LA BATTERIE MALLETTE

Les batteries peuvent être chargées séparément. Les quatre petites batteries peuvent être chargées avec un chargeur spécifique (non fourni) séparé et les deux batteries mallettes avec le chargeur de la tondeuse.

Référez-vous au Manuel de chargeur de batterie pour les deux types de batterie afin d'en savoir plus sur leur charge.

10.3.2 CHARGER LE PRODUIT

1. Le port de charge se trouve près du repose-pied. Ouvrez le cache de port du port de charge de batterie sur la tondeuse.
2. Enfichez le chargeur sur le port de charge de batterie et assurez-vous qu'il est fermement enfoncé.
3. Enfichez le chargeur sur une prise électrique et assurez-vous qu'il est fermement enfoncé.
4. Lorsque la tondeuse est en charge, l'affichage numérique indique le pourcentage de batterie.



▲ AVERTISSEMENT

Voir le Manuel du chargeur de batterie pour les avertissements et instructions de charge. Lisez et assurez-vous de comprendre tous les avertissements et toutes les instructions de sécurité. Le non-respect de ces consignes peut entraîner une décharge électrique, un incendie et/ou des blessures graves.

▲ AVERTISSEMENT

Pour réduire le risque d'incendie et d'explosion, maintenez les flammes nues et les étincelles à l'écart de la tondeuse et des batteries. Assurez une ventilation appropriée autour de la tondeuse durant la charge.

Recommandations de charge :

- La batterie n'a pas besoin d'être complètement déchargée avant sa recharge. Pour préserver un état correct de calibration de charge, faites fonctionner et chargez la tondeuse au moins une fois par mois. Effectuez une charge complète tous les six mois.
- Une batterie laissée déchargée se décharge lentement. Avant la première utilisation chaque printemps, assurez-vous que la batterie est complètement chargée avant de commencer à tondre.
- Vérifiez la batterie tous les six mois et chargez-la si le niveau de puissance est inférieur à 50%.
- Le niveau de batterie est inférieur à 5%, le moteur de lames s'arrête automatiquement et la vitesse de conduite maxi. est de 4 mph. La tondeuse doit être chargée immédiatement.

Note : Couvrez le port de charge de la batterie avec le cache de port avant la tonte pour éviter l'entrée de corps étrangers risquant d'endommager le port.

10.4 CALENDRIER D'ENTRETIEN RECOMMANDÉ

Intervalles d'entretien de maintenance	Procédure de maintenance
Avant chaque usage ou quotidiennement	<ul style="list-style-type: none"> • Vérifiez le système de verrouillage de sécurité comme indiqué dans Système de verrouillage de sécurité au démarrage section (Référence 2,4,12). • Vérifiez le système de protection contre le retournement (ROPS) comme indiqué dans Système de verrouillage de sécurité au démarrage section (Référence 2,4,12). • Vérifiez la ceinture de sécurité comme indiqué dans la section Inspection de la ceinture de sécurité section (Référence 2,4,10). • Inspectez les lames. • Recherchez les signes de détérioration et d'effilochage sur l'isolation. • Vérifiez les contacts de tous les interrupteurs et freins. Si l'icône P s'affiche sur l'écran d'affichage DEL, les freins ne présentent aucune erreur. • Nettoyez le dessous du plateau de coupe. Nettoyez la zone sous le siège de l'opérateur et à proximité des batteries. Enlevez tous les déchets d'herbe, les feuilles et les débris du produit avant de commencer à travailler.
Tous les jours	<ul style="list-style-type: none"> • Vérifiez la pression des pneus.
Toutes les 100 heures	<ul style="list-style-type: none"> • Contrôlez les écrous de roue.
Avant le stockage	<ul style="list-style-type: none"> • Retirez les batteries et la clé de contact du produit. • Effectuez toutes les procédures d'entretien énumérées ci-dessus et nettoyez soigneusement le produit. • Inspectez l'ensemble de la tondeuse pour vérifier qu'il n'y a pas de pièces endommagées, manquantes ou desserrées, et remplacez ou serrez les pièces correspondantes avant de le ranger. • Peignez les surfaces écaillées.

10.5 CONTRÔLEZ LA PRESSION DES PNEUS

La pression des pneus devrait être vérifiée périodiquement et entretenue aux niveaux indiqués à la suite. Notez que ces recommandations peuvent légèrement différer du « Gonflage maximum » estampillé sur le flanc des pneus. Le dépassement du niveau de gonflage maximum risque de faire exploser le pneu. Les pressions indiquées assurent une traction appropriée et prolongent la vie utile du pneu.

Roues avant	26-28 psi
Roues motrices	18-20 psi

10.6 VALEURS DE COUPLE

▲ AVERTISSEMENT

Une attention particulière doit être accordée au serrage des écrous de roue d'entraînement et des boulons de l'axe de la lame. Si ces éléments ne sont pas serrés correctement, une roue ou une lame pourrait être perdue, ce qui pourrait provoquer des dommages graves ou des blessures.

Les valeurs de couple sont indiquées ci-dessous :

Pièce	Pi-lb	N.m
Écrous de roue	70-77	90-105
Boulons d'axe de lame	118	160

Écrous de roue uniquement : Il est recommandé de les vérifier après les 2 premières heures de fonctionnement initialement puis toutes les 100 heures et après leur retrait pour réparation ou remplacement.

10.7 ENTRETIEN DES LAMES DE TONDEUSE

10.7.1 ENTRETIEN DES LAMES DE LA TONDEUSE

Inspectez quotidiennement les lames de la tondeuse. Elles sont essentielles à l'efficacité de la puissance et à une tonte optimale. Veillez à ce qu'elles soient bien aiguisées, car une lame émoussée peut déchirer l'herbe au lieu de la couper, ce qui lui donne un aspect brun et ébouriffé au bout de quelques heures. En outre, une lame émoussée nécessite plus de puissance. Remplacez toutes les lames qui sont pliées, fissurées ou cassées.

▲ AVERTISSEMENT

N'essayez jamais de redresser une lame courbée en la chauffant, ni de souder une lame fissurée ou cassée, car la lame peut se briser et causer des blessures graves. Remplacez les lames usées ou endommagées.

▲ AVERTISSEMENT

Ne travaillez jamais sur les lames lorsque la clé de contact est insérée dans l'interrupteur d'allumage. Mettez la clé de contact en position d'arrêt (OFF) et retirez les batteries de l'appareil. Soutenez la tondeuse à l'aide de crics certifiés lorsque vous travaillez en dessous. Portez des gants lorsque vous manipulez les lames. Vérifiez toujours si les lames sont endommagées si la tondeuse heurte une pierre, une branche ou un autre objet étranger!

- La voile de la lame (partie incurvée) doit être dirigée vers le haut, vers l'intérieur du plateau, pour assurer une coupe correcte.
- Tournez les lames après leur installation pour vous assurer que leurs extrémités ne se touchent pas et ne touchent pas les côtés de la tondeuse.
- Veillez à ce que le couple de serrage du boulon soit correct afin d'éviter toute perte de lame, ce qui pourrait entraîner des blessures graves.
- Les lames de la tondeuse sont tranchantes et capables de couper. Portez toujours des gants et faites preuve d'une grande prudence lors de l'entretien.

10.7.2 RETRAIT DES LAMES DE TONDEUSE

▲ AVERTISSEMENT

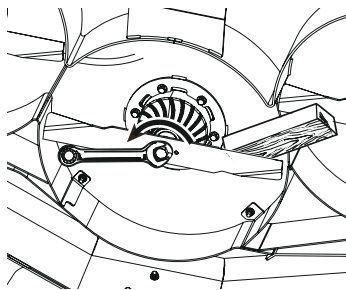
Les lames de tondeuse sont affûtées. Portez systématiquement des gants de protection lorsque vous manipulez des lames de tondeuse ou travaillez à proximité.

1. Stationnez la tondeuse sur une surface plane et de niveau, désengagez la PDF et faites pivoter les leviers de commande de direction vers l'extérieur pour engager le frein de stationnement. Éteignez la tondeuse et retirez la clé de contact et les batteries.
2. Utilisez une chandelle pour lever l'avant du châssis de la tondeuse afin de faciliter l'accès aux lames. La chandelle peut être placée contre l'attelage avant. Assurez-vous que la tondeuse est sécurisée avant de travailler dessous.

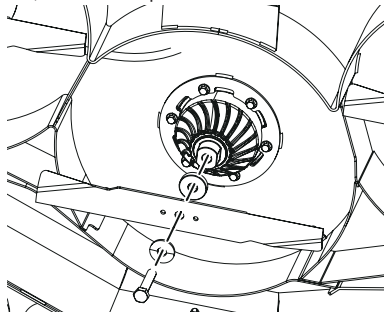
▲ AVERTISSEMENT

Assurez-vous que la tondeuse est sécurisée une fois levée avec la chandelle et en travaillant dessus.

3. Placez un bloc de bois entre la lame et le plateau de la tondeuse pour empêcher la lame de tourner durant votre travail.
4. Desserrez le boulon de lame dans le sens antihoraire horaire avec une clé à douille ou plate de 24 mm.



5. Retirez le boulon de lame, l'espaceur, la lame et le porte-lame.



10.7.3 INSPECTION DES LAMES DE TONDEUSE

Une lame de tondeuse usée ou endommagée risque de se briser, entraînant la projection de fragments dans la zone de l'opérateur ou des badauds et causant des blessures graves, voire mortelles. Inspectez avant chaque usage. Cessez le fonctionnement si la tondeuse heurte un objet et recherchez les dommages.

▲ AVERTISSEMENT

Les lames de tondeuse sont affûtées. Portez systématiquement des gants de protection lorsque vous manipulez des lames de tondeuse ou travaillez à proximité.

- Retirez la lame de tondeuse de la tondeuse. Voir **Retrait des lames** (Référence 10,7,2).
- Inspectez les lames de tondeuse pour apprécier si elles sont émoussées et nécessitent un affûtage ou présentent des signes de dommages et devraient être remplacées. Les lames présentant des fissures, de la corrosion, de la rouille, une usure excessive ou un cintrage devraient être mises au rebut.

10.7.4 INSTALLATION DES LAMES DE TONDEUSE

▲ AVERTISSEMENT

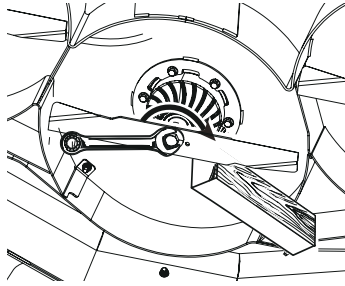
Les lames de tondeuse sont affûtées. Portez systématiquement des gants de protection lorsque vous manipulez des lames de tondeuse ou travaillez à proximité.

1. Installez les lames neuves selon la séquence spécifiée : porte-lame, lame, espaceur et boulon de lame. Assurez-vous que le voile de la lame (partie incurvée) pointe vers le haut, vers l'intérieur du carter.

▲ AVERTISSEMENT

Une orientation incorrecte des lames peut endommager le carter de coupe et affecter la stabilité de la tondeuse et, par conséquent, la sécurité de l'opérateur.

2. Serrez fermement les boulons de lame dans le sens horaire avec une clé à douille ou plate de 24 mm. Serrez à 160 N.m (118 ft-lbs).



11 DÉPANNAGE

PROBLÈME	CAUSE POSSIBLE	ACTION CORRECTIVE
Le produit ne bouge pas.	Il n'y a pas de batterie installée dans le compartiment de batterie ou il ne s'agit pas d'une batterie Greenworks officielle.	Utilisez uniquement une ou des batteries Greenworks officielles. Au moins une est nécessaire pour le fonctionnement.
	La puissance de la batterie est faible.	Vérifiez la puissance de la batterie. Si elle est faible, chargez la batterie.
	Les leviers de commande de direction sont en position de stationnement.	Assurez-vous que les leviers de commande de direction de droite et de gauche ne sont pas en position de stationnement.
	Personne n'est assis sur le siège ou l'interrupteur de présence d'opérateur fonctionne mal.	Assurez-vous que le conducteur est assis sur le siège.
	Après la mise sous tension, les interrupteurs de stationnement droit et gauche ne sont pas en position initiale.	Placez les leviers de commande de direction en position initiale et redémarrez le produit. Si le démarrage reste impossible, contactez un centre d'entretien après-vente Greenworks officiel.
	Le compartiment de batterie est en état de veille.	Positionnez la clé de contact sur OFF et attendez plus de 5 secondes avant le redémarrage du produit.
Le produit s'arrête soudainement durant la conduite.	La batterie n'est pas chargée.	Utilisez uniquement une ou des batteries Greenworks officielles. Au moins une batterie chargée à fond est nécessaire pour le fonctionnement.
	La conduite dans des conditions de terrain difficiles ou irrégulières peut déconnecter l'interrupteur de présence d'opérateur.	Placez les leviers de commande de direction en position initiale, redémarrez le produit et poussez les leviers de commande de direction.
	Défaillance de pédale d'accélérateur.	Contactez le centre d'entretien après-vente Greenworks.
	Défaillance de contrôleur de véhicule.	Contactez le centre d'entretien après-vente Greenworks.
La lame ne fonctionne pas après avoir actionné l'interrupteur PDF.	Il n'y a pas de batterie installée dans le compartiment de batterie ou il ne s'agit pas d'une batterie Greenworks officielle.	Utilisez uniquement une ou des batteries Greenworks officielles. Au moins une batterie chargée à fond est nécessaire pour le fonctionnement.
	La puissance de la batterie est inférieure à 5%.	Vérifiez la puissance de la batterie. Si elle est faible, chargez la batterie.
	L'interrupteur de présence de l'opérateur fonctionne mal.	Assurez-vous que le conducteur est assis sur le siège.
	L'interrupteur de lame (PDF) n'est pas sur la position correcte avant la mise sous tension.	Appuyez sur l'interrupteur PDF puis tirez-le à nouveau vers le haut.
	Blocage de moteur de lames ou autre protection fonctionnelle.	Assurez-vous de l'absence de mauvaises herbes ou de corps étrangers sur le point de connexion entre la lame et le moteur. Il est recommandé de lever le carter et de démarrer la lame pour assurer le fonctionnement normal avant d'ajuster la hauteur de carter.
	Dysfonctionnement du contrôleur d'entraînement	Vérifiez le code d'erreur à l'affichage. Contactez le centre d'entretien après-vente Greenworks.

PROBLÈME	CAUSE POSSIBLE	ACTION CORRECTIVE
La lame s'arrête en tondant l'herbe.	Dysfonctionnement de contrôleur de lames	Vérifiez le code d'erreur à l'affichage. Contactez le centre d'entretien après-vente Greenworks.
	Moteur de lames surchargé.	Nettoyez l'intérieur du carter, assurez-vous que la rotation de la lame n'est pas anormale, appuyez sur l'interrupteur PDF, redémarrez le produit et réduisez la charge sur la lame, soit en levant le carter de coupe, soit en réduisant la vitesse de conduite.
	La température de la batterie est trop élevée.	N'utilisez pas le produit immédiatement après la charge. Sinon, vous risquez de déclencher l'erreur de protection de température de batterie.
	La puissance de la batterie est inférieure à 5%.	Vérifiez la puissance de la batterie. Si elle est faible, chargez la batterie.
	La lame est frappée par un objet étranger, ce qui provoque son arrêt soudain.	Positionnez la clé de contact sur OFF et attendez plus de 5 secondes avant le redémarrage du produit.
	Dysfonctionnement du contrôleur d'entraînement	Vérifiez le code d'erreur à l'affichage. Contactez le centre de service après-vente Greenworks. Contactez le centre d'entretien après-vente Greenworks.
La tondeuse coupe l'herbe irrégulièrement et la différence de hauteur est importante.	La lame est émoussée.	Contactez le centre d'entretien après-vente Greenworks pour faire affûter ou remplacer les lames.
	La lame est tordue.	Remplacez la lame selon les instructions du manuel et portez un équipement de protection.
	Carter irrégulier.	Contactez le centre d'entretien après-vente Greenworks pour niveler le carter.
La hauteur de tonte réelle ne correspond pas à celle réglée.	Les boulons de montage de carter sont desserrés.	Serrez fermement les boulons de montage de carter. Le carter doit être nivelé à nouveau après l'ajustement des boulons de montage.
	Le carter est gravement usé ou endommagé.	Contactez le centre d'entretien après-vente Greenworks pour remplacer le carter.
Déchiquetage anormal du produit	L'herbe est trop humide.	Attendez que l'herbe sèche.
	L'herbe est trop haute/ dense.	Levez le carter et tondez en plusieurs passages, en ajustant la hauteur en conséquence.
Vibrations de produit excessives	Les boulons de lame sont desserrés.	Contactez le centre d'entretien après-vente Greenworks pour faire affûter ou remplacer les lames.
	La lame est tordue.	Remplacez la lame tordue selon les instructions du manuel et portez un équipement de protection.
	Carter irrégulier.	Contactez le centre d'entretien après-vente Greenworks pour niveler le carter.
	Les boulons de montage de carter sont desserrés.	Serrez fermement les boulons de montage de carter. Le carter doit être nivelé à nouveau après l'ajustement des boulons de montage.
	L'herbe est trop haute/ dense.	Si l'herbe est trop dense et trop haute, relevez le plateau et tentez d'éviter de couper de l'herbe trop lourde.
Il y a de l'herbe ou des débris restants au sol après la tonte.	L'herbe est trop haute/ dense.	Levez le carter et tondez en plusieurs passages, en ajustant la hauteur en conséquence. Si l'herbe dépasse 6 po., exécutez deux cycles de tonte pour obtenir l'effet de tonte. Efforcez-vous d'éviter autant que possible de tondre de l'herbe dense.

PROBLÈME	CAUSE POSSIBLE	ACTION CORRECTIVE
	L'herbe est trop humide.	Attendez que l'herbe sèche.
	La vitesse de conduite est trop élevée.	Ralentissez.
	La vitesse de coupe de lame est trop basse.	Augmentez la vitesse de lame.
Durée de tonte courte	Herbe trop haute /dense.	Levez le carter ou réduisez la vitesse de lame pour augmenter l'autonomie de la tondeuse avec une seule charge.
La tondeuse dévie	Pressions de pneus différentes	Vérifiez régulièrement la pression des pneus arrière du produit en suivant les instructions du manuel.
Le produit ne démarre pas après le lavage.	Nettoyage inapproprié causant l'infiltration d'eau dans l'écran d'affichage numérique, le compartiment de batterie ou d'autres composants électroniques.	<ol style="list-style-type: none"> 1. Suivez les instructions pour nettoyer le produit. 2. Si le produit est trempé accidentellement, rangez-le à un endroit sec pendant 12 heures ou séchez-le par soufflage avant le redémarrage. 3. Contactez le centre d'entretien après-vente Greenworks si le problème persiste.
La tondeuse est bloquée.	Des mauvaises herbes et des débris s'accumulent sur le carter.	Suivez les instructions du manuel pour nettoyer le produit après chaque utilisation.
Le produit avec le frein de stationnement glisse en pente.	Usure grave des pneus.	Contactez le centre d'entretien après-vente Greenworks pour remplacer les pneus.
	Le frein de stationnement est endommagé ou très utilisé.	Contactez le centre d'entretien après-vente Greenworks pour remplacer le frein de stationnement.
	Le frein de stationnement est desserré manuellement.	Vérifiez le frein de stationnement et remettez-le en position initiale.

12 DONNÉES TECHNIQUES

Numéro de modèle	MZ548	MZ608
Tension	82 V	82 V
Longueur	76,18 pouces /185 cm)	76,18 pouces /185 cm)
Hauteur	73 pouces /	73 pouces /
Largeur (avec goulotte d'évacuation)	66,1 pouces /	75,24 pouces /
Largeur du plateau	55 pouces /	61 pouces /
Vitesse de conduite	4/6/8 mph	4/6/8 mph
Vitesse de la lame	2800/3400/3600/3800 / min	2600/3000/3200/3400 / min
Vitesse à vide	2800/3400/3600/3800 TR / MIN	2600/3000/3200/3400 TR / MIN
Modèle du chargeur	CAB80002 et autres séries CAB	CAB80002 et autres séries CAB
Modèle de batterie	BAB70015, BAB733, BAB735 et autres séries BAB	BAB70015, BAB733, BAB735 et autres séries BAB

Plage de température ambiante recommandée :

Plage de température d'entreposage du produit	32 °F (95 °C) ~ 0 °F (35 °C)	
Plage de température d'utilisation du produit	7 °F ~ 104 °F (-14 °C ~ 40 °C)	
Plage de température de stockage de la batterie	moins d'un mois	32 °F ~ 122 °F (0 °C ~ 50 °C)
	moins de trois mois	32 °F ~ 104 °F (0 °C ~ 40 °C)
	plus de trois mois	32 °F ~ 68 °F (0 °C ~ 20 °C)
Température d'utilisation du chargeur	32 °F ~ 104 °F (0 °C ~ 40 °C)	
Plage de température de recharge de la batterie	32 °F ~ 104 °F (0 °C ~ 40 °C)	
Plage de température de décharge de la batterie	7 °F ~ 104 °F (-14 °C ~ 40 °C)	

13 GARANTIE

Greenworks garantit par la présente ce produit, à l'acheteur original avec preuve d'achat, pour une période de quatre (4) ans contre tout défaut de matériaux, de pièces ou de main-d'œuvre, ou 200 heures d'utilisation (selon la première éventualité) contre les défauts de matériaux, de pièces ou de fabrication. Greenworks, à sa propre discrétion, réparera ou remplacera toutes les pièces défectueuses, dans des conditions normales d'utilisation, sans frais pour le client. Cette garantie n'est valable que pour les appareils qui ont été utilisés à des fins personnelles, qui n'ont pas été loués à des fins industrielles ou commerciales et qui ont été entretenus conformément aux instructions du manuel du propriétaire fourni avec le produit neuf.

13.1 ARTICLES NON COUVERTS PAR LA GARANTIE :

1. Tout ce qui a été transféré à un nouveau propriétaire. Cette garantie s'applique uniquement à l'acheteur d'origine d'un détaillant ou revendeur Greenworks agréé. Cette garantie n'est pas transférable.
2. Toute pièce qui est devenue inopérante en raison d'une mauvaise utilisation, d'une utilisation commerciale, d'un abus, d'une négligence, d'un accident, d'un entretien inapproprié ou d'une modification; ou
3. S'il n'a pas été utilisé et/ou entretenu conformément au manuel du propriétaire; ou
4. Usure normale.
5. Les pièces ou les services d'entretien courant incluent, mais sans s'y limiter: les lubrifiants, l'usure du siège de la tondeuse, l'affûtage des lames, les roues, les gradins, les roues anti-scalp, les lames ainsi que tout accessoire ou accessoire optionnel.

6. Détérioration normale du fini extérieur due à l'utilisation ou à l'exposition.
7. Dommages ou pannes résultant, mais pas uniquement: de l'immersion dans l'eau ou d'autres liquides, ts, mauvaise utilisation, négligence ou manque d'installation appropriée, et entretien et stockage appropriés.
8. Un article qui n'a pas été enregistré sur un site Web Greenworks autorisé (voir les renseignements d'enregistrement avec le code QR ou ceux sur la page du produit pour un enregistrement correct du produit).

13.2 LIGNE D'ASSISTANCE TÉLÉPHONIQUE

Le service de garantie est disponible en appelant notre ligne d'assistance téléphonique sans frais, au 1-855-470-4267.

13.3 FRAIS DE TRANSPORT :

Les frais de transport pour le déplacement de tout équipement motorisé ou accessoire sont à la charge de l'acheteur. Il incombe à l'acheteur de payer les frais de transport pour toute pièce retournée pour remplacement en vertu de la présente garantie, à moins qu'un tel retour soit demandé par écrit par .

Adresse aux États-Unis :

Greenworks Tools

P.O. Box 1238

Mooresville, NC 28115

Adresse au Canada :

Greenworks Tools Canada Inc.

P.O. Box 93095, Newmarket, Ontario

L3Y 8K3

14 GREENWORKS ENREGISTREMENT DE PRODUIT

NOM :			
ADRESSE :			
VILLE :	ÉTAT/PROVINCE :	CODE POSTAL :	PAYS :
NUMÉRO DE TÉLÉPHONE :		NUMÉRO DE TÉLÉPHONE CELLULAIRE :	
DATE DE L'ACHAT :		ACHAT EFFECTUÉ AUPRÈS DE :	

15 NUMÉRO(S) DE SÉRIE

Veillez indiquer le ou les numéros de série ci-dessous avec les renseignements sur le modèle :

DESCRIPTION	NO. DE MOD-ÈLE	NO. DE PIÈCE	NO. DE SÉRIE	DATE D'ACHAT

16 ERREURS

Le système de bus CAN prend des mesures pour protéger l'utilisateur et le produit lorsqu'il détecte un problème. Lorsqu'il éteint le produit ou un composant, c'est l'indication d'une erreur. Ce code d'erreur est présenté sur l'affichage numérique. Chaque erreur électrique a un code de lettre suivi d'un chiffre.

La première lettre décrit le système qui a provoqué l'erreur selon ce tableau :

Nom	Signification
TR	Contrôleur de moteur de roue droite
TL	Contrôleur de moteur de roue gauche
PMU	Unité de gestion de l'alimentation (dans le compartiment de batterie)
ML	Contrôleur de moteur de lame gauche
MM	Contrôleur de moteur de lame centrale
MR	Contrôleur de moteur de lame droite

16.1 CODES D'ERREUR DU CONTRÔLEUR DU MOTEUR DE LA ROUE DROITE

Codes d'erreur	Contenu des erreurs	Suggestions
TR 2	Calage de moteur d'entraînement	Vérifiez si les roues d'entraînement sont bloquées et redémarrez l'alimentation électrique.
TR 5	Erreur d'encodeur de moteur	Vérifiez que le connecteur du moteur est bien connecté avec le contrôleur d'entraînement puis redémarrez l'alimentation électrique.
TR 6	Perte de phase de contrôleur	Vérifiez que les câbles de moteur du contrôleur d'entraînement sont bien connectés puis redémarrez l'alimentation électrique.
TR 7	Erreur MOSFET	Si vous rencontrez ce problème, contactez votre distributeur pour une solution.
TR 8	Sous-tension de contrôleur	La tension est trop basse. Chargez le bloc-batterie avant usage.
TR 9	Surtension de contrôleur	La tension est trop élevée. Redémarrez l'alimentation électrique.
TR 12	Surchauffe de moteur	La température du moteur est trop élevée. Attendez que le moteur refroidisse puis redémarrez l'alimentation électrique.
TR 13	Surchauffe de contrôleur	La température du contrôleur est trop élevée. Attendez que le contrôleur refroidisse puis redémarrez l'alimentation électrique.
TR 14	Surintensité - Niveau 1	La charge est trop élevée. Redémarrez l'alimentation électrique.
TR 15	Surintensité - Niveau 2	La charge est trop élevée. Redémarrez l'alimentation électrique.
TR 16	Erreur de contrôleur de vitesse	Vérifiez que les câbles de moteur du contrôleur de vitesse de la poignée sont bien connectés puis redémarrez l'alimentation électrique.
TR 19	Erreur de séquence de fonctionnement	Placez les leviers droit et gauche en position de stationnement et réessayez.
TR 21	Erreur de relais ETO	Redémarrez l'alimentation électrique.
TR 22	Erreur de vanne magnétique	Vérifiez que la vanne solénoïde du moteur d'entraînement est bien connectée puis redémarrez l'alimentation électrique.
TR 23	Erreur de communication de compartiment de batterie (PMU)	Défaillance de communication avec le compartiment de batterie. Redémarrez l'alimentation électrique.
TR 24	Erreur de compartiment de batterie (PMU)	Erreur mineure / majeure dans compartiment de batterie. Contrôlez puis redémarrez l'alimentation électrique.
TR 25	Erreur temporisation CAN - entraînement gauche	Défaillance de communication avec le contrôleur d'entraînement gauche. Redémarrez l'alimentation électrique.
TR 26	Erreur temporisation CAN - entraînement droit	Défaillance de communication avec le contrôleur d'entraînement droit. Redémarrez l'alimentation électrique.

Codes d'erreur	Contenu des erreurs	Suggestions
TR 27	Erreur temporisation CAN - lame gauche	Défaillance de communication avec le contrôleur de la lame gauche. Redémarrez l'alimentation électrique.
TR 28	Erreur temporisation CAN - lame centrale	Défaillance de communication avec le contrôleur de la lame centrale. Redémarrez l'alimentation électrique.
TR 29	Erreur temporisation CAN - lame droite	Défaillance de communication avec le contrôleur de la lame droite. Redémarrez l'alimentation électrique.
TR 31	Erreur de vérification d'interrupteur de siège	Vérifiez que le connecteur sous le siège est bien connecté puis redémarrez l'alimentation électrique.
TR 32	Erreur d'authentification du logiciel	Redémarrez l'alimentation électrique.
TR 42	Erreur de vérification de version logicielle	Redémarrez l'alimentation électrique.
TR 60	Température trop basse de contrôleur	Redémarrez l'alimentation électrique.
TR 61	Alimentation électrique - erreur 5V	Redémarrez l'alimentation électrique.
TR 62	Alimentation électrique - erreur 12V	Redémarrez l'alimentation électrique.
TR 63	Erreur de capteur de température de contrôleur	Redémarrez l'alimentation électrique.
TR 64	Erreur Flash de contrôleur	Redémarrez l'alimentation électrique.
TR 65	Erreur de données d'encodeur de moteur	Redémarrez l'alimentation électrique.
TR 66	Erreur de communication interne de contrôleur	Redémarrez l'alimentation électrique.
TR 67	Alarme de surchauffe de moteur	La température du moteur est trop élevée. Attendez que le moteur refroidisse puis redémarrez l'alimentation électrique.
TR 68	Alarme de surchauffe de contrôleur	La température du contrôleur est trop élevée. Attendez que le contrôleur refroidisse puis redémarrez l'alimentation électrique

16.2 CODES D'ERREUR DU CONTRÔLEUR DU MOTEUR DE LA ROUE GAUCHE

Codes d'erreur	Contenu des erreurs	Suggestions
TL 2	Calage de moteur d'entraînement	Vérifiez si les roues d'entraînement sont bloquées et redémarrez l'alimentation électrique.
TL 5	Erreur d'encodeur de moteur	Vérifiez que le connecteur du moteur est bien connecté avec le contrôleur d'entraînement puis redémarrez l'alimentation électrique.
TL 6	Perte de phase de contrôleur	Vérifiez que les câbles de moteur du contrôleur d'entraînement sont bien connectés puis redémarrez l'alimentation électrique.
TL 7	Erreur MOSFET	Si vous rencontrez ce problème, contactez votre distributeur pour une solution.
TL 8	Sous-tension de contrôleur	La tension est trop basse. Chargez le bloc-batterie avant usage.
TL 9	Surtension de contrôleur	La tension est trop élevée. Redémarrez l'alimentation électrique.
TL 12	Surchauffe de moteur	La température du moteur est trop élevée. Attendez que le moteur refroidisse puis redémarrez l'alimentation électrique.
TL 13	Surchauffe de contrôleur	La température du contrôleur est trop élevée. Attendez que le contrôleur refroidisse puis redémarrez l'alimentation électrique
TL 14	Surintensité - Niveau 1	La charge est trop élevée. Redémarrez l'alimentation électrique.
TL 15	Surintensité - Niveau 2	La charge est trop élevée. Redémarrez l'alimentation électrique.
TL 16	Erreur de manette des gaz	Vérifiez que les câbles de moteur du contrôleur de vitesse de la poignée sont bien connectés puis redémarrez l'alimentation électrique.
TL 19	Erreur de séquence de fonctionnement	Placez les leviers droit et gauche en position de stationnement et réessayez.
TL 21	Erreur de relais ETO	Redémarrez l'alimentation électrique.
TL 22	Erreur de vanne magnétique	Vérifiez que la vanne solénoïde du moteur d'entraînement est bien connectée puis redémarrez l'alimentation électrique.
TL 23	Erreur de communication de compartiment de batterie (PMU)	Défaillance de communication avec le compartiment de batterie. Redémarrez l'alimentation électrique.
TL 24	Erreur de compartiment de batterie (PMU)	Erreur mineure /majeure dans compartiment de batterie. Contrôlez puis redémarrez l'alimentation électrique.
TL 25	Erreur temporisation CAN - entraînement gauche	Défaillance de communication avec le contrôleur d'entraînement gauche. Redémarrez l'alimentation électrique.
TL 26	Erreur temporisation CAN - entraînement droit	Défaillance de communication avec le contrôleur d'entraînement droit. Redémarrez l'alimentation électrique.

Codes d'erreur	Contenu des erreurs	Suggestions
TL 27	Erreur temporisation CAN - lame gauche	Défaillance de communication avec le contrôleur de la lame gauche. Redémarrez l'alimentation électrique.
TL 28	Erreur temporisation CAN - lame centrale	Défaillance de communication avec le contrôleur de la lame centrale. Redémarrez l'alimentation électrique.
TL 29	Erreur temporisation CAN - lame droite	Défaillance de communication avec le contrôleur de la lame droite. Redémarrez l'alimentation électrique.
TL 31	Erreur de vérification d'interrupteur de siège	Vérifiez que le connecteur sous le siège est bien connecté puis redémarrez l'alimentation électrique.
TL 32	Erreur d'authentification du logiciel	Redémarrez l'alimentation électrique.
TL 42	Erreur de vérification de version logicielle	Redémarrez l'alimentation électrique.
TL 60	Température trop basse de contrôleur	Redémarrez l'alimentation électrique.
TL 61	Alimentation électrique - erreur 5V	Redémarrez l'alimentation électrique.
TL 62	Alimentation électrique - erreur 12V	Redémarrez l'alimentation électrique.
TL 63	Erreur de capteur de température de contrôleur	Redémarrez l'alimentation électrique.
TL 64	Erreur Flash de contrôleur	Redémarrez l'alimentation électrique.
TL 65	Erreur de données d'encodeur de moteur	Redémarrez l'alimentation électrique.
TL 66	Erreur de communication interne de contrôleur	Redémarrez l'alimentation électrique.
TL 67	Alarme de surchauffe de moteur	La température du moteur est trop élevée. Attendez que le moteur refroidisse puis redémarrez l'alimentation électrique.
TL 68	Alarme de surchauffe de contrôleur	La température du contrôleur est trop élevée. Attendez que le contrôleur refroidisse puis redémarrez l'alimentation électrique.

16.3 CODES D'ERREUR DE L'UNITÉ DE GESTION DE L'ALIMENTATION (DANS LE COMPARTIMENT DE LA BATTERIE)

Codes d'erreur	Contenu des erreurs	Suggestions
PMU 1	Surintensité - Niveau 1	La charge du PMU est trop élevée. L'erreur se résoudra automatiquement lorsque la charge diminuera.
PMU 2	Surchauffe - Niveau 1	La température du PMU est trop élevée. L'erreur se résoudra automatiquement lorsque la température baissera.
PMU 33	Surintensité du matériel	La charge du PMU est trop élevée. Redémarrez l'alimentation électrique.
PMU 34	Surintensité de retour	Redémarrez l'alimentation électrique.
PMU 35	Surchauffe - Niveau 2	La température du PMU est trop élevée. Attendez que la température baisse, puis redémarrez l'alimentation.
PMU 36	Sous-tension	La tension est trop faible. Chargez les batteries et réessayez.
PMU 37	Surtension	La tension est trop élevée. Redémarrez l'alimentation électrique.
PMU 38	Défaillance de l'alimentation de sortie	Redémarrez l'alimentation électrique.
PMU 41	Aucune batterie disponible	Vérifiez que vous utilisez une batterie adaptée, puis redémarrez l'alimentation.
PMU 46	Erreur du circuit d'alimentation	Contactez votre distributeur pour trouver une solution.
PMU 47	Erreur de pré-charge	Redémarrez l'alimentation électrique et contactez votre distributeur pour trouver une solution.
PMU 48	Erreur matérielle de pré-charge	Contactez votre distributeur pour trouver une solution.
PMU 49	Erreur de détection de la température du MOS négatif	Contactez votre distributeur pour trouver une solution.
PMU 52	Erreur du capteur de courant	Contactez votre distributeur pour trouver une solution.
PMU 57	Erreur KSI Pre-MOS	Contactez votre distributeur pour trouver une solution.
PMU 59	Erreur KSI MOS	Contactez votre distributeur pour trouver une solution.
PMU 61	Le bloc-batterie 1 ne correspond pas	Remplacez le bloc-batterie par une plate-forme de tension appropriée.
PMU 62	Le bloc-batterie 2 ne correspond pas	Remplacez le bloc-batterie par une plate-forme de tension appropriée.

Codes d'erreur	Contenu des erreurs	Suggestions
PMU 63	Le bloc-batterie 3 ne correspond pas	Remplacez le bloc-batterie par une plate-forme de tension appropriée.
PMU 64	Le bloc-batterie 4 ne correspond pas	Remplacez le bloc-batterie par une plate-forme de tension appropriée.
PMU 65	Le bloc-batterie 5 ne correspond pas	Remplacez le bloc-batterie par une plate-forme de tension appropriée.
PMU 66	Le bloc-batterie 6 ne correspond pas	Remplacez le bloc-batterie par une plate-forme de tension appropriée.
PMU 67	Statut de charge anormal	Vérifiez que la prise de charge est connectée ou que l'entrée du chargeur est branchée.

16.4 CODES D'ERREUR DE CONTRÔLEUR DE MOTEUR DE LAME GAUCHE

Codes d'erreur	Contenu des erreurs	Suggestions
ML 2	Calage de moteur de lames	Vérifiez la charge de tonte et ramenez l'interrupteur de démarrage de lames en position initiale.
ML 6	Perte de phase de contrôleur	Vérifiez que les câbles de moteur du contrôleur d'entraînement sont bien connectés puis redémarrez l'alimentation électrique.
ML 7	Erreur MOSFET	Si vous rencontrez ce problème, contactez votre distributeur pour une solution.
ML 8	Sous-tension de contrôleur	La tension est trop basse. Chargez le bloc-batterie avant usage.
ML 9	Surtension de contrôleur	La tension est trop élevée. Redémarrez l'alimentation électrique.
ML 13	Surchauffe de contrôleur	La température du contrôleur est trop élevée. Attendez que le contrôleur refroidisse puis redémarrez l'alimentation électrique
ML 14	Surintensité logiciel	La charge est trop élevée. Redémarrez l'alimentation électrique.
ML 15	Surintensité matériel	La charge est trop élevée. Redémarrez l'alimentation électrique.
ML 19	Erreur de séquence de fonctionnement	Placez les poignées gauche et droite en position de stationnement et l'interrupteur de démarrage de lame sur OFF. Asseyez-vous sur le siège et réessayez.
ML 25	Erreur temporisation CAN - entraînement gauche	Défaillance de communication avec le contrôleur d'entraînement gauche. Redémarrez l'alimentation électrique.
ML 26	Erreur temporisation CAN - entraînement droit	Défaillance de communication avec le contrôleur d'entraînement droit. Redémarrez l'alimentation électrique.
ML 27	Erreur temporisation CAN - lame gauche	Défaillance de communication avec le contrôleur de la lame gauche. Redémarrez l'alimentation électrique.
ML 28	Erreur temporisation CAN - lame centrale	Défaillance de communication avec le contrôleur de la lame centrale. Redémarrez l'alimentation électrique.
ML 29	Erreur temporisation CAN - lame droite	Défaillance de communication avec le contrôleur de la lame droite. Redémarrez l'alimentation électrique.
ML 31	Échec de vérification de signal de lame	Vérifiez que l'interrupteur de démarrage de lames est bien connecté puis ramenez l'interrupteur en position initiale.
ML 32	Erreur d'authentification du logiciel	Redémarrez l'alimentation électrique.

Français

Codes d'erreur	Contenu des erreurs	Suggestions
ML 42	Erreur de vérification de version logicielle	Redémarrez l'alimentation électrique.

FR

16.5 CODES D'ERREUR DE CONTRÔLEUR DE MOTEUR DE LAME CENTRALE

Codes d'erreur	Contenu des erreurs	Suggestions
MM 2	Calage de moteur de lames	Vérifiez la charge de tonte et ramenez l'interrupteur de démarrage de lames en position initiale.
MM 6	Perte de phase de contrôleur	Vérifiez que les câbles de moteur du contrôleur d'entraînement sont bien connectés puis redémarrez l'alimentation électrique.
MM 7	Erreur MOSFET	Si vous rencontrez ce problème, contactez votre distributeur pour une solution.
MM 8	Sous-tension de contrôleur	La tension est trop basse. Chargez le bloc-batterie avant usage.
MM 9	Surtension de contrôleur	La tension est trop élevée. Redémarrez l'alimentation électrique.
MM 13	Surchauffe de contrôleur	La température du contrôleur est trop élevée. Attendez que le contrôleur refroidisse puis redémarrez l'alimentation électrique
MM 14	Surintensité logiciel	La charge est trop élevée. Redémarrez l'alimentation électrique.
MM 15	Surintensité matériel	La charge est trop élevée. Redémarrez l'alimentation électrique.
MM 19	Erreur de séquence de fonctionnement	Placez les poignées gauche et droite en position de stationnement et l'interrupteur de démarrage de lame sur OFF. Asseyez-vous sur le siège et réessayez.
MM 25	Erreur temporisation CAN - entraînement gauche	Défaillance de communication avec le contrôleur d'entraînement gauche. Redémarrez l'alimentation électrique.
MM 26	Erreur temporisation CAN - entraînement droit	Défaillance de communication avec le contrôleur d'entraînement droit. Redémarrez l'alimentation électrique.
MM 27	Erreur temporisation CAN - lame gauche	Défaillance de communication avec le contrôleur de la lame gauche. Redémarrez l'alimentation électrique.
MM 28	Erreur temporisation CAN - lame centrale	Défaillance de communication avec le contrôleur de la lame centrale. Redémarrez l'alimentation électrique.
MM 29	Erreur temporisation CAN - lame droite	Défaillance de communication avec le contrôleur de la lame droite. Redémarrez l'alimentation électrique.
MM 31	Échec de vérification de signal de lame	Vérifiez que l'interrupteur de démarrage de lames est bien connecté puis ramenez l'interrupteur en position initiale.
MM 32	Erreur d'authentification du logiciel	Redémarrez l'alimentation électrique.

Codes d'erreur	Contenu des erreurs	Suggestions
MM 42	Erreur de vérification de version logicielle	Redémarrez l'alimentation électrique.

16.6 CODES D'ERREUR DE CONTRÔLEUR DE MOTEUR DE LAME DROITE

Codes d'erreur	Contenu des erreurs	Suggestions
MR 2	Calage de moteur de lames	Vérifiez la charge de tonte et ramenez l'interrupteur de démarrage de lames en position initiale.
MR 6	Perte de phase de contrôleur	Vérifiez que les câbles de moteur du contrôleur d'entraînement sont bien connectés puis redémarrez l'alimentation électrique.
MR 7	Erreur MOSFET	Si vous rencontrez ce problème, contactez votre distributeur pour une solution.
MR 8	Sous-tension de contrôleur	La tension est trop basse. Chargez le bloc-batterie avant usage.
MR 9	Surtension de contrôleur	La tension est trop élevée. Redémarrez l'alimentation électrique.
MR 13	Surchauffe de contrôleur	La température du contrôleur est trop élevée. Attendez que le contrôleur refroidisse puis redémarrez l'alimentation électrique
MR 14	Surintensité logiciel	La charge est trop élevée. Redémarrez l'alimentation électrique.
MR 15	Surintensité matériel	La charge est trop élevée. Redémarrez l'alimentation électrique.
MR 19	Erreur de séquence de fonctionnement	Placez les poignées gauche et droite en position de stationnement et l'interrupteur de démarrage de lame sur OFF. Asseyez-vous sur le siège et réessayez.
MR 25	Erreur temporisation CAN - entraînement gauche	Défaillance de communication avec le contrôleur d'entraînement gauche. Redémarrez l'alimentation électrique.
MR 26	Erreur temporisation CAN - entraînement droit	Défaillance de communication avec le contrôleur d'entraînement droit. Redémarrez l'alimentation électrique.
MR 27	Erreur temporisation CAN - lame gauche	Défaillance de communication avec le contrôleur de la lame gauche. Redémarrez l'alimentation électrique.
MR 28	Erreur temporisation CAN - lame centrale	Défaillance de communication avec le contrôleur de la lame centrale. Redémarrez l'alimentation électrique.
MR 29	Erreur temporisation CAN - lame droite	Défaillance de communication avec le contrôleur de la lame droite. Redémarrez l'alimentation électrique.
MR 31	Échec de vérification de signal de lame	Vérifiez que l'interrupteur de démarrage de lames est bien connecté puis ramenez l'interrupteur en position initiale.
MR 32	Erreur d'authentification du logiciel	Redémarrez l'alimentation électrique.

Français

Codes d'erreur	Contenu des erreurs	Suggestions
MR 42	Erreur de vérification de version logicielle	Redémarrez l'alimentation électrique.

FR

1	Introducción.....	104	8	Transporte.....	130
1.1	Descripción del producto.....	104	8.1	Transporte del cortacésped.....	130
1.2	Uso previsto.....	104	8.2	Transporte de las baterías de iones de litio.....	130
1.3	Símbolos en el producto.....	104	8.3	Palanca de derivación de punto muerto.....	130
1.4	Eliminación de batería segura para el medio ambiente.....	105	8.4	Desplazamiento manual del cortacésped.....	131
1.5	Propuesta 65 de California.....	105	9	Limpieza y almacenamiento. 131	
2	Seguridad.....	105	9.1	Limpieza del producto.....	131
2.1	Definiciones de seguridad.....	105	9.2	Almacenamiento del producto.....	131
2.2	Advertencias de seguridad generales.	105	10	Mantenimiento.....	132
2.3	Advertencias de seguridad para cortacéspedes con conductor sentado	107	10.1	Seguridad durante el mantenimiento...	132
2.4	Prácticas seguras para los cortacéspedes con conductor sentado	108	10.2	Mantenimiento de la batería.....	132
3	Desembalaje del producto....	112	10.3	Carga.....	132
4	Montaje.....	113	10.4	Programas de mantenimiento recomendados.....	134
4.1	Instale la barra antivuelco.....	113	10.5	Comprobación de la presión de los neumáticos.....	134
4.2	Instalación del asiento.....	114	10.6	Valores de par.....	134
4.3	Instale el portón trasero del compartimiento trasero de almacenamiento.....	115	10.7	Tareas de servicio de las cuchillas del cortacésped.....	135
4.4	Instalación de la palanca de control de dirección.....	115	11	Solución de problemas.....	138
5	Funciones y controles.....	116	12	Datos técnicos.....	140
5.1	Controles del producto.....	117	13	Garantía.....	141
6	Sistema eléctrico.....	120	13.1	ARTÍCULOS NO CUBIERTOS POR LA GARANTÍA:.....	141
6.1	Seguridad del sistema eléctrico.....	120	13.2	Línea de asistencia telefónica.....	141
6.2	Información sobre el sistema eléctrico	121	13.3	COSTES DE TRANSPORTE:.....	141
7	Funcionamiento.....	121	14	Registro de producto de Greenworks.....	142
7.1	Antes del funcionamiento.....	121	15	Número(s) de serie.....	142
7.2	Ponga el producto en marcha.....	122	16	Errores.....	142
7.3	Parada del producto.....	123	16.1	Códigos de error del controlador del motor de la rueda derecha.....	144
7.4	Pantalla de indicación digital.....	124	16.2	Códigos de error del controlador del motor de la rueda izquierda.....	146
7.5	Consejos de funcionamiento de la aplicación.....	126	16.3	Códigos de error de la unidad de gestión de alimentación (en el compartimento de la batería).....	148
7.6	Prácticas de conducción de cortacéspedes de giro cero.....	127			
7.7	Corte de hierba.....	128			
7.8	Patrones de segado.....	129			
7.9	Recomendaciones de segado.....	129			

- | | | | | | |
|------|--|-----|------|--|-----|
| 16.4 | Códigos de error del controlador del motor de la cuchilla izquierda..... | 150 | 16.6 | Códigos de error del controlador del motor de la cuchilla derecha..... | 154 |
| 16.5 | Códigos de error del controlador del motor de la cuchilla central..... | 152 | | | |

1 INTRODUCCIÓN

1.1 DESCRIPCIÓN DEL PRODUCTO

Este producto es un cortacésped de giro cero con funcionamiento a batería que dispone de motores eléctricos.





Nos comprometemos a mejorar continuamente nuestros productos y nos reservamos el derecho a modificar el diseño y el aspecto sin previo aviso.


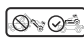




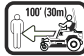





1.2 USO PREVISTO

El producto se ha diseñado para el corte y el mantenimiento eficaz de la hierba en céspedes residenciales y espacios exteriores. No se ha diseñado para ningún otro fin.

1.3 SÍMBOLOS EN EL PRODUCTO

Lea los adhesivos de seguridad antes de utilizar el producto. Las advertencias se han desarrollado para su seguridad. Debe entender y seguir todos los adhesivos de seguridad para reducir el riesgo de lesiones personales o daños materiales.

Símbolo	Explicación
IPX4	Protección de salpicaduras de agua.
V	Tensión
kg	Kilogramo
lbs	Libra
	Indica un riesgo potencial de lesiones personales.
	Para reducir el riesgo de lesiones, el usuario debe leer y entender el manual del operario antes de utilizar este producto.
	Lleve protección auditiva.
	Lleve siempre gafas o anteojos de seguridad con protectores laterales y un protector facial completo cuando utilice este producto.
	Se requiere formación profesional antes de utilizar el producto.
	No corte el césped cuando haya niños u otras personas alrededor.
	No abra ni retire las protecciones de seguridad mientras el producto esté funcionando.

Símbolo	Explicación
	Para reducir el riesgo de lesiones, mantenga las manos y los pies alejados de las piezas giratorias. No utilice a menos que la cubierta de descarga o la bolsa recogehierba estén en su posición. En caso de daños, sustituya inmediatamente.
	No remolque este producto para evitar daños en el sistema de transmisión.
	Nunca transporte niños ni ninguna otra persona, ni siquiera cuando las cuchillas estén apagadas.
	Mire siempre hacia abajo y hacia atrás al maniobrar marcha atrás o al girar. Asegúrese de que no haya niños, transeúntes ni mascotas en la zona.
	Tenga especial precaución en las pendientes. No siegue en pendientes mayores de 15 grados. No utilice en pendientes cerca de masas de agua.
	Retire los objetos que puedan ser proyectados por la cuchilla en cualquier dirección. Lleve gafas de seguridad.
	Mantenga a los transeúntes al menos a 30 m (100 ft).
	No pise.
	Tire de la palanca de derivación de punto muerto hacia fuera para soltar el freno. Nunca desbloquee la palanca de derivación de punto muerto en una pendiente. Puede producirse una pérdida de control.
	PRECAUCIÓN — No mire directamente a la lámpara en funcionamiento.
	No se sienta en el portón trasero del cajón de almacenamiento trasero.
	La capacidad máxima de soporte de carga.

1.4 ELIMINACIÓN DE BATERÍA SEGURA PARA EL MEDIO AMBIENTE



Los materiales tóxicos y corrosivos que figuran a continuación se encuentran en las baterías utilizadas en este producto: **Ion de litio, un material tóxico.**

▲ AVISO

Deseche todos los materiales tóxicos de una manera especificada para evitar la contaminación del medio ambiente. Antes de desechar una batería de iones de litio dañada o agotada, contacte con la agencia local de eliminación de residuos o con la agencia de protección medioambiental local para obtener información e instrucciones específicas. Lleve las baterías a un centro de reciclaje o eliminación local certificado para la eliminación de los iones de litio.

▲ AVISO

Si la batería se agrieta o se rompe, con o sin fugas, no la recargue ni la utilice. Deséchela y sustitúyala por una batería nueva. **¡NO INTENTE REPARARLA!** Para evitar lesiones y riesgos de incendio, explosión o descarga eléctrica, y para evitar daños al medio ambiente:

- Cubra los terminales de la batería con cinta adhesiva resistente.
- NO intente retirar o destruir ninguno de los componentes de la batería.
- NO intente abrir la batería.
- Si se produce una fuga, los electrolitos liberados son corrosivos y tóxicos. NO deje que la solución entre en contacto con los ojos o la piel, y no la ingiera.
- NO deseche estas baterías con la basura doméstica normal.
- NO incínera.
- NO lleve las baterías a lugares donde formarán parte de vertederos de residuos o flujos de residuos sólidos urbanos.
- Lívelas a un centro de reciclaje o eliminación certificado.

1.5 PROPUESTA 65 DE CALIFORNIA

▲ AVISO

ESTE PRODUCTO CONTIENE O EMITE UNA SUSTANCIA QUÍMICA CONOCIDA EN EL ESTADO DE CALIFORNIA COMO CAUSANTE DE CÁNCER O DEFECTOS DE NACIMIENTO U OTROS DAÑOS REPRODUCTIVOS.

ES

2 SEGURIDAD

2.1 DEFINICIONES DE SEGURIDAD

Las advertencias, precauciones y notas se utilizan para señalar partes especialmente importantes del manual.

▲ AVISO

EXISTE UN RIESGO DE LESIONES O MUERTE PARA EL OPERARIO O PARA OTRAS PERSONAS SI NO SE RESPETAN LAS INSTRUCCIONES DEL MANUAL.

▲ PRECAUCIÓN

EXISTE UN RIESGO DE DAÑOS AL PRODUCTO, OTROS DAÑOS MATERIALES O EN LA ZONA ADYACENTE SI NO SE RESPETAN LAS INSTRUCCIONES DEL MANUAL.

Nota: Se utiliza para ofrecer más información de la necesaria en una situación determinada.

2.2 ADVERTENCIAS DE SEGURIDAD GENERALES

▲ AVISO

Lea todas las advertencias de seguridad, instrucciones, ilustraciones y especificaciones que se proporcionan con este producto. El incumplimiento de las instrucciones indicadas a continuación puede provocar descargas eléctricas, incendios o lesiones graves.

Guarde todas las advertencias e instrucciones para su consulta posterior.

El término "producto" empleado en las advertencias se refiere a su producto con funcionamiento de red (con cable) o producto con funcionamiento a BATERÍA (inalámbrico).

2.2.1 SEGURIDAD DE LA ZONA DE TRABAJO

- **Mantenga limpia y bien iluminada la zona de trabajo.** Las zonas desordenadas u oscuras fomentan los accidentes.
- **No utilice el producto en atmósferas explosivas,** como en la presencia de líquidos, gases o

polvo que puedan inflamarse. *El producto genera chispas que pueden inflamar el polvo o los gases.*

- **Mantenga alejados a los niños y los transeúntes mientras utilice el producto.** *Las distracciones pueden hacer que pierda el control.*

2.2.2 SEGURIDAD ELÉCTRICA

- **Los enchufes del producto deben corresponder con la toma de corriente. Nunca modifique el enchufe en modo alguno. No utilice enchufes adaptadores con productos que tengan toma de tierra.** *La utilización de enchufes no modificados y de tomas de corriente adecuadas reducirá el riesgo de descarga eléctrica.*
- **Evite el contacto del cuerpo con superficies conectadas a tierra, como tuberías, radiadores, estufas y refrigeradores.** *Existe un riesgo aumentado de descarga eléctrica si su cuerpo está conectado a tierra.*
- **No exponga el producto a la lluvia ni a condiciones de humedad.** *Si penetra agua en un producto, aumentará el riesgo de descarga eléctrica.*
- **No abuse del cable. Nunca utilice el cable para transportar, tirar o desenchufar el producto. Mantenga el cable alejado del calor, el aceite, los bordes afilados o las piezas móviles.** *Los cables dañados o enredados aumentan el riesgo de descarga eléctrica.*
- **Cuando utilice el producto en exteriores, utilice un cable alargador adecuado para uso en exterior.** *La utilización de un cable adecuado para uso en exterior reduce el riesgo de descarga eléctrica.*
- **Si es inevitable el uso de un producto en un lugar húmedo, utilice un suministro protegido mediante un dispositivo de corriente residual (RCD).** *La utilización de un RCD reduce el riesgo de descarga eléctrica.*
- **No limpie el producto con agua de una manguera o un limpiador a presión.** *Si penetra agua en un producto, aumentará el riesgo de descarga eléctrica.*
- **No utilice el producto bajo la lluvia.** *Si penetra agua en un producto, aumentará el riesgo de descarga eléctrica.*

2.2.3 SEGURIDAD PERSONAL

- **Manténgase alerta, observe lo que está haciendo y emplee el sentido común cuando utilice el producto. No utilice el producto mientras esté cansado o bajo la influencia de drogas, alcohol o medicamentos.** *Un momento de inatención durante el uso del producto puede provocar lesiones personales graves.*
- **Utilice equipos de protección personal. Lleve siempre protección ocular.** *Si se utilizan equipos de protección como máscaras antipolvo, zapatos*

de seguridad antideslizantes, cascos o protecciones auditivas en las condiciones adecuadas, se reducirán las lesiones personales.

- **Evite el arranque accidental. Asegúrese de que el interruptor esté en la posición de apagado antes de conectar a la fuente de alimentación o a la batería, al coger o al transportar el producto.** *El transporte de herramientas eléctricas con el dedo en el interruptor o la conexión de herramientas eléctricas que tienen el interruptor activado fomenta los accidentes.*
- **Retire cualquier llave de ajuste antes de encender el producto.** *Una llave que se quede fijada a una pieza giratoria del producto puede provocar lesiones personales.*
- **No se estire. Mantenga en todo momento una postura adecuada y el equilibrio.** *Esto permite un mejor control del producto en situaciones inesperadas.*
- **Lleve indumentaria adecuada. No lleve ropa o joyas sueltas. Mantenga el cabello y la ropa lejos de las piezas móviles.** *La ropa suelta, las joyas o el cabello largo pueden quedar atrapados en las piezas móviles.*
- **Si se utilizan dispositivos para la conexión de sistemas de extracción y recogida de polvo, asegúrese de que estén conectados y se utilicen correctamente.** *La utilización de sistemas de recogida de polvo puede reducir los riesgos relacionados con el polvo.*
- **No permita que la familiaridad adquirida con el uso frecuente de las herramientas le permita ser confiado e ignorar los principios de seguridad de las herramientas.** *Una acción descuidada puede provocar lesiones graves en una fracción de segundo.*

2.2.4 USO Y CUIDADO DEL PRODUCTO

- **No fuerce el producto. Utilice el producto correcto para su aplicación.** *El producto correcto hará el trabajo mejor y con mayor seguridad a la velocidad para la que se diseñó.*
- **No utilice el producto si el interruptor de encendido no lo enciende y apaga.** *Cualquier producto que no pueda controlarse con el interruptor es peligroso y debe repararse.*
- **Desconecte el enchufe de la fuente de alimentación o retire la BATERÍA, si es extraíble, del producto antes de realizar ajustes, cambiar accesorios o almacenar el producto.** *Estas medidas de seguridad preventivas reducen el riesgo de que el producto se ponga en marcha accidentalmente.*
- **Almacene el producto inactivo fuera del alcance de los niños y no permita que personas que no estén familiarizadas con el producto o estas instrucciones puedan utilizarlo.** *El producto es peligroso en las manos de usuarios inexpertos.*

- **Realice el mantenimiento del producto y los accesorios.** Compruebe si hay desalineación o atasco de las piezas móviles, rotura de piezas y cualquier otra condición que pueda afectar al funcionamiento del producto. Si ha sufrido daños, lleve a reparar el producto antes del uso. *Numerosos accidentes se deben a productos mal mantenidos.*
- **Mantenga limpias y afiladas las herramientas de corte.** *Las herramientas de corte mantenidas correctamente con filos cortantes tienen menos probabilidades de atascarse y son más fáciles de controlar.*
- **Utilice el producto, los accesorios, las brocas, etc., de acuerdo con estas instrucciones, teniendo en cuenta las condiciones de trabajo y el trabajo a realizar.** *El uso del producto para operaciones distintas de las previstas podría dar lugar a una situación peligrosa.*
- **Mantenga las asas y las superficies de agarre secas, limpias y sin restos de aceite y grasa.** *Las asas y las superficies de agarre resbaladizas no permiten un manejo y control seguros del producto en situaciones inesperadas.*
- **Retire la llave o desactive el producto cuando lo deje desatendido.** *El producto es peligroso para los usuarios inexpertos.*

2.2.5 UTILIZACIÓN Y CUIDADO DE HERRAMIENTAS A BATERÍA

- **Recargue solo con el cargador especificado por el fabricante.** *Un cargador adecuado para un tipo de batería crea a un riesgo de incendio cuando se utiliza con otro tipo de batería.*
- **Utilice el producto únicamente con las baterías designadas específicamente.** *El uso de cualquier otra batería puede dar lugar a un riesgo de lesiones e incendio.*
- **Cuando la batería no esté en uso, manténgala alejada de otros objetos metálicos como clips, monedas, llaves, clavos, tornillos u otros objetos metálicos pequeños que puedan hacer una conexión entre los terminales.** *El cortocircuito de los terminales de la batería puede provocar quemaduras o incendios.*
- **Bajo condiciones abusivas, es posible que salga líquido de la batería; evite el contacto.** En caso de un contacto accidental, lavar con abundante agua. Si el líquido entra en contacto con los ojos, acuda también al médico. *El líquido de la batería puede provocar irritación o quemaduras.*
- **No utilice una batería o un producto que haya sufrido daños o modificaciones.** *Las baterías dañadas o modificadas pueden exhibir un comportamiento impredecible que puede causar un incendio, una explosión o un riesgo de lesiones.*
- **No exponga la batería ni el producto al fuego ni a temperaturas excesivas.** *La exposición al fuego*

o a una temperatura superior a 265 °F (130 °C) puede provocar una explosión.

- **Siga todas las instrucciones de carga y no cargue la batería ni el producto fuera del intervalo de temperatura especificado en las instrucciones.** *La carga incorrecta o a temperaturas fuera del intervalo especificado puede dañar la batería y aumentar el riesgo de incendio.*

2.2.6 SERVICIO

- **Solicite a un técnico de reparación cualificado que realice las tareas de servicio del producto utilizando únicamente piezas de repuesto idénticas.** *Esto garantizará el mantenimiento de la seguridad del producto.*
- **Nunca repare las baterías dañadas.** *La reparación de las baterías únicamente debe ser realizada por el fabricante o los proveedores de servicio técnico autorizados.*

2.3 ADVERTENCIAS DE SEGURIDAD PARA CORTACÉSPEDS CON CONDUCTOR SENTADO

- **No utilice el cortacésped con mal tiempo, especialmente cuando exista un riesgo de rayos.** *Esto disminuye el riesgo de ser alcanzado por un rayo.*
- **Inspeccione detenidamente si hay animales salvajes en la zona donde va a utilizarse el cortacésped.** *Los animales pueden sufrir lesiones debidas al cortacésped durante el funcionamiento.*
- **Inspeccione exhaustivamente la superficie donde va a utilizarse el cortacésped y quite todas las piedras, ramas, cables, huesos y otros objetos extraños.** *Los objetos proyectados pueden producir lesiones personales.*
- **Antes del uso del cortacésped, realice siempre una inspección visual para comprobar que la cuchilla y el conjunto de la cuchilla no estén desgastados o dañados.** *Las piezas desgastadas o dañadas aumentan el riesgo de lesiones.*
- **Mantenga las protecciones en su posición.** *Las protecciones deben estar en condiciones de funcionamiento y estar correctamente montadas. Una protección que esté suelta, dañada o que no funcione correctamente puede provocar lesiones personales.*
- **Mantenga libres de residuos todas las entradas de aire de refrigeración.** *Las entradas de aire obstruidas y los residuos pueden provocar un sobrecalentamiento o riesgo de incendio.*
- **Durante el funcionamiento del cortacésped, lleve siempre calzado antideslizante y de protección.** *No utilice el cortacésped si está descalzo o lleva sandalias abiertas. Esto reduce la posibilidad de sufrir lesiones en los pies debido al contacto con la cuchilla en movimiento.*

- Lleve siempre pantalones largos cuando utilice el cortacésped. *La piel expuesta aumenta la probabilidad de lesiones por objetos arrojados.*
- No utilice el cortacésped en pendientes superiores a 15 grados. *Así se reduce el riesgo de pérdida de control, resbalones y caídas que pueden provocar lesiones personales.*
- Cuando trabaje en pendientes, asegúrese siempre de tener un buen equilibrio. *Así se reduce el riesgo de pérdida de control, resbalones y caídas que pueden provocar lesiones personales.*
- No siegue transversalmente cuando utilice el cortacésped en terrenos desnivelados o inclinados. En las pendientes, siegue siempre en dirección ascendente y descendente. *Así se reduce el riesgo de pérdida de control, resbalones y caídas que pueden provocar lesiones personales.*
- No toque las cuchillas ni otras piezas móviles peligrosas mientras aún estén en movimiento. *Esto reduce el riesgo de lesiones por las piezas móviles.*
- Asegúrese de que todos los interruptores de alimentación estén apagados y retire (o active) el dispositivo de desactivación antes de quitar el material atascado o limpiar el cortacésped. *El funcionamiento inesperado del cortacésped puede provocar lesiones personales graves.*
- Extreme las precauciones al dar marcha atrás o tirar del cortacésped hacia usted. Sea siempre consciente de lo que le rodea.
- El usuario y el técnico **DEBEN** revisar detenidamente **TODOS** los procedimientos manuales de reparación relativos a la seguridad, la formación y las precauciones aplicables del fabricante del equipo original (OEM) antes del uso, el mantenimiento y el servicio.

Nota: el usuario y el técnico deben consultar con un profesional sanitario si tienen o llevan:

- Un desfibrilador implantado.
- Un marcapasos cardíaco.
- Una bomba interna de medicación analgésica.
- Una bomba de insulina.
- Audífonos.
- Otros dispositivos médicos.

2.4 PRÁCTICAS SEGURAS PARA LOS CORTACÉSPEDES CON CONDUCTOR SENTADO

▲ AVISO

Este cortacésped es capaz de amputar manos y pies y de proyectar objetos a alta velocidad. Si no se leen y siguen las advertencias e instrucciones de seguridad de este manual, podrían producirse lesiones personales graves o la muerte del operario o de cualquier transeúnte.

2.4.1 SEGURIDAD GENERAL

- No utilice el cortacésped con conductor sentado y funcionamiento a batería bajo la lluvia.
- Permita que únicamente adultos responsables y capaces, que estén familiarizados con las instrucciones, manejen este producto.
- El funcionamiento seguro requiere toda su atención y capacidades.
- Mire siempre hacia dónde va y esté atento a su entorno.
- Escuche cómo suena el producto y esté alerta a cualquier cambio.
- Sienta el producto y sus respuestas tanto con relación a sus acciones como al entorno.
- Permanezca centrado en su tarea.
- Lleve siempre una protección ocular adecuada que cumpla las normas de seguridad más recientes a fin de reducir el riesgo de lesiones oculares durante el funcionamiento o la realización de cualquier ajuste o reparación. Consulte la ANSI Z87.1.
- No utilice el producto a menos que la protección de descarga u otros dispositivos de seguridad estén en su posición y en funcionamiento.
- Lleve siempre una máscara facial o antipolvo cuando utilice el cortacésped en un entorno polvoriento.
- Lleve siempre indumentaria adecuada. Se recomienda el uso de guantes protectores y calzado de seguridad.
- Nunca maneje el producto mientras utiliza un teléfono móvil o cualquier otro dispositivo electrónico. El manejo mientras se está distraído puede aumentar el riesgo de lesiones personales graves para el operario y los transeúntes.
- No maneje el equipo si lleva sandalias, calzado de tenis, deportivas, pantalones cortos o cualquier tipo de ropa holgada. Lleve calzado de seguridad, casco, pantalones largos, gafas protectoras y protección auditiva durante el funcionamiento para reducir el riesgo de lesiones personales. Evite la ropa holgada, las joyas y cualquier otra prenda que pueda engancharse en las piezas en movimiento. Sujete el cabello por encima del nivel de los hombros antes de empezar a trabajar.
- Nunca transporte pasajeros y mantenga alejados a los transeúntes.
- Siga las recomendaciones del fabricante para los pesos o contrapesos de las ruedas.

2.4.2 PREPARATIVOS ANTES DEL FUNCIONAMIENTO

- Despeje la zona de trabajo de cualquier objeto que podría salir proyectado a causa del producto o interferir en su funcionamiento.
- Mantenga la zona de funcionamiento libre de transeúntes, especialmente niños pequeños y

mascotas. Detenga el producto y los accesorios si alguien entra en la zona.

- No haga funcionar el producto sin que todo el recogehierba, el conducto de descarga u otros dispositivos de seguridad estén colocados y funcionen correctamente. Compruebe con frecuencia si hay signos de desgaste o deterioro y sustituya según sea necesario.
- Lleve equipos adecuados de protección personal, como gafas de seguridad, protección auditiva y calzado.
- No transporte pasajeros en ninguna parte del producto. Mantenga a los animales domésticos y a los transeúntes fuera de la zona de corte durante el funcionamiento.

2.4.3 FUNCIONAMIENTO

- Conduzca siempre con ambas manos. No conduzca con una sola mano.
- Utilice el producto únicamente con luz diurna o con una buena iluminación artificial.
- Evite agujeros, surcos, baches, piedras u otros riesgos ocultos. Los terrenos irregulares pueden hacer que el producto vuelque o que el operario pierda el equilibrio.
- No coloque las manos ni los pies cerca de las piezas giratorias ni debajo del producto. Manténgase alejado en todo momento de la abertura de descarga.
- No dirija el material de descarga hacia nadie. Evite descargar el material contra una pared u obstáculo. El material puede rebotar hacia el operario. Pare las cuchillas al cruzar sobre superficies de gravilla.
- Nunca deje desatendido el producto cuando esté en marcha. Tome las precauciones adecuadas al detener el producto o abandonar el puesto del operario. Deténgase siempre sobre un suelo a nivel. Desacople el interruptor PTO, aplique el freno de estacionamiento, desconecte la alimentación y retire la llave antes de levantarse del puesto del operario.
- No siegue marcha atrás a menos que sea absolutamente necesario. Mire siempre hacia abajo, hacia atrás y hacia los lados antes de cambiar de dirección y al retroceder.

2.4.4 CON RELACIÓN A LOS NIÑOS

- Pueden producirse accidentes trágicos si el operario no está alerta a la presencia de niños. Los niños con frecuencia se sienten atraídos por el producto y la actividad de cortar el césped. Nunca asuma que los niños permanecerán en el último sitio en que les vio.
- Mantenga a los niños fuera de la zona de funcionamiento y bajo la vigilancia de un adulto responsable que no sea el operario.
- No transporte niños, ni siquiera con las cuchillas desactivadas. Los niños podrían caerse y resultar gravemente heridos o interferir con el

funcionamiento seguro. Si un niño ha montado en el cortacésped en alguna ocasión anterior, este podría aparecer de repente en la zona de corte para subir otra vez y podría ser atropellado o golpeado por el producto.

2.4.5 USO DE UNA RAMPA

- Al cargar o descargar el producto de un remolque, utilice siempre rampas de anchura completa que sobrepasen la anchura del producto.
- Esto proporciona una superficie de contacto para el bastidor del cortacésped si la unidad empieza a inclinarse hacia atrás. También reduce el riesgo de que una rueda se salga y el producto vuelque.
- No supere un ángulo de 15 grados entre la rampa y el suelo o entre la rampa y el remolque o el camión.
- Familiarícese con los controles del cortacésped y adquiera un uso fluido de los mismos antes de intentar subir o bajar una rampa.
- Utilice el modo de conducción lenta y conduzca con cuidado.
- Evite cualquier movimiento brusco de los controles y utilice solo una aceleración lenta y uniforme.

2.4.6 REMOLCADO

- Remolque únicamente con una máquina que tenga un enganche diseñado para remolcar. No fije el equipo a remolcar excepto en el punto de enganche.
- Siga las recomendaciones del fabricante sobre los límites de peso para equipos remolcados y el remolcado en pendientes. Véase la sección **Enganche de remolque trasero**. (Referencia 7,1,3)
- Nunca permita que niños u otras personas entren o se suban en el equipo remolcado.
- En las pendientes, el peso del equipo remolcado puede provocar la pérdida de tracción y control.
- Desplácese lentamente y deje una distancia adicional para detenerse.

2.4.7 SERVICIO

- Mantenga el producto en buen estado de funcionamiento. Sustituya las piezas desgastadas o dañadas.
- Tenga precaución al realizar tareas de servicio en las cuchillas. Envuelva las cuchillas o lleve guantes. Sustituya las cuchillas que hayan sufrido daños. No repare ni modifique las cuchillas.
- No cargue el cortacésped con conductor sentado bajo la lluvia o en lugares húmedos.
- Almacene los cortacéspedes con conductor sentado inactivos en el interior - Cuando no esté en uso, el cortacésped con conductor sentado debe almacenarse en un lugar interior, seco y cerrado - fuera del alcance de los niños.

- Apague y retire la llave de arranque antes de realizar tareas de mantenimiento, limpieza o retirada de material del cortacésped con conductor sentado.

ES Guarde todas las advertencias e instrucciones para su consulta posterior.

2.4.8 FUNCIONAMIENTO EN PENDIENTES



Las pendientes son un factor importante relacionado con los accidentes. Durante el funcionamiento en pendientes, es necesario tomar precauciones adicionales. Para reducir el riesgo de lesiones, nunca utilice el producto en condiciones en las que las ruedas patinen o se deslicen, o en las que la tracción de las ruedas o la estabilidad y el control del cortacésped sean dudosos. El producto puede resbalar, aunque las ruedas estén paradas. Estas condiciones aumentan el riesgo de vuelco.

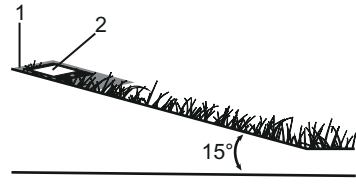
- Nunca utilice el cortacésped en una pendiente de más de 15 grados, es decir, una pendiente que tenga un desnivel de 1,6 m (5,4 pies) en cualquier segmento de 6 m (20 pies). Consulte **Guía de identificación de pendientes** (Referencia 2,4,9) en este Manual del operario.
- Reduzca la velocidad y extreme las precauciones al segar en pendientes. Si no puede retroceder por la pendiente o si se siente incómodo ella, no conduzca en la pendiente.
- Evite girar el producto hacia abajo en pendientes. Gire hacia arriba en pendientes.
- Cuando descienda una pendiente, lleve siempre el producto con una marcha puesta. No descienda en punto muerto.
- Evite arrancar y parar en una pendiente. Evite realizar cambios bruscos de velocidad o dirección. Realice los giros lenta y gradualmente.
- Evite cortar césped resbaladizo, húmedo o blando. El funcionamiento en pendientes mojadas o blandas puede provocar la pérdida de control, lo que puede dar lugar a una caída.
- Tenga especial cuidado cuando utilice el producto con un recogehierba u otros accesorios. Estos pueden afectar a la estabilidad del producto.

2.4.9 GUÍA DE IDENTIFICACIÓN DE PENDIENTES

▲ AVISO

Para reducir el riesgo de lesiones personales graves o la muerte, no trabaje nunca en pendientes superiores a 15 grados. Compruebe siempre el grado de inclinación de la superficie del césped antes de intentar segar en esa zona.

- Descargue en su dispositivo móvil una aplicación de inclinómetro que mida pendientes.
- Coloque una pieza plana de madera o metal, de 1,2-1,8 m (4-6 pies) de longitud, sobre la superficie de la pendiente.
- Abra la aplicación y coloque el teléfono (2) sobre la pieza plana de metal o madera (1) para determinar la pendiente exacta del césped. No siga si la pendiente supera los 15 grados.



2.4.10 SISTEMA DE PROTECCIÓN ANTIVUELCO (ROPS)

El sistema de protección antivuelco (ROPS) es un dispositivo de seguridad importante y eficaz. No desmonte, repare ni modifique el ROPS. Sustituya cualquier componente dañado del ROPS.

▲ AVISO

Mantenga la barra antivuelco en la posición elevada y bloqueada y abróchese el cinturón de seguridad alrededor de la cintura cuando maneje el producto. No hay protección antivuelco cuando la barra antivuelco está bajada. Con la barra antivuelco elevada y el cinturón de seguridad abrochado, no salte del cortacésped si este vuelca. Es más seguro estar sujeto por el cinturón de seguridad con la barra antivuelco elevada.

La barra antivuelco se ha diseñado para abatirse y permitir al operario pasar por debajo de obstáculos elevados y meter el cortacésped en remolques. Baje la barra antivuelco solo cuando sea absolutamente necesario. Nunca utilice el cinturón de seguridad cuando la barra antivuelco esté bajada. Eleve la barra antivuelco en cuanto el espacio superior lo permita. Nunca retire la barra antivuelco.

▲ AVISO

Para evitar lesiones graves o la muerte por vuelco, siga las advertencias que se indican a continuación.

- Abroche siempre el cinturón de seguridad cuando la barra antivuelco esté en la posición elevada.
- Nunca utilice el cinturón de seguridad cuando la barra antivuelco esté bajada.
- Mantenga la barra antivuelco elevada y bloqueada a menos que sea absolutamente necesario para pasar por debajo de un obstáculo. No hay protección antivuelco cuando la barra antivuelco está bajada.
- Los obstáculos elevados pueden ser peligrosos. Antes de pasar por debajo de ramas de árboles y otros obstáculos, asegúrese siempre de que haya suficiente espacio libre. Si es absolutamente necesario, baje la barra antivuelco para pasar por debajo del objeto. Vuelva a colocar la barra antivuelco en la posición elevada y bloqueada inmediatamente después de superar el obstáculo.
- Nunca modifique, altere o retire la barra antivuelco.
- La barra antivuelco tiene un límite de peso máximo. Nunca supere el nivel de peso marcado en la barra antivuelco.
- Lea y siga las instrucciones sobre la inspección y el mantenimiento de la estructura ROPS.

Inspección de la barra antivuelco

▲ AVISO

La falta de inspección y mantenimiento adecuados de la barra antivuelco puede provocar lesiones graves o la muerte.

Inspeccione la barra antivuelco para asegurarse de que no se haya visto dañada, debilitada o afectada de otro modo durante el uso. Inspeccione si hay indicios de uso indebido, desgaste, modificación o daños. Contacte con su distribuidor de servicio técnico autorizado si tiene alguna pregunta sobre el estado de la barra antivuelco.

- No intente reparar una barra antivuelco. Debe ser inspeccionada y sustituida por el fabricante después de un choque, vuelco u otro impacto elevado para garantizar que no haya daños microestructurales, lo que podría reducir su eficacia. Evite soldar, enderezar segmentos o intentar reparar la barra antivuelco. Asimismo, absténgase de taladrar o soldar nada en ella, ya que esto comprometería su integridad estructural.
- Antes de utilizar el cortacésped por primera vez:
 1. Asegúrese de que el peso bruto del cortacésped, incluidos los accesorios, la carga útil y el operario, sea inferior al peso máximo indicado en la etiqueta de la barra antivuelco.
 2. Compruebe que no haya elementos de fijación ausentes, dañados o sueltos. Asegúrese de que

todos los de los componentes estén bien fijados en su posición.

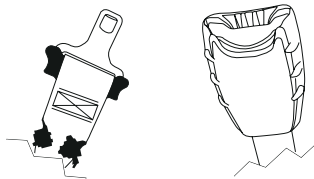
3. Compruebe la correcta instalación de los componentes de la barra antivuelco. Si tiene preguntas, consulte con un distribuidor de servicio técnico autorizado.
 - **Antes de cada uso o a diario** — Inspeccione la barra antivuelco y los elementos de montaje en busca de:
 1. Deformación o torsión de la barra antivuelco.
 2. Elementos de fijación ausentes o dañados, incluidos los que no se pueden volver a apretar.
 3. Grietas en los tubos metálicos o en las soldaduras.
 4. Corrosión en la barra antivuelco o en los elementos de fijación de la estructura ROPS.
 5. Soldaduras, orificios o elementos de fijación no autorizados.
 6. Asimismo, confirme que la etiqueta de la barra antivuelco y la información de advertencia de la estructura ROPS sigan en su sitio y sean legibles.

Inspección del cinturón de seguridad

▲ AVISO

El cinturón de seguridad es otro componente del sistema de protección antivuelco. Inspeccione el cinturón de seguridad periódicamente para garantizar que puede realizar la función de seguridad prevista.

- Antes de cada uso, compruebe si hay desgaste o daños debidos a la degradación normal, uso indebido, modificación o abuso.
 1. Compruebe si hay desgarros, cortes u otro desgaste en el tejido del cinturón de seguridad.
 2. Compruebe si hay suciedad o residuos en el cinturón de seguridad. Elimine la suciedad. Confirme el correcto funcionamiento mecánico probando la extensión y retracción del cinturón y el mecanismo que fija la hebilla y el cierre. Si el polímero o las piezas metálicas están dañados o agrietados, o si el cierre y la liberación de la hebilla resultan difíciles, o si el cinturón de seguridad presenta cualquier otro problema mecánico, solicite la sustitución del cinturón de seguridad a un distribuidor de servicio técnico autorizado.



2.4.11 DESNIVELES Y AGUA

▲ AVISO

Los desniveles alrededor de escalones y agua son un peligro común. Nunca utilice el cortacésped en pendientes que desciendan hacia agua, muros de contención u otros desniveles. Extremar las precauciones cuando utilice el cortacésped en las proximidades de tales riesgos.

▲ AVISO

Para reducir el riesgo de caerse al agua, por escalones o por el borde de un desnivel, deje siempre dos veces la anchura del cortacésped de espacio libre entre el cortacésped y el riesgo. Si no se mantiene una distancia suficiente, pueden producirse lesiones graves, la muerte o el ahogamiento.

2.4.12 SISTEMA DE INTERBLOQUEO DE ARRANQUE DE SEGURIDAD

Este cortacésped dispone de un sistema de interbloqueo de arranque de seguridad compuesto por el freno de estacionamiento, el interruptor de control de presencia del operario, el interruptor PTO y la llave de arranque para proteger al operario y a otras personas de lesiones accidentales debidas a una activación involuntaria de la conducción.

Compruebe el sistema de interbloqueo de arranque de seguridad diariamente antes del funcionamiento. Este sistema es una característica de seguridad importante del cortacésped. Debe repararse

inmediatamente en caso de fallo. El cortacésped incorpora un interruptor de control de presencia del operario independiente que detendrá el sistema de transmisión y los motores de las cuchillas cuando el operario se levante por cualquier motivo mientras el cortacésped está en funcionamiento. Esta es una característica de seguridad diseñada para evitar el descontrol o un enredo accidental.

▲ AVISO

El sistema de interbloqueo de seguridad no debe desconectarse ni derivarse. De hacerlo, el producto podría funcionar de forma inesperada y provocar lesiones personales.

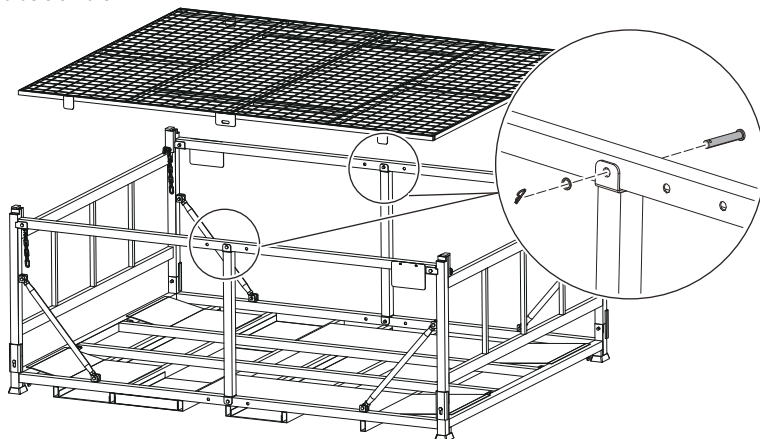
Para inspeccionar el sistema:

1. El operario debe estar en el asiento al probar el interruptor de control de presencia del operario.
2. Inserte la llave de arranque y gírela a la posición de encendido.
3. Asegúrese de que las palancas de control de dirección giren hacia fuera para aplicar el freno de estacionamiento.
4. Tire del interruptor PTO para acoplar el motor de las cuchillas.
5. Levántese lentamente del asiento. Las cuchillas del cortacésped deben detenerse en 3 segundos.
6. Si las cuchillas del cortacésped no se detienen cuando el operario no está en su posición, contacte inmediatamente con el distribuidor de servicio técnico autorizado. No utilice el cortacésped hasta que se haya reparado el sistema de interbloqueo de arranque de seguridad.

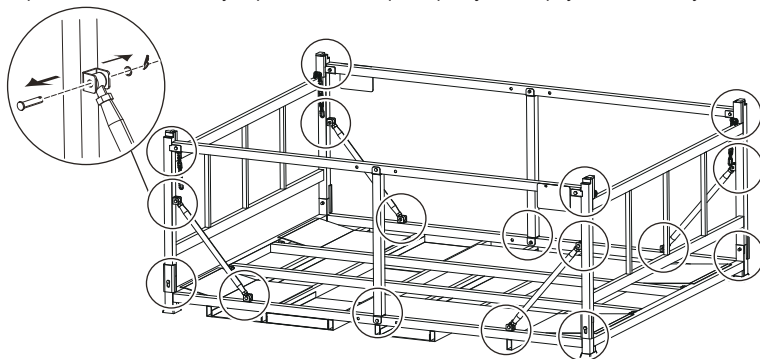
3 DESEMBALAJE DEL PRODUCTO

El cortacésped se envía en un cajón. Este es el procedimiento para desmontarlo y sacarlo.

1. Retire los dos pasadores, las arandelas y los pasadores de horquilla que fijan la red de alambre al bastidor y retire la red de alambre.



2. Retire los 18 pasadores, la arandela y el pasador de horquilla que fijan los apoyos al bastidor y retire los apoyos.



3. Suelte o corte las cuatro correas que fijan los ejes de las ruedas delanteras y traseras a la parte inferior del bastidor.
4. Retire las cajas que contienen las piezas sueltas, los elementos de montaje y la documentación.
5. Retire y aparte todo el embalaje y los envoltorios accesibles de la unidad y sus piezas. No deseche el material de embalaje hasta que haya inspeccionado exhaustivamente y utilizado el producto.
6. Inspeccione el producto con cuidado para asegurarse de que no se haya producido ninguna rotura ni daños durante el transporte.

▲ AVISO

Al montar las piezas sueltas del cortacésped, verifique que la pieza esté montada correctamente y que esté bien apretada al par correcto (donde corresponda) antes de continuar con el siguiente paso de montaje. El uso de un cortacésped que pueda haberse montado incorrectamente podría dar lugar a lesiones personales graves.

▲ AVISO

Debe leer detenidamente y entender el manual antes de sacar el cortacésped del bastidor. Si no se siguen estas instrucciones, puede perderse el control y pueden producirse daños materiales, lesiones personales graves o incluso la muerte.

4 MONTAJE

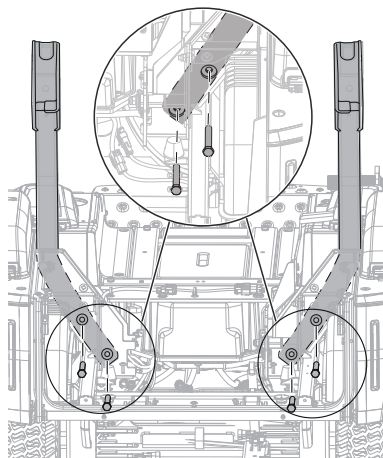
Esta sección describe cómo montar y ajustar el producto.

▲ AVISO

DEBE LEER DETENIDAMENTE Y ENTENDER EL CAPÍTULO DE SEGURIDAD Y LAS INSTRUCCIONES DE MONTAJE ANTES DE MONTAR EL PRODUCTO.

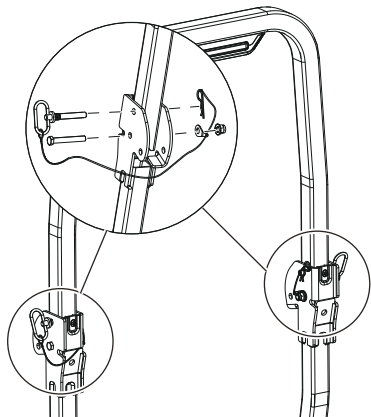
4.1 INSTALE LA BARRA ANTIVUELCO

1. Alinee los orificios de la barra antivuelco inferior con el bastidor. Utilice una llave de 18 mm para apretar los cuatro tornillos, aplicando un par de apriete comprendido entre 30 y 37 pies-libra (40 y 50 N-m).

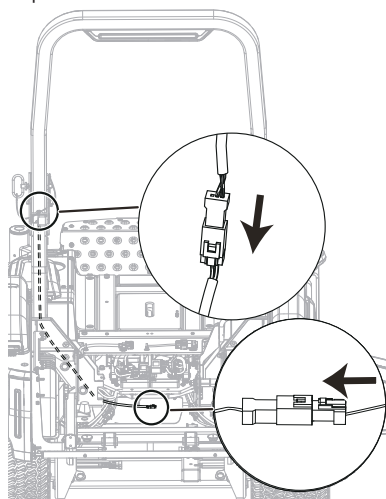


Nota: Para garantizar una alineación correcta, evite apretar completamente todos los tornillos hasta el final.

2. Alinee los orificios de la barra antivuelco superior con los de la inferior. Instale los pernos, arandelas y tuercas en el orificio inferior. Apriete con una llave de 18 mm aplicando un par de apriete dentro del rango de 15 - 22 pies-libra (20 - 30 N-m). Inserte los pasadores de horquilla y los pasadores R en el orificio superior para fijar la barra antivuelco superior en la posición elevada.



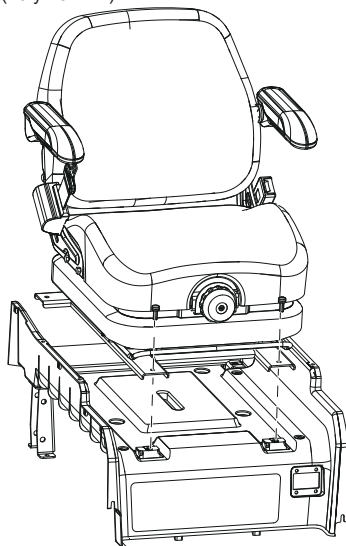
3. En las secciones central e inferior de la barra antivuelco, conecte los conectores de cables correspondientes.



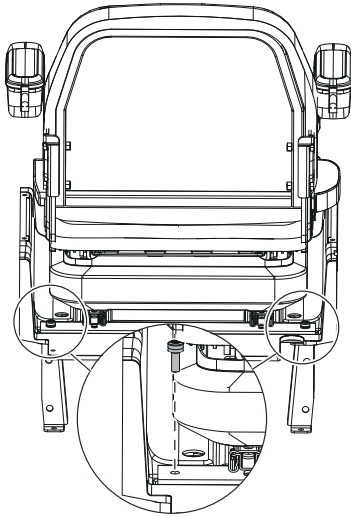
4. Asegúrese de que todas las tuercas y tornillos están apretados a los valores mencionados anteriormente.

4.2 INSTALACIÓN DEL ASIENTO

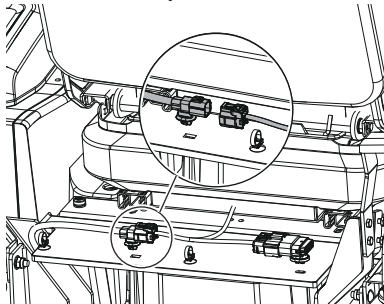
1. Coloque el conjunto del asiento sobre el panel del asiento y alinee los orificios.
2. Instale dos pernos en la parte delantera del asiento y apriételos firmemente con una llave T40 aplicando un par de apriete comprendido entre 14 y 18 pies-libra (20 y 25 N-m).



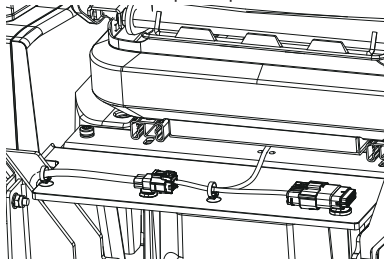
3. Tire de la palanca de ajuste del asiento para desplazarlo hacia delante y dejar al descubierto los dos orificios de montaje de la parte trasera. Instale los dos pernos y apriete firmemente.



4. Conecte el conector del cable al enchufe del asiento situado detrás del asiento. Asegúrese de que los enchufes están bien sujetos.



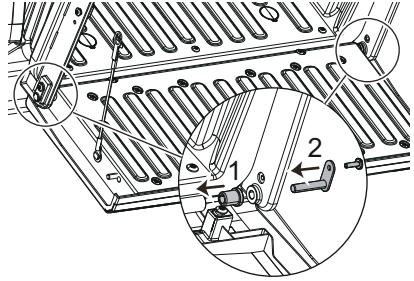
5. Fije los cables en los clips del panel.



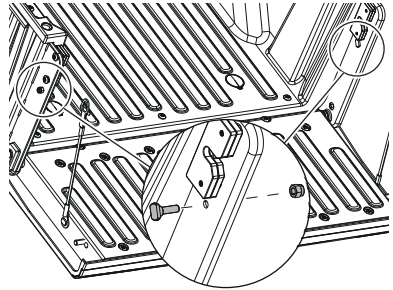
4.3 INSTALE EL PORTÓN TRASERO DEL COMPARTIMIENTO TRASERO DE ALMACENAMIENTO

1. Inserte el casquillo de nylon y el eje de rotación en el tubo del portón trasero.

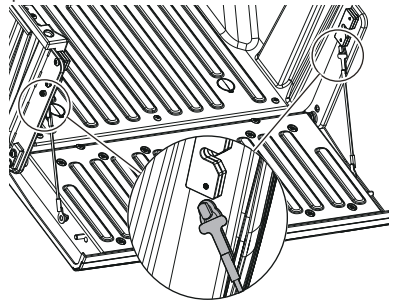
2. Instale un perno a través de cada eje de rotación y apriételo firmemente con una llave T30, aplicando un par de apriete dentro del rango de 3 - 4 pies-libra (4 - 6 N·m).



3. Instale los pernos y las tuercas para fijar la parte superior del compartimento de almacenamiento trasero. Asegúrese de que las tuercas están colocadas fuera del compartimento de almacenamiento. Utilice una llave de 10 mm aplicando un par de apriete comprendido entre 2 - 3 pies-libra (3 - 4 N·m).



4. Suspenda firmemente el cable del portón trasero en los pernos asegurándose de que los lados de la chapa metálica miran hacia fuera.



4.4 INSTALACIÓN DE LA PALANCA DE CONTROL DE DIRECCIÓN

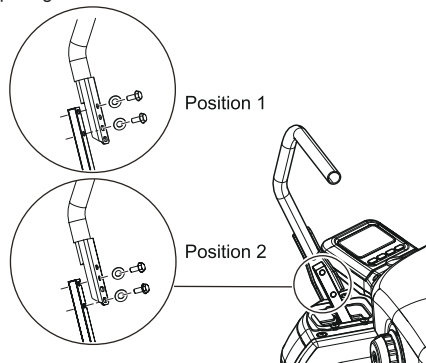
Las dos palancas controlan la velocidad, la dirección, la parada, el bloqueo en punto muerto y el freno de

estacionamiento del cortacésped y sirven para dirigir, ajustar o reducir la velocidad, parar y cambiar de dirección.

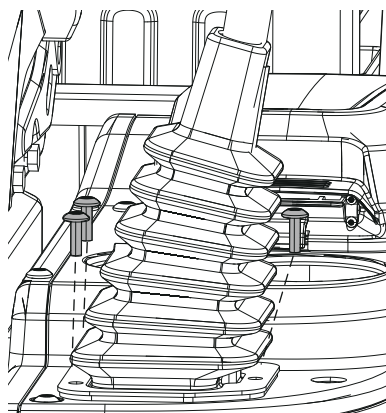
▲ AVISO

Las palancas de control de dirección izquierda y derecha deben ajustarse de manera que se alineen entre sí cuando estén en la posición de punto muerto. NUNCA instale las palancas de dirección a una altura de funcionamiento asimétrica.

1. Levante la palanca de control de dirección para alinear los orificios de la palanca con los orificios del poste de montaje.
2. Seleccione la altura de funcionamiento de la palanca de dirección de su preferencia. Inserte el tornillo junto con la arandela en el orificio. Fije el tornillo lo más cerca posible del centro del orificio para garantizar una alineación correcta.



3. Utilice una llave de 16 mm para apretar los pernos de la palanca de control de la dirección, aplicando un par de apriete comprendido entre 20 - 30 N.m (14 - 22 ft-lbs).
4. Fije la cubierta de goma de cada palanca apretando tres tornillos con la llave T30 y aplicando un par de apriete entre 5 - 8 N.m (4 - 6 ft-lbs).



5. Después de instalar ambas cubiertas de goma, asegúrese de que las palancas queden una enfrente de la otra y se alineen automáticamente después de tirar de ellas hacia atrás.

▲ PRECAUCIÓN

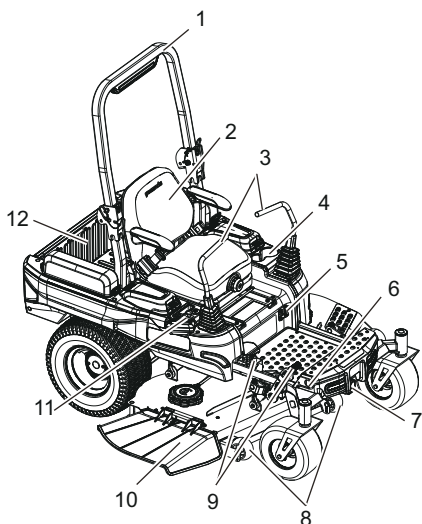
No instale las palancas de control dirección al revés.

Nota: conduzca siempre con ambas manos en las palancas de control de dirección. No conduzca con una sola mano.

5 FUNCIONES Y CONTROLES

En la sección siguiente se describe brevemente la función de los controles individuales. Para obtener información sobre el arranque, la parada, la conducción y el corte de hierba, consulte la (referencia) sección **Funcionamiento** (Referencia 7).

5.1 CONTROLES DEL PRODUCTO



- | | |
|------------------------------------|---|
| 1 Barra antivuelco | 8 Ruedas anti-calvas |
| 2 Asiento con suspensión | 9 Pedal y pasador de ajuste de altura de plataforma |
| 3 Palancas de control de dirección | 10 Conducto de descarga |
| 4 Portavasos | 11 Panel de control |
| 5 Puerto de carga | 12 Cajón de almacenamiento trasero |
| 6 Toma ETO | |
| 7 Enganche delantero | |

5.1.1 ASIENTO CON SUSPENSIÓN

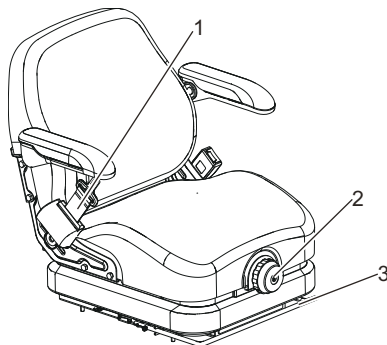
El cortacésped está equipado con un asiento con suspensión. Este asiento tiene varias opciones adicionales. Consulte la figura y la lista que siguen para ver la ubicación de las características del asiento y una breve descripción de su función.

1. Cinturón de seguridad retráctil: El cinturón de seguridad se utiliza para sujetar al operario en el asiento.

Nota: El cinturón de seguridad debe usarse siempre que la barra antivuelco esté en la posición elevada. El cinturón de seguridad nunca debe llevarse con la barra antivuelco bajada.

2. Mando de ajuste de suspensión: El mando de ajuste de la suspensión ajusta la suspensión del asiento. Gire el mando de ajuste hasta que la escala de la pantalla tenga una lectura que coincida con el peso del operario.

3. Palanca de ajuste del asiento (hacia delante/atrás): El asiento puede ajustarse hacia delante y hacia atrás. Levante la palanca de ajuste del asiento y mantenga, coloque el asiento en la posición deseada y suelte la palanca para bloquear el asiento en posición.



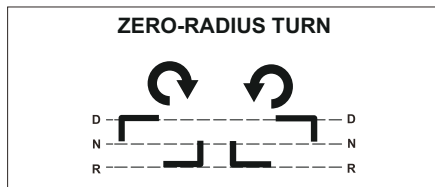
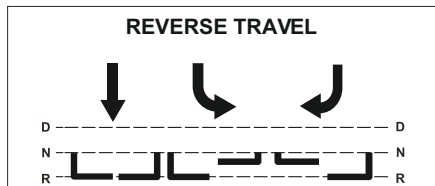
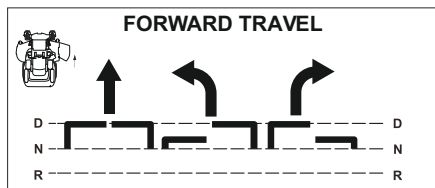
▲ AVISO

Asegúrese de que el asiento esté bloqueado antes de manejar el cortacésped. Un asiento que no es seguro puede hacer que el operario cambie de posición y pierda el control del cortacésped, lo que podría provocar lesiones personales graves o incluso la muerte.

5.1.2 PALANCAS DE CONTROL DIRECCIÓN

Las palancas de control de la dirección controlan la dirección del cortacésped.

LA PARTE DELANTERA DEL CORTACÉSPED ESTÁ ORIENTADA EN ESTA DIRECCIÓN

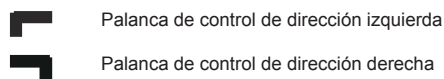


N = POSICIÓN DE PUNTO MUERTO

D = POSICIÓN DE CONDUCCIÓN

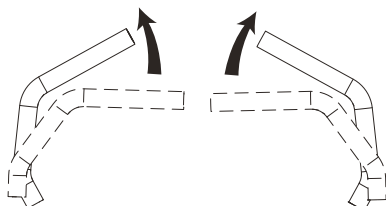
R = POSICIÓN DE MARCHA ATRÁS

El sentido de las flechas indica la dirección de movimiento del cortacésped

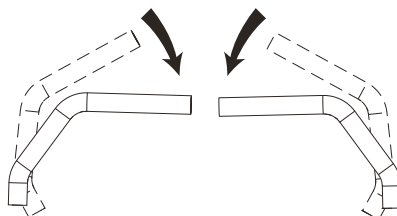


La palanca de control de dirección izquierda controla la rueda motriz trasera izquierda y la palanca de control de dirección derecha controla la rueda motriz trasera derecha.

Al inclinar ambas palancas de control de movimiento hacia fuera desde la posición de PUNTO MUERTO, se aplicará el freno de estacionamiento.



Si se inclinan las palancas de control movimiento hacia la posición de PUNTO MUERTO, se desaplica el freno de estacionamiento.

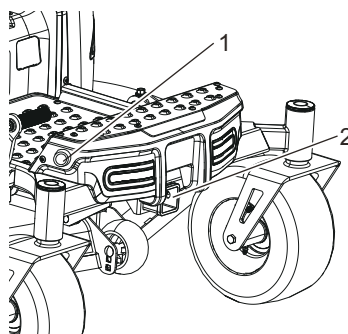


Nota: Cuanto más se aleje un palanca de control de movimiento de la posición de punto muerto, más rápido girará la rueda de tracción.

Véase la sección **Prácticas de conducción de cortacéspedes de giro cero** (Referencia 7,6) para obtener instrucciones sobre la conducción.

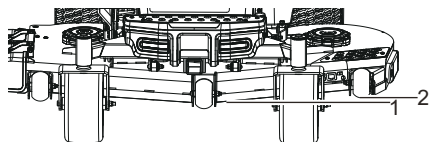
5.1.3 TOMA DE CORRIENTE ELÉCTRICA (ETO)

El cortacésped puede utilizarse con otros accesorios diseñados específicamente para esta unidad, como un soplador accesorio. Los accesorios pueden recibir alimentación del cortacésped con la toma ETO (1) de la parte delantera del cortacésped y montarse en el enganche delantero (2) si el accesorio tiene el puerto correspondiente.



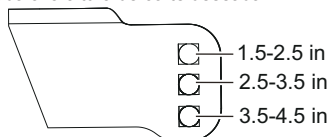
5.1.4 RUEDAS ANTI-CALVAS

Estas ruedas anti-calvas se han diseñado para minimizar las calvas al segar en terrenos difíciles e irregulares. Tras ajustar la altura de corte, ajuste las ruedas anti-calvas (2) para que se extiendan por debajo de la plataforma, pero no toquen el suelo. Siempre deben estar al menos entre 0,6 cm y 1,9 cm (1/4" y 3/4") por debajo de la plataforma (1). Con el cortacésped asentado sobre una superficie plana a nivel, la posición de la rueda puede ajustarse hacia arriba o abajo según sea necesario desde 1,9 cm a 0,6 cm (3/4" a 1/4") desde las ruedas anti-calvas (2) hasta el suelo.



Mueva las ruedas hacia arriba o abajo, utilizando los diferentes orificios de montaje del eje en el soporte de montaje de la rueda (si corresponde en el modelo).

1. Tras ajustar la altura de corte, ajuste las ruedas anti-calvas retirando la contratuerca bridada y el perno hexagonal que fija las ruedas.
2. Seleccione un orificio de forma que la rueda quede colocada a la altura de corte deseada.



Nota: Para una altura de corte superior a 114 mm (4,5 pulg.), utilice el orificio inferior. Las ruedas anti-calvas serán eficaces para evitar calvas en el césped.

3. Instale la contratuerca bridada y la tuerca hexagonal.
4. Repita el ajuste en las otras ruedas anti-calvas.

5.1.5 PASADOR DE AJUSTE DE LA ALTURA DEL PEDAL Y LA PLATAFORMA

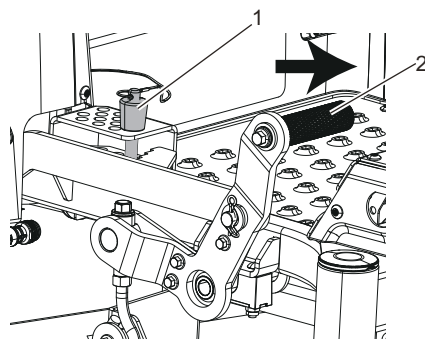
Antes de utilizar el cortacésped, eleve la altura de la cubierta a la posición de corte más adecuada para su césped.

Cuando transporte el cortacésped, ajuste la altura de la plataforma a 5,5" (14 cm) pisando el pedal hasta el tope para bloquearlo.

La altura de corte es ajustable desde 1,5-4,5 pulgadas. La cubierta debe elevarse para evitar tocones, rocas u otros obstáculos que puedan dañar la cubierta del cortacésped.

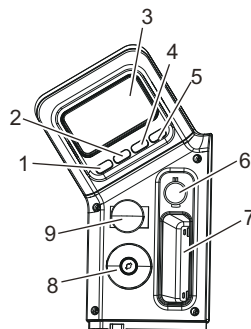
Para ajustar la altura de corte:

1. Detenga el cortacésped y desengrane las cuchillas.
2. Gire la llave a la posición de apagado y aplique el freno de estacionamiento.
3. Pise el pedal (2) y empuje hacia delante hasta el final.
4. Elija la altura deseada de la plataforma, inserte el pasador de ajuste de altura (1) en la ranura para fijarlo.



5. Suelte lentamente el pedal.

5.1.6 PANEL DE CONTROL



Nota: Los ajustes de la velocidad de las cuchillas, la velocidad de conducción y las luces sólo son posibles en la pantalla de inicio.

- 1. Botón de velocidad de la cuchilla/Retroceso:** Ajuste la velocidad de las cuchillas (cíclico)/Volver a la página anterior.
- 2. Botón Menú/Ascender página:** Menú/Navegar ascender página.
- 3. Pantalla digital:** Esta pantalla digital muestra información importante del sistema eléctrico. Véase la sección **Pantalla digital** bajo **Modo de empleo**. (Referencia 7,4)
- 4. Botón de luces/Descender página:** Activar luces/ Navegar descender página.
- 5. Botón de velocidad de conducción/Confirmar:** Ajuste la velocidad de accionamiento (cíclico)/Pulse para confirmar.
- 6. Puerto de carga USB:** Abra la cubierta superior para acceder a los puestos de carga USB-A y USB-C. El cortacésped debe activarse para la carga.

▲ PRECAUCIÓN

Si intenta cargar dispositivos con un valor nominal superior a 2,1 A podría dañar el puerto de carga USB o el cortacésped.

7. Ranura para teléfono: Almacenamiento en dispositivos móviles.

8. Interruptor de encendido: Este interruptor se utiliza para encender y apagar el cortacésped. La llave de arranque debe estar insertada antes de poder accionar el interruptor.

9. Interruptor PTO (Toma de fuerza): El interruptor PTO acopla y desacopla las cuchillas del cortacésped. Tire hacia ARRIBA del interruptor para engranarlas y presione hacia ABAJO para desengranarlas.

▲ PRECAUCIÓN

No accione el interruptor PTO cuando la plataforma esté bajo carga. Si lo hace, puede dañar el motor y/o la cubierta.

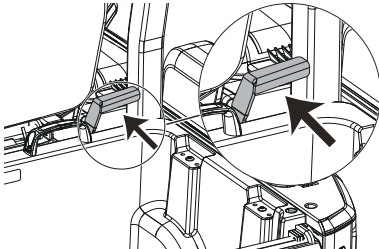
5.1.7 CAJÓN DE ALMACENAMIENTO TRASERO

El cajón de almacenamiento trasero del cortacésped puede transportar diversas herramientas o materiales, con una capacidad de carga máxima de 90 kg (200 lbs). Está equipado con un mecanismo basculante para la descarga de materiales.

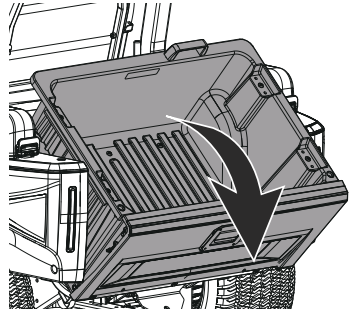
▲ AVISO

Cuando se circula en pendiente, la capacidad máxima de carga del compartimento de almacenamiento trasero es de 90 lb.

1. Mueva la palanca de desbloqueo hacia delante para desbloquear el cajón de almacenamiento trasero.



2. El cajón de almacenamiento trasero basculará hacia atrás.



3. Para volver a colocar el cajón de almacenamiento en su posición original, empuje la palanca de desbloqueo hacia delante y, a continuación, empuje el cajón de almacenamiento trasero hacia delante hasta que se bloquee firmemente en el gancho de la palanca de desbloqueo.

6 SISTEMA ELÉCTRICO

6.1 SEGURIDAD DEL SISTEMA ELÉCTRICO

Para reducir el riesgo de lesiones personales graves debidas a un incendio o una descarga eléctrica al trabajar en el sistema eléctrico:

- Retire siempre la llave de arranque y las baterías, y lea el manual del operario antes de trabajar con este producto.
- Retire siempre la llave de arranque y las baterías al transportar el producto.
- Mantenga el producto limpio de recortes de hierba, hojas y otros residuos. NO utilice agua para limpiar el producto. Utilice únicamente aire comprimido. Lleve protección ocular y auditiva adecuada al limpiar el producto.
- Lleve siempre equipos de protección (gafas de seguridad, protector facial y guantes) cuando trabaje con la batería. Utilice herramientas aisladas.
- Limpie toda la suciedad y los residuos del producto. No utilice disolventes, limpiadores agresivos o abrasivos.
- Mantenga la zona libre de transeúntes al acoplar el interruptor PTO.
- Nunca permita la presencia de llamas, chispas ni humo cerca del producto o las baterías.
- Mantenga el producto y las baterías fuera del alcance de los niños.
- Mantenga siempre las protecciones, cubiertas y protectores en su posición y bien fijados. Si resultan dañados, repare o sustituya inmediatamente. Nunca modifique ni retire los dispositivos de seguridad.

6.2 INFORMACIÓN SOBRE EL SISTEMA ELÉCTRICO

El producto funciona con un sistema eléctrico en V. Consta de los siguientes componentes:

1. Controlador de cuchilla (1)
2. Motor de cuchilla (3)
3. Controlador de accionamiento (2)
4. Acelerador - derecho (1)
5. Acelerador - izquierdo (1)
6. Pantalla digital (1)
7. Motor de rueda (2)
8. Batería (6)
9. Luz delantera (2)
10. Luz del guardabarros delantero (2)
11. Luz trasera (2)
12. Luz ROPS (1)
13. Toma ETO (1)

7 FUNCIONAMIENTO

Esta sección describe el funcionamiento del producto.

▲ AVISO

DEBE LEER DETENIDAMENTE Y ENTENDER EL CAPÍTULO DE SEGURIDAD Y LAS INSTRUCCIONES DE FUNCIONAMIENTO ANTES DE UTILIZAR EL PRODUCTO.

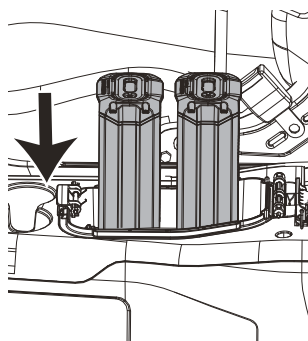
7.1 ANTES DEL FUNCIONAMIENTO

7.1.1 CONECTE LAS BATERÍAS AL PRODUCTO

▲ AVISO

Utilice sólo Greenworks baterías originales con el producto.

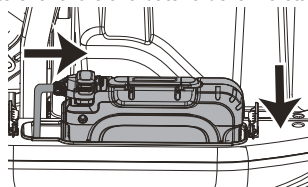
1. Asegúrese de que las baterías están completamente cargadas.
2. Presione el botón de desbloqueo para abrir la tapa del compartimento de las baterías.
3. Introduzca las baterías pequeñas dentro del compartimento. La batería se bloquea en su posición cuando escucha un clic.



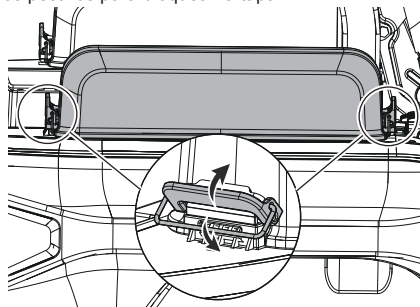
▲ PRECAUCIÓN

Si la batería no se desplaza con facilidad en el compartimento rectangular, la batería no está instalada correctamente. Esto puede causar daños al producto.

4. Introduzca la batería de maleta en el compartimento de la batería grande. La batería de la maleta se bloquea en su posición cuando se oye un clic. Conecte el enchufe a la batería de la maleta.



5. Coloque la tapa grande del compartimento y tire de los pestillos para bloquear la tapa.



7.1.2 ELEVACIÓN Y DESCENSO DE LA BARRA ANTIVUELCO

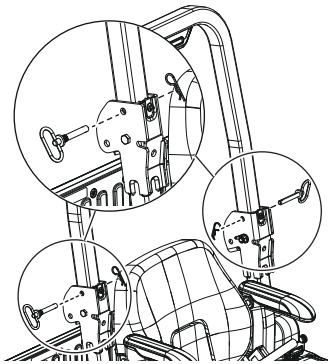
▲ AVISO

Evite lesiones graves o la muerte por vuelco:

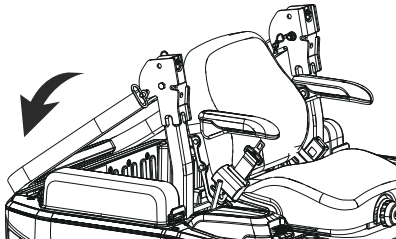
- Utilice el cinturón de seguridad cuando la barra antivuelco esté elevada.
- No hay protección antivuelco cuando la barra antivuelco está bajada.
- Baje la barra antivuelco solo cuando sea necesario y NUNCA la quite.
- NO utilice el cinturón de seguridad con la barra antivuelco bajada.
- Suba la barra antivuelco cuando el espacio lo permita.
- NO salte si el cortacésped vuelca.

Para bajar la barra antivuelco:

1. Extraiga los pasadores en R de los pasadores de horquilla.
2. Retire los pasadores de horquilla. Ajuste la barra superior si es necesario para soltar los pasadores de la barra antivuelco.



3. Baje la barra antivuelco.
4. Instale los pasadores de horquilla y los pasadores en R para fijar la barra antivuelco en la posición bajada.



Para subir la barra antivuelco:

1. Levante la barra antivuelco superior hasta la posición elevada.
2. Inserte los pasadores de horquilla por la barra antivuelco.
3. Posteriormente, instale los pasadores en R en los pasadores de horquilla.

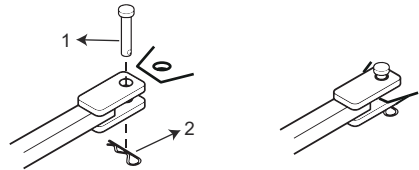
7.1.3 ENGANCHE DE REMOLQUE TRASERO

▲ AVISO

El remolcado de cargas puede resultar peligroso, especialmente en pendientes.

- El peso total máx. (remolque y carga) no debe superar los 300 lbs (136 kg).
- El peso máximo de remolcado debe ser inferior a 45 lbs (20,2 kg).
- Evite pendientes de más de 10 grados.
- Ralentice y tenga cuidado en las pendientes.
- NO remolque con un recogehierba.

Fije el remolque con el pasador de horquilla adecuado (1) y el pasador en R (2).

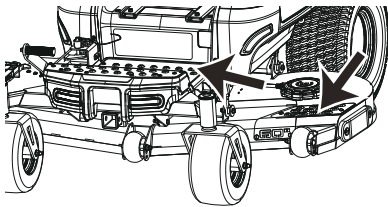


Las cargas remolcadas excesivas afectan a la tracción y al control en pendientes. Aligere la carga en pendientes. Las condiciones de la superficie afectan a la tracción y la estabilidad. Las superficies mojadas o resbaladizas reducen la tracción, lo que afecta a las maniobras de frenado y giro. Evalúe el terreno antes de utilizar la unidad y el remolque, evitando pendientes superiores a 10 grados.

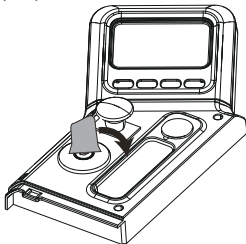
7.2 PONGA EL PRODUCTO EN MARCHA

Nota: Despeje la zona de transeúntes antes de utilizar el cortacésped. Si alguien entra en la zona de siega, deténgase inmediatamente y no vuelva a segar hasta que los transeúntes abandonen la zona.

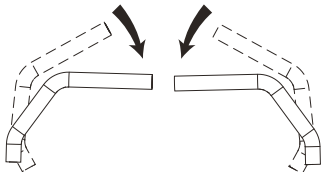
1. Suba al cortacésped desde el reposapiés del lado izquierdo de la plataforma. El acceso al asiento del operario desde otras direcciones puede producir daños en el cortacésped o aumentar el riesgo de lesiones para el operario.



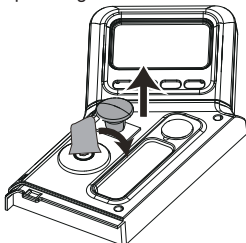
2. Eleve la cubierta del cortacésped a su posición más alta. Véase la sección **Pasador de ajuste de altura del pedal y la plataforma** sección bajo **Características y controles**. (Referencia 5,1,5)
3. Inserte la llave de arranque y gírela a la posición de encendido (ON).



4. Tire de las palancas de control de la dirección hacia dentro hasta la posición de PUNTO MUERTO.



5. Tire hacia arriba del interruptor PTO para engranar las cuchillas para segar.



Nota: Acople las cuchillas solo después de colocar las palancas de control de movimiento en la posición de PUNTO MUERTO. ¡NUNCA acople las cuchillas cuando esté en movimiento!

6. Empuje las palancas de control de dirección hacia delante para el movimiento hacia delante y tire para el movimiento hacia atrás.

Nota: Tenga cuidado al cruzar por caminos de grava o calzadas. Antes de cruzar, desengrane

las cuchillas y eleve la cubierta de corte a la posición más alta para minimizar la posibilidad de rebote. Conduzca despacio para evitar la pérdida de tracción y control.

Nota: No intente cambiar la dirección de funcionamiento mientras el cortacésped esté en movimiento. Deténgase siempre por completo antes de cambiar la dirección del cortacésped.

Nota: Las palancas de control de la dirección retrocederán hacia la posición neutra si se sueltan desde atrás, pero es importante guiarlas manualmente para que alcancen la posición neutra.

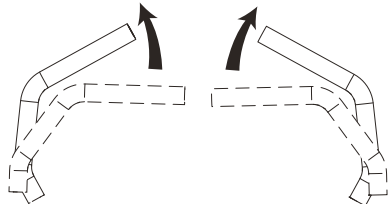
ES

7.3 PARADA DEL PRODUCTO

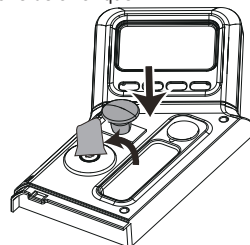
▲ PELIGRO

Nunca haga paradas repentinas ni dé marcha atrás, especialmente cuando maniobre en una pendiente. La dirección se ha diseñado para una respuesta sensible. El movimiento rápido de las palancas de control de dirección en cualquier dirección podría ocasionar una reacción del producto que puede producir lesiones graves.

1. Lleve el cortacésped a una superficie llana y a nivel y devuelva las palancas de control de dirección a la posición de PUNTO MUERTO para detener el movimiento del cortacésped. Empuje las palancas de control de dirección hacia fuera para aplicar el freno de estacionamiento.

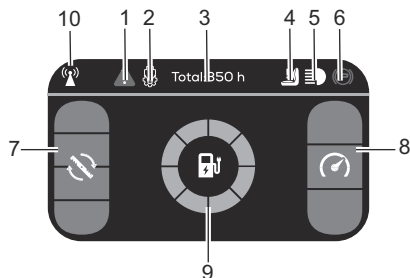


2. Presione el interruptor PTO hacia abajo para desacoplar las cuchillas.
3. Gire la llave de arranque a la posición de apagado. Retire la llave de arranque.



7.4 PANTALLA DE INDICACIÓN DIGITAL

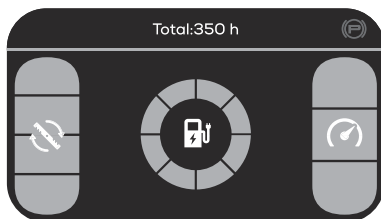
La función de la pantalla digital, que se encuentra en el panel de control, es ofrecer información del sistema eléctrico al operario. Ofrece información detallada en forma de patrones, códigos y números.



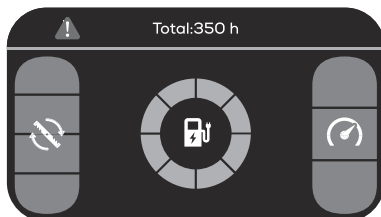
#	Nombre	Función
1		Advertencia de error. Compruebe el código de error.
2		El dispositivo ETO está en funcionamiento. Si parpadea, el dispositivo está conectado.
3	Total: 350h	Tiempo de trabajo
4		Se necesita la presencia del usuario para funcionar.
5		Luces LED activadas.
6		El freno de estacionamiento está aplicado. Si el icono parpadea, la función de derivación de punto muerto está activada.
7		Velocidad de la cuchilla
8		Velocidad de conducción
9		Nivel de batería
10		Señal GPS 4G

7.4.1 PANTALLA DE INICIO

1. La velocidad de accionamiento tiene 3 niveles y la velocidad de la cuchilla 4 niveles. Pulse el botón de velocidad de la cuchilla y el botón de velocidad de accionamiento en el panel de control para ajustar. El número del icono verde que aparece a cada lado indica la velocidad de conducción o de la cuchilla en ese momento.



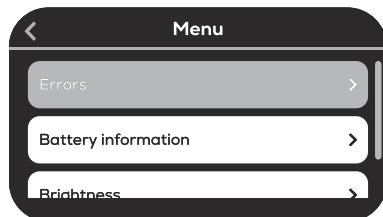
2. Si el sistema de conducción/de la cuchilla tiene errores, la barra de velocidad de conducción/de la cuchilla se volverá gris hasta que se elimine el error.



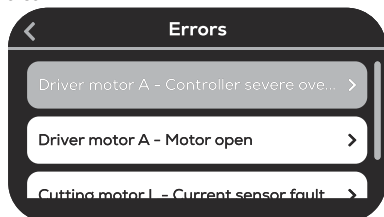
7.4.2 MENÚ

1. Pulse el botón de menú para ir a la página de menú. Puede configurar 5 elementos, incluyendo Errores, Información de la batería, Brillo, Idioma, ETO.

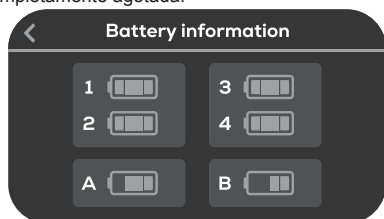
Artículo	Función
Errores	Esta página muestra el contenido del error y sugerencias.
Información sobre la batería	Esta página muestra el estado de la batería.
Brillo	Seleccione el brillo de pantalla que desee.
Idioma	Seleccione el idioma de la pantalla digital.
Toma de corriente eléctrica (ETO)	Esta página muestra el estado del dispositivo ETO.



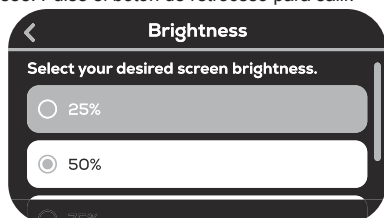
2. Seleccione los errores y pulse el botón Confirmar para entrar en la página de errores. Esta página mostrará todos los errores. Elija el nombre específico del error y pulse el botón Confirmar para leer las sugerencias. Pulse el botón de retroceso para salir.



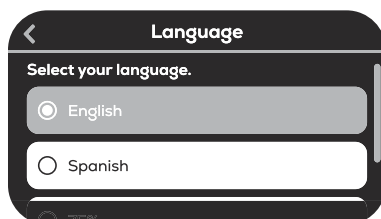
3. Pulse el botón de descender página para seleccionar la información de la batería y pulse el botón Confirmar para entrar en la página de información de la batería. Esta página muestra el estado de funcionamiento de las baterías. Icono verde: la batería funciona correctamente. Icono rojo: la batería está demasiado caliente. Icono gris - la ranura de la batería está vacía o la batería está completamente agotada.



4. Pulse el botón de ascender página para seleccionar el brillo y pulse el botón confirmar para entrar en la página de brillo. Seleccione el brillo de pantalla que desee. Pulse el botón de retroceso para salir.



5. Pulse el botón de descender página para seleccionar el idioma y pulse el botón Confirmar para entrar en la página de idioma. Seleccione el idioma que desee. Pulse el botón de retroceso para salir.



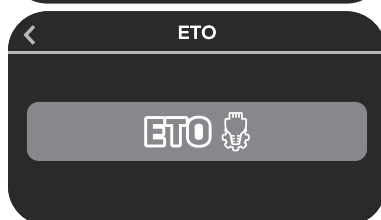
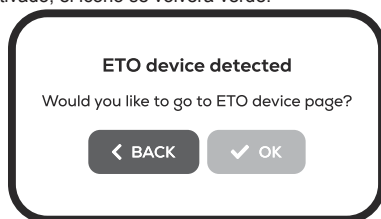
6. Pulse el botón ascender página para seleccionar ETO y pulse el botón Confirmar para entrar en la página ETO. Pulse el botón de retroceso para salir.



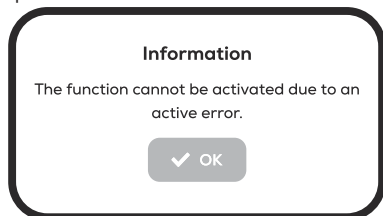
7.4.3 TOMA DE CORRIENTE ELÉCTRICA (ETO) PARA CONECTAR LOS ACCESORIOS

La ETO permite utilizar este cortacésped junto con accesorios especiales.

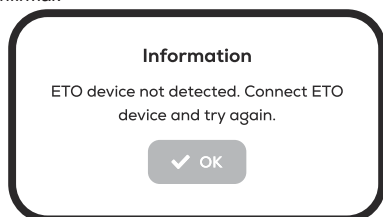
1. Cuando los accesorios están montados en el cortacésped y enchufados en la toma ETO delantera o trasera, aparecerá una ventana emergente en cualquier página excepto en la página ETO. Pulse el botón Confirmar para acceder a la página ETO. Cuando el dispositivo ETO está activado, el icono se volverá verde.



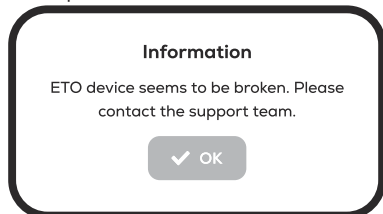
2. Cuando el dispositivo ETO no se puede activar debido a un error del cortacésped, la pantalla mostrará lo siguiente. Pulse el botón Confirmar para comprobar los errores.



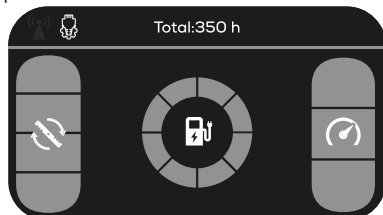
3. Cuando no se detecta el dispositivo ETO, la pantalla mostrará lo siguiente. Pulse el botón Confirmar para confirmar.



4. Cuando el dispositivo ETO parece estar roto, la pantalla mostrará lo siguiente. Pulse el botón Confirmar para confirmar.

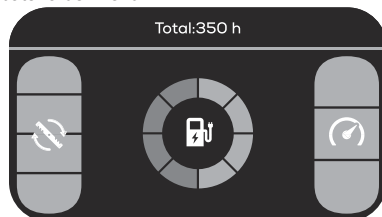


5. Pulse el botón Atrás para regresar a la página de inicio. El icono ETO aparecerá en la pantalla si el dispositivo ETO está activado.

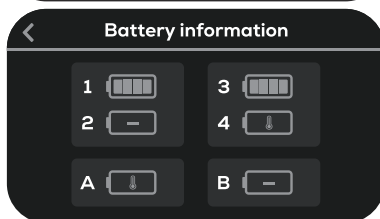
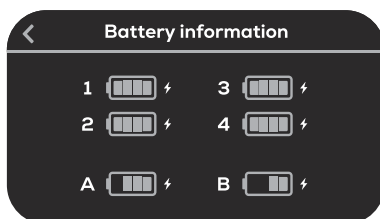


7.4.4 CARGA

1. Mientras el producto se está cargando, la pantalla digital indicará el nivel de carga de la batería en la pantalla de inicio. La información sobre la carga también estará visible en la sección Información de la batería del menú.



2. La información de la batería también estará visible en la sección Información de la batería del menú. El icono verde indica que la batería funciona correctamente, el icono rojo indica que la batería se ha sobrecalentado y el icono gris indica que el compartimento de la batería está vacío o que la batería se ha agotado por completo.



7.5 CONSEJOS DE FUNCIONAMIENTO DE LA APLICACIÓN

7.5.1 REGISTRO E INICIO DE SESIÓN

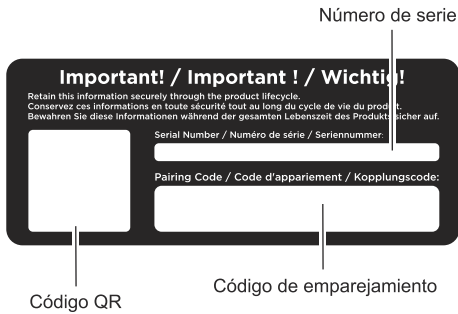
1. Visite el sitio web de Fleet Management: fleet.greenworkcommercial.com.
2. Cree una cuenta y, posteriormente, inicie sesión.
3. Invite a otros usuarios de su organización.
4. Escanee el código QR de la siguiente aplicación, descargue la aplicación e inicie sesión.



Nota: Consulte la página de emparejamiento de la aplicación de Greenworks Commercial si desea información adicional sobre la conexión de su máquina.

- Añada el dispositivo introduciendo el número de serie y el código de emparejamiento o escaneando el código QR de la etiqueta correspondiente.

Nota: El código QR que aparece en la etiqueta correspondiente al vehículo de este manual se genera a partir del número de serie y el código de emparejamiento.



7.6 PRÁCTICAS DE CONDUCCIÓN DE CORTACÉSPEDES DE GIRO CERO

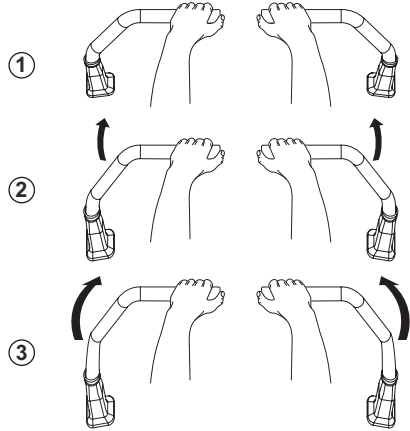
Antes de poner en funcionamiento el cortacésped, asegúrese de haber estudiado la sección de **características y controles** (Referencia 5) para comprender las funciones de control. El uso de las palancas de control de movimiento para dominar el control suave y eficaz del avance, el retroceso y el giro requiere práctica. Familiarícese con la aceleración, el desplazamiento y la dirección practicando las maniobras en una zona de césped despejada y abierta, sin obstáculos ni riesgos. Conduzca a baja velocidad para evitar que patinen los neumáticos y se dañe el césped. Comience con el procedimiento de desplazamiento suave y progrese a las maniobras de avance, retroceso y giro.

7.6.1 DESPLAZAMIENTO SUAVE

Las palancas de control de dirección del cortacésped tienen una respuesta rápida. El enfoque óptimo para manejar estas asas implica tres pasos:

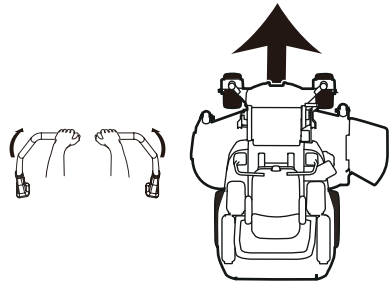
- Coloque las manos sobre las palancas.

- Para avanzar lentamente, empuje las palancas hacia delante con las palmas de las manos.
- Para alcanzar el máximo de la velocidad definida, mueva las palancas más hacia delante. Para una deceleración suave, mueva las palancas hacia el punto muerto.



7.6.2 CONDUCCIÓN BÁSICA

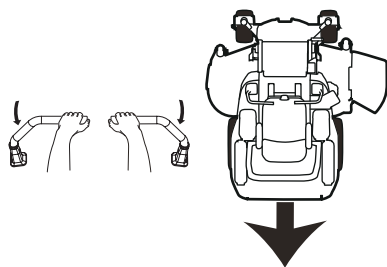
Práctica de desplazamiento hacia delante



Mueva las dos palancas de control de dirección de forma uniforme y gradual hacia delante desde el punto muerto. Practique la ralentización y la repetición.

Nota: el dominio del desplazamiento hacia delante requiere práctica. Ajuste la velocidad según sea necesario.

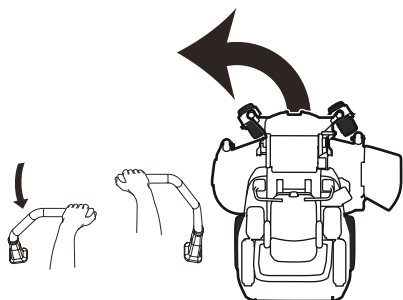
Práctica de desplazamiento hacia atrás



Mire hacia atrás y hacia abajo, a continuación, tire gradualmente de ambas palancas de control de dirección de manera uniforme hacia atrás desde el punto muerto. Practique la ralentización y la repetición.

Nota: dedique varios minutos a practicar la marcha atrás antes de hacerlo cerca de objetos. Recuerde que el cortacésped gira bruscamente en marcha atrás, de forma similar al movimiento hacia delante, y el retroceso en línea recta requiere práctica.

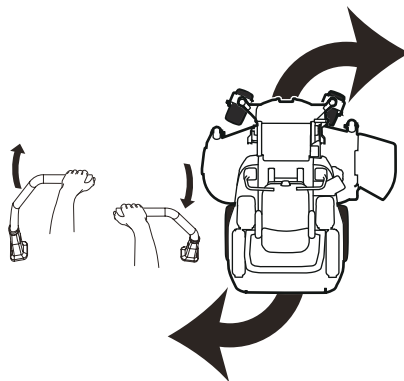
7.6.3 PRÁCTICA DE GIRO EN ESQUINA



Mientras se desplaza hacia delante, lleve suavemente una palanca de control de dirección hacia atrás, hacia el punto muerto. Practique esto repetidamente.

Nota: para evitar girar directamente sobre la banda de rodadura de los neumáticos, asegúrese de que ambas ruedas mantengan un ligero movimiento hacia delante.

7.6.4 PRACTICA DE GIRO EN EL SITIO



Para una maniobra de "giro cero", mueva gradualmente una palanca de control de dirección hacia delante desde el punto muerto mientras mueve la otra hacia atrás desde el punto muerto simultáneamente. Practique esto varias veces.

Nota: Al ajustar el grado de avance o retroceso de cada palanca de control de dirección, se modifica el "punto de giro".

7.6.5 CONDUCCIÓN AVANZADA

La excepcional función de giro cero del cortacésped le permite girar al final de la hilera en lugar de detenerse y realizar un giro en Y antes de comenzar una nueva hilera.

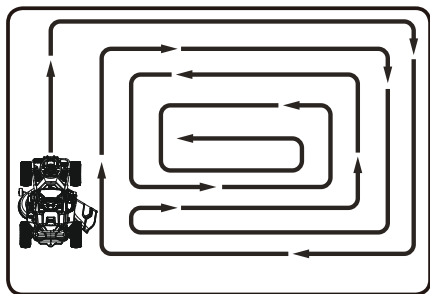
A continuación, se muestra cómo ejecutar un giro cero a la izquierda al final de la hilera:

1. Decelere gradualmente al final de la hilera.
2. Empuje ligeramente la palanca de control de dirección DERECHA hacia delante mientras mueve la palanca de control de dirección IZQUIERDA hacia el centro y, posteriormente, ligeramente hacia atrás.
3. Reanude el segado marcha hacia delante.

Al adoptar este enfoque, el cortacésped gira a la izquierda y solapa ligeramente la hilera recién cortada, eliminando la necesidad de retroceder y volver a cortar la hierba que se haya quedado sin cortar.

7.7 CORTE DE HIERBA

Seleccione una zona lisa y nivelada para segar. Tenga cuidado con los árboles, las vallas y las pendientes. Siegue en líneas rectas, ligeramente solapadas. Cambie de vez en cuando los patrones para evitar zonas planas. Para dar un toque profesional, siegue una vez transversalmente y, a continuación, perpendicularmente en la siguiente vuelta.



Cuando sigue espacios amplios, empiece girando hacia la derecha para asegurarse de que los recortes se alejen de arbustos, vallas, entradas de vehículos y otras zonas. Después de realizar una o dos rondas, siga en un patrón de vaivén a través del césped, girando en los bordes de la hierba cortada previamente.

7.8 PATRONES DE SEGADO

7.8.1 DESCARGA LATERAL

La descarga lateral es una técnica de segado que procesa eficazmente un mayor volumen de hierba en una sola pasada. Este método consiste en expulsar los recortes de hierba hacia el lateral de la plataforma del cortacésped y dispersarlos por el césped. El diseño de la plataforma de descarga lateral permite un corte eficaz incluso en condiciones de hierba alta, por lo que es ideal para zonas de mayor tamaño en las que es esencial agilizar el corte del césped. Para un corte óptimo, ajuste la velocidad de las cuchillas al nivel más alto. Si el motor ralentiza, reduzca la velocidad de conducción. Una velocidad más lenta aumenta la eficacia de las cuchillas y evita problemas de corte. Elija el segado con descarga lateral para hierba entre 7-12 cm (3-5 pulg.). Evite cortar más de 2,5 cm (1 pulg.) cada vez.

7.8.2 MULCHING

El mulching ofrece ventajas versátiles, cortando finamente la hierba y devolviendo los recortes al suelo. Recuerde que el mulching funciona mejor con hierba seca y de altura moderada. Para que el mulching se realice correctamente, ajuste la velocidad de la cuchilla al máximo de modo que corresponda con la velocidad de conducción más lenta. De este modo, los recortes serán más finos. Al hacer mulching, conduzca aproximadamente a la mitad de la velocidad empleada para esparcir.

Longitud óptima de recorte

El mulching óptimo recorta solo un $\frac{1}{2}$ - $\frac{3}{4}$ de pulgada superior de la hierba, dando lugar a recortes que se descompondrán. Experimente con la altura de corte en función del clima, la estación y la densidad del césped. Como siempre, siga con cuidado y tenga en cuenta

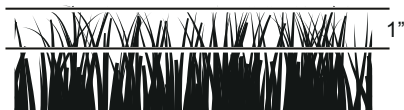
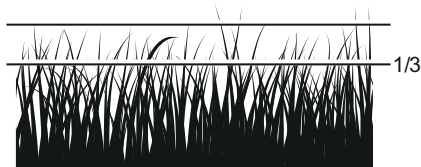
las condiciones específicas de su césped para obtener los mejores resultados.

7.9 RECOMENDACIONES DE SEGADO

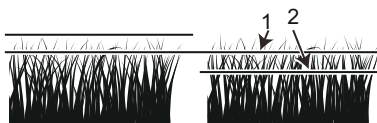
Son muchos los factores que influyen en la eficacia de corte hierba del cortacésped. El cumplimiento de las normas de corte mejora el rendimiento y la vida útil del cortacésped.

7.9.1 ALTURA DE LA HIERBA

La altura de corte suele depender de las preferencias. Normalmente, siga cuando la hierba tenga aproximadamente 7-12 cm (3-5 pulg.) de altura. La altura adecuada varía en función del tipo de hierba, las precipitaciones, la temperatura y la salud del césped. Un corte demasiado corto debilita la hierba y la hace más propensa a sufrir daños por los periodos de sequía y las plagas. Un césped ligeramente más largo es menos propenso a sufrir daños. Un crecimiento más largo en condiciones calurosas y secas reduce el estrés térmico, conserva la humedad y protege contra los daños. Si mantiene la hierba demasiado larga se genera un césped fino y problemas. No corte demasiado de una vez; siga la regla de 1/3: recorte un máximo de 1/3 y no más de 2,5 cm (1 pulg.) cada vez.



La capacidad de corte depende del sistema de segado elegido. El esparcido con cubiertas de descarga lateral maneja más hierba que el mulching. La hierba alta necesita un corte gradual. Para hierba muy alta, comience con la altura máxima (1), luego bájela para la segunda (2) o tercera pasada. Evite dejar un exceso de recortes sobre la hierba. Considere la posibilidad de utilizar un sistema de recogida de hierba o de compostaje. Recuerde que cada sistema se adapta a una situación diferente.



7.9.2 CUÁNDO Y CON QUÉ FRECUENCIA SEGAR

El momento y el estado de la hierba influyen significativamente en los resultados de la siega. Siga estas directrices para obtener los mejores resultados:

- Siegue cuando la altura de la hierba esté entre 75-125 mm (2,95 - 4,92 pulgadas).
- Utilice cuchillas afiladas para mayor precisión. Los recortes cortos de menos de 25 mm (0,98 pulgadas) se descomponen más rápido, y las cuchillas afiladas evitan los bordes irregulares.
- Elija un momento fresco y seco del día para cortar el césped, como a última hora de la tarde o a primera hora de la noche.
- Evite segar después de una lluvia o rocío intenso. No triture nunca la hierba mojada, ya que se apelmaza bajo la cubierta del cortacésped y no tritura eficazmente.

8 TRANSPORTE

8.1 TRANSPORTE DEL CORTACÉSPED

▲ PRECAUCIÓN

No remolque este cortacésped, podría dañar el sistema de transmisión.

▲ AVISO

No cargue el cortacésped en un remolque o camión utilizando dos rampas separadas. Utilice únicamente una rampa de ancho completo que sea al menos 305 mm (1 pie) más ancha que la anchura de las ruedas traseras del cortacésped. Las ruedas traseras podrían salirse de las rampas o la unidad podría volcar hiriendo al operador o a otras personas. Asegúrese de que la cubierta de corte esté elevada a la posición más alta para que no quede atrapada en la rampa.

1. Aparque el cortacésped en una superficie nivelada.
2. Eleve la cubierta de corte a la posición más alta.
3. Coloque y fije la rampa al remolque según las instrucciones del fabricante.
4. Utilice una rampa de carga de ancho completo que sea al menos 305 mm (1 pie) más ancha que el cortacésped para reducir el riesgo de salirse por el lateral de la rampa.
5. Introduzca lentamente el cortacésped en la rampa y en el remolque.
6. Ponga el freno de estacionamiento.
7. Después de cargar, baje completamente la cubierta del cortacésped.
8. Fije el cortacésped según sea necesario con correas o cables para evitar que se mueva durante el transporte.

▲ AVISO

Para evitar que el cortacésped arranque o se mueva accidentalmente, lo que podría causar lesiones personales graves, retire siempre la llave de arranque y ponga el freno de estacionamiento cuando transporte el cortacésped.

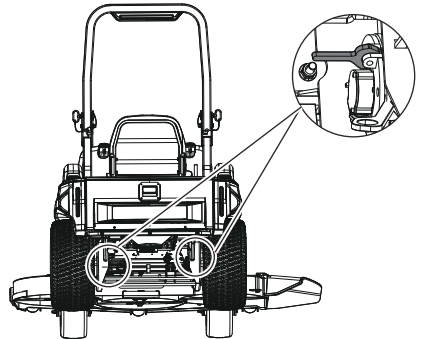
8.2 TRANSPORTE DE LAS BATERÍAS DE IONES DE LITIO

El Departamento de Transporte de EE.UU. y las autoridades de transporte internacional exigen que las baterías de iones de litio se transporten con un embalaje especial y que solo sean transportadas por empresas certificadas para ello. En EE.UU., se permite transportar la batería cuando está instalada en el cortacésped como equipo alimentado mediante batería, con algunos requisitos reglamentarios. Póngase en contacto con el Departamento de Transporte de EE.UU. o con el organismo gubernamental correspondiente de su país para conocer los reglamentos detallados sobre el transporte de su batería o del cortacésped equipado con la batería. Para obtener información detallada sobre el envío de una batería, contacte con un distribuidor de servicio técnico autorizado de Greenworks.

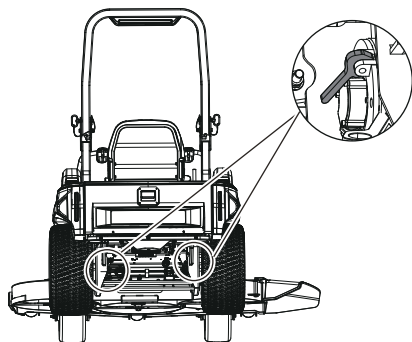
8.3 PALANCA DE DERIVACIÓN DE PUNTO MUERTO

Las palancas de derivación de punto muerto desconectan el sistema de transmisión que conecta la potencia del motor a las ruedas y pueden utilizarse cuando necesite empujar o mover manualmente el cortacésped sin que el motor esté en marcha.

- Localice las palancas de derivación de punto muerto situadas debajo de la parte trasera del bastidor del cortacésped. Estas palancas manejan individualmente las ruedas de tracción.
- Empuje la palanca hacia fuera para desbloquear las palancas y soltar los frenos.



- Empuje la palanca hacia dentro para bloquear las palancas para un funcionamiento normal.



▲ AVISO

Nunca conduzca el cortacésped cuando la palanca de derivación de punto muerto se haya desacoplado. ¡Acople siempre la palanca de derivación de punto muerto en su posición original antes de conducir! ¡En caso de no acoplar la palanca, podrían producirse daños graves en el cortacésped, lo que anularía la garantía de este!

▲ AVISO

Nunca desbloquee las palancas de derivación de punto muerto cuando la máquina esté trabajando en pendiente. Una vez desbloqueadas las palancas, el cortacésped puede rodar libremente y no dispone de freno. Si se suelta la palanca en una pendiente, puede perderse el control y aumentar el riesgo de lesiones personales graves.

8.4 DESPLAZAMIENTO MANUAL DEL CORTACÉSPED

Para empujar el cortacésped manualmente:

1. Desacople las cuchillas y empuje las palancas de control de dirección hacia fuera para aplicar el freno de estacionamiento.
2. Sitúe la llave de arranque en la posición de apagado. Retire la llave de arranque y espere a que se detengan todas las piezas en movimiento antes de abandonar la posición de trabajo.
3. Vuelva a colocar las palancas de control de dirección en la posición de PUNTO MUERTO y, a continuación, desbloquee las palancas de derivación de punto muerto para desacoplar el sistema de transmisión.
4. Desplace el cortacésped al lugar deseado.

▲ PRECAUCIÓN

Para evitar daños en el motor y el sistema de transmisión, no mueva el producto a más de 8 km/h (5 mph).

5. Inmediatamente después de desplazar el cortacésped, bloquee las palancas de derivación de punto muerto.

9 LIMPIEZA Y ALMACENAMIENTO

9.1 LIMPIEZA DEL PRODUCTO

- Elimine cualquier acumulación de hierba y hojas sobre o alrededor de la cubierta del motor (No utilice agua).
- Ocasionalmente limpie el cortacésped con un paño seco.
- Si se acumula suciedad en la parte inferior del cortacésped durante el uso, pare el motor en un terreno llano, desengrane las cuchillas, ponga el freno de estacionamiento, apague el producto, retire la llave de arranque y utilice el aire comprimido para limpiar la zona.

9.2 ALMACENAMIENTO DEL PRODUCTO

Deben seguirse los siguientes pasos para preparar el producto para su almacenamiento.

- **Limpieza del cortacésped:** Antes de guardar el producto, límpielo a fondo como se indica en la sección anterior.
- **Inspección y mantenimiento de las cuchillas:** Inspeccione las cuchillas y sustitúyalas según se detalla en la sección **Mantenimiento de las cuchillas de la segadora** (Referencia 10,7) si es necesario.
- **Evite los materiales corrosivos:** Mantenga el cortacésped alejado de sustancias corrosivas, como fertilizantes o sal gema, ya que pueden provocar óxido y corrosión en componentes metálicos como la cuchilla, la cubierta, el motor y el bastidor. Mantenga el cortacésped y su batería alejados de materiales conductores o corrosivos para reducir el riesgo de cortocircuito, incendio, explosión y otros peligros eléctricos.
- **Seguridad infantil:** Guarde el producto en un lugar inaccesible a los niños para evitar accidentes.
- **Cobertura adecuada:** No cubra el cortacésped con una lámina de plástico sólida. Si se cubre con plástico, la humedad se acumulará alrededor del cortacésped y generará óxido y corrosión.
- **Compruebe si hay desgaste:** Inspeccione minuciosamente el cortacésped en busca de piezas desgastadas o dañadas que puedan requerir sustitución.
- **Mantenimiento de los neumáticos:** Evite desinflar los neumáticos durante el almacenamiento.
- **Entorno de almacenamiento:** Almacene el producto en un lugar bien ventilado, limpio y seco. Tenga en cuenta que el cargador de baterías no puede utilizarse en un entorno húmedo.

- **Proceso de carga:** Consulte la sección **Carga** (Referencia 10,3) y también el Manual del cargador de baterías para obtener instrucciones completas sobre el uso del cargador y la carga eficaz de la batería.

Nota: Siguiendo estas pautas, puede aumentar la longevidad de su cortacésped durante los periodos de almacenamiento.

ES

10 MANTENIMIENTO

10.1 SEGURIDAD DURANTE EL MANTENIMIENTO

- Deben tomarse medidas específicas para realizar los procedimientos de servicio y mantenimiento de forma segura.
- Lea y siga todos los mensajes de seguridad e instrucciones aplicables de este manual.
- Desacople siempre las cuchillas del cortacésped, aplique el freno de estacionamiento, apague el cortacésped, retire la llave de arranque, retire las baterías y espere a que se detenga todo el movimiento antes de realizar los procedimientos de servicio y mantenimiento.
- Lleve equipos de protección personal adecuados, como calzado de seguridad, gafas de seguridad, guantes y protección auditiva. El cabello largo, la ropa holgada o las joyas pueden enredarse en las piezas móviles. Sujete el cabello por encima del nivel de los hombros antes de empezar a trabajar.
- La utilización de piezas no autorizadas o aprobadas por Greenworks puede provocar lesiones graves o mortales o daños materiales.

10.2 MANTENIMIENTO DE LA BATERÍA

El cortacésped recibe alimentación de baterías de iones de litio que, cuando se mantienen correctamente, proporcionarán años de vida útil. Para un cuidado adecuado, respete las siguientes instrucciones:

- Cargue siempre la batería tras cada uso. Esto es especialmente importante cuando las temperaturas descienden por debajo de 0°C (32°F). Una descarga excesiva acortará la vida útil de la batería y puede provocar daños permanentes. Si no es posible realizar un ciclo de carga completo inmediatamente después del corte, un ciclo de 5-10 minutos ayudará a mantener la salud de la batería. Vuelva a cargar por completo la batería en las 24 horas siguientes a su uso. Para mantener una calibración adecuada, haga funcionar y cargue el cortacésped al menos una vez al mes. Realice una carga completa cada seis meses.
- Evite que la hierba, la suciedad y los residuos se acumulen cerca de la zona de la batería.
- Cargue las baterías en una zona cubierta y seca lejos de las chispas y las llamas. Nunca exponga el cargador a la lluvia, al vapor de agua ni a otros líquidos.
- No toque la parte sin aislamiento del cargador (patillas de los terminales) o del conector salida.
- No utilice el cargador si los cables han sufrido daños.
- Consulte el manual de la batería para obtener información adicional sobre las baterías.

10.2.1 MANTENIMIENTO RUTINARIO

El mantenimiento rutinario debe incluir la limpieza y la inspección.

- Durante el proceso de carga de la batería:
 - Asegúrese de que el enchufe de carga se conecte de forma segura y por completo en la toma de corriente;
 - Asegúrese de que el cargador funcione sin fallos;
 - Solucione cualquier fallo y hágalo reparar antes de cargar.
- Durante el funcionamiento del cortacésped y la carga de la batería, mantenga el puerto de carga alejado del agua y otros materiales conductores. Nunca cargue el cortacésped si está mojado.
- El tiempo de carga depende de varios factores, como el estado de la batería y las temperaturas ambiente, así como otros factores. Supervise si la batería presenta un rendimiento o un comportamiento anómalos.

10.3 CARGA

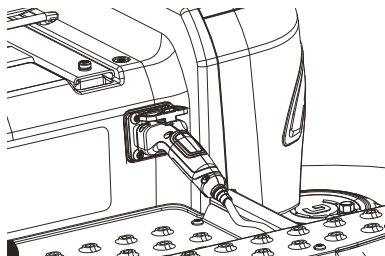
10.3.1 CARGA DE LA BATERÍA PEQUEÑA Y LA BATERÍA DE MALETA

Las baterías pueden cargarse por separado. Las cuatro baterías pequeñas pueden cargarse con un cargador específico independiente (no suministrado), y las dos baterías de maleta pueden cargarse con el cargador del cortacésped.

Consulte el manual del cargador de baterías de los dos tipos de baterías para obtener más información sobre la carga de las baterías.

10.3.2 CARGA DEL PRODUCTO

1. El puerto de carga está situado cerca del reposapiés. Abra la cubierta del puerto de carga de la batería del cortacésped.
2. Enchufe el cargador en el puerto de carga de la batería y asegúrese de que esté bien enchufado.
3. Enchufe el cargador en una toma de corriente y asegúrese de que esté bien enchufado.
4. Cuando el cortacésped está cargando, la pantalla digital solo mostrará el porcentaje de batería.



▲ AVISO

Consulte las advertencias e instrucciones de carga en el manual del cargador de baterías. Debe leer y entender todas sus advertencias e instrucciones de seguridad. El incumplimiento de las mismas puede provocar descargas eléctricas, incendios o lesiones graves.

▲ AVISO

Para reducir el riesgo de incendio y explosión, mantenga las llamas abiertas y las chispas alejadas del cortacésped y de sus baterías. Asegúrese de que haya una ventilación adecuada alrededor del cortacésped durante la carga.

Recomendaciones de carga:

- No es necesario que la batería esté completamente descargada antes de recargarla. Para mantener un estado adecuado de calibración de carga, haga funcionar y cargue el cortacésped al menos una vez al mes. Realice una carga completa cada seis meses.
- Una batería dejada sin cargar se descargará lentamente. Antes del uso inicial cada temporada de primavera, asegúrese de que la batería tenga una carga completa antes de segar.
- Compruebe la batería cada seis meses y cárguela si el nivel de carga es inferior al 50%.
- Cuando el nivel de la batería sea inferior al 5%, el motor de las cuchillas se detendrá automáticamente y la velocidad máxima de conducción será de 4 mph. El cortacésped debe cargarse inmediatamente.

Nota: Cubra el puerto de carga de la batería con la cubierta de carga antes de segar para evitar que entren objetos extraños y provoquen daños en el puerto.

10.4 PROGRAMAS DE MANTENIMIENTO RECOMENDADOS

Intervalo de servicio de mantenimiento	Procedimiento de mantenimiento
Antes de cada uso o a diario	<ul style="list-style-type: none"> • Compruebe el sistema de enclavamiento de seguridad como se menciona en la sección Sistema de enclavamiento de arranque de seguridad (Referencia 2,4,12). • Compruebe el sistema de protección antivuelco (ROPS) tal y como se menciona en la sección Sistema de enclavamiento de arranque de seguridad (Referencia 2,4,12). • Compruebe el cinturón de seguridad como se indica en la sección Examine el cinturón de seguridad (Referencia 2,4,10). • Inspeccione las cuchillas. • Compruebe si hay aislamientos deshilachados o deteriorados. • Compruebe los contactos de todos los interruptores y frenos. Si el icono P aparece en la pantalla de indicación LED, no hay un error en los frenos. • Limpie debajo de la plataforma de corte. Limpie el área debajo del asiento del operario y cerca de la batería. Retire todos los recortes de hierba, hojas y residuos del cortacésped antes de empezar a trabajar.
Diario	<ul style="list-style-type: none"> • Compruebe la presión de los neumáticos.
Cada 100 horas	<ul style="list-style-type: none"> • Compruebe las tuercas de las ruedas con lengüeta.
Antes del almacenamiento	<ul style="list-style-type: none"> • Retire la batería y la llave de arranque del producto. • Realice todos los procedimientos de mantenimiento indicados anteriormente y limpie a fondo el producto. • Inspeccione todo el producto en busca de piezas dañadas, faltantes o sueltas, sustituya o apriete las correspondientes antes de guardarlo. • Pinte las superficies desconchadas.

10.5 COMPROBACIÓN DE LA PRESIÓN DE LOS NEUMÁTICOS

La presión de los neumáticos debe comprobarse periódicamente y mantenerse en los niveles que se indican a continuación. Tenga en cuenta que estas recomendaciones pueden diferir ligeramente del "Inflado máximo" marcado en la pared lateral de los neumáticos. Si se supera el inflado máximo, puede producirse la explosión del neumático. Las presiones indicadas proporcionan una tracción adecuada y prolongan la vida útil de los neumáticos.

Ruedas de guía delanteras	26-28 psi
Ruedas de tracción	18-20 psi

10.6 VALORES DE PAR

▲ AVISO

Debe prestarse especial atención al apriete de las tuercas con lengüeta de la rueda de tracción y de los pernos del eje de la cuchilla. Si no se aprietan correctamente estos elementos, puede perderse una rueda o una cuchilla, lo que puede provocar daños o lesiones personales graves.

A continuación, se indican los valores de par:

Pieza	Ft-lbs.	N.m
Tuercas de las ruedas con lengüeta	70-77	90-105
Pernos del eje de la cuchilla	118	160

Tuercas de las ruedas con lengüeta únicamente: Se recomienda comprobarlas tras las primeras 2 horas de funcionamiento inicialmente, posteriormente cada 100 horas y después de retirarlas para su reparación o sustitución.

10.7 TAREAS DE SERVICIO DE LAS CUCHILLAS DEL CORTACÉSPED

10.7.1 MANTENIMIENTO DE LAS CUCHILLAS DEL CORTACÉSPED

Inspeccione diariamente las cuchillas del cortacésped. Son cruciales para la eficiencia energética y una siega óptima. Asegúrese de que estén afiladas, ya que una cuchilla desafilada puede causar desgarros en lugar de cortes, lo que provocaría un aspecto marrón y andrajoso en la hierba en pocas horas. Además, una cuchilla desafilada requiere más potencia. Sustituya las cuchillas cuando estén dobladas, agrietadas o rotas.

▲ AVISO

Nunca intente enderezar una cuchilla doblada calentándola, ni soldar una cuchilla rota o agrietada ya que esta puede romperse y provocar lesiones graves. Sustituya las cuchillas desgastadas o dañadas.

▲ AVISO

Nunca trabaje con las cuchillas mientras la llave esté en el interruptor de encendido. Gire la llave de arranque a la posición de apagado y retire las pilas del producto. Sujete el cortacésped con gatos de apoyo homologados cuando trabaje debajo de él. Lleve guantes al manipular las cuchillas. ¡Compruebe siempre que la cuchilla no esté dañada si el cortacésped golpea una piedra, una rama u otros objetos extraños!

- El filo de la cuchilla (parte curva) debe apuntar hacia arriba al interior de la cubierta para garantizar un corte adecuado.
- Gire las cuchillas después de la instalación para asegurarse de que las puntas de las cuchillas no se toquen entre sí ni con los laterales del cortacésped.
- Asegúrese de que el perno tiene el par de apriete correcto para evitar una posible pérdida de la cuchilla, que podría provocar lesiones graves.
- Las cuchillas del cortacésped están afiladas y pueden producir cortes. Lleve guantes y tenga sumo cuidado al realizar tareas de servicio en ellas.

10.7.2 RETIRADA DE LAS CUCHILLAS DEL CORTACÉSPED

▲ AVISO

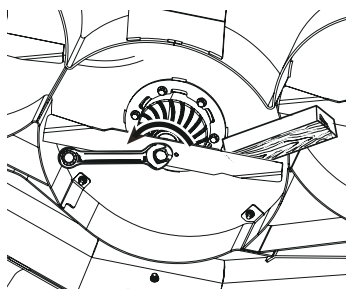
Las cuchillas del cortacésped están afiladas. Lleve siempre guantes protectores cuando manipule o trabaje cerca de las cuchillas del cortacésped.

1. Estacione el cortacésped en una superficie plana y nivelada, desacople el interruptor PTO y gire las palancas de control de dirección hacia fuera para aplicar el freno de estacionamiento. Apague el cortacésped, retire la llave de arranque y las baterías.
2. Utilice un gato estabilizador para elevar la parte delantera del chasis del cortacésped y facilitar el acceso a las cuchillas. El gato estabilizador puede colocarse contra el enganche delantero. Asegúrese de que el cortacésped esté bien sujeto antes de trabajar debajo de él.

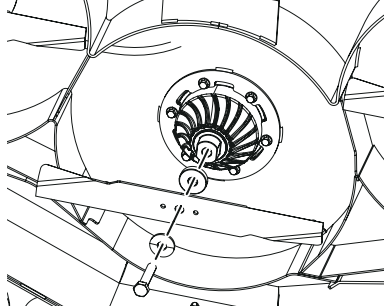
▲ AVISO

Asegúrese de que el cortacésped esté sujeto cuando se eleve con el gato estabilizador y mientras se trabaje en él.

3. Coloque un bloque de madera entre la cuchilla y la plataforma del cortacésped para evitar que la cuchilla gire mientras trabaja.
4. Afloje el perno de la cuchilla girándolo en sentido antihorario con una llave de tubo de 24 mm u otra llave.



5. Retire el perno de la cuchilla, el espaciador, la cuchilla y el soporte de la cuchilla.



10.7.3 INSPECCIÓN DE LAS CUCHILLAS DEL CORTACÉSPED

Si una cuchilla del cortacésped está desgastada o dañada, puede romperse y proyectar fragmentos hacia la zona del operario o de cualquier transeúnte, provocando lesiones graves o incluso la muerte. Inspeccione antes de cada uso. Detenga el funcionamiento si el cortacésped golpea un objeto e inspeccione si hay daños.

▲ AVISO

Las cuchillas del cortacésped están afiladas. Lleve siempre guantes protectores cuando manipule o trabaje cerca de las cuchillas del cortacésped.

- Retire la cuchilla del cortacésped de este. Consulte **Retirada de las cuchillas** (Referencia 10,7,2).
- Inspeccione las cuchillas del cortacésped para evaluar si están desafiladas y necesitan afilarse o si muestran señales de daños y deben sustituirse. Las cuchillas que presenten grietas, corrosión, óxido, desgaste excesivo, o que estén dobladas, deben desecharse.

10.7.4 INSTALACIÓN DE LAS CUCHILLAS DEL CORTACÉSPED

▲ AVISO

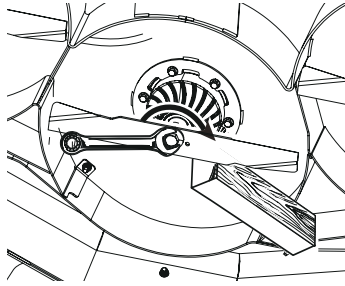
Las cuchillas del cortacésped están afiladas. Lleve siempre guantes protectores cuando manipule o trabaje cerca de las cuchillas del cortacésped.

1. Instale las cuchillas nuevas siguiendo la secuencia especificada: soporte de la cuchilla, cuchilla, espaciador y perno de la cuchilla. Asegúrese de que el filo de la cuchilla (parte curva) esté orientado hacia arriba al interior de la plataforma.

▲ AVISO

Una orientación incorrecta de las cuchillas puede dañar la plataforma de corte y afectar a la estabilidad del cortacésped, lo que puede afectar a la seguridad del operario.

2. Apriete firmemente los pernos de las cuchillas girándolos en sentido horario con una llave de tubo u otra llave de 24 mm. Apriete a 160 N.m (118 ft-lbs).



11 SOLUCIÓN DE PROBLEMAS

PROBLEMA	POSIBLE CAUSA	ACCIÓN CORRECTIVA
El producto no se mueve.	No hay batería instalada en el compartimento de la batería o la batería no es una batería oficial de Greenworks.	Utilice únicamente batería(s) oficial(es) de Greenworks. Se necesita al menos una para el funcionamiento.
	Energía baja de la batería.	Compruebe la energía de la batería, si es baja, cargue la batería.
	Las palancas de control de dirección están en la posición de estacionamiento.	Asegúrese de que las palancas de control de dirección izquierda y derecha no estén en la posición de estacionamiento.
	No hay nadie en el asiento o el interruptor de presencia del operario no funciona correctamente.	Asegúrese de que el conductor esté sentado en el asiento.
	Los interruptores de estacionamiento izquierdo y derecho no están en la posición inicial cuando se conecta la alimentación.	Sitúe las palancas de control de dirección en la posición inicial y vuelva a arrancar el producto. Si aún no es posible arrancar, contacte con el centro de servicio posventa de Greenworks.
	El compartimento de la batería está en estado de reposo.	Gire la llave de arranque a la posición de apagado y espere más de 5 segundos antes de volver a poner en marcha el producto.
El producto se detiene repentinamente durante la conducción.	La batería no está cargada.	Utilice únicamente batería(s) oficial(es) de Greenworks. Se necesita al menos una batería totalmente cargada para el funcionamiento.
	La conducción en condiciones viarias accidentadas e irregulares hace que el interruptor de presencia del operario se desconecte.	Coloque las palancas de control de dirección en la posición inicial, vuelva a arrancar el producto, empuje las palancas de control de dirección.
	Fallo del pedal del acelerador.	Contacte con el centro de servicio posventa de Greenworks.
	Fallo del controlador de vehículo.	Contacte con el centro de servicio posventa de Greenworks.
La cuchilla no funciona tras tirar del interruptor PTO.	No hay batería instalada en el compartimento de la batería o la batería no es una batería oficial de Greenworks.	Utilice únicamente batería(s) oficial(es) de Greenworks. Se necesita al menos una batería totalmente cargada para el funcionamiento.
	La energía de la batería es inferior al 5%.	Compruebe la energía de la batería, si es baja, cargue la batería.
	El interruptor de presencia del operario no funciona correctamente.	Asegúrese de que el conductor esté sentado en el asiento.
	El interruptor (PTO) de las cuchillas no está en la posición correcta antes del encendido.	Empuje el interruptor PTO y vuelva a tirar de él.
	Obstrucción del motor de la cuchilla u otra protección funcional.	Asegúrese de que no haya maleza ni objetos extraños en el punto de conexión entre la cuchilla y el motor. Se recomienda elevar la plataforma y poner en marcha la cuchilla para garantizar un funcionamiento normal antes de ajustar la altura de la plataforma.

PROBLEMA	POSIBLE CAUSA	ACCIÓN CORRECTIVA
	Fallo del controlador de la transmisión	Compruebe el código de error en la pantalla. Contacte con el centro de servicio posventa de Greenworks.
La cuchilla se para al cortar la hierba.	Fallo del controlador de la cuchilla	Compruebe el código de error en la pantalla. Contacte con el centro de servicio posventa de Greenworks.
	Sobrecarga del motor de la cuchilla.	Limpie el interior de la plataforma, asegúrese de que no haya una rotación anormal de la cuchilla, pulse el interruptor PTO, vuelva a poner en marcha el producto y reduzca la carga de la cuchilla, ya sea elevando la plataforma de corte o reduciendo la velocidad de conducción.
	Temperatura de batería demasiado alta.	No utilice el producto inmediatamente después de finalizar la carga, de lo contrario puede activarse el error de protección de temperatura de la batería.
	La energía de la batería es inferior al 5%.	Compruebe la energía de la batería, si es baja, cargue la batería.
	La cuchilla ha sido golpeada por un objeto extraño, por lo que se ha detenido repentinamente.	Gire la llave de arranque a la posición de apagado y espere más de 5 segundos antes de volver a poner en marcha el producto.
	Fallo del controlador de la transmisión	Compruebe el código de error en pantalla. Contacte con el centro de servicio posventa de greenworks. Contacte con el centro de servicio posventa de Greenworks.
El cortacésped corta la hierba de forma irregular y la diferencia de altura es muy grande.	La cuchilla está desafilada.	Contacte con el centro de servicio posventa de Greenworks para afilar o sustituir las cuchillas.
	La cuchilla está doblada.	Sustituya la cuchilla siguiendo las instrucciones del manual y lleve equipos de protección.
	Plataforma irregular.	Contacte con el centro de servicio posventa de Greenworks para nivelar la plataforma.
La altura de corte real no coincide con la altura de corte marcada que se ha seleccionado.	Los pernos de montaje de la plataforma están flojos.	Apriete firmemente los pernos de montaje de la plataforma. Es necesario volver a nivelar la plataforma tras ajustar los pernos de montaje.
	La plataforma está gravemente desgastada o dañada.	Contacte con el centro de servicio posventa de Greenworks para sustituir la plataforma.
Marcas anormales del paso del producto	La hierba está demasiado mojada.	Espere que se seque la hierba.
	La hierba es demasiado alta/densa.	Eleve la plataforma y corte la hierba con varias pasadas, ajustando la altura en consecuencia.
Vibración excesiva del producto	Los pernos de la cuchilla están flojos.	Contacte con el centro de servicio posventa de Greenworks para afilar o sustituir las cuchillas.
	La cuchilla está doblada.	Sustituya la cuchilla doblada siguiendo las instrucciones del manual y lleve equipos de protección.
	Plataforma irregular.	Contacte con el centro de servicio posventa de Greenworks para nivelar la plataforma.
	Los pernos de montaje de la plataforma están flojos.	Apriete firmemente los pernos de montaje de la plataforma. Es necesario volver a nivelar la plataforma tras ajustar los pernos de montaje.
	La hierba es demasiado alta/densa.	Si la hierba es demasiado densa o alta, eleve la plataforma de corte e intente evitar el corte de hierba densa.
Queda hierba o residuos en el	La hierba es demasiado alta/densa.	Eleve la plataforma y corte la hierba con varias pasadas, ajustando la altura en consecuencia. Si la hierba supera los 15 cm (6 pulg.), utilice dos ciclos de segado para

PROBLEMA	POSIBLE CAUSA	ACCIÓN CORRECTIVA
suelo después de segar.		conseguir el efecto de segado. Evite cortar hierba densa en la medida de lo posible.
	La hierba está demasiado mojada.	Espere que se seque la hierba.
	La velocidad de conducción es demasiado elevada.	Reduzca la velocidad de conducción.
	La velocidad de corte de las cuchillas es demasiado baja.	Aumente la velocidad de la cuchilla.
Duración corta de segado	La hierba es demasiado alta/densa.	Eleve la plataforma o disminuya la velocidad de la cuchilla para aumentar el tiempo de uso del cortacésped con una carga.
Cortacésped difícil de controlar	Presiones distintas de los neumáticos	Compruebe periódicamente la presión de los neumáticos del producto según las instrucciones del manual.
El producto no arranca tras el lavado.	Limpieza inadecuada; ha penetrado agua en la pantalla de visualización digital, el compartimento de la batería u otros componentes electrónicos.	<ol style="list-style-type: none"> 1. Siga las instrucciones para limpiar el producto. 2. Si el producto se moja accidentalmente, déjelo en un lugar seco durante 12 horas o séquelo antes de volver a ponerlo en marcha. 3. Contacte con el centro de servicio posventa de Greenworks.
El cortacésped está bloqueado.	Maleza y residuos acumulados en la plataforma.	Siga las instrucciones del manual para limpiar el producto después de cada uso.
El producto con freno de estacionamiento se desliza en pendiente.	Desgaste grave de los neumáticos.	Contacte con el centro de servicio posventa de Greenworks para sustituir los neumáticos.
	El freno de estacionamiento está dañado o seriamente desgastado.	Contacte con el centro de servicio posventa de Greenworks para sustituir el freno de estacionamiento.
	El freno de estacionamiento se suelta manualmente.	Compruebe el freno de estacionamiento y restablézcalo a la posición inicial.

12 DATOS TÉCNICOS

N.º de modelo	MZ548	MZ608
Tensión	82 V	82 V
Longitud	76,18 pulgada (185 cm)	76,18 pulgada (185 cm)
Altura	73 pulgada	73 pulgada
Anchura (con conducto de descarga)	66,1 pulgada	75,24 pulgada
Anchura de plataforma	55 pulgada	61 pulgada
Velocidad de conducción	4/6/8 mph	4/6/8 mph
Velocidad de la cuchilla	2800/3400/3600/3800 /min	2600/3000/3200/3400 /min
Velocidad sin carga	2800/3400/3600/3800 RPM	2600/3000/3200/3400 RPM
Modelo de cargador	CAB80002 y otras serie CAB	CAB80002 y otras serie CAB
Modelo de la batería	BAB70015, BAB733, BAB735 y otras series BAB	BAB70015, BAB733, BAB735 y otras series BAB

Intervalos recomendados de temperatura ambiente:

Temperatura de almacenamiento del producto	32 °F ~ 95 °F (0 °C ~ 35 °C)	
Temperatura de funcionamiento del producto	7 °F ~ 104 °F (-14 °C ~ 40 °C)	
Temperatura de almacenamiento de la batería	menos de 1 mes	32 °F ~ 122 °F (0 °C ~ 50 °C)
	menos de 3 meses	32 °F ~ 104 °F (0 °C ~ 40 °C)
	más de 3 meses	32 °F ~ 68 °F (0 °C ~ 20 °C)
Temperatura de funcionamiento del cargador	32 °F ~ 104 °F (0 °C ~ 40 °C)	
Temperatura de carga de la batería	32 °F ~ 104 °F (0 °C ~ 40 °C)	
Temperatura de descarga de la batería	7 °F ~ 104 °F (-14 °C ~ 40 °C)	

13 GARANTÍA

Por la presente, Greenworks garantiza este producto, al comprador original con el comprobante de compra, durante un periodo de cuatro (4) años o 200 horas de uso (lo que se dé primero) frente a defectos en materiales, piezas o mano de obra. A su entera discreción, Greenworks reparará o sustituirá cualquiera y todas las piezas que resulten ser defectuosas, con un uso normal, sin coste alguno para el cliente. Esta garantía es válida únicamente para unidades que se hayan utilizado para uso personal que no han sido arrendadas o alquiladas para uso industrial/comercial y cuyo mantenimiento se ha realizado de acuerdo con las instrucciones del manual del propietario suministrado con el producto nuevo.

13.1 ARTÍCULOS NO CUBIERTOS POR LA GARANTÍA:

1. Cualquiera que haya sido transferido a un nuevo propietario. Esta garantía solo es aplicable al comprador original de un vendedor o distribuidor autorizado de Greenworks. Esta garantía no es transferible.
2. Cualquier pieza que no funcione debido a mal uso, uso en alquiler, uso comercial, abuso, negligencia, accidente, mantenimiento inadecuado, modificación del producto, reparación o alteración no autorizada; o
3. Si el artículo no ha sido utilizado o mantenido de acuerdo con el manual del propietario; o
4. Desgaste normal.
5. Las piezas o servicios de mantenimiento rutinario incluyen, sin limitación: lubricantes, desgaste del asiento del cortacésped, afilado de las cuchillas, ruedas, niveles, ruedas anti-calvas, cuchillas, así como cualquier otro accesorio opcional.

6. Deterioro normal del acabado exterior debido al uso o la exposición.
7. Los daños o fallos derivados de, pero no de forma exclusiva: inmersión en agua u otros líquidos, accidentes, mal uso, negligencia o falta de instalación adecuada, así como mantenimiento y almacenamiento adecuados.
8. Un artículo que no haya sido registrado en un sitio web autorizado de Greenworks (véase la información de REGISTRO con código QR o la información de la página del producto para el registro correcto del producto).

13.2 LÍNEA DE ASISTENCIA TELEFÓNICA

Puede contactar con el servicio de garantía llamando a nuestra línea de asistencia telefónica gratuita, a 1-855-470-4267.

13.3 COSTES DE TRANSPORTE:

Los costes de transporte por el desplazamiento de cualquier unidad o accesorio de equipos eléctricos son responsabilidad del comprador. Es responsabilidad del comprador pagar los costes de transporte de cualquier pieza enviada para su sustitución bajo esta garantía, a menos que dicha devolución sea solicitada por escrito por Greenworks.

Dirección en EE.UU.: Dirección en Canadá:

Greenworks Tools

P.O. Box 1238

Mooresville, NC 28115

Greenworks Tools Canada Inc.

P.O. Box 93095, Newmarket, Ontario

L3Y 8K3

14 REGISTRO DE PRODUCTO DE GREENWORKS

ES

NOMBRE:			
DIRECCIÓN:			
CIUDAD:	ESTADO:	CÓDIGO POSTAL:	PAÍS:
TELÉFONO FIJO:		TELÉFONO MÓVIL:	
FECHA DE COMPRA:		COMPRADO A:	

15 NÚMERO(S) DE SERIE

Indique el número o números de serie a continuación junto con la información del modelo:

DESCRIPCIÓN	Nº DE MODELO	Nº DE PIEZA	Nº DE SERIE	FECHA DE COMPRA

16 ERRORES

El sistema CANBUS emprenderá acciones para proteger al usuario y al producto cuando detecte un problema. Cuando actúe apagando el producto o un componente, esto indica que se producido un error y dicho código de error se mostrará en la pantalla digital. Todos los errores eléctricos tienen un código de letra seguida por un número.

La primera letra describe el sistema que ha generado el error de acuerdo con la siguiente tabla:

Nombre	Significado
TR	Controlador del motor de la rueda derecha
TL	Controlador del motor de la rueda izquierda
PMU	Unidad de gestión de alimentación (en el compartimento de la batería)
ML	Controlador del motor de la cuchilla izquierda
MM	Controlador del motor de la cuchilla central
MR	Controlador del motor de la cuchilla derecha

16.1 CÓDIGOS DE ERROR DEL CONTROLADOR DEL MOTOR DE LA RUEDA DERECHA

ES

Códigos de error	Contenido del error	Sugerencias
TR 2	Motor de propulsión calado	Compruebe si las ruedas de tracción están obstruidas y reinicie el suministro de alimentación.
TR 5	Error del codificador del motor	Compruebe que el conector del motor esté correctamente conectado con el controlador de transmisión y, a continuación, reinicie el suministro de alimentación.
TR 6	Fase del controlador perdida	Compruebe que los cables del motor del controlador de transmisión estén correctamente conectados y, posteriormente, reinicie el suministro de alimentación.
TR 7	Error de MOSFET	Si encuentra este problema, contacte con su distribuidor para obtener una solución.
TR 8	Infratensión del controlador	La tensión es demasiado baja. Cargue la batería antes del uso.
TR 9	Sobretensión del controlador	La tensión es demasiado alta. Reinicie el suministro de alimentación.
TR 12	Sobret temperatura del motor	La temperatura del motor es demasiado alta. Espere que el motor se enfríe y, posteriormente, reinicie el suministro de alimentación.
TR 13	Sobret temperatura del controlador	La temperatura del controlador es demasiado alta. Espere que el controlador se enfríe y, posteriormente, reinicie el suministro de alimentación.
TR 14	Sobrecorriente - Nivel 1	La carga es demasiado alta. Reinicie el suministro de alimentación.
TR 15	Sobrecorriente - Nivel 2	La carga es demasiado alta. Reinicie el suministro de alimentación.
TR 16	Error del controlador de velocidad	Compruebe que el controlador de velocidad del asa esté conectado correctamente y, posteriormente, reinicie el suministro de alimentación.
TR 19	Error de secuencia de funcionamiento	Coloque las palancas izquierda y derecha en la posición de estacionamiento y vuelva a intentarlo.
TR 21	Error de relé ETO	Reinicie el suministro de alimentación.
TR 22	Error de válvula magnética	Compruebe que la válvula de solenoide del motor de propulsión esté conectada correctamente y, posteriormente, reinicie el suministro de alimentación.
TR 23	Error de comunicación del compartimento de la batería (PMU)	Fallo de comunicación con el compartimento de la batería. Reinicie el suministro de alimentación.
TR 24	Error del compartimento de la batería (PMU)	Error leve/grave en el compartimento de la batería. Realice una comprobación y reinicie el suministro de alimentación.

Códigos de error	Contenido del error	Sugerencias
TR 25	Error de tiempo de espera CAN - transmisión izquierda	Fallo de comunicación con el controlador de la transmisión izquierda. Reinicie el suministro de alimentación.
TR 26	Error de tiempo de espera CAN - transmisión derecha	Fallo de comunicación con el controlador de la transmisión derecha. Reinicie el suministro de alimentación.
TR 27	Error de tiempo de espera CAN - cuchilla izquierda	Fallo de comunicación con el controlador de la cuchilla izquierda. Reinicie el suministro de alimentación.
TR 28	Error de tiempo de espera CAN - cuchilla central	Fallo de comunicación con el controlador de la cuchilla central. Reinicie el suministro de alimentación.
TR 29	Error de tiempo de espera CAN - cuchilla derecha	Fallo de comunicación con el controlador de la cuchilla derecha. Reinicie el suministro de alimentación.
TR 31	Error de verificación del interruptor del asiento	Compruebe que el conector situado debajo del asiento esté conectado correctamente y, posteriormente, reinicie el suministro de alimentación.
TR 32	Error de autenticación de software	Reinicie el suministro de alimentación.
TR 42	Error de verificación de versión de software	Reinicie el suministro de alimentación.
TR 60	Subtemperatura del controlador	Reinicie el suministro de alimentación.
TR 61	Suministro de alimentación - error 5V	Reinicie el suministro de alimentación.
TR 62	Suministro de alimentación - error 12V	Reinicie el suministro de alimentación.
TR 63	Error del sensor de temperatura del controlador	Reinicie el suministro de alimentación.
TR 64	Error flash del controlador	Reinicie el suministro de alimentación.
TR 65	Error de datos del codificador del motor	Reinicie el suministro de alimentación.
TR 66	Error de comunicación interna del controlador	Reinicie el suministro de alimentación.
TR 67	Alarma de sobretemperatura del motor	La temperatura del motor es demasiado alta. Espere que el motor se enfríe y, posteriormente, reinicie el suministro de alimentación.
TR 68	Alarma de sobretemperatura del controlador	La temperatura del controlador es demasiado alta. Espere que el controlador se enfríe y, posteriormente, reinicie el suministro de alimentación.

16.2 CÓDIGOS DE ERROR DEL CONTROLADOR DEL MOTOR DE LA RUEDA IZQUIERDA

Códigos de error	Contenido del error	Sugerencias
TL 2	Motor de propulsión calado	Compruebe si las ruedas de tracción están obstruidas y reinicie el suministro de alimentación.
TL 5	Error del codificador del motor	Compruebe que el conector del motor esté correctamente conectado con el controlador de transmisión y, a continuación, reinicie el suministro de alimentación.
TL 6	Fase del controlador perdida	Compruebe que los cables del motor del controlador de transmisión estén correctamente conectados y, posteriormente, reinicie el suministro de alimentación.
TL 7	Error de MOSFET	Si encuentra este problema, contacte con su distribuidor para obtener una solución.
TL 8	Infratensión del controlador	La tensión es demasiado baja. Cargue la batería antes del uso.
TL 9	Sobretensión del controlador	La tensión es demasiado alta. Reinicie el suministro de alimentación.
TL 12	Sobretemperatura del motor	La temperatura del motor es demasiado alta. Espere que el motor se enfríe y, posteriormente, reinicie el suministro de alimentación.
TL 13	Sobretemperatura del controlador	La temperatura del controlador es demasiado alta. Espere que el controlador se enfríe y, posteriormente, reinicie el suministro de alimentación.
TL 14	Sobrecorriente - Nivel 1	La carga es demasiado alta. Reinicie el suministro de alimentación.
TL 15	Sobrecorriente - Nivel 2	La carga es demasiado alta. Reinicie el suministro de alimentación.
TL 16	Error del regulador de velocidad	Compruebe que el controlador de velocidad del asa esté conectado correctamente y, posteriormente, reinicie el suministro de alimentación.
TL 19	Error de secuencia de funcionamiento	Coloque las palancas izquierda y derecha en la posición de estacionamiento y vuelva a intentarlo.
TL 21	Error de relé ETO	Reinicie el suministro de alimentación.
TL 22	Error de válvula magnética	Compruebe que la válvula de solenoide del motor de propulsión esté conectada correctamente y, posteriormente, reinicie el suministro de alimentación.
TL 23	Error de comunicación del compartimento de la batería (PMU)	Fallo de comunicación con el compartimento de la batería. Reinicie el suministro de alimentación.
TL 24	Error del compartimento de la batería (PMU)	Error leve/grave en el compartimento de la batería. Realice una comprobación y reinicie el suministro de alimentación.

Códigos de error	Contenido del error	Sugerencias
TL 25	Error de tiempo de espera CAN - transmisión izquierda	Fallo de comunicación con el controlador de la transmisión izquierda. Reinicie el suministro de alimentación.
TL 26	Error de tiempo de espera CAN - transmisión derecha	Fallo de comunicación con el controlador de la transmisión derecha. Reinicie el suministro de alimentación.
TL 27	Error de tiempo de espera CAN - cuchilla izquierda	Fallo de comunicación con el controlador de la cuchilla izquierda. Reinicie el suministro de alimentación.
TL 28	Error de tiempo de espera CAN - cuchilla central	Fallo de comunicación con el controlador de la cuchilla central. Reinicie el suministro de alimentación.
TL 29	Error de tiempo de espera CAN - cuchilla derecha	Fallo de comunicación con el controlador de la cuchilla derecha. Reinicie el suministro de alimentación.
TL 31	Error de verificación del interruptor del asiento	Compruebe que el conector situado debajo del asiento esté conectado correctamente y, posteriormente, reinicie el suministro de alimentación.
TL 32	Error de autenticación de software	Reinicie el suministro de alimentación.
TL 42	Error de verificación de versión de software	Reinicie el suministro de alimentación.
TL 60	Subtemperatura del controlador	Reinicie el suministro de alimentación.
TL 61	Suministro de alimentación - error 5V	Reinicie el suministro de alimentación.
TL 62	Suministro de alimentación - error 12V	Reinicie el suministro de alimentación.
TL 63	Error del sensor de temperatura del controlador	Reinicie el suministro de alimentación.
TL 64	Error flash del controlador	Reinicie el suministro de alimentación.
TL 65	Error de datos del codificador del motor	Reinicie el suministro de alimentación.
TL 66	Error de comunicación interna del controlador	Reinicie el suministro de alimentación.
TL 67	Alarma de sobretemperatura del motor	La temperatura del motor es demasiado alta. Espere que el motor se enfríe y, posteriormente, reinicie el suministro de alimentación.
TL 68	Alarma de sobretemperatura del controlador	La temperatura del controlador es demasiado alta. Espere que el controlador se enfríe y, posteriormente, reinicie el suministro de alimentación.

16.3 CÓDIGOS DE ERROR DE LA UNIDAD DE GESTIÓN DE ALIMENTACIÓN (EN EL COMPARTIMENTO DE LA BATERÍA)

ES

Códigos de error	Contenido del error	Sugerencias
PMU 1	Overcurrent-Level1	La carga de la PMU es demasiado elevada. El fallo se resolverá automáticamente cuando baje la carga.
PMU 2	Sobretemperatura - Nivel 1	La temperatura de la PMU es demasiado alta. El fallo se resolverá automáticamente cuando baje la temperatura.
PMU 33	Sobrecorriente de hardware	La carga de la PMU es demasiado elevada. Reinicie la fuente de alimentación.
PMU 34	Sobreintensidad de realimentación	Reinicie la fuente de alimentación.
PMU 35	Sobretemperatura - Nivel 2	La temperatura de la PMU es demasiado alta. Espere a que baje la temperatura y reinicie la fuente de alimentación.
PMU 36	Subtensión	La tensión es demasiado baja. Cargue la batería e inténtelo de nuevo.
PMU 37	Sobretensión	La tensión es demasiado alta. Reinicie la fuente de alimentación.
PMU 38	Fallo de salida de la fuente de alimentación	Reinicie la fuente de alimentación.
PMU 41	No hay batería disponible	Compruebe que está utilizando la batería correcta y reinicie la fuente de alimentación.
PMU 46	Fallo del circuito de alimentación	Póngase en contacto con su distribuidor para obtener una solución.
PMU 47	Fallo de precarga	Reinicie la fuente de alimentación y póngase en contacto con su distribuidor para obtener una solución.
PMU 48	Fallo del hardware de precarga	Póngase en contacto con su distribuidor para obtener una solución.
PMU 49	Fallo del sensor de temperatura MOS negativa	Póngase en contacto con su distribuidor para obtener una solución.
PMU 52	Fallo del sensor de corriente	Póngase en contacto con su distribuidor para obtener una solución.
PMU 57	Error KSI Pre-MOS	Póngase en contacto con su distribuidor para obtener una solución.
PMU 59	Error KSI MOS	Póngase en contacto con su distribuidor para obtener una solución.
PMU 61	La batería 1 no coincide	Sustituya la batería por una plataforma de tensión adecuada.
PMU 62	La batería 2 no coincide	Sustituya la batería por una plataforma de tensión adecuada.
PMU 63	La batería 3 no coincide	Sustituya la batería por una plataforma de tensión adecuada.

Códigos de error	Contenido del error	Sugerencias
PMU 64	La batería 4 no coincide	Sustituya la batería por una plataforma de tensión adecuada.
PMU 65	La batería 5 no coincide	Sustituya la batería por una plataforma de tensión adecuada.
PMU 66	La batería 6 no coincide	Sustituya la batería por una plataforma de tensión adecuada.
PMU 67	Estado de carga anómala	Compruebe que la toma de carga está conectada o compruebe que la entrada del cargador está enchufada.

16.4 CÓDIGOS DE ERROR DEL CONTROLADOR DEL MOTOR DE LA CUCHILLA IZQUIERDA

ES

Códigos de error	Contenido del error	Sugerencias
ML 2	Motor de cuchilla calado	Compruebe la carga de segado y devuelva el interruptor de arranque de las cuchillas a su posición inicial.
ML 6	Fase del controlador perdida	Compruebe que los cables del motor del controlador de transmisión estén correctamente conectados y, posteriormente, reinicie el suministro de alimentación.
ML 7	Error de MOSFET	Si encuentra este problema, contacte con su distribuidor para obtener una solución.
ML 8	Infratensión del controlador	La tensión es demasiado baja. Cargue la batería antes del uso.
ML 9	Sobretensión del controlador	La tensión es demasiado alta. Reinicie el suministro de alimentación.
ML 13	Sobretemperatura del controlador	La temperatura del controlador es demasiado alta. Espere que el controlador se enfríe y, posteriormente, reinicie el suministro de alimentación.
ML 14	Sobrecorriente del software	La carga es demasiado alta. Reinicie el suministro de alimentación.
ML 15	Sobrecorriente del hardware	La carga es demasiado alta. Reinicie el suministro de alimentación.
ML 19	Error de secuencia de funcionamiento	Sitúe las asas izquierda y derecha en la posición de estacionamiento, y el interruptor de arranque de las cuchillas en la posición de apagado. Vuelva a sentarse en el asiento e inténtelo de nuevo.
ML 25	Error de tiempo de espera CAN - transmisión izquierda	Fallo de comunicación con el controlador de la transmisión izquierda. Reinicie el suministro de alimentación.
ML 26	Error de tiempo de espera CAN - transmisión derecha	Fallo de comunicación con el controlador de la transmisión derecha. Reinicie el suministro de alimentación.
ML 27	Error de tiempo de espera CAN - cuchilla izquierda	Fallo de comunicación con el controlador de la cuchilla izquierda. Reinicie el suministro de alimentación.
ML 28	Error de tiempo de espera CAN - cuchilla central	Fallo de comunicación con el controlador de la cuchilla central. Reinicie el suministro de alimentación.
ML 29	Error de tiempo de espera CAN - cuchilla derecha	Fallo de comunicación con el controlador de la cuchilla derecha. Reinicie el suministro de alimentación.

Códigos de error	Contenido del error	Sugerencias
ML 31	Fallo al verificar la señal de la cuchilla	Compruebe que el interruptor de arranque de las cuchillas esté conectado correctamente y, posteriormente, devuelva el interruptor a su posición inicial.
ML 32	Error de autenticación de software	Reinicie el suministro de alimentación.
ML 42	Error de verificación de versión de software	Reinicie el suministro de alimentación.

16.5 CÓDIGOS DE ERROR DEL CONTROLADOR DEL MOTOR DE LA CUCHILLA CENTRAL

ES

Códigos de error	Contenido del error	Sugerencias
MM 2	Motor de cuchilla calado	Compruebe la carga de segado y devuelva el interruptor de arranque de las cuchillas a su posición inicial.
MM 6	Fase del controlador perdida	Compruebe que los cables del motor del controlador de transmisión estén correctamente conectados y, posteriormente, reinicie el suministro de alimentación.
MM 7	Error de MOSFET	Si encuentra este problema, contacte con su distribuidor para obtener una solución.
MM 8	Infratensión del controlador	La tensión es demasiado baja. Cargue la batería antes del uso.
MM 9	Sobretensión del controlador	La tensión es demasiado alta. Reinicie el suministro de alimentación.
MM 13	Sobretemperatura del controlador	La temperatura del controlador es demasiado alta. Espere que el controlador se enfríe y, posteriormente, reinicie el suministro de alimentación.
MM 14	Sobrecorriente del software	La carga es demasiado alta. Reinicie el suministro de alimentación.
MM 15	Sobrecorriente del hardware	La carga es demasiado alta. Reinicie el suministro de alimentación.
MM 19	Error de secuencia de funcionamiento	Sitúe las asas izquierda y derecha en la posición de estacionamiento, y el interruptor de arranque de las cuchillas en la posición de apagado. Vuelva a sentarse en el asiento e inténtelo de nuevo.
MM 25	Error de tiempo de espera CAN - transmisión izquierda	Fallo de comunicación con el controlador de la transmisión izquierda. Reinicie el suministro de alimentación.
MM 26	Error de tiempo de espera CAN - transmisión derecha	Fallo de comunicación con el controlador de la transmisión derecha. Reinicie el suministro de alimentación.
MM 27	Error de tiempo de espera CAN - cuchilla izquierda	Fallo de comunicación con el controlador de la cuchilla izquierda. Reinicie el suministro de alimentación.
MM 28	Error de tiempo de espera CAN - cuchilla central	Fallo de comunicación con el controlador de la cuchilla central. Reinicie el suministro de alimentación.
MM 29	Error de tiempo de espera CAN - cuchilla derecha	Fallo de comunicación con el controlador de la cuchilla derecha. Reinicie el suministro de alimentación.

Códigos de error	Contenido del error	Sugerencias
MM 31	Fallo al verificar la señal de la cuchilla	Compruebe que el interruptor de arranque de las cuchillas esté conectado correctamente y, posteriormente, devuelva el interruptor a su posición inicial.
MM 32	Error de autenticación de software	Reinicie el suministro de alimentación.
MM 42	Error de verificación de versión de software	Reinicie el suministro de alimentación.

16.6 CÓDIGOS DE ERROR DEL CONTROLADOR DEL MOTOR DE LA CUCHILLA DERECHA

ES

Códigos de error	Contenido del error	Sugerencias
MR 2	Motor de cuchilla calado	Compruebe la carga de segado y devuelva el interruptor de arranque de las cuchillas a su posición inicial.
MR 6	Fase del controlador perdida	Compruebe que los cables del motor del controlador de transmisión estén correctamente conectados y, posteriormente, reinicie el suministro de alimentación.
MR 7	Error de MOSFET	Si encuentra este problema, contacte con su distribuidor para obtener una solución.
MR 8	Infratensión del controlador	La tensión es demasiado baja. Cargue la batería antes del uso.
MR 9	Sobretensión del controlador	La tensión es demasiado alta. Reinicie el suministro de alimentación.
MR 13	Sobretemperatura del controlador	La temperatura del controlador es demasiado alta. Espere que el controlador se enfríe y, posteriormente, reinicie el suministro de alimentación.
MR 14	Sobrecorriente del software	La carga es demasiado alta. Reinicie el suministro de alimentación.
MR 15	Sobrecorriente del hardware	La carga es demasiado alta. Reinicie el suministro de alimentación.
MR 19	Error de secuencia de funcionamiento	Sitúe las asas izquierda y derecha en la posición de estacionamiento, y el interruptor de arranque de las cuchillas en la posición de apagado. Vuelva a sentarse en el asiento e inténtelo de nuevo.
MR 25	Error de tiempo de espera CAN - transmisión izquierda	Fallo de comunicación con el controlador de la transmisión izquierda. Reinicie el suministro de alimentación.
MR 26	Error de tiempo de espera CAN - transmisión derecha	Fallo de comunicación con el controlador de la transmisión derecha. Reinicie el suministro de alimentación.
MR 27	Error de tiempo de espera CAN - cuchilla izquierda	Fallo de comunicación con el controlador de la cuchilla izquierda. Reinicie el suministro de alimentación.
MR 28	Error de tiempo de espera CAN - cuchilla central	Fallo de comunicación con el controlador de la cuchilla central. Reinicie el suministro de alimentación.
MR 29	Error de tiempo de espera CAN - cuchilla derecha	Fallo de comunicación con el controlador de la cuchilla derecha. Reinicie el suministro de alimentación.

Códigos de error	Contenido del error	Sugerencias
MR 31	Fallo al verificar la señal de la cuchilla	Compruebe que el interruptor de arranque de las cuchillas esté conectado correctamente y, posteriormente, devuelva el interruptor a su posición inicial.
MR 32	Error de autenticación de software	Reinicie el suministro de alimentación.
MR 42	Error de verificación de versión de software	Reinicie el suministro de alimentación.

greenworks[®]

greenworksccommercial.com

