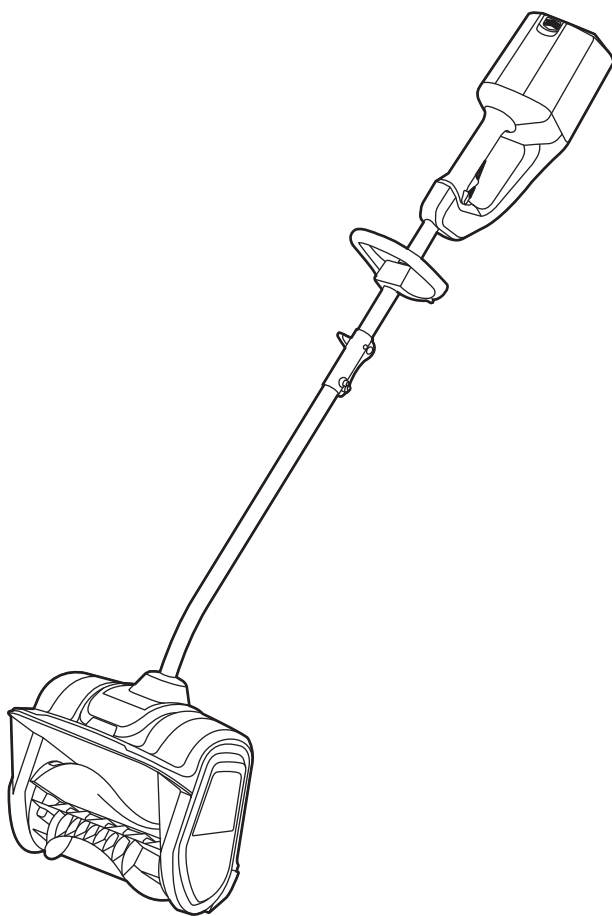


greenworks®

EN

SNOW SHOVEL

OPERATOR MANUAL



SSB403

www.greenworkstools.com

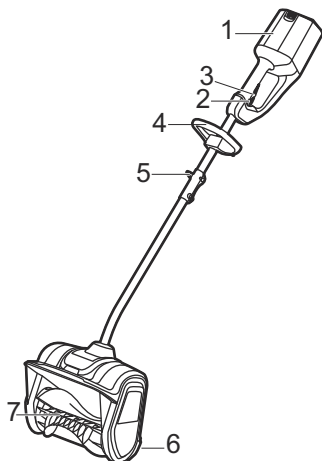
1	Description.....	4	6.1	Unpack the machine.....	7
1.1	Purpose.....	4	6.2	Attach the auxiliary handle.....	7
1.2	Overview.....	4	6.3	Attach the shaft.....	7
2	Safe Operation Practices for Snow Blowers and Snow Shovel.....	4	6.4	Install the battery pack.....	8
2.1	Battery tools use and care.....	4	6.5	Remove the battery pack.....	8
2.2	For all snow blowers.....	4	7	Operation.....	8
2.3	Training.....	5	7.1	Cold weather operation.....	8
2.4	Preparation.....	5	7.2	Start the machine.....	9
2.5	Operation.....	5	7.3	Stop the machine.....	9
2.6	Maintenance and storage.....	5	7.4	Operate the machine.....	9
3	Symbols on the product.....	6	8	Maintenance.....	9
4	Proposition 65.....	6	8.1	General maintenance.....	9
5	Environmentally safe battery disposal.....	6	8.2	Replace the scraper.....	10
6	Installation.....	7	8.3	Replace the impeller.....	10
			9	Transportation and storage....	12
			10	Troubleshooting.....	13
			11	Technical data.....	13
			12	Limited warranty.....	13

1 DESCRIPTION

1.1 PURPOSE

This machine is used to remove and clear away snow from sidewalks, driveways and other paved ground-level surfaces.

1.2 OVERVIEW



- 1 Battery compartment
- 2 Lock-out button
- 3 Trigger
- 4 Auxiliary handle
- 5 Lock knob
- 6 Scraper
- 7 Impeller

2 SAFE OPERATION PRACTICES FOR SNOW BLOWERS AND SNOW SHOVEL

▲ DANGER

This snow blower has the potential to cause severe injury, including amputation of hands and feet, as well as the ejection of objects. Failure to adhere to the following safety instructions may lead to serious harm.

2.1 BATTERY TOOLS USE AND CARE

▲ WARNING

Read all safety warnings and instructions. Failure to follow the warnings and instructions may result in electric shock, fire and/or serious injury.

- Prevent unintentional starting. Ensure the switch is in the off-position before connecting to battery pack, picking up or carrying the product. Avoid carrying the product with your finger on the switch or powering it with your finger on the switch, as this can lead to accidents.
- Disconnect the battery pack from the product before making any adjustments, changing accessories, or storing product. Such preventive safety measures reduce the risk of starting the product accidentally.
- When battery pack is not in use, keep it away from other metal objects, like paper clips, coins, keys, nails, screws or other small metal objects, that can make a connection from one terminal to another. Shorting the battery terminals together may cause burns or a fire.
- Avoid contact with liquid that may be ejected from the battery under abusive conditions. If contact occurs, flush with water and seek medical help if it gets into the eyes. Ejected liquid from the battery can cause irritation or burns.
- Do not use a battery pack or product that is damaged or modified. Damaged or modified batteries may exhibit unpredictable behavior resulting in fire, explosion, or risk of injury.
- Do not expose a battery pack or product to fire or excessive temperature. Temperatures above 265 °F (130 °C) can cause explosion.
- Follow all charging instructions and do not charge the battery pack or product outside of the temperature range specified in the instructions. Charging improperly or at temperatures outside of the specified range may damage the battery and increase the risk of fire.
- For service or repairs, consult your nearest service center that will use identical replacement parts to ensure the safety of the product.
- Do not modify or attempt to repair the product or the battery pack (as applicable) except as indicated in the instructions for use and care.

2.2 FOR ALL SNOW BLOWERS

- Do not use on graveled surfaces unless the snow blower is adjusted for such a surface in accordance with the operator's manual.
- Keep children away - Children and bystanders should remain at a safe distance while operating the product.
- Dress Appropriately - Avoid wearing loose clothing or jewelry that can get caught in moving parts. It is recommended to wear protective footwear when using this product.
- Operation of the snow blower in the hand-held position is unsafe, except in accordance with the special instructions for such use provided in the operator's manual.
- Keep hands away from moving parts.

- Keep guards in place and in working order.
- Avoid Overexerting the Product - The product performs better and safer when operated at its designated rate.
- Don't Overreach – Keep proper footing and balance at all times
- If the snow blower strikes a foreign object follow these steps:
 1. Stop snow blower. Release the switch.
 2. Remove the battery pack.
 3. Inspect for damage.
 4. Repair any damage before restarting and operating the snow blower.
- Disconnect Snow Blower– Disconnect the snow blower from the battery pack when not in use, before servicing, or changing accessories.
- Store Idle Snow Blowers Indoors.
- Maintain Snow Blowers With Care – Follow instructions for lubricating and changing accessories.
- Exercise extreme caution when operating on or crossing gravel drives, walks, or roads. Stay alert for hidden hazards or traffic.
- If the product strikes a foreign object, turn the snow shovel off and remove the battery pack, and then inspect it for damage. Repair any damage before restarting and using the snow shovel.
- If the product should start to vibrate abnormally, stop the engine (product) and carefully inspect the product. Vibration is generally a warning of trouble.
- Power off the product whenever you leave the operating position, before unclogging the collector/impeller housing or discharge guide, and when making any repairs, adjustments, or inspections.
- When cleaning, repairing, or inspecting, make certain the collector/impeller and all moving parts have stopped moving.
- Exercise extreme caution when operating on slopes.
- Never operate the snow blower without proper guards, and other safety protective devices in place and in working order.
- Never direct the discharge toward people or areas where property damage can occur. Keep children and others away.
- Do not overload the product capacity by attempting to clear snow at too quickly.
- Never operate the product at high transport speeds on slippery surfaces. Exercise caution when reversing.
- Make sure to power off when snow blower is transported or not in use.
- Use only attachments and accessories approved by the manufacturer (such as wheel weights, counterweights, or cabs).
- Never operate the snow blower without good visibility or light. Always be sure of your footing, and keep a firm hold on the handles. Walk, don't run.
- Never touch a hot engine or muffler.
- Never use your body parts to clear. Clearing a Clogged Discharge Chute.
- Sudden contact with the rotating impeller inside the discharge chute is the most common cause of injury associated with snow blowers. Never use your hand to clean out the discharge chute.

2.3 TRAINING

- Read the operating and service instruction manual carefully. Be thoroughly familiar with the controls and the proper use of the product. Know how to stop the product and disengage the controls quickly.
- Ensure that only trained individuals operate the snow blower, and never allow children to use it.
- Keep a clear area of operation, free from any individuals, especially small children and pets.
- Exercise caution to avoid slipping or falling, especially when operating in reverse.

2.4 PREPARATION

- Thoroughly inspect the area where the product is to be used and remove all doormats, sleds, boards, wires, and other foreign objects.
- Do not operate the product without wearing adequate winter garments. Wear protective footwear to improve footing on slippery surfaces.
- Adjust the collector housing height to clear gravel or crushed rock surface.
- Never attempt to make any adjustments while the product is running (except where specifically recommended by manufacturer).
- Always wear safety glasses or eye shields during operation or while making adjustments or repairs to protect eyes from foreign objects that may be thrown from the product.

2.5 OPERATION

- Do not put hands or feet near or under rotating parts. Keep clear of the discharge opening at all times.

To clear the chute:

1. SHUT THE ENGINE (Motor) OFF!
2. Wait 10 seconds to be sure the impeller blades have stopped rotating.
3. Always use a clean-out tool, not your hands.




2.6 MAINTENANCE AND STORAGE

- Check shear bolts and other bolts before and after every use for proper tightness to be sure the product is in safe working condition.

- Always refer to owner's guide instructions for important details if the snow blower is stored for an extended period.
- Maintain or replace safety and instructions labels, as necessary.
- Run the product a few minutes after throwing snow to prevent freeze-up of the collector/impeller.

3 SYMBOLS ON THE PRODUCT

Some of the following symbols may be used on this tool. Please study them and learn their meaning. Proper interpretation of these symbols will allow you to operate the tool better and safer.

Symbol	Explanation
	Direct current
	Precautions that involve your safety.
	Read and understand all instructions before operating the product, and follow all warnings and safety instructions.
	Wear eye protection.
	Thrown objects can ricochet and result in personal injury or property damage. Wear protective clothing and boots.
	Keep bystanders a safe distance from the machine.
	Keep hands away from the discharge area.
	Stay away from moving parts. Keep all guards and shields in place.
	Keep feet out of impeller. Keep feet away from rotating impeller.
	Stop the motor and remove the battery before leaving the product.
	Double insulation.

4 PROPOSITION 65

▲ WARNING

This product contains a chemical known to the state of California to cause cancer, birth defects or other reproductive harm. Some dust created by power sanding, sawing, grinding, drilling, and other construction activities contains chemicals known to cause cancer, birth defects or other reproductive harm. Some examples of these chemicals are:

- Lead from lead-based paints;
- Crystalline silica from bricks and cement and other masonry products;
- Arsenic and chromium from chemically treated lumber.

Your risk of exposure to these chemicals varies depending on how often you do this type of work. To reduce your exposure to these chemicals, work in a well-ventilated area, and work with approved safety equipment, such as dust masks that are specially designed to filter out microscopic particles.

Save these instructions.

5 ENVIRONMENTALLY SAFE BATTERY DISPOSAL



The toxic and corrosive materials below are in the batteries used in this machine: **Lithium-Ion, a toxic material.**

▲ WARNING

Discard all toxic materials in a specified manner to prevent contamination of the environment. Before discarding damaged or worn out Li-ion battery, contact your local waste disposal agency, or the local Environmental Protection Agency for information and specific instructions. Take the batteries to a local recycling and/or disposal center, certified for lithium-ion disposal.

▲ WARNING

If the battery pack cracks or breaks, with or without leaks, do not recharge it and do not use. Discard it and replace with a new battery pack. **DO NOT TRY TO REPAIR IT!** To prevent injury and risk of fire, explosion, or electric shock, and to avoid damage to the environment:

- Cover the terminals of the battery with heavy-duty adhesive tape.
- **DO NOT** try to remove or destroy any of the battery pack components.
- **DO NOT** try to open the battery pack.
- If a leak develops, the released electrolytes are corrosive and toxic. **DO NOT** get the solution in the eyes or on skin, and do not swallow it.
- **DO NOT** put these batteries in your regular household trash.
- **DO NOT** incinerate.
- **DO NOT** put them where they will become part of any waste landfill or municipal solid waste stream.
- Take them to a certified recycling or disposal center.

6 INSTALLATION**▲ WARNING**

Do not change or make accessories that are not recommended by the manufacturer.

▲ WARNING

Do not install the battery pack until you assemble all the parts.

6.1 UNPACK THE MACHINE**▲ WARNING**

Make sure that you correctly assemble the machine before use.

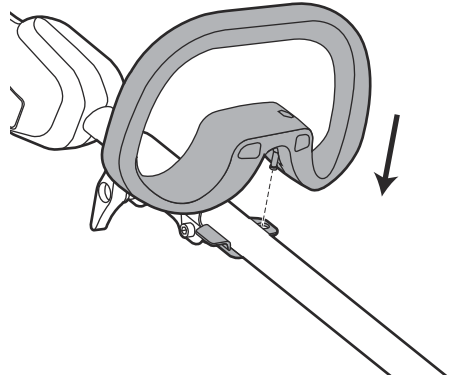
▲ WARNING

- If parts of the machine are damaged, do not use the machine.
- If you do not have all the parts, do not operate the machine.
- If parts are damaged or missing, contact the service center.

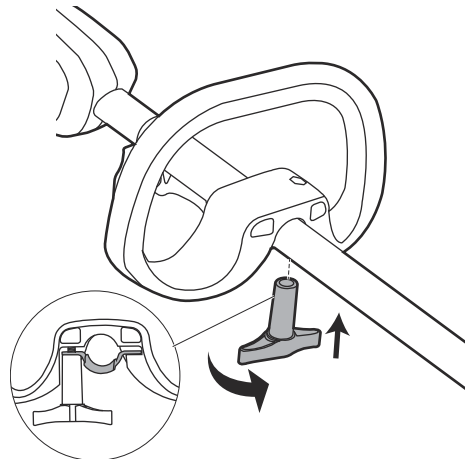
1. Open the package.
2. Read the documentation provided in the box.
3. Remove all the unassembled parts from the box.
4. Remove the machine from the box.
5. Discard the box and packing material in compliance with local regulations.

6.2 ATTACH THE AUXILIARY HANDLE

1. Push the auxiliary handle onto the shaft.

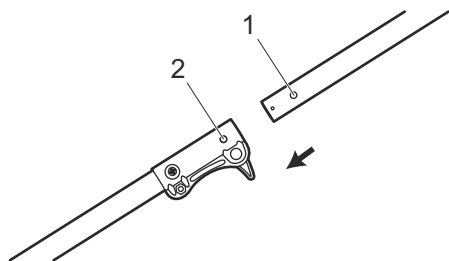


2. Set the auxiliary handle in the comfortable position.
3. Tighten the auxiliary handle with the knob.

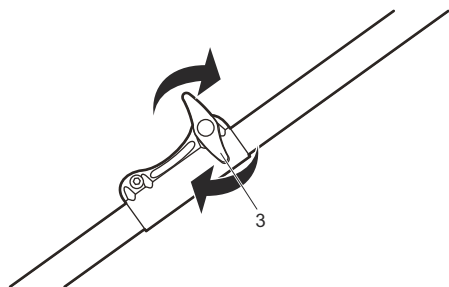
**6.3 ATTACH THE SHAFT****i NOTE**

If the button does not release fully in the location hole, the shafts are not locked into position. Turn from side to side until the button is locked into position.

1. Loosen the lock knob (3) on the coupler.
2. Align the release button (1) with the location hole (2) and move the two shafts together.



3. Turn the upper shaft until the release button (1) locks into the location hole (2).
4. Tighten the lock knob (3).

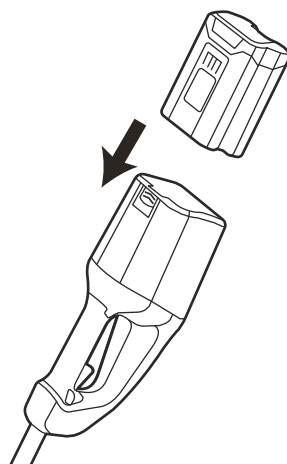


6.4 INSTALL THE BATTERY PACK

▲ WARNING

- If the battery pack or charger is damaged, replace the battery pack or the charger.
- Stop the machine and wait until the engine stops before you install or remove the battery pack.
- Read, know, and do the instructions in the battery and charger manual.

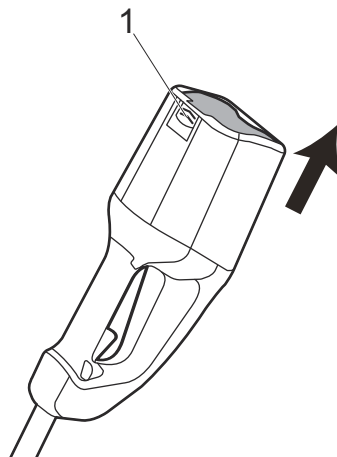
1. Align the lift ribs on the battery pack with the grooves in the battery compartment.
2. Push the battery pack into the battery compartment until the battery pack locks into place.



3. When you hear a click, the battery pack is installed.

6.5 REMOVE THE BATTERY PACK

1. Push and hold the battery release button (1).



2. Remove the battery pack from the machine.

7 OPERATION

▲ WARNING

Wear eye protection during operation.

7.1 COLD WEATHER OPERATION

The safe battery operation temperature ranges from 1°F (-17°C) to 113°F (45°C).

▲ WARNING

Do not store or charge battery outside.

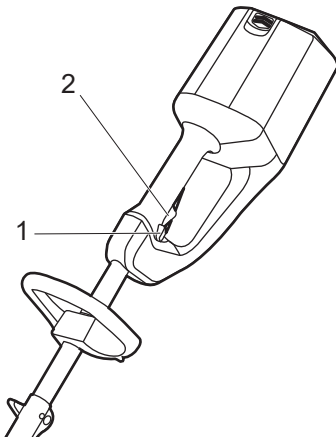
Battery must be charged and stored indoors prior to use of the machine.

If the machine does not start:

- remove the battery pack from the machine,
- charge the battery pack to 15 minutes in warm area, or when the charging light turns green.
- Install the battery pack back in the unit.

7.2 START THE MACHINE

1. Push and hold the lock-out button (1).
2. Pull the trigger (2) to start the machine.



3. Release the lock-out button (1).

▲ WARNING

Examine the work area. Remove all stones, sticks, wire, bones, and other debris that can ricochet because of the rotating impeller.

i NOTE

If it is possible, clear the snow in the direction of the wind.

7.3 STOP THE MACHINE

1. Release the trigger to stop the machine.

7.4 OPERATE THE MACHINE

1. Start the machine.
2. Push the machine forward until it rides on the scraper.

i NOTE

The forward speed is dependent on the depth and weight of the snow.

8 MAINTENANCE**▲ WARNING**

Remove the battery pack from the machine before maintenance.

▲ WARNING

Wear correct clothing, gloves and safety glasses before maintenance.

▲ CAUTION

Use only approved replacement parts.

▲ CAUTION

Do not let brake fluids, gasoline, petroleum-based materials touch the plastic parts. Chemicals can cause damage to the plastic, and make the plastic unserviceable.

▲ CAUTION

Do not use strong solvents or detergents on the plastic housing or components.

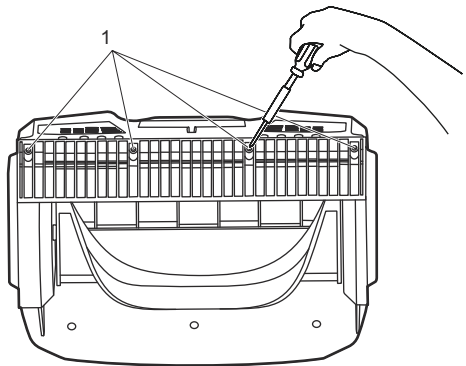
8.1 GENERAL MAINTENANCE

- Before each use, examine the machine for damaged, missing, or loose parts such as screws, nuts, bolts and caps.
- Tighten all the fasteners and caps correctly.

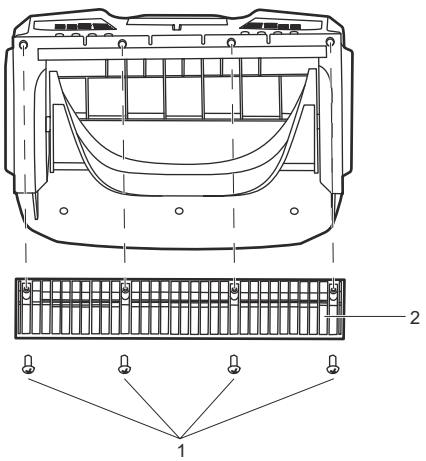
- Clean the remaining snow on the machine with a brush.

8.2 REPLACE THE SCRAPER

1. Put the machine on a flat, level surface.
2. Face up the impeller.
3. Remove the 4 screws below the impeller that attach the scraper (2) to machine.



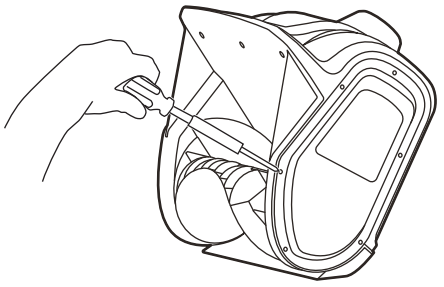
4. Remove the worn scraper (2).



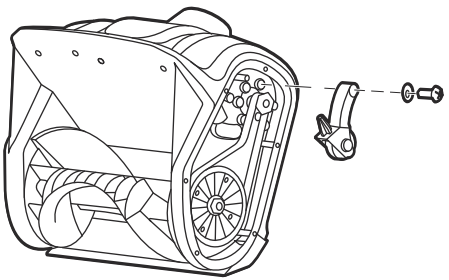
5. Install the new scraper (2).
6. Install and tighten the screws (1) that you removed.

8.3 REPLACE THE IMPELLER

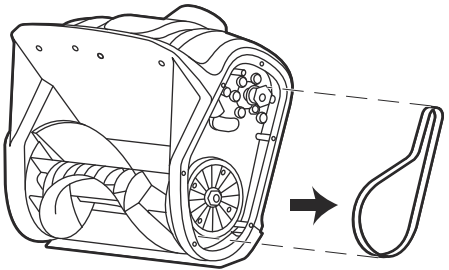
1. Remove 6 screws on the right side cover.



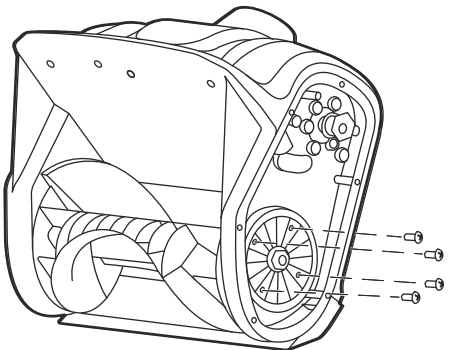
2. Pull the belt tensioner away from the engine pulley. Make sure that the washer, spring and screw are not missing.



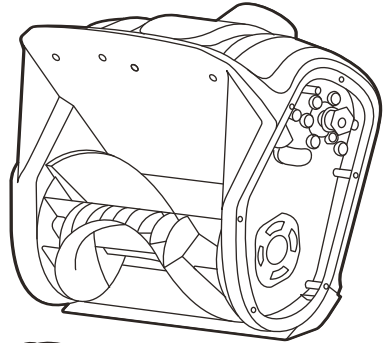
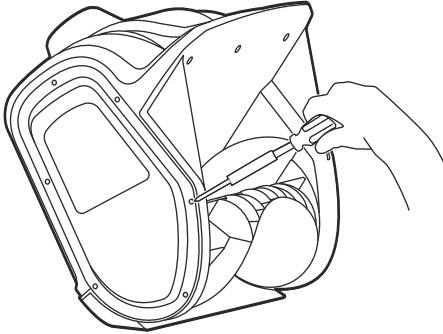
3. Remove the belt.



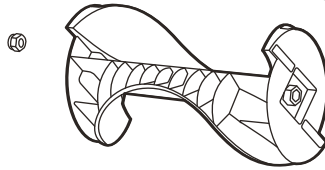
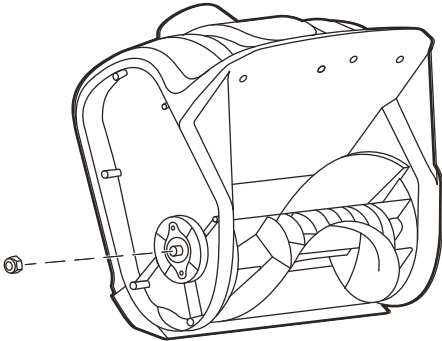
4. Remove the 4 screws.



5. Remove the 6 screws on the left side cover.

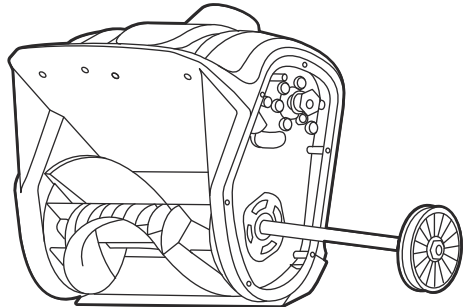
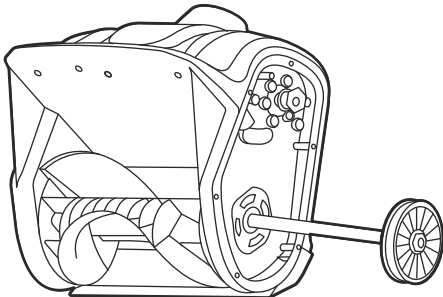


6. Remove the nut on the left side plate.

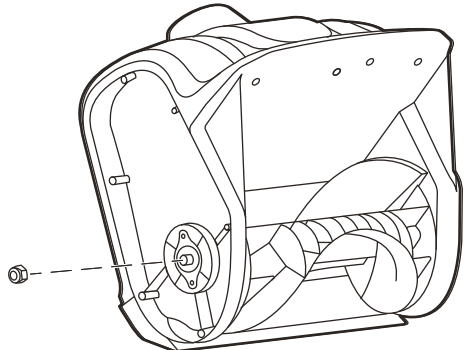


9. Install the impeller shaft with pulley assembly attached in the new impeller. Make sure that you replace the retained shaft sleeve on the left side of the shaft.

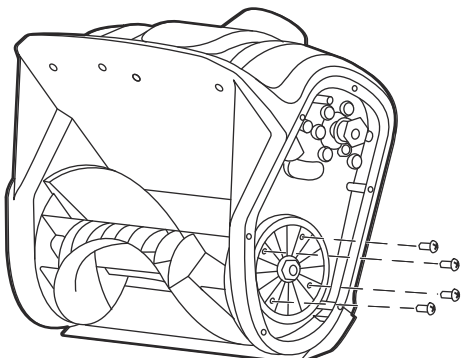
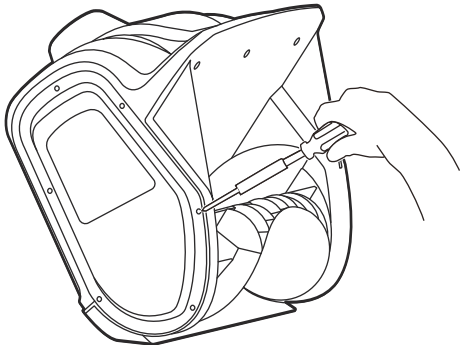
7. Remove the impeller shaft with pulley assembly attached.



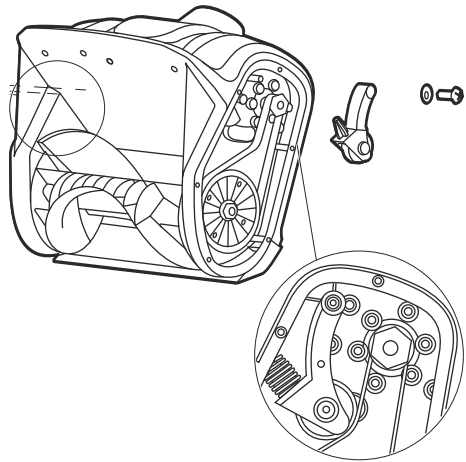
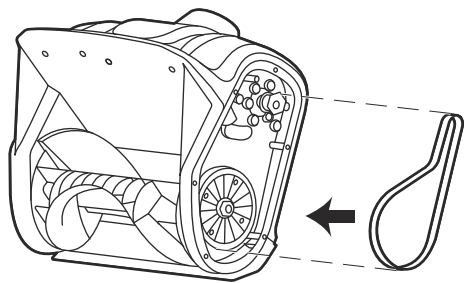
8. Remove the damaged impeller (13). Make sure that the shaft sleeve on the left side of the shaft is not missing.



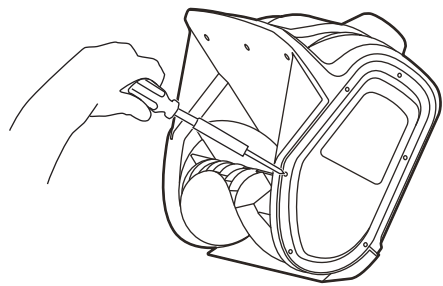
10. Replace and tighten the remaining nut on the left side plate assembly, screws on the left side cover and screws on the pulley assembly.



11. Put the belt and the belt tensioner into position.



12. Replace and tighten the remaining screws on the right side cover.



9 TRANSPORTATION AND STORAGE

- Clean the machine before storage.
- Make sure the engine is not hot when you stow the machine.
- Make sure that the machine does not have loose or damaged parts. If it is necessary, do these steps/ instructions:

- Replace the damaged parts.
- Tighten the bolts.
- Speak to a person of an approved service center.
- Stow the machine in a locked, dry area.
- Make sure that children cannot come near the machine.
- When you move the machine, hold it by the top handle and auxiliary handle.

10 TROUBLESHOOTING

Problem	Possible cause	Solution
The handle is not in position.	The bolts are not engaged correctly.	Adjust the height of the handle and make sure that the knobs and bolts are aligned correctly.
The machine does not start.	The battery is not charged.	Charge the battery by following the procedures in the battery and charger manual.
	The switch is defective.	Have the switch replaced by an authorized service center.
	Battery is too cold.	Remove battery from the snow shovel. Place battery on charger and allow to charge for 10 minutes or until the changing light turns green. Remove from charger and install in snow shovel for use.
	Battery may require service or replacement.	Call toll free helpline, at 1-855-345-3934 or replace battery.
The engine is on, but the impeller does not turn.	The belt is damaged.	Replace the belt.
A thin layer of snow stays behind.	The scraper is damaged.	Replace the scraper.

* If you cannot find the solution to these problems, call 1-855-345-3934.

11 TECHNICAL DATA

Voltage	80 V
No load speed	1800 RPM
Clearing width	12 in (30 cm)
Clearing depth	6 in. (15.2 cm)
Impeller size	11 in (27.8 cm)
Battery	2901302 and other BAB series
Charger	2901402 and other CAB series

12 LIMITED WARRANTY

90-Day Warranty

Renewed/Refurbished products and batteries are protected against all defects in materials, parts or workmanship under normal use for a period of 90 days from the shipping date or in-store purchase date. All sales are final, no returns.

ITEMS NOT COVERED BY WARRANTY:

1. Any part that has become inoperative due to misuse, commercial use, abuse, neglect, accident, improper maintenance, or alteration; or
2. The unit, if it has not been operated and/or maintained in accordance with the operator manual; or
3. Normal wear;
4. Routine maintenance items such as lubricants, blade sharpening;
5. Normal deterioration of the exterior finish due to use or exposure.

HELPLINE:

Warranty service is available by calling our toll-free helpline, at 1-855-345-3934.

TRANSPORTATION CHARGES:

Transportation charges for the movement of any power equipment unit or attachment are the responsibility of the purchaser. It is the purchaser's responsibility to pay transportation charges for any part submitted for replacement under this warranty unless such return is requested in writing by Greenworks.

USA address:

Greenworks Tools
P.O. Box 1238, Mooresville, NC 28115

Canadian address:

Greenworks Tools Canada, Inc.
P.O. Box 93095, Newmarket, Ontario, L3Y 8K3

Mexico address:

TECNOLOGIA CAMPO Y JARDIN S.A. DE C.V.
ADMINISTRADORES No. 5336 A, COL. ARCOS DE GUADALUPE, ZAPOPAN , JALISCO , C.P. 45037

greenworks[®]

www.greenworkstools.com

