

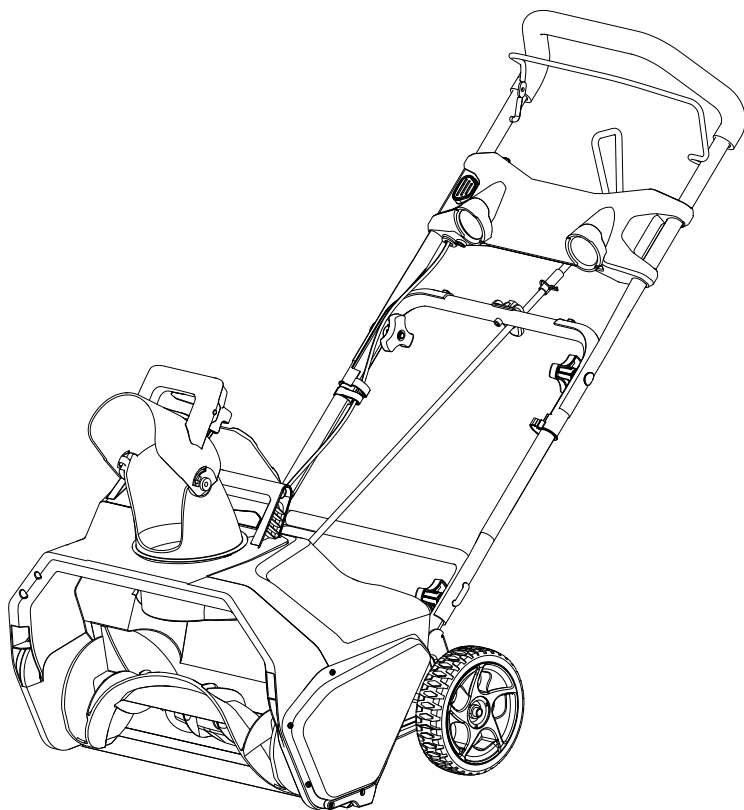
greenworks®

2601302

EN

SNOW THROWER

OPERATOR MANUAL



SNB401

www.greenworkstools.com

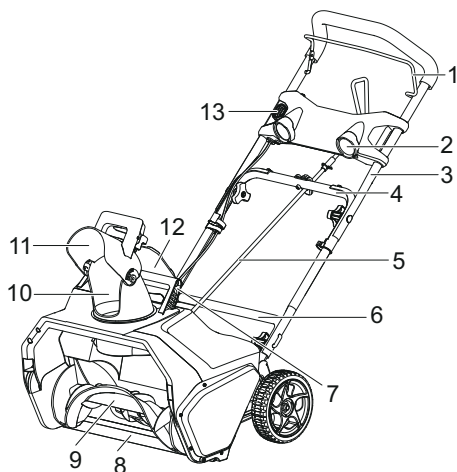
1	Description.....	4	7.4	Install the chute deflector.....	8
1.1	Purpose.....	4	7.5	Install the chute control rod.....	8
1.2	Overview.....	4	7.6	Install the battery pack.....	9
2	General power tool safety		7.7	Remove the battery pack.....	9
	warnings.....	4	8	Operation.....	9
2.1	Training.....	4	8.1	Cold weather operation.....	9
2.2	Preparation.....	4	8.2	Start the machine.....	10
2.3	Operation.....	5	8.3	Stop the machine.....	10
2.4	Maintenance.....	5	8.4	Adjust the discharge chute.....	10
2.5	Recommended ambient temperature range:.....	6	8.5	Adjust the chute deflector.....	10
3	Symbols on the product.....	6	8.6	LED headlights.....	11
4	Risk levels.....	6	8.7	Operation tips.....	11
5	Environmentally safe		9	Maintenance.....	11
	battery disposal.....	7	9.1	General maintenance.....	11
6	Proposition 65.....	7	9.2	Replace the scraper.....	11
7	Installation.....	7	9.3	Replace the impeller.....	12
7.1	Unpack the machine.....	7	9.4	Store the machine.....	14
7.2	Install the upper handle.....	8	10	Troubleshooting.....	15
7.3	Install the middle handle.....	8	11	Technical data.....	15
			12	Limited warranty.....	15

1 DESCRIPTION

1.1 PURPOSE

This machine is used to remove and clear away snow from pavements, gardens, driveways and other ground-level surfaces.

1.2 OVERVIEW



- | | |
|----|-------------------------|
| 1 | Bail lever |
| 2 | LED lights |
| 3 | Upper handle |
| 4 | Middle handle |
| 5 | Chute control rod |
| 6 | Lower handle |
| 7 | Carrying or lift handle |
| 8 | Scraper bar |
| 9 | Impeller |
| 10 | Discharge chute |
| 11 | Battery door |
| 12 | Chute deflector |
| 13 | Safety switch button |

2 GENERAL POWER TOOL SAFETY WARNINGS

▲ WARNING

Read all safety warnings and all instructions.
Failure to follow the warnings and instructions may result in electric shock, fire and/or serious injury.

Save all warnings and instructions for future reference.

The term "power tool" in the warnings refers to your battery-operated (cordless) power tool.

2.1 TRAINING

- Do not allow children under the age of 14 to operate this tool. Children who are 14 years of age or older must read and understand the operating instructions and safety rules in this manual and must be trained and supervised by a parent.
- Read the operating and service instruction manual carefully. Be thoroughly familiar with the controls and the proper use of the appliance. Know how to stop the unit and disengage the controls quickly.
- Never allow children to operate the appliance. Never allow adults to operate the appliance without proper instruction.
- Keep the area of operation clear of all persons, particularly small children, and pets.
- Exercise caution to avoid slipping or falling, especially when operating in reverse.
- Do not use on graveled surfaces.
- Dress Properly – Do not wear loose clothing or jewelry. They can be caught in moving parts.
- Wear rubber boots when operating the appliance.
- Operation of the appliance in the hand-held position is unsafe, except in accordance with the special instructions for such use provided in the operator's manual.

2.2 PREPARATION

- Thoroughly inspect the area where the appliance is to be used and remove all doormats, sleds, boards, wires, and other foreign objects.
- Do not operate the appliance without wearing adequate winter garments. Wear footwear, which will improve footing on slippery surfaces.
- Adjust the housing height to clear gravel or crushed rock surface.
- Never attempt to make any adjustments while the appliance is running (except where specifically recommended by manufacturer).
- Always wear safety glasses or eye shields during operation or while performing an adjustment or repair to protect eyes from foreign objects that may be thrown from the appliance.
- Prevent unintentional starting. Ensure the switch is in the off-position before connecting to battery pack, picking up or carrying the appliance. Carrying the appliance with your finger on the switch or energizing appliance that have the switch on invites accidents.
- Disconnect the battery pack from the appliance before making any adjustments, changing accessories, or storing appliance. Such preventive safety measures reduce the risk of starting the appliance accidentally.

- When battery pack is not in use, keep it away from the following metal objects: paper clips, coins, keys, nails, screws, and other small metal objects that can make a connection from one terminal to another. Shorting the battery terminals together may cause burns or a fire.
- Under abusive conditions, liquid may be ejected from the battery; avoid contact. If contact accidentally occurs, flush with water. If liquid contacts eyes, additionally seek medical help. Liquid ejected from the battery may cause irritation or burns.

2.3 OPERATION

- Do not put hands or feet near or under rotating parts. Keep clear of the discharge opening at all times.
- Exercise extreme caution when operating on or crossing gravel drives, walks, or roads. Stay alert for hidden hazards or traffic.
- After striking a foreign object, turn the machine off and remove the battery pack, and then inspect it for damage. Repair any damage before restarting and using the machine.
- If the appliance should start to vibrate abnormally, stop the machine and check immediately for the cause. Vibration is generally a warning of trouble.
- Stop the machine whenever you leave the operating position, before unclogging the collector/impeller housing or discharge guide, and when making any repairs, adjustments, or inspections.
- When cleaning, repairing, or inspecting, make certain the collector/impeller and all moving parts have stopped.
- Exercise extreme caution when operating on slopes.
- Never operate the appliance without proper guards, keep other safety protective devices in place and working.
- Never direct the discharge toward people or areas where property damage can occur. Keep children and others away.
- Don't Overreach – Keep proper footing and balance at all times.
- Do not overload the machine capacity by attempting to clear snow at too fast a rate.
- Don't Force appliance – It will perform better and safer at the rate for which it was designed.
- Never operate the appliance at high transport speeds on slippery surfaces. Use care when reversing.
- Never direct discharge at bystanders or allow anyone in front of the appliance.
- Disengage power to the collector/impeller when the appliance is transported or not in use.
- Use only attachments and accessories approved by the manufacturer of the appliance (such as wheel weights, counterweights, or cabs).

- Never operate the appliance without good visibility or light. Always be sure of your footing, and keep a firm hold on the handles.
- Walk, never run.
- The machine is not intended for use by persons (including children) with reduced physical, sensory or mental capabilities, or lack of experience and knowledge, unless they have been given supervision or instruction concerning use of the machine by a person responsible for their safety. Children should be supervised to ensure that they do not play with the machine.
- Clearing a Clogged Discharge Chute. Hand contact with the rotating impeller inside the discharge chute is the most common cause of injury associated with appliances. Never use your hand to clean out the discharge chute. To clear the chute:
 1. SHUT THE ENGINE (Motor) OFF!
 2. Wait 10 seconds to be sure the impeller blades have stopped rotating.
 3. Always use a clean-out tool, not your hands.
- If the appliance strikes a foreign object follow these steps:
 1. Stop the appliance. Release the switch.
 2. Remove the battery pack.
 3. Inspect for damage.
 4. Repair any damage before restarting and operating the appliance.

2.4 MAINTENANCE

- Check shear bolts; engine-mounted bolt, etc., at frequent intervals for proper tightness to be sure the appliance is in safe working condition.
- Always refer to owner's guide instructions for important details if the appliance is to be stored for an extended period.
- Store Idle appliances Indoors – When not in use, the appliances should be stored indoors in a dry, locked-up place – out of reach of children.
- Check shear bolts and other bolts at frequent intervals for proper tightness to be sure the equipment is in safe working condition.
- Run the appliance a few minutes after throwing snow to prevent freeze-up of the collector/impeller.
- Do not use a battery pack or appliance that is damaged or modified. Damaged or modified batteries may exhibit unpredictable behavior resulting in fire, explosion or risk of injury.
- Do not expose a battery pack or appliance to fire or excessive temperature space. Exposure to fire or temperature above 265°F (130°C) may cause explosion.
- Follow all charging instructions and do not charge the battery pack or appliance outside of the temperature range specified in the instructions. Charging improperly or at temperatures outside of

the specified range may damage the battery and increase the risk of fire.




- Recharge only with the charger specified by the manufacturer. A charger that is suitable for one type of battery pack may create a risk of fire when used with another battery pack.
- Use appliances only with specifically designated battery packs. Use of any other battery packs may create a risk of injury and fire.
- Have servicing performed by a qualified repair person using only identical replacement parts. This will ensure that the safety of the product is maintained.
- Do not modify or attempt to repair the appliance or the battery pack (as applicable) except as indicated in the instructions for use and care.
- Maintain appliance with care - follow instructions for changing accessories.
- Maintain or replace safety and instructions labels, as necessary.








2.5 RECOMMENDED AMBIENT TEMPERATURE RANGE:

Item	Temperature
Snow Thrower storage temperature range	1.4 °F (-17 °C) ~ 113 °F (45 °C)
Snow Thrower operation temperature range	1.4 °F (-17 °C) ~ 113 °F (45 °C)
Battery charging temperature range	32 °F (0 °C) ~ 113 °F (45 °C)
Charger operation temperature range	32 °F (0 °C) ~ 113 °F (45 °C)
Battery discharging temperature range	1.4 °F (-17 °C) ~ 113 °F (45 °C)
Battery storage temperature range	32 °F (0 °C) ~ 113 °F (45 °C)

3 SYMBOLS ON THE PRODUCT




Some of the following symbols may be used on this tool. Please study them and learn their meaning. Proper interpretation of these symbols will allow you to operate the tool better and safer.

Symbol	Explanation
	Direct current
	Precautions that involve your safety.
	Read and understand all instructions before operating the product, and follow all warnings and safety instructions.

Symbol	Explanation
	Wear eye protection.
	Thrown objects can ricochet and result in personal injury or property damage. Wear protective clothing and boots.
	Keep bystanders a safe distance from the machine.
	Keep hands away from the discharge area.
	Stay away from moving parts. Keep all guards and shields in place.
	Keep feet out of impeller. Keep feet away from rotating impeller.
	Stop the motor and remove the battery before leaving the product.

4 RISK LEVELS

The following signal words and meanings are intended to explain the levels of risk associated with this product.

SYM-BOL	SIGNAL	MEANING
	DANGER	Indicates an imminently hazardous situation, which, if not avoided, will result in death or serious injury.
	WARNING	Indicates a potentially hazardous situation, which, if not avoided, could result in death or serious injury.
	CAUTION	Indicates a potentially hazardous situation, which, if not avoided, may result in minor or moderate injury.
	CAUTION	(Without Safety Alert Symbol) Indicates a situation that may result in property damage.

5 ENVIRONMENTALLY SAFE BATTERY DISPOSAL



The toxic and corrosive materials below are in the batteries used in this machine: **Lithium-ion, a toxic material.**

▲ WARNING

Discard all toxic materials in a specified manner to prevent contamination of the environment. Before discarding damaged or worn-out Lithium-ion batteries, contact your local waste disposal agency, or the local Environmental Protection Agency for information and specific instructions. Take the batteries to a local recycling and/or disposal center, certified for Lithium-ion disposal.

▲ WARNING

If the battery pack cracks or breaks, with or without leaks, do not recharge it and do not use. Discard it and replace with a new battery pack. **DO NOT TRY TO REPAIR IT!** To prevent injury and risk of fire, explosion, or electric shock, and to avoid damage to the environment:

- Cover the terminals of the battery with heavy-duty adhesive tape.
- DO NOT try to remove or destroy any of the battery pack components.
- DO NOT try to open the battery pack.
- If a leak develops, the released electrolytes are corrosive and toxic. DO NOT get the solution in the eyes or on skin, and do not swallow it.
- DO NOT put these batteries in your regular household trash.
- DO NOT incinerate.
- DO NOT put them where they will become part of any waste landfill or municipal solid waste stream.
- Take them to a certified recycling or disposal center.

6 PROPOSITION 65

▲ WARNING

This product contains a chemical known to the state of California to cause cancer, birth defects or other reproductive harm. Some dust created by power sanding, sawing, grinding, drilling, and other construction activities contains chemicals known to cause cancer, birth defects or other reproductive harm. Some examples of these chemicals are:

- Lead from lead-based paints;
- Crystalline silica from bricks and cement and other masonry products;
- Arsenic and chromium from chemically treated lumber.

Your risk of exposure to these chemicals varies depending on how often you do this type of work. To reduce your exposure to these chemicals, work in a well-ventilated area, and work with approved safety equipment, such as dust masks that are specially designed to filter out microscopic particles.

Save these instructions.

7 INSTALLATION

▲ WARNING

Do not change or make accessories that are not recommended by the manufacturer.

▲ WARNING

Do not put in the safety key or the battery pack until you assemble all the parts.

7.1 UNPACK THE MACHINE

▲ WARNING

Make sure that you correctly assemble the machine before use.

▲ WARNING

- If the parts are damaged, do not use the machine.
- If you do not have all the parts, do not operate the machine.
- If the parts are damaged or missing, speak to the service center.

1. Open the package.
2. Read the documentation in the box.
3. Remove all the unassembled parts from the box.
4. Remove the machine from the box.
5. Discard the box and package in compliance with local regulations.

7.2 INSTALL THE UPPER HANDLE

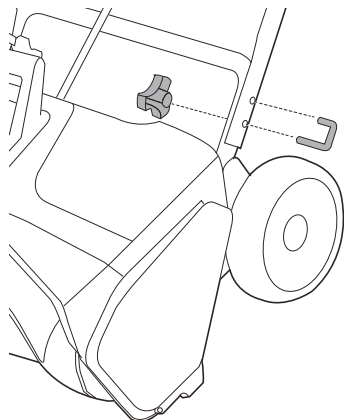
1. Align the holes in the middle handle and the upper handle.
2. Insert the bolt through the middle handle and upper handle.
3. Tighten the handle knob onto the bolt.



4. Repeat for left/right side.

7.3 INSTALL THE MIDDLE HANDLE

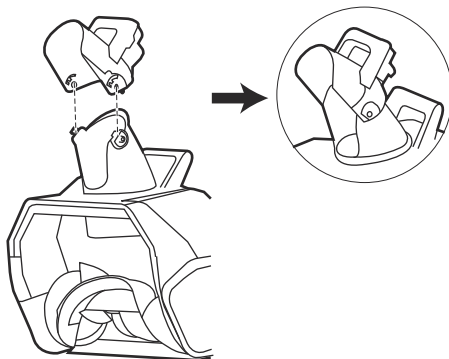
1. Align the holes in the middle handle and the lower handle.
2. Put the bolts through the middle handle and the lower handle.
3. Tighten the handle knob onto the bolt.



4. Repeat for left/right side.

7.4 INSTALL THE CHUTE DEFLECTOR

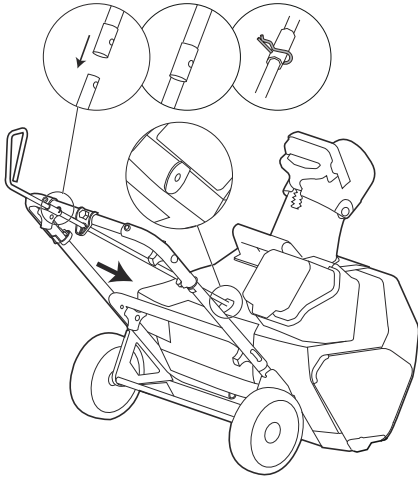
1. Align the tabs with the slots on one side first.
2. Push the chute deflector.



3. Once you have engaged one tab on one slot push until you hear a click. Repeat on other side.
4. Make sure that the tabs engage the slots on the two sides.

7.5 INSTALL THE CHUTE CONTROL ROD

1. Align the holes in the upper chute control rod and lower chute control rod.
2. Put the hitch pin through the holes.
3. Align the arrows in the discharge chute and snow thrower deck. Make sure that the discharge chute faces forward.
4. Put the end of the chute control rod straight through the hole in the bracket. Keep the grip handle down.
5. Push the chute control rod into the hole behind the deck.



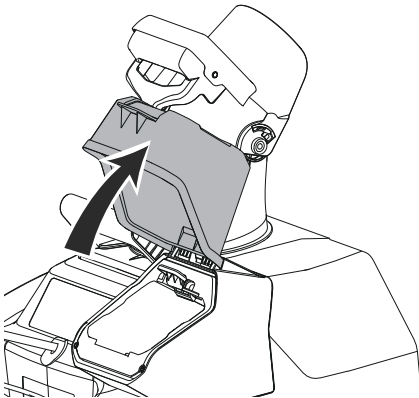
- Turn the grip handle left and right to make sure that the discharge chute moves in the same direction.

7.6 INSTALL THE BATTERY PACK

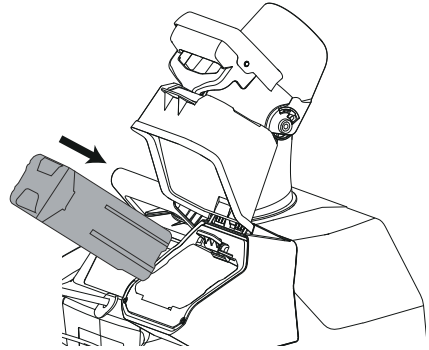
▲ WARNING

- If the battery pack or charger is damaged, replace the battery pack or the charger.
- Stop the machine and wait until the motor stops before you install or remove the battery pack.
- Read, know, and do the instructions in the battery and charger manual.

- Open the battery door.



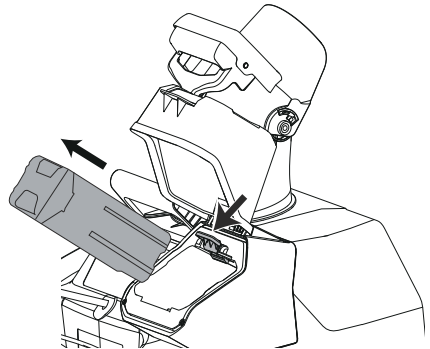
- Align the lift ribs on the battery pack with the grooves in the battery compartment.
- Push the battery pack into the battery compartment until the battery pack locks into place.



- When you hear a click, the battery pack is installed.
- Close the battery door.

7.7 REMOVE THE BATTERY PACK

- Open the battery door.
- Push and hold the battery release button.



- Remove the battery pack from the machine.

8 OPERATION

▲ WARNING

Wear eye protection during operation.

8.1 COLD WEATHER OPERATION

The safe battery operation temperature ranges from 1°F (-17°C) to 113°F (45°C).

▲ WARNING

Do not store or charge battery outside.

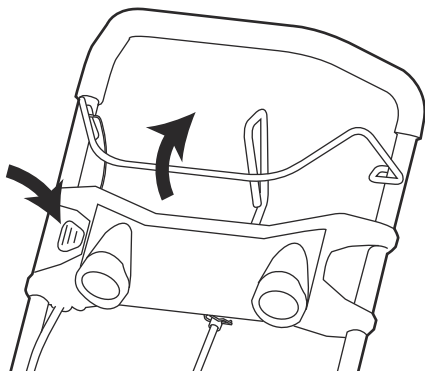
Battery must be charged and stored indoors prior to use of the machine.

If the machine does not start:

- remove the battery pack from the machine,
- charge the battery pack to 15 minutes in warm area, or when the charging light turns green.
- Install the battery pack back in the unit.

8.2 START THE MACHINE

1. Push the safety switch button.
2. Pull the bail switch to start the machine.



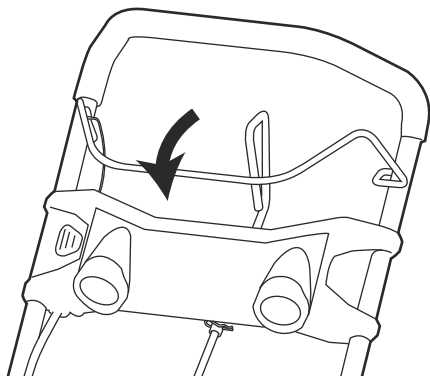
▲ WARNING

Keep bystanders a safe distance from the machine.

▲ WARNING

Examine the work area. Remove all stones, sticks, wire, bones, and other debris that can ricochet because of the rotating impeller.

8.3 STOP THE MACHINE



1. Release the bail switch to stop the machine.

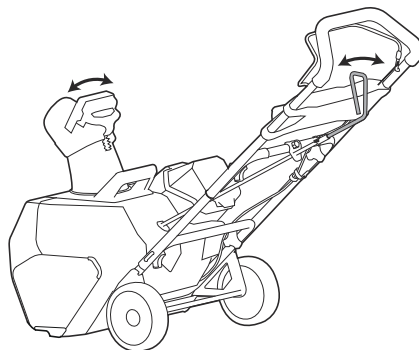
▲ WARNING

Wait until the impeller fully stops before you start the machine again. Do not quickly turn the machine off and on.

▲ WARNING

Remove the battery pack after you complete the work.

8.4 ADJUST THE DISCHARGE CHUTE



You can adjust the discharge chute 180° to change the snow direction.

1. Turn the grip handle left to move the discharge chute to the left.
2. Turn the grip handle right to move the discharge chute to the right.

8.5 ADJUST THE CHUTE DEFLECTOR

You can adjust the chute deflector up and down to change the throwing distance of the snow.

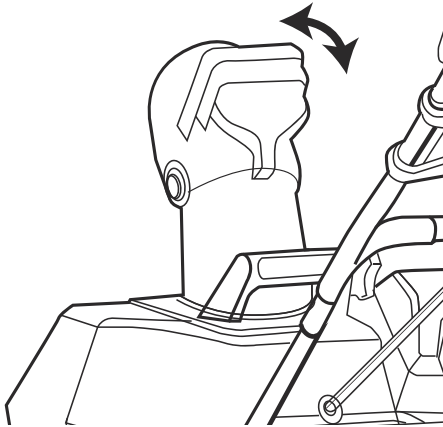
▲ WARNING

Release the bail switch before you adjust the chute deflector.

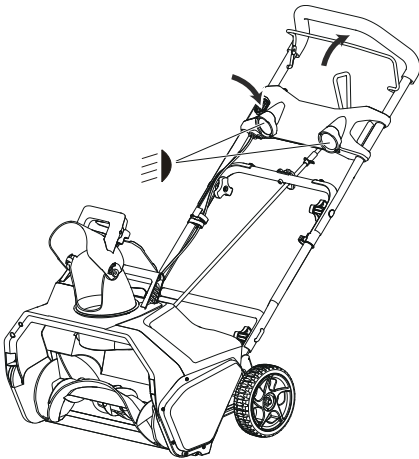
▲ WARNING

Do not push the handle so far forward that a gap shows between the deflector and the chute.

1. Push and hold the handle on the chute deflector.
2. Move the chute deflector up to increase the snow distance.
3. Move the chute deflector down to decrease the snow distance.



8.6 LED HEADLIGHTS



Turning the headlights on :

1. Push and hold the safety switch button .
2. Pull the bail lever in the direction of the handle bar to turn the headlights on.

Turning the headlights off :

3. Release the bail lever.

8.7 OPERATION TIPS

- If it is possible, clear the snow with the direction of the wind.
- In strong winds, lower the chute deflector to direct the snow to the ground.

- When you complete the work, let the machine operate for a while to prevent ice formation in the discharge chute.
- If the snow is deeper than 8", decrease the speed and let the machine work at its own rhythm.
- Do not use the scraper to remove compact snow and ice.

9 MAINTENANCE

▲ WARNING

Remove the battery pack from the machine before maintenance.

▲ CAUTION

Use only approved replacement parts.

▲ CAUTION

Do not let brake fluids, gasoline, petroleum-based materials touch the plastic parts. Chemicals can cause damage to the plastic, and make the plastic unserviceable.

▲ CAUTION

Do not use strong solvents or detergents on the plastic housing or components.

9.1 GENERAL MAINTENANCE

- Before each use, examine the machine for damaged, missing, or loose parts such as screws, nuts, bolts and caps.
- Tighten correctly all the fasteners and caps.
- Clean the remaining snow on the machine with a brush.

9.2 REPLACE THE SCRAPER

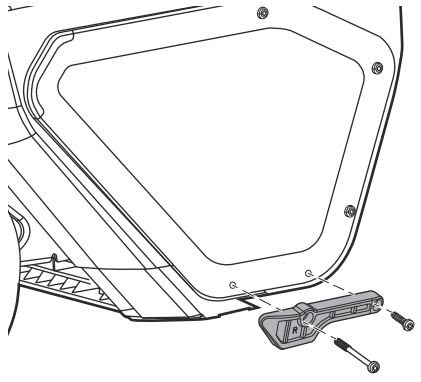
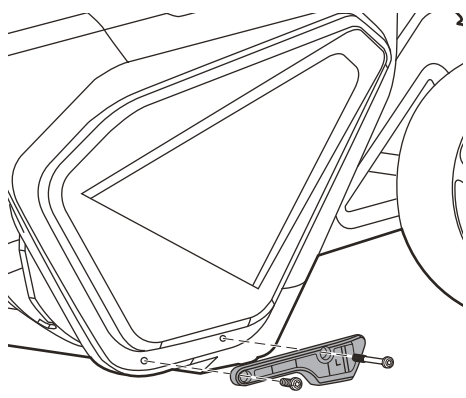
▲ WARNING

Use only approved replacement scrapers.

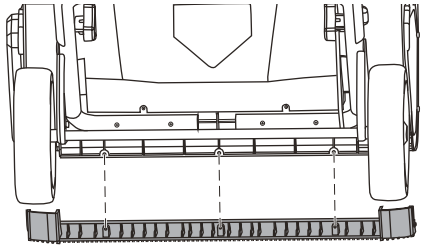
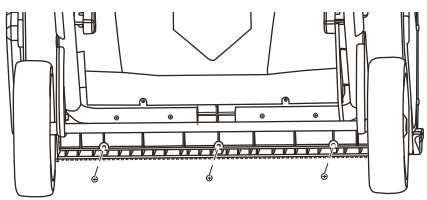
▲ WARNING

Wear heavy gloves or wind cloth around the blade when you touch the blade.

1. Remove the screws from each side plate.



2. Remove the mounting screws and spacers and discard the old scraper.



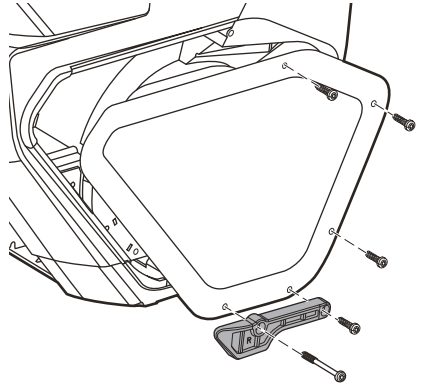
3. Install the new scraper.

4. Reinstall the mounting screws and spacers and tighten them.

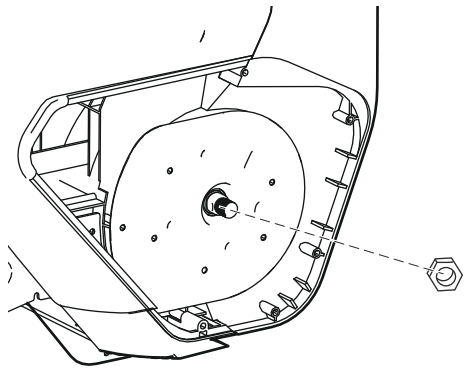
9.3 REPLACE THE IMPELLER

▲ WARNING
Use only approved replacement scrapers.

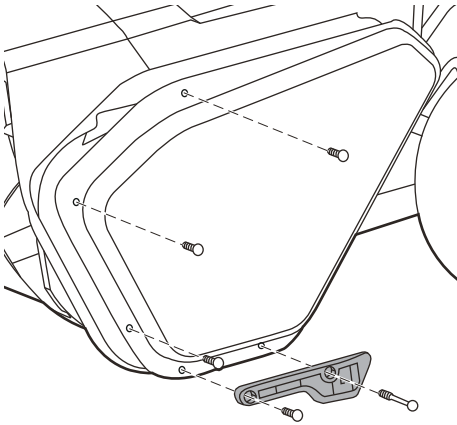
1. Remove the 5 screws and side wear pad that secure the right side cover.



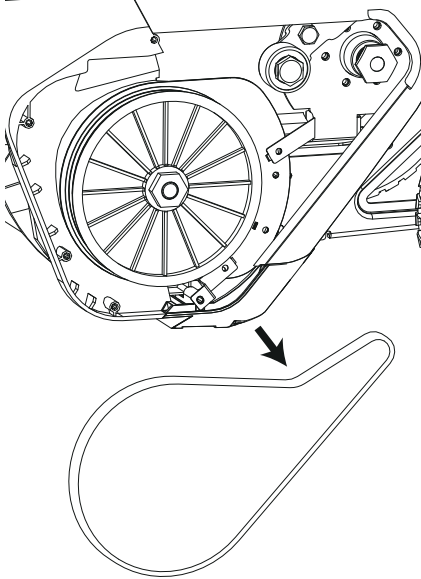
2. Remove the nut.



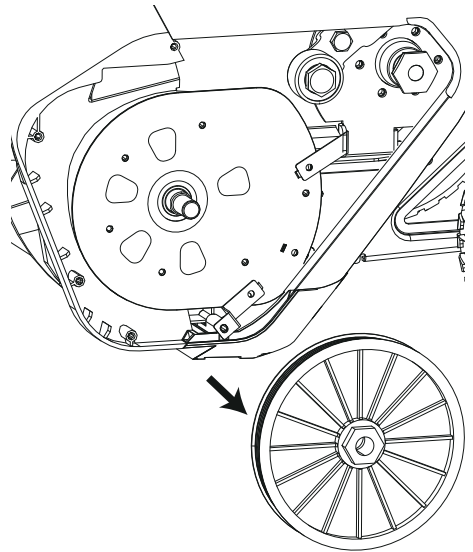
3. Remove the 5 screws and side wear pad that secure the left side cover.



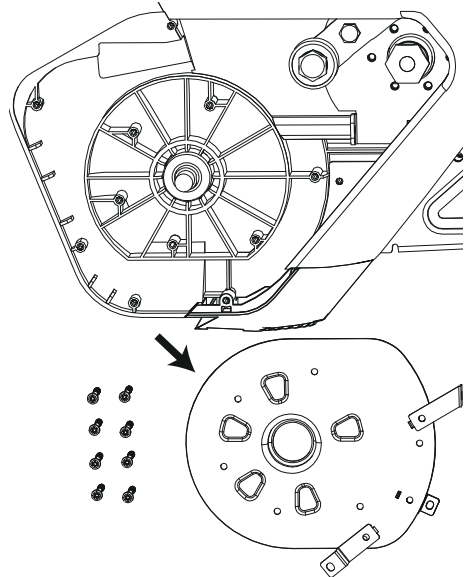
4. Remove the belt.



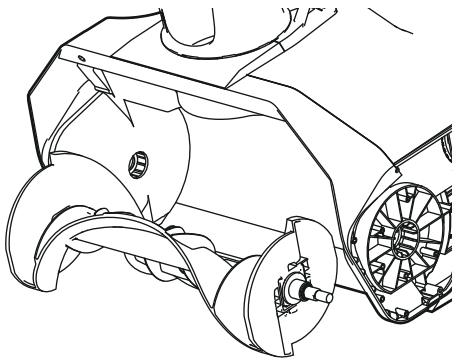
5. Using a socket wrench, remove the large pulley.



6. Remove the screws that secure the left side plate.

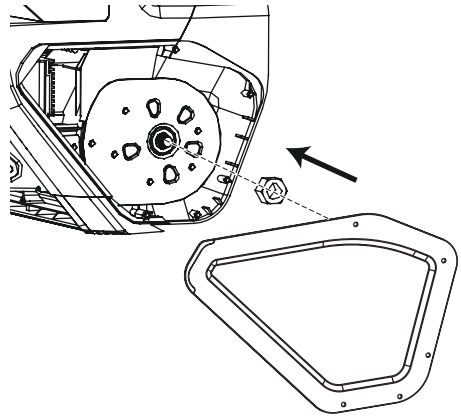


7. Pull the axle and remove the old impeller, install the new impeller.

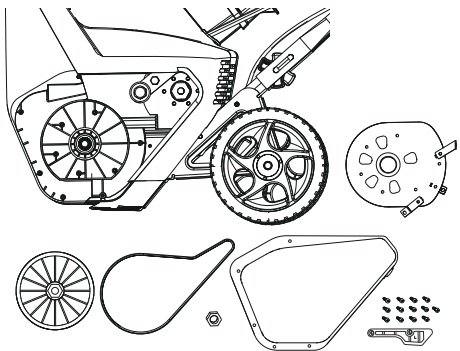


- Make sure the motor is not hot when you store the machine.
- Make sure that the machine does not have loose or damaged parts. If it is necessary, do these steps/ instructions:
 - Replace the damaged parts.
 - Tighten the bolts.
 - Speak to a person at an approved service center.
- Store the machine in a dry area.
- Make sure that children cannot come near the machine.

8. Reinstall the nut and right side cover.



9. Reinstall the left side plate, large pulley, belt and left side cover.



9.4 STORE THE MACHINE

- Clean the machine before storage.


10 TROUBLESHOOTING

Problem	Possible cause	Solution
The handle is not in position.	The bolts are not engaged correctly.	Adjust the height of the handle and make sure that the knobs and bolts are aligned correctly.
The machine does not start.	The battery is not charged.	Charge the battery by following the procedures in the battery and charger manual.
	The switch is defective.	Have the switch replaced by an authorized service center.
	Battery is too cold.	Remove battery from snow thrower. Place battery on charger and allow to charge for 10 minutes or until the changing light turns green. Remove from charger and install in snow thrower for use.
	Battery may require service or replacement.	Call toll free helpline, at 1-855-345-3934 or replace battery.
The engine is on, but the impeller does not turn.	The belt is damaged.	Replace the belt.
A thin layer of snow stays behind.	The scraper is damaged.	Replace the scraper.

* If you cannot find the solution to these problems, call 1-855-345-3934.

11 TECHNICAL DATA

Voltage	80 V
No load speed	1800 RPM
Clearing width	20 in. (50.8 cm)
Clearing depth	10 in. (25.4 cm)

Impeller size	16 in. (40.6 cm)
Weight (without battery and charger)	15.3 Kg (33.8 lbs)
Battery	2901302, BAB742 and other BAB series and other series
Charger	2901402, CAB813 and other CAB series and other series
Double-insulated construction	

12 LIMITED WARRANTY

90-Day Warranty

Renewed/Refurbished products and batteries are protected against all defects in materials, parts or workmanship under normal use for a period of 90 days from the shipping date or in-store purchase date. All sales are final, no returns.

ITEMS NOT COVERED BY WARRANTY:

1. Any part that has become inoperative due to misuse, commercial use, abuse, neglect, accident, improper maintenance, or alteration; or
2. The unit, if it has not been operated and/or maintained in accordance with the owner's manual; or
3. Normal wear;
4. Routine maintenance items such as lubricants, blade sharpening;
5. Normal deterioration of the exterior finish due to use or exposure.

HELPLINE:

Warranty service is available by calling our toll-free helpline, at 1-855-345-3934.

TRANSPORTATION CHARGES:

Transportation charges for the movement of any power equipment unit or attachment are the responsibility of the purchaser. It is the purchaser's responsibility to pay transportation charges for any part submitted for replacement under this warranty unless such return is requested in writing by Greenworks.

USA address:

Greenworks Tools
P.O. Box 1238, Mooresville, NC 28115

Canadian address:

Greenworks Tools Canada, Inc.
P.O. Box 93095, Newmarket, Ontario, L3Y 8K3

Mexico address:

TECNOLOGIA CAMPO Y JARDIN S.A. DE C.V.
ADMINISTRADORES No. 5336 A, COL. ARCOS DE
GUADALUPE, ZAPOPAN , JALISCO , C.P. 45037

greenworks®

www.greenworkstools.com

