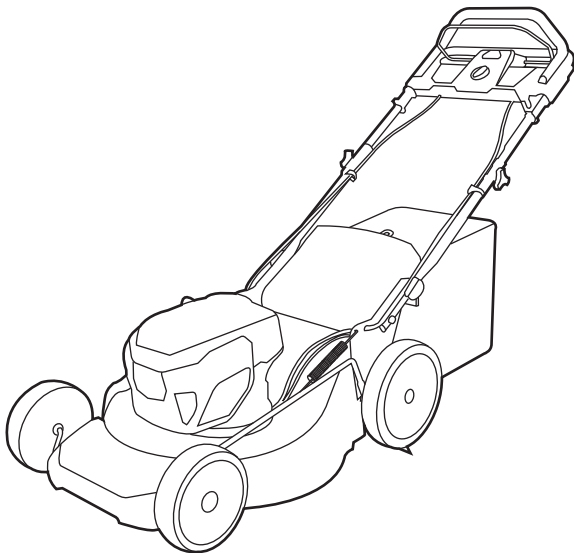


EN

LAWN MOWER

OPERATOR MANUAL



LMF415

www.greenworkstools.com

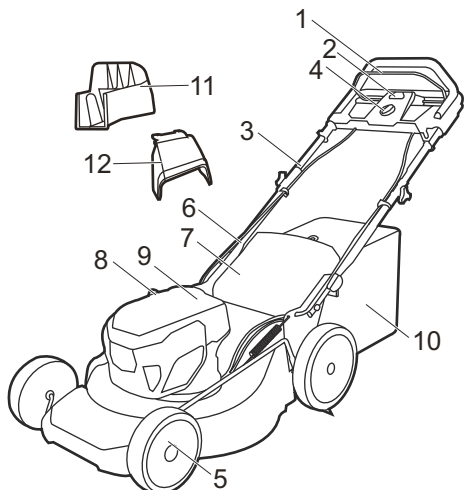
1	Description.....	4	3.9	Remove the battery pack.....	10
1.1	Purpose.....	4	4	Operation.....	10
1.2	Overview.....	4	4.1	Start the machine.....	10
1.3	Symbols on the product.....	4	4.2	Stop the machine.....	10
1.4	California Proposition 65.....	4	4.3	Operate the self-propel drive system.....	11
2	Safety.....	5	4.4	Empty the grass catcher.....	11
2.1	Risk levels.....	5	4.5	Operate on slopes.....	11
2.2	Lawnmower safety warnings.....	5	4.6	Operation tips.....	11
2.3	Safety instructions for maintenance.....	7	5	Maintenance.....	11
3	Installation.....	7	5.1	General maintenance.....	12
3.1	Unpack the machine.....	7	5.2	Replace the blade.....	12
3.2	Unfold the lower handle.....	7	5.3	Store the machine.....	12
3.3	Install the upper handle	8	5.4	Vertical storage.....	12
3.4	Install the grass catcher.....	8	6	Troubleshooting.....	13
3.5	Install the mulch plug.....	8	7	Technical data.....	13
3.6	Install the side discharge chute.....	9	8	Limited warranty.....	13
3.7	Set the cutting height.....	9			
3.8	Install the battery pack.....	10			

1 DESCRIPTION

1.1 PURPOSE

This machine is used for domestic lawn mowing. The cutting blade must be approximately parallel to the ground. All four wheels must touch the ground while you mow.

1.2 OVERVIEW



- 1 Bail switch
- 2 Start button
- 3 Upper handle
- 4 StepSense self-propel button
- 5 Wheel
- 6 Lower handle
- 7 Rear discharge door
- 8 Height adjustment lever
- 9 Battery door
- 10 Grass catcher
- 11 Mulch plug
- 12 Side discharge chute

1.3 SYMBOLS ON THE PRODUCT

Symbol	Explanation
	Precautions that involve your safety.

Symbol	Explanation
	To reduce the risk of injury, user must read instruction manual.
	Danger — Keep hands and feet away.
	WARNING — Beware of thrown objects — keep bystanders away.
	WARNING — Keep hand and feet away from the blades.
	WARNING — Disconnect all batteries before maintenance.

1.4 CALIFORNIA PROPOSITION 65




▲ WARNING

THIS PRODUCT CONTAINS OR EMITS A CHEMICAL KNOWN TO THE STATE OF CALIFORNIA TO CAUSE CANCER OR BIRTH DEFECTS OR OTHER REPRODUCTIVE HARM.

2 SAFETY

2.1 RISK LEVELS

The following signal words and meanings are intended to explain the levels of risk associated with this product.

SYMBOL	SIGNAL	MEANING
	DANGER	Indicates an imminently hazardous situation, which, if not avoided, will result in death or serious injury.
	WARNING	Indicates a potentially hazardous situation, which, if not avoided, could result in death or serious injury.
	CAUTION	Indicates a potentially hazardous situation, which, if not avoided, may result in minor or moderate injury.
	CAUTION	(Without Safety Alert Symbol) Indicates a situation that may result in property damage.

2.2 LAWNMOWER SAFETY WARNINGS

WARNING

Read all safety warnings, instructions, illustrations and specifications provided with this lawnmower. **Failure to follow all instructions listed below may result in electric shock, fire and/or serious injury.**

Save all warnings and instructions for future reference.

1) Work area safety

- a) **To avoid bystander contact with the moving blade or a thrown object injury, keep the area of operation clear of all bystanders, particularly small children. Stop the lawnmower and any attachment(s) if anyone enters the area. Contact with the moving blade or thrown objects may result in serious personal injury or death.**
- b) **Only operate the lawnmower in daylight or good artificial light. Dark areas invite accidents.**
- c) **Do not operate lawnmowers in explosive atmospheres, such as in the presence of flammable liquids, gases or dust. Lawnmowers create sparks which may ignite the dust or fumes.**
- d) **Do not use the lawnmower in bad weather conditions, especially when there is a risk of lightning. This decreases the risk of being struck by lightning.**

- e) **Thoroughly inspect the area where the lawnmower is to be used and remove all stones, sticks, wires, bones, and other foreign objects. Thrown objects can cause personal injury.**

2) Electrical safety

- a) **Do not expose the lawnmower to rain or wet conditions. Water entering a lawnmower may increase the risk of electric shock.**

3) Personal safety

- a) **Use personal protective equipment. Always wear eye protection. Protective equipment will reduce personal injuries.**
- b) **Dress properly. Do not wear loose clothing or jewelry. Keep your hair and clothing away from moving parts. Loose clothes, jewelry or long hair can be caught in moving parts.**
- c) **While operating the lawnmower, always wear long trousers. Exposed skin increases the likelihood of injury from thrown objects.**
- d) **While operating the lawnmower, always wear non-slip and protective footwear. Do not operate the lawnmower when barefoot or wearing open sandals. This reduces the chance of injury to the feet from contact with the moving blade**
- e) **Prevent unintentional starting. Ensure the switch is in the off-position before connecting to power source and/or batteries, picking up or carrying the lawnmower. Carrying a lawnmower with your finger on the switch or energizing a lawnmower that has the switch on invites accidents.**
- f) **Remove any adjusting key or wrench before turning the lawnmower on. A wrench or a key left attached to a rotating part of the lawnmower may result in personal injury.**
- g) **Keep proper footing and balance at all times. This enables better control of the lawnmower in unexpected situations.**
- h) **Stay alert, watch what you are doing and use common sense when operating a lawnmower. Do not use a lawnmower while you are tired or under the influence of drugs, alcohol or medication. A moment of inattention while operating a lawnmower may result in serious personal injury.**
- i) **Do not let familiarity gained from frequent use of lawnmower allow you to become complacent and ignore lawnmower safety principles. A careless action can cause severe injury within a fraction of a second.**
- j) **To avoid operator blade contact or a thrown object injury, stay in the operator zone behind the lawnmower handles. Blade contact or thrown objects may result in serious personal injury**
- k) **Do not touch blades and other hazardous moving parts while they are still in motion. This reduces the risk of injury from moving parts.**

4) Lawnmower use and care

a) Use the lawnmower and accessories in accordance with these instructions, taking into account the working conditions and the work to be performed. *Use of the lawnmower for operations different from those intended may result in a hazardous situation.*

b) Before using the lawnmower, always visually inspect to see that the blade(s) and the blade(s) assembly are properly secured and not worn or damaged. *Loose, worn, or damaged parts may increase the risk of injury.*

c) Keep guards and other safety devices in place, properly mounted, and in working order. *A guard or other safety device that is loose, damaged, or is not functioning correctly may result in personal injury.*

d) Keep all cooling air inlets clear of debris. *Blocked air inlets and debris may result in overheating or risk of fire.*

e) Do not use the lawnmower if the switch does not turn it on and off. *Any lawnmower that cannot be controlled with the switch is dangerous and must be repaired.*

f) Do not operate the lawnmower in wet grass. Walk, never run. *This reduces the risk of slipping and falling which may result in personal injury.*

g) Do not operate the lawnmower on excessively steep slopes. *This reduces the risk of loss of control, slipping and falling which may result in personal injury.*

h) Do not force the lawnmower. Use the correct lawnmower for your application. *The correct lawnmower will do the job better and safer at the rate for which it was designed.*

i) Be aware of the mower and attachment discharge direction and do not point the mower discharge at anyone. *Thrown objects can cause personal injury.*

j) Use extreme caution when reversing or pulling the lawnmower towards you. Always be aware of your surroundings. *This reduces the risk of tripping during operation.*

k) When working on slopes, always be sure of your footing, always work across the face of slopes, never up or down and exercise extreme caution when changing direction. *This reduces the risk of loss of control, slipping and falling which may result in personal injury.*

l) Operate the disabling device and/or remove all battery packs, if removable, from the lawnmower before making any adjustments, changing accessories, or storing the lawnmower. *Such preventive safety measures reduce the risk of starting the lawnmower accidentally.*

m) Keep handles and grasping surfaces dry, clean and free from oil and grease. *Slippery handles and grasping surfaces do not allow for*

safe handling and control of the lawnmower in unexpected situations.

n) Check the grass catcher frequently for wear or deterioration. *A worn or damaged grass catcher may increase the risk of personal injury.*

o) Before removing the grass catcher, turn off the motor and wait until the blade(s) comes to a complete stop. *The cutting blade(s) continues to rotate after the blade control is released. Never place any part of the body in the blade(s) area until you are certain the motor is off and the blade(s) has stopped rotating. Contact with the moving cutting blade(s) may result in serious personal injury.*

p) Before unclogging the chute, turn off the motor, wait until the blade(s) comes to a complete stop, operate the disabling device and/or remove all batteries, if removable. *The cutting blade(s) continues to rotate after the blade control is released. Never place any part of the body in the blade(s) area until you are certain the motor is off and the blade(s) has stopped rotating. Contact with the moving cutting blade(s) may result in serious personal injury.*

q) Before cleaning or inspecting the lawnmower, turn off the motor, wait until the blade(s) comes to a complete stop, operate the disabling device and/or remove all batteries, if removable. *Accidental contact with the moving blade and moving parts may result in personal injury.*

r) Maintain the lawnmower and accessories. *Check for misalignment or binding of moving parts, breakage of parts and any other condition that may affect the lawnmower's operation. If damaged, have the lawnmower repaired before use. Many accidents are caused by poorly maintained lawnmowers.*

s) Store idle lawnmowers out of the reach of children and do not allow persons unfamiliar with the lawnmower or these instructions to operate the lawnmower. *Lawnmowers are dangerous in the hands of untrained users.*

5) Battery lawnmower use and care

a) Use lawnmowers only with specifically designated battery packs. *Use of any other battery packs may create a risk of injury and fire.*

b) Recharge only with the charger specified by the manufacturer. *A charger that is suitable for one type of battery pack(s) may create a risk of fire when used with another battery pack(s).*

c) Follow all charging instructions and do not charge the battery pack(s) or lawnmower outside the temperature range specified in the instructions. *Charging improperly or at temperatures outside the specified range may damage the battery and increase the risk of fire.*

d) Do not use a battery pack or lawnmower that is damaged or modified. *Damaged or modified*

batteries may exhibit unpredictable behavior resulting in fire, explosion or risk of injury.

e) Do not expose a battery pack(s) or lawnmower to fire or excessive temperature. Exposure to fire or temperature above 265°F (130 °C) may cause explosion.

f) Under abusive conditions, liquid may be ejected from the battery(ies); avoid contact. If contact accidentally occurs, flush with water. If liquid contacts eyes, additionally seek medical help. Liquid ejected from the battery(ies) may cause irritation or burns.

g) When battery packs are not in use, keep them away from other metal objects, like paper clips, coins, keys, nails, screws or other small metal objects that can make a connection from one terminal to another. Shorting the battery terminals together may cause burns or a fire.

6) Service

a) Have your lawnmower serviced by a qualified repair person using only identical replacement parts. This will ensure that the safety of the lawnmower is maintained. Use of parts which do not meet the original equipment specifications may lead to improper performance and compromise safety.

b) Never service damaged battery packs. Service of battery packs should only be performed by the manufacturer or authorized service providers.

2.3 SAFETY INSTRUCTIONS FOR MAINTENANCE

- To prevent accidental start during maintenance, always turn off the product and remove the battery. Wait for at least 5 seconds before starting any maintenance work.
- Follow the maintenance instructions correctly to increase the product's lifetime and reduce the risk of accidents. Professional repairs must be done by a technician at an approved service center.
- Only perform the maintenance tasks listed in the operator's manual. Any other maintenance work should be done by a technician.
- Wear heavy-duty gloves when using the cutting equipment to prevent injuries from the sharp blade.
- Keep the cutting edges clean and sharp for optimal and safe performance.
- If you are experiencing difficulties with maintenance, have a service technician conduct regular inspections of the product and make any necessary adjustments and repairs.
- Replace any damaged, worn, or broken parts immediately.
- Follow the manufacturer's instructions when changing accessories. Only use accessories approved by the manufacturer.

- When not in use, store the product, battery, and battery charger in a dry, indoor, and locked area. Keep the product, battery, and battery charger out of the reach of children and unauthorized persons.

Save these instructions

3 INSTALLATION

▲ WARNING

Do not change or make accessories that are not recommended by the manufacturer.

▲ WARNING

Do not install battery pack until you assemble all the parts.

3.1 UNPACK THE MACHINE

▲ WARNING

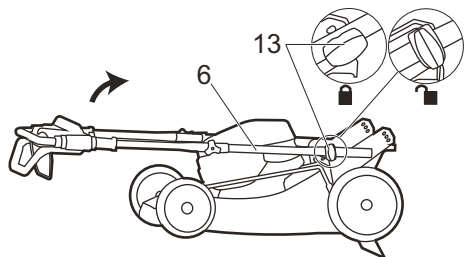
Make sure that you correctly assemble the machine before use.

▲ WARNING

- If the parts are damaged, do not use the machine.
- If you do not have all the parts, do not operate the machine.
- If the parts are damaged or missing, speak to the service center.

1. Open the package.
2. Read the documentation in the box.
3. Remove all the unassembled parts from the box.
4. Remove the machine from the box.
5. Discard the box and package in compliance with local regulations.

3.2 UNFOLD THE LOWER HANDLE



1. Pull and turn the handle knobs(13) 90°.
2. Unfold the lower handle(6).
3. Line up the handle knobs in one of the three positions on the brackets.

- Turn the handle knobs 90° until they engage the holes in the brackets.

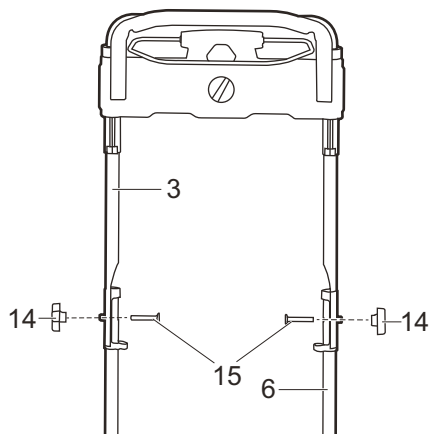
i NOTE

Make sure that the two handle knobs are in the same position.

▲ WARNING

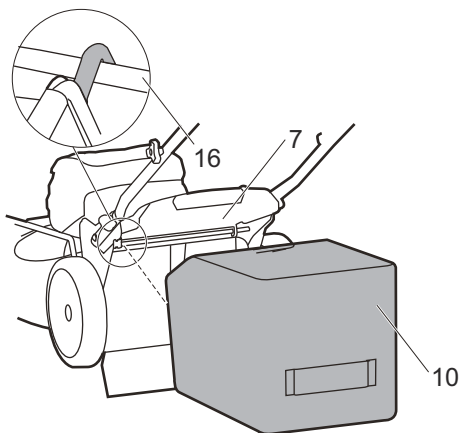
Do not damage or pinch the cables when you fold or unfold the handle.

3.3 INSTALL THE UPPER HANDLE



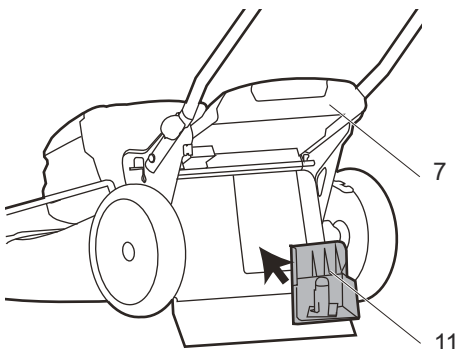
- Align the holes in the upper handle (3) and the lower handle (6).
- Put the bolts (15) through the holes.
- Tighten the knobs (14) onto the bolts.
- Do the same operation on the other side.

3.4 INSTALL THE GRASS CATCHER



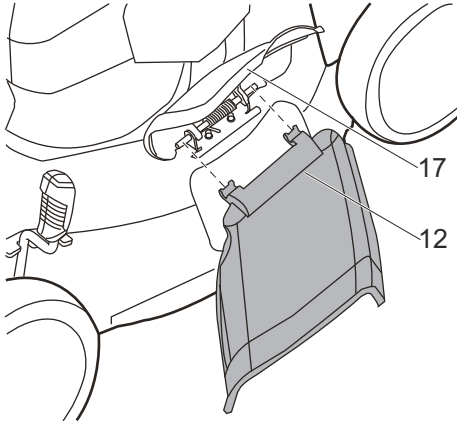
- Remove the mulch plug.
- Remove the side discharge chute.
- Open the rear discharge door (7) and hold it.
- Hold the the grass catcher (10) by its handle and engage the hooks on the door rod (16).
- Close the rear discharge door.

3.5 INSTALL THE MULCH PLUG



- Remove the grass catcher.
- Open the rear discharge door (7) and hold it.
- Hold the mulch plug (11) by its handle and fit it in the discharge chute.
- Close the rear discharge door.

3.6 INSTALL THE SIDE DISCHARGE CHUTE



▲ CAUTION

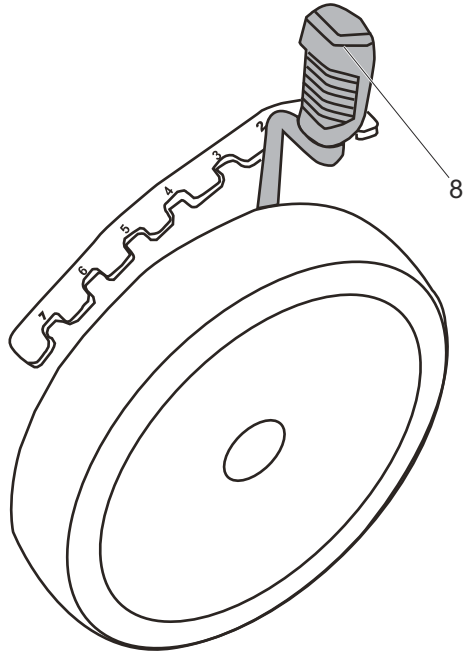
When you use the side discharge chute,

- Do not install the grass catcher.
- Keep the mulch plug installed.

1. Open the side discharge door (17) and hold it.
2. Line up the recesses of the side discharge chute (12) below the pivot.
3. Close the side discharge door.

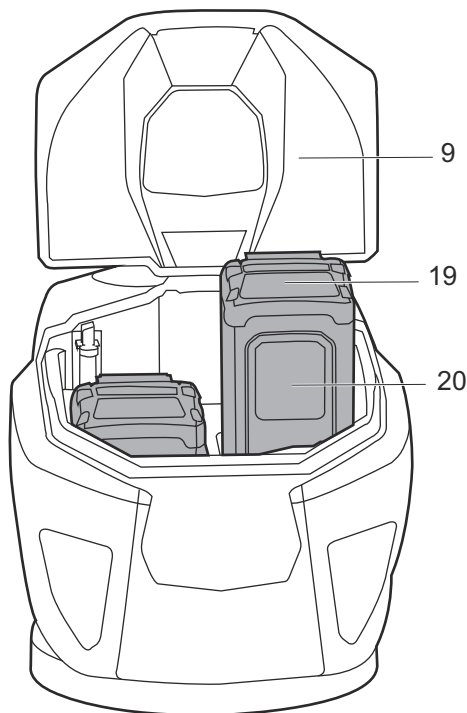
3.7 SET THE CUTTING HEIGHT

The machine can be set to different cutting heights.



1. Pull the height adjustment lever (8) rearward to increase the cutting height.
2. Pull the height adjustment lever forward to decrease the cutting height.

3.8 INSTALL THE BATTERY PACK



▲ WARNING

- If the battery pack or charger is damaged, replace the battery pack or the charger.
- Stop the machine and wait until the engine stops before you install or remove the battery pack.
- Read, know, and do the instructions in the battery and charger manual.

i NOTE

The machine has an automatic switch function that lets the other battery work when the first cannot operate.

1. Open the battery door (9).
2. Align the lift ribs on the battery pack (20) with the grooves in the battery compartment.
3. Push the battery pack into the battery compartment until the battery pack locks into place.
4. When you hear a click, the battery pack is installed.
5. Close the battery door.

3.9 REMOVE THE BATTERY PACK

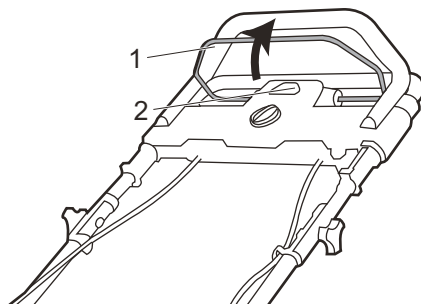
1. Open the battery door (9).
2. Push and hold the battery release button (19).
3. Remove the battery pack from the machine.

4 OPERATION

▲ WARNING

Wear eye protection during operation.

4.1 START THE MACHINE



1. Push and hold the start button (2).
2. While you hold the start button, pull the bail switch (1) in the direction of the handle bar.
3. Release the start button to start the machine.

Soft-Start

This Li-ion machine has a "soft-start" feature.

When you start the machine, it goes to full speed after approximately 3 seconds.

i NOTE

If the machine does not start, remove the battery pack and examine the mower deck to make sure that:

- no grass catches on the blade.
- the blade can turn freely by hand.

4.2 STOP THE MACHINE

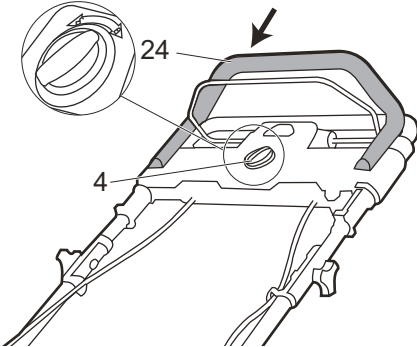
1. Release the bail switch to stop the machine.

▲ WARNING

Wait until the blades fully stop before you start the machine again. Do not quickly turn the machine off and on.

▲ WARNING

Always remove the battery pack after you complete the work.

4.3 OPERATE THE SELF-PROPEL DRIVE SYSTEM

1. Start the machine.
2. While you hold the bail switch (1), turn the StepSense self-propel button (4) to the unlocked position to open the self-propel system.
3. Grab the handle (24) and push it to start self-propel drive. The mower runs at the highest speed when the handle is in the lowest position.
4. Turn the StepSense self-propel button to the locked position to close the self-propel system.

To engage the self-propel drive system while the mower is not running:

- Turn the StepSense self-propel button to the unlocked position.

4.4 EMPTY THE GRASS CATCHER

1. Stop the machine.
2. Remove the battery pack.
3. Open the rear discharge door and hold it.
4. Hold the grass catcher by its handle and unhook it from the door rod.
5. Close the rear discharge door.
6. Empty the grass catcher.

4.5 OPERATE ON SLOPES**▲ WARNING**

Do not mow on the slopes with incline more than 15°. If you are not comfortable, do not mow on a slope.

▲ WARNING

Please keep a low self-propelled speed when you mow on a slope.

- Do not go up and down on a slope, mow across the face of the slope. Be careful when you change the direction on a slope.
- Monitor the holes, ruts, rocks, and other hidden objects that can cause you to fall. Remove all obstacles such as rocks and tree limbs.
- Make sure that your footing is stable. If you are out of balance, release the bail switch immediately.
- Do not mow near drop-offs, ditches, or embankments.

4.6 OPERATION TIPS

- Do not try to override the operation of the start button or bail switch.
- Do not tilt the machine when you start it.
- Do not put hands or feet near or below the turning parts.
- Keep the discharge chute clean.
- Do not cut wet grass.
- Higher blade height is necessary for new or thick grass.
- Clean the bottom of the mower deck after each use. Remove grass clippings, leaves, dirt, and other debris.

5 MAINTENANCE**▲ WARNING**

Remove the battery pack from the machine before maintenance.

▲ WARNING

Keep the motor and battery pack free from grass, leaves or too much grease.

▲ CAUTION

Use only approved replacement parts.

▲ CAUTION

Do not let brake fluids, gasoline, petroleum-based materials touch the plastic parts. Chemicals can cause damage to the plastic, and make the plastic unserviceable.

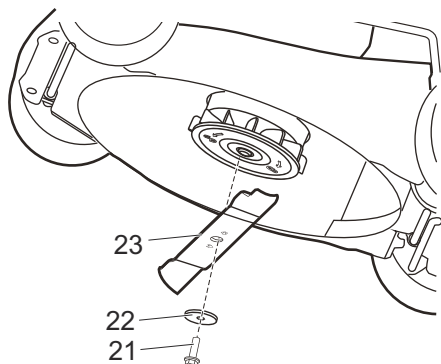
▲ CAUTION

Do not use strong solvents or detergents on the plastic housing or components.

5.1 GENERAL MAINTENANCE

- Before each use, examine the machine for damaged, missing, or loose parts such as screws, nuts, bolts and caps.
- Tighten correctly all the fasteners and caps.
- Clean the machine with a dry cloth. Do not use water.

5.2 REPLACE THE BLADE



▲ WARNING

Use only approved replacement blades.

▲ WARNING

Wear heavy gloves or wind cloth around the blade when you touch the blade.

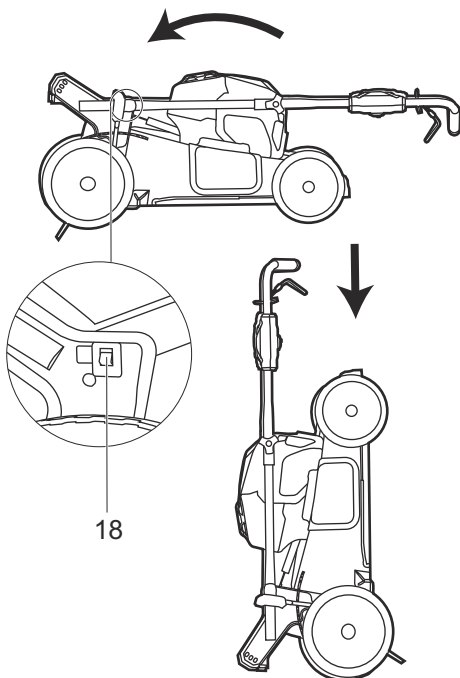
1. Stop the machine.
2. Make sure that the blade (23) is fully stopped.
3. Turn the machine on its side.
4. Use a piece of wood to prevent the movement of the blade.
5. Remove the mounting screw (21) and spacer (22) with a wrench or socket.
6. Remove the blade.
7. Install the new blade. Make sure that the arrows engage the holes in the blade.
8. Put in the mounting screw and tighten it.

5.3 STORE THE MACHINE

- Clean the machine before storage.
- Make sure the motor is not hot when you store the machine.
- Make sure that the machine does not have loose or damaged parts. If it is necessary, do these steps/ instructions:
 - Replace the damaged parts.

- Tighten the bolts.
- Speak to a person at an approved service center.
- Store the machine in a dry area.
- Make sure that children cannot come near the machine.

5.4 VERTICAL STORAGE



1. Remove the grass catcher.
2. Pull and turn the handle knobs 90°.
3. Fold down the handle.
4. Turn the handle knobs 90° to lock the handle into position.
5. Stand the machine on end and make sure that the brackets touch the floor.

Storage Switch

The machine has a storage switch (18) that prevents its start-up in the storage position.

6 TROUBLESHOOTING

Problem	Possible cause	Solution
The handle is not in position.	The bolts are not engaged correctly.	Adjust the height of the handle and make sure that the knobs and bolts are aligned correctly.
The machine does not start.	The battery capacity is low.	Charge the battery pack.
	The bail switch is defective.	Replace the bail switch.
The machine cuts grass unevenly.	The lawn is rough.	Examine the mowing area.
	The blade height is not set correctly.	Move the wheels to a higher position.
The machine does not mulch correctly.	Wet grass clippings attach to the deck.	Wait until the grass dries before mowing.
	The mulch plug is missing.	Install the mulch plug.
The machine is hard to push.	The grass is too tall, or the blade height is too low.	Increase the blade height.
	The grass catcher and the blade drags in thick grass.	Empty the grass clippings from the grass catcher.
There is a high vibration in the machine.	The blade is unbalanced and worn.	Replace the blade.
	The engine shaft is bent.	<ol style="list-style-type: none"> 1. Stop the engine. 2. Remove the battery pack. 3. Disconnect the power source. 4. Inspect for damage. 5. Repair the machine before you start it again.
The machine stops during mowing.	The blade height is too low.	Increase the blade height.
	The battery pack is out of power.	Charge the battery pack.

Problem	Possible cause	Solution
	The grass clippings attach to the deck or the blade.	Remove the battery pack and check the deck.
	Operation temperature of the machine is too high.	Cool the machine.

* If you cannot find the solution to these problems, go to the service center.

7 TECHNICAL DATA

Voltage	40 V DC
No load speed	2800 RPM
Deck Size	21"
Height adjustments	1 3/8 - 4 1/16" (3.5 - 10.5) cm
Functions	(3-In-1)Rear bag & Side Discharge & Mulch
Battery model	BAF704 and other BAF series
Charger model	CAF806 and other CAF series

8 LIMITED WARRANTY

90-Day Warranty

Renewed/Refurbished products and batteries are protected against all defects in materials, parts or workmanship under normal use for a period of 90 days from the shipping date or in-store purchase date. All sales are final, no returns.

ITEMS NOT COVERED BY WARRANTY:

1. Any part that has become inoperative due to misuse, commercial use, abuse, neglect, accident, improper maintenance, or alteration; or

- 2. The unit, if it has not been operated and/or maintained in accordance with the operator manual; or
- 3. Normal wear;
- 4. Routine maintenance items such as lubricants, blade sharpening;
- 5. Normal deterioration of the exterior finish due to use or exposure.

HELPLINE:

Warranty service is available by calling our toll-free helpline at 1-888-909-6757.

TRANSPORTATION CHARGES:

Transportation charges for the movement of any power equipment unit or attachment are the responsibility of the purchaser. It is the purchaser's responsibility to pay transportation charges for any part submitted for replacement under this warranty unless such return is requested in writing by Greenworks.

USA address:

Greenworks Tools
P.O. Box 1238, Mooresville, NC 28115

Canadian address:

Greenworks Tools Canada, Inc.
P.O. Box 93095, Newmarket, Ontario, L3Y 8K3

Mexico address:

TECNOLOGIA CAMPO Y JARDIN S.A. DE C.V.
ADMINISTRADORES No. 5336 A, COL. ARCOS DE GUADALUPE, ZAPOPAN , JALISCO , C.P. 45037

greenworks[®]

www.greenworkstools.com



P0801785-04