

greenworks

Surface Cleaner

SC120



OPERATOR'S MANUAL


TOLL-FREE HELPLINE: 1-888-90WORKS (888.909.6757)



WARNING: It is important to read and understand the instruction manual before you operate this accessory.

SAFETY INSTRUCTIONS


WARNING

 Please read and comply with these original operating instructions prior to the initial operation and store them for later use or subsequent owners.

- Please read the safety instructions of your pressure washer.
- Make sure there are no persons in the immediate vicinity of the cleaning head.
- Turn off the pressure washer when you finish cleaning.
- Maximum water temperature 104 °F (Please read the instructions of your pressure washer).
- Wear eye protection with side shields that are marked to comply with ANSI Z87.1 when operating this equipment.
- After use or before servicing, always disconnect the surface cleaner from the pressure washer spray wand.

SYMBOL

WARNING

 Do not hold the edge of the surface cleaner when it is on.

PRODUCT INFORMATION

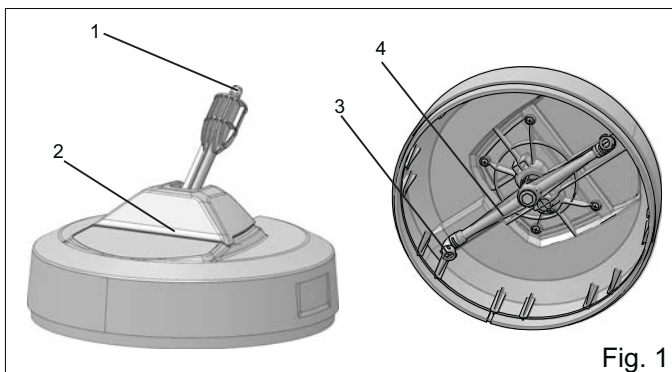
If any parts are damaged or missing, please call 1-888-90WORKS (888.909.6757) for Greenworks customer service.

PRODUCT SPECIFICATIONS

Connection 1/4 in. Quick Connect Plug Inlet
Cleaning With..... 12 in.
Maximum Pressure Up to 2300 PSI
Maximum Water Flow..... 2.3 GPM
Maximum Water Temperature..... 104°F

→ See Fig 1

1. 1/4 in. Quick Connection
2. Casing
3. High Pressure Nozzle
4. Rotor Arm



PROPER USE

This surface cleaner can be used on various materials, including plastic, concrete, tiles, natural stone, and more.

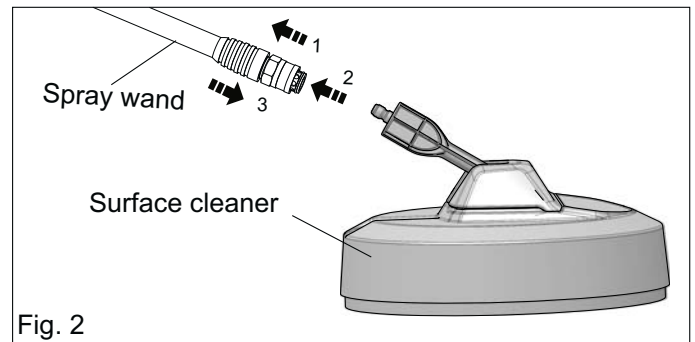
APPLICATION

CLEANING FLOOR SURFACE

Fasten the surface cleaner to the high pressure 1/4 inch quick connect spray wand.

→ See Fig 2

1. Pull back the quick-connect collar
2. Push the surface cleaner into place
3. Push the collar forward.
4. Pull the trigger gun to operate the machine



TIPS FOR CLEANING

- Outdoor surfaces should be swept before the surface cleaner is used to avoid damaging the high pressure nozzles.
- The surface cleaner is not suited for scouring or scrubbing.
- If striping or swirl marks occur, slow your pace. If striping or swirling continues, the surface cleaner nozzle(s) may be clogged. Disconnect surface cleaner from pressure washer spray wand before servicing. Using a straightened paper clip or nozzle cleaning tool (not provided), free any foreign materials clogging or restricting the nozzle. (See Fig.3)

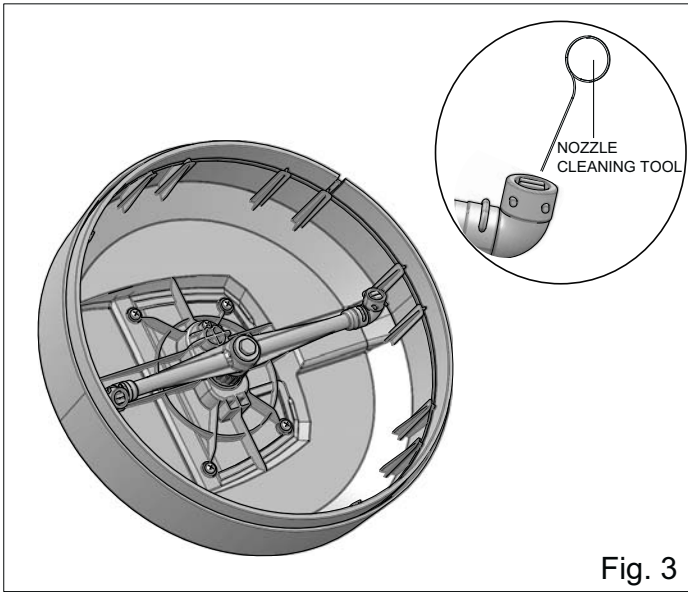


Fig. 3

CAUTION

- WARNING**
→ See Fig 1

Do not run over free standing corners. DO NOT lift or tilt the surface cleaner from a horizontal surface while connected to the spray gun during operation.

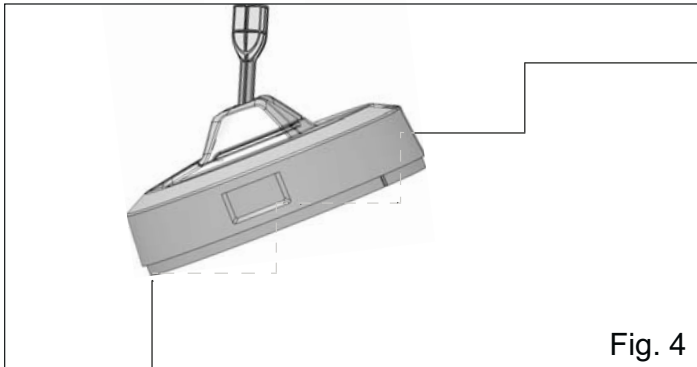




Fig. 4

GENERAL INFORMATION

ENVIRONMENTAL PROTECTION

 The packaging material can be recycled. Please do not place the packaging into the ordinary trash for disposal, but arrange for the proper recycling.

 Old appliances contain valuable material that can be recycled. Please arrange for the proper recycling of appliances. Please dispose of your old appliances using the appropriate collection system.

CARE

Use a moist cloth to clean surface cleaner after use.

WARRANTY

greenworks

90-Day Warranty

Renewed/Refurbished products and batteries are protected against all defects in materials, parts or workmanship under normal use for a period of 90 days from the shipping date or in-store purchase date. All sales are final, no returns.

ITEMS NOT COVERED BY WARRANTY:

1. Any part that has become inoperative due to misuse, commercial use, abuse, neglect, accident, improper maintenance, or alteration; or
2. The unit, if it has not been operated and/or maintained in accordance with the owner's manual; or
3. Normal wear, except as noted below;
4. Routine maintenance items such as draining the water to avoid freezing/ice damage to pump and components.
5. Normal deterioration of the exterior finish due to use or exposure.

GREENWORKS HELPLINE (1-888-90WORKS):

Warranty service is available by calling our toll-free helpline, 9am to 5pm EST. at 1-888-909-6757 (1-888-90WORKS).

TRANSPORTATION CHARGES:

Transportation charges for the movement of any power equipment unit or attachment are the responsibility of the purchaser. It is the purchaser's responsibility to pay transportation charges for any part submitted for replacement under this warranty unless such return is requested in writing by **GREENWORKS**.

USA address:

Greenworks Tools
P.O. Box 1238
Mooresville, NC 28115

Canadian address:

Greenworks Tools Canada Inc.
P.O. Box 93095, Newmarket, Ontario
L3Y 8K3

greenworks

TOLL-FREE HELPLINE: 1-888-909-6757