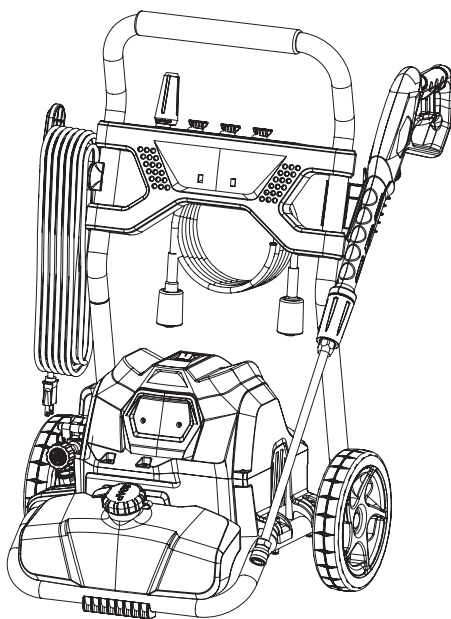

greenworks

2000 PSI ELLECTRIC PRESSURE WASHER GPW 2003



Owner's Manual



TOLL-FREE HELPLINE: 1-888-90WORKS (888.909.6757)

www.greenworkstools.com

▲ Read all safety rules and instructions carefully before operating this tool.
IMPORTANT, Retain this manual for future reference!

CONTENTS

Contents	2
Product specifications.....	2
Safety information.....	3
Symbols.....	6
Electrical.....	8
Know your pressure washer.....	9
Packing list	10
Assembly	11
Operation.....	17
Maintenance	23
Troubleshooting	25
Warranty	26
Exploded View	27
Parts List.....	28

PRODUCT SPECIFICATIONS

Universal Motor.....	120 V~ 60 Hz, 14 Amps
Max. Pounds Per Square Inch Pressure.....	2000 PSI
Rated Gallons Per Minute.....	1.2 gpm
Maximum Inlet Water Temperature	104°F (40°C)
Cleaning Units.....	2,340 C.U.
Net weight	27.73 lbs. (12.58 kg)



SAFETY INFORMATION

⚠ WARNING

Read and understand all instructions. Failure to follow all instructions listed below may result in electric shock, fire, and/or serious personal injury.

⚠ WARNING

When using this product, basic precautions should always be followed.

READ ALL INSTRUCTIONS BEFORE USING THIS PRODUCT

- To reduce the risk of injury, close supervision is necessary when a product is used near children.
 - Be thoroughly familiar with controls. Know how to stop the product and release pressure quickly.
 - Stay alert and exercise control. Watch what you are doing and use common sense. Do not operate the product when you are tired. Do not rush.
 - Do not operate the product while under the influence of drugs, alcohol, or any medication.
 - Keep the area of operation clear of all people, particularly small children, and pets.
 - Don't overreach or stand on unstable support. Keep proper footing and balance at all times.
 - Follow the maintenance instructions specified in this manual.
-
-

⚠ WARNING

Risk of injection or injury – Do not direct discharge stream at people or animals.

EXTENSION CORDS

- When using a power tool at a considerable distance from a power source, be sure to use an extension cord that has the capacity to handle the current the product will draw. An undersized cord will cause a drop in line voltage, possibly resulting in **overheating, loss of power, and/or damage to circuit breaker**. Use the chart to determine the minimum wire size required in an extension cord. Only round jacketed cords listed by Underwriter's Laboratories (UL) should be used. When working outdoors with a product, use an extension cord that is designed for outside use. This type of cord is designated with "WA" or "W" on the cord's jacket. Before using any extension cord, inspect it for loose or exposed wires and cut or worn insulation. It is possible to tie the extension cord and power cord in a knot to prevent them from becoming disconnected during use. Make a knot, then connect the plug end of the power cord into the receptacle end of the extension cord. This method can also be used to tie two extension cords together.
-
-

⚠ WARNING

To reduce the risk of electrocution, keep all connections dry and off the ground. Do not touch plug with wet hands.

⚠ WARNING

Check extension cords before each use. If damaged, replace immediately. Never use the product with a damaged cord since touching the damaged area could cause electrical shock, resulting in serious injury.

⚠ WARNING

Keep the extension cord clear of the working area. Position the cord so that it will not get caught on lumber, tools, or other obstructions while you are working with a power tool. Failure to do so can result in serious personal injury.

- Know your product. Read the operator's manual carefully. Learn the machine's applications
-
-

SAFETY INFORMATION

and limitations, as well as the specific potential hazards related to this product.

- To reduce the risk of injury, keep children and visitors away. All visitors should wear safety glasses and be kept a safe distance from the work area.
- Use the right product for the job. Don't force the product or the attachments to do a job it was not designed for. Don't use it for a purpose not intended.
- Dress properly. Do not wear loose clothing, gloves, neckties, or jewelry. They can get caught and draw you into moving parts. Rubber gloves and nonskid footwear are recommended when working outdoors. Also wear protective hair covering to contain long hair.
- Do not operate the equipment while barefoot or when wearing sandals or similar lightweight footwear. Wear protective footwear that will protect your feet and improve your footing on slippery surfaces.
- Exercise caution to avoid slipping or falling.
- Always wear eye protection with side shields marked to comply with ANSI Z87.1. Following this rule will reduce the risk of serious personal injury.
- Use only recommended accessories. The use of improper accessories may cause risk of injury.
- Check damaged parts. Before further use of the product, all parts should be carefully checked to determine that they will operate properly and perform their intended function. Check for alignment of moving parts, binding of moving parts, breakage of parts, mounting, and any other conditions that may affect its operation. A guard or other part that is damaged must be properly repaired or replaced by an authorized service center to avoid risk of personal injury.
- Never leave product running unattended. Turn power off. Do not leave the product until it comes to a complete stop.
- Keep the motor free of grass, leaves, or grease to reduce the chance of a fire hazard.
- Follow manufacturer's recommendations for safe loading, unloading, transport, and storage of machine.
- Keep product dry, clean, and free from oil and grease. Always use a clean cloth when cleaning. Never use brake fluids, gasoline, petroleum-based products, or any solvents to clean product.
- Check the work area before each use. Remove all objects such as rocks, broken glass, nails, wire, or string which can be thrown by the machine.
- Do not use product if switch does not turn it off. Have defective switches replaced by an authorized service center.
- Avoid dangerous environment. Don't expose to rain. Keep work area well lit.
- Do not abuse the cord. Never use the cord to carry the product or to disconnect the plug from an outlet. Keep cord away from heat, oil, sharp edges, or moving parts. Replace damaged cords immediately. Damaged cords increase the risk of electric shock.
- Never direct a water stream toward people or pets, or any electrical device.
- Before starting any cleaning operation, close doors and windows. Clear the area to be cleaned of debris, toys, outdoor furniture, or other objects that could create a hazard.
- Do not use acids, alkalines, solvents, flammable material, bleaches, or industrial grade solutions in this product. These products can cause physical injuries to the operator and irreversible damage to the machine.

SAFETY INFORMATION

▲ W A R N I N G

High pressure jets can be dangerous if subject to misuse. The jet must not be directed at people, animals, electrical devices, or the machine itself.

- Keep the motor away from flammables and other hazardous materials.
- Check bolts and nuts fixing the pressure washer shell for looseness before each use. A loose bolt or nut may cause serious motor problems.
- Before storing, allow the motor to cool.
- When servicing use only identical replacement parts. Use of any other parts may create a hazard or cause product damage.
- ONLY use cold water.
- Make sure minimum clearance of 3 feet is maintained from combustible materials.
- Connect pressure washer only to an individual branch circuit.
- Hold the handle and wand securely with both hands. Expect the trigger handle to move when the trigger is pulled due to reaction forces. Failure to do so could cause loss of control and injury to yourself and others.
- Save these instructions. Refer to them frequently and use them to instruct other users. If you loan someone this product, loan them these instructions also.

▲ W A R N I N G (P R O P O S I T I O N 6 5)

Some dust created by power sanding, sawing, grinding, drilling and other construction activities contains chemicals known to the state of California to cause cancer, birth defects or other reproductive harm. Some examples of these chemicals are:

- Lead from lead-based paints,
- Crystalline silica from bricks and cement and other masonry products,
- Arsenic and chromium from chemically-treated lumber.






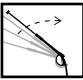



Your risk from these exposures varies depending on how often you do this type of work. To reduce your exposure to these chemical: work in a well ventilated area, and work with approved safety equipment, such as those dust masks that are specially designed to filter out microscopic particles.

▲ W A R N I N G

This product contains chemical(s) including lead, known to the State of California to cause cancer, birth defects, and other reproductive harm. Do not drink water from this hose. Wash hands after use.




SYMBOLS

Some of the following symbols may be used on this product. Please study them and learn their meaning. Proper interpretation of these symbols will allow you to operate the product better and safer.

SYMBOLS	DESIGNATION	EXPLANATION
V	Volts	Voltage
A	Amperes	Current
Hz	Hertz	Frequency (cycles per second)
W	Watts	Power
no	No Load Speed	Rational speed, at no load
~	Alternating Current	Type of current
/min	Per Minute	Revolutions, strokes, surface speed, orbits, etc., per minute
	Safety Alert	Indicates a potential personal injury hazard.
	Read The Operator's Manual	To reduce the risk of injury, user must read and understand operator's manual before using this product.
	Eye Protection	Always wear eye protection with side shields marked to comply with ANSI Z87.1.
	Wet Conditions Alert	Do not expose to rain or use in damp locations.
	Risk of Injection	To reduce the risk of injection or injury, never direct a water system toward people or pets or place any body part in the stream. Leaking hoses and fittings are also capable of causing injection injury. Do not hold hoses or fittings.
	Kickback	To reduce the risk of injury from kickback, hold the spray wand securely with both hands when the machine is on.
	Electric Shock	Failure to use in dry conditions and to observe safe practices can result in electric shock.
	Chemical Burns	To reduce the risk of injury or damage, DO NOT USE ACIDS, ALKALINES, BLEACHES, SOLVENTS, FLAMMABLE MATERIAL, OR INDUSTRIAL GRADE SOLUTIONS in this product.
	Risk of Explosion	Do not spray flammable liquids. Flammable liquids, fuel, and their vapors are explosive and can cause severe burns or death.

SYMBOLS

The following signal words and meanings are intended to explain the levels of risk associated with this product.

SYMBOL	SIGNAL	MEANING
	DANGER	Indicates an imminently hazardous situation, which, if not avoided, will result in death or serious injury.
	WARNING	Indicates a potentially hazardous situation, which, if not avoided, could result in death or serious injury.
	CAUTION	Indicates a potentially hazardous situation, which, if not avoided, may result in minor or moderate injury.
	CAUTION	(Without Safety Alert Symbol) Indicates a situation that may result in property damage.

SERVICE

Servicing requires extreme care and knowledge and should be performed only by a qualified service technician. For service we suggest you return the product to your nearest **AUTHORIZED SERVICE CENTER** for repair. When servicing, use only identical replacement parts.

WARNING

To avoid serious personal injury, do not attempt to use this product until you have read this Owner's Manual thoroughly and understand it completely. If you do not understand the warnings and instructions in this Owner's Manual, do not use this product. Call the Toll-free Helpline (1-888-909-6757) for assistance.

WARNING



The operation of any power tool can result in foreign objects being thrown into your eyes, which can result in severe eye damage. Before beginning power tool operation, always wear safety goggles or safety glasses with side shields and, when needed, a full face shield. We recommend Wide Vision Safety Mask for use over eyeglasses or standard safety glasses with side shields. Always use eye protection which is marked to comply with ANSI Z87.1.

SAVE THESE INSTRUCTIONS

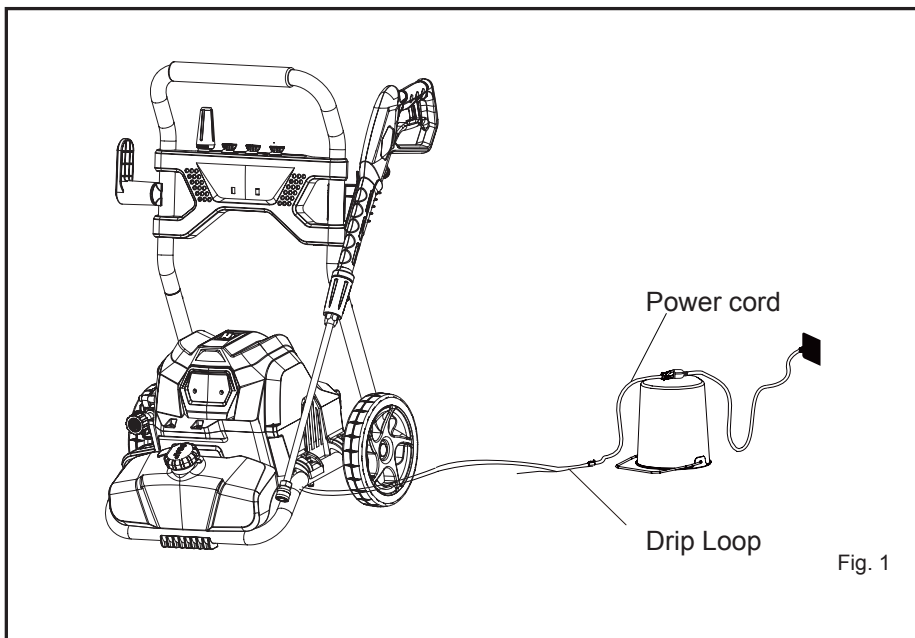
ELECTRICAL

ELECTRICAL CONNECTION

This product has a precision-built electric motor. It should be connected to a power supply that is 120 volts, 60 Hz, AC only (normal household current). Do not operate this product on direct current (DC). A substantial voltage drop will cause a loss of power and the motor will overheat.

DRIP LOOP

To prevent water from flowing along the power cable, and possibly reaching the electrical outlet and plug, we recommend using a simple drip loop as shown below.

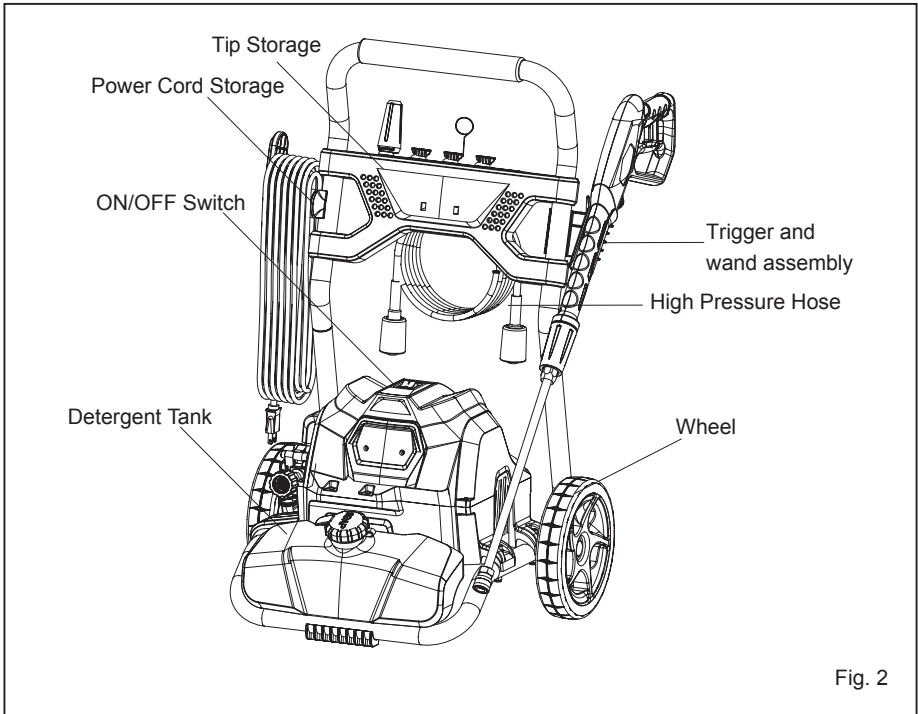


⚠ WARNING

Keep the extension cord clear of the working area. Position the cord so that it will not get caught on lumber, tools, or other obstructions while you are working with a power tool. Failure to do so can result in serious personal injury.

KNOW YOUR PRESSURE WASHER

The safe use of this product requires an understanding of the information on the tool and in this operator's manual as well as a knowledge of the project you are attempting. Before use of this product, familiarize yourself with all operating features and safety rules. (See Figure 2.)



DETERGENT TANK

Remove the cap from the detergent tank to add detergent to the pressure washer.

GFCI PLUG

The pressure washer power cord is equipped with a GFCI plug to guard against the hazards of ground fault currents. This plug does not protect against short circuits, overloads, or shocks.

AUTO ON/OFF SWITCH:

This pressure washer is equipped with an Auto Start/Stop feature. To operate: Set power switch to the On (I) position. Pump will pressurize and shut down immediately. Once the trigger of the gun is depressed the unit will turn on. Unit will shut off and be in standby mode when trigger is released.

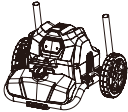

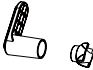


















POWER CORD STORAGE

The power cord can be wrapped and stored around the hook.

TRIGGER AND WAND ASSEMBLY

The Trigger and Wand allows you to operate the pressure washer by depressing the trigger to activate the pump to spray water using the desired spray tip.

PACKING LIST

PART NAME	ERP NO.	FIGURE	PART NO.
Pressure Washer	5118202VT		1
Upper Handle	331002583		1
Cord retainer	341013231		1
Hose hook	333011936		1
Spray tip panel assy(spray tip included)	C1105624-00		1
Trigger Assembly	31140363AB		1
Spray Wand	31145363		1
Gun Holder	341101936		1
Turbo Nozzle	31208363		1
Spray Tip Cleaning Tool	33201671		1
Screw	322011628		4
Screw	322011635		2
Screw	322351635		1
Wheels	319081923		2
Washer	32908301A		2
Axle sleeve	332042583		2
Pin	3320643		2
Axle	33210847		2
High pressure hose	311311635		1
Operator's Manual	P0803500-00		1
Quick Start Guide	P0803501-00		1

ASSEMBLY

UNPACKING

This product requires assembly.

- Carefully remove the product and any accessories from the box. Make sure that all the contents from the packaging list are included.
 - Inspect the product carefully to make sure no breakage or damage occurred during shipping.
 - Do not discard the packing material until you have carefully inspected and satisfactorily operated the product.
 - If any parts are damaged or missing, please call 1-888-909-6757 for assistance.
-

▲ WARNING

Do not use this product if any parts on the Packing List are already assembled to your product when you unpack it. Parts on this list are not assembled to the product by the manufacturer and require customer installation. Use of a product that may have been improperly assembled could result in serious personal injury.

▲ WARNING

If any parts are damaged or missing do not operate this product until the parts are replaced. Use of this product with damaged or missing parts could result in serious personal injury.

▲ WARNING

Do not connect to power supply until assembly is complete. Failure to comply could result in accidental starting and possible serious personal injury.

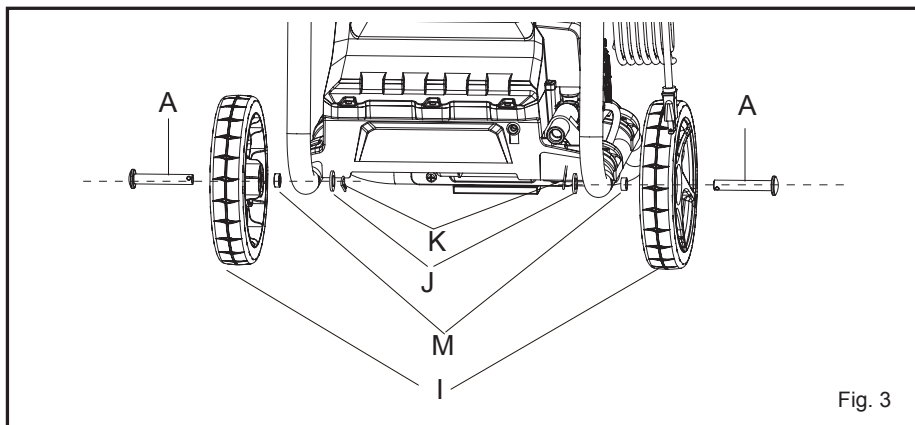
▲ WARNING

Do not attempt to modify this product or create accessories not recommended for use with this product. Any such alteration or modification is misuse and could result in a hazardous condition leading to possible serious personal injury.

ASSEMBLY

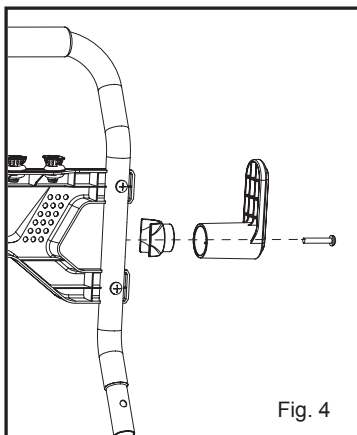
ASSEMBLING THE WHEELS See Figure 3.

- Insert an axle (A) through a wheel (I), the axle sleeve (M), the frame of the unit, and then a washer (J).
- Insert a cotter pin (K) through the hole in the axle to secure. Repeat for second wheel.



ASSEMBLING THE POWER CORD STORAGE See Figure 4.

- Line up the screw with the holes in power cord storage and the upper handle.
- Push the screw through and tighten it.



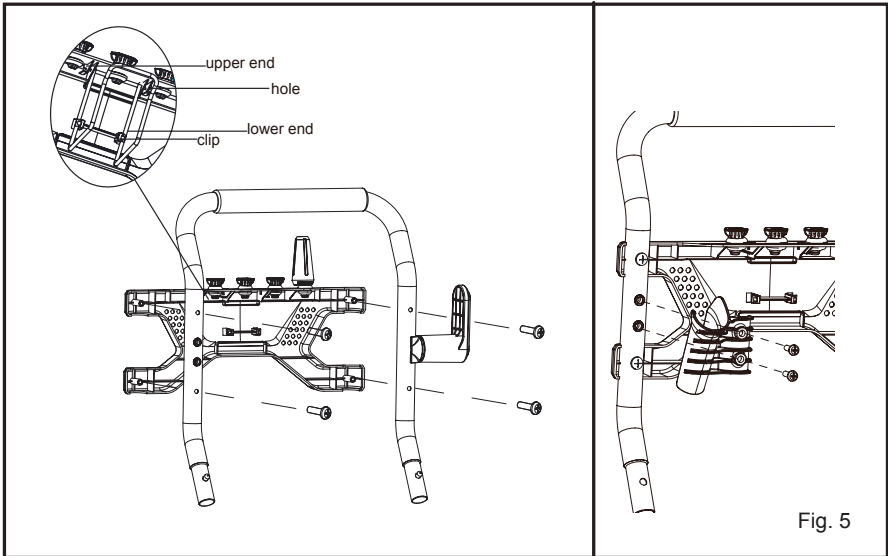
ASSEMBLY

ASSEMBLING THE FRONT PANEL AND GUN HOLDER *See Figure 5.*

- Line up the screw sleeves with the holes in the upper handle and push through.
- Insert the screw and turn clockwise with a phillips head screw driver (not included) until the screw is tight.

ASSEMBLING THE HOSE HOOK *See Figure 5.*

- Line up the hose hook upper end with the holes on the back of the front panel
- Insert the hose hook end into the hole and push through.
- Press the hose hook lower end into the clip on the back of the front panel.



ASSEMBLY

INSTALLING THE HANDLE See Figure 6.

- Push and hold the button on the handle as you slide the handle into the holes in the frame.

NOTE: Before use, pull the handle up until the lock button snaps through the locking slot to secure the handle in place.

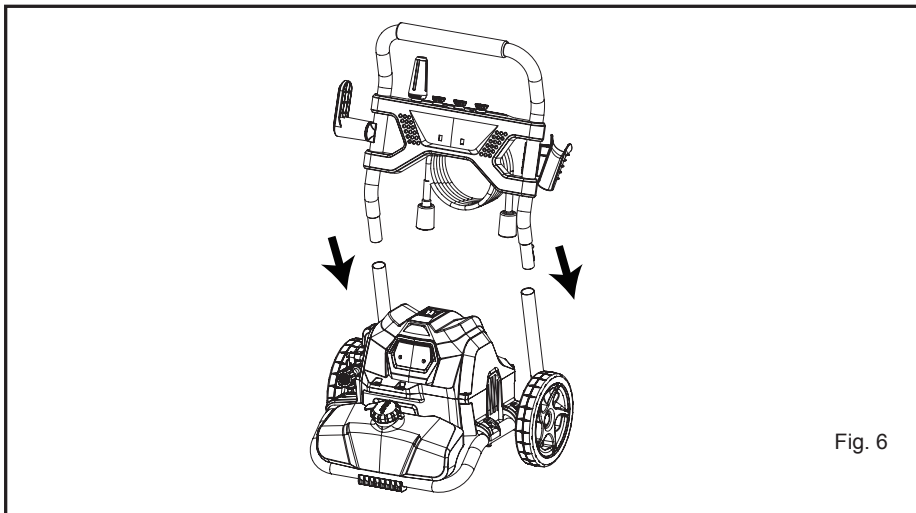


Fig. 6

ASSEMBLING THE SPRAY WAND See Figure 7.

- Push the end of the spray wand into the trigger handle and rotate clockwise to secure.
- Pull on the spray wand to be certain it is properly secured.

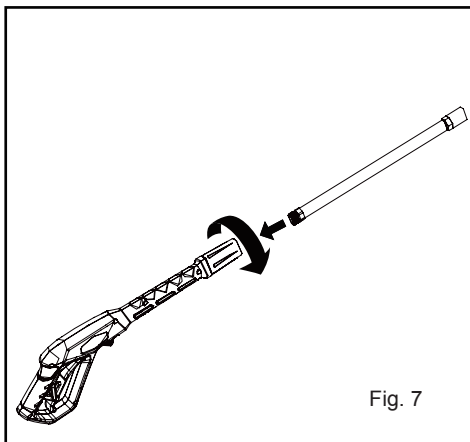


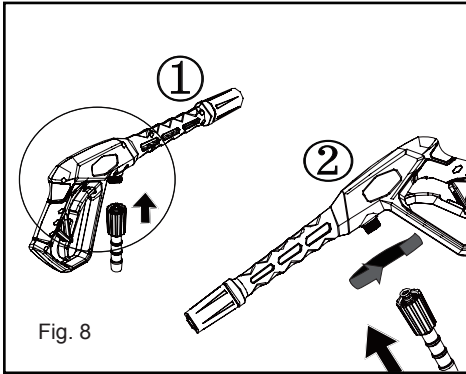
Fig. 7

ASSEMBLY

CONNECTING HIGH PRESSURE HOSE TO TRIGGER HANDLE *See Figure 8.*

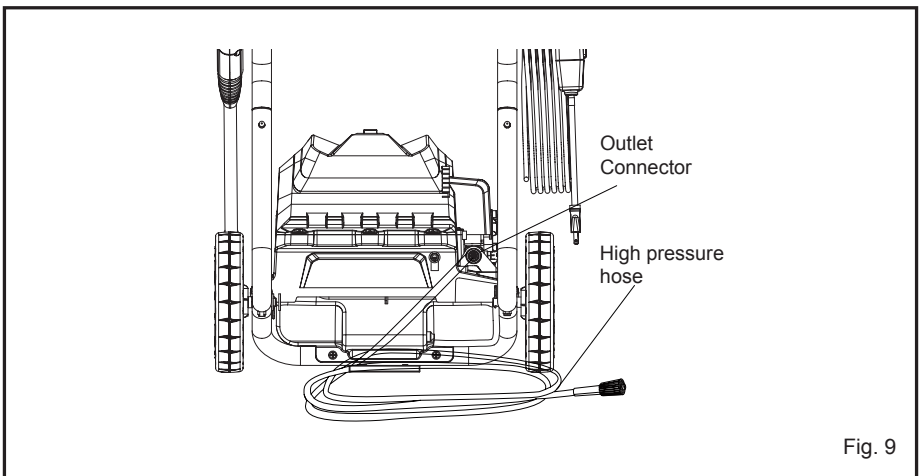
- Align the pressure hose with the trigger handle and push up and into position.
- With hose pushed into position on the trigger handle, secure in place by turning the hose lock clockwise until fully tightened.

NOTE: For easier installation of the hose to the unit or trigger, it is suggested to add pressure washer or dish detergent to the rubber seal at each end of the hose. This will allow for easier installation and a snug fit.



CONNECTING HIGH PRESSURE HOSE TO PRESSURE WASHER *See Figure 9.*

- Connect one end of the hose to the water outlet connector and the other end to the trigger gun.



ASSEMBLY

CONNECTING THE GARDEN HOSE *See Figure 10.*

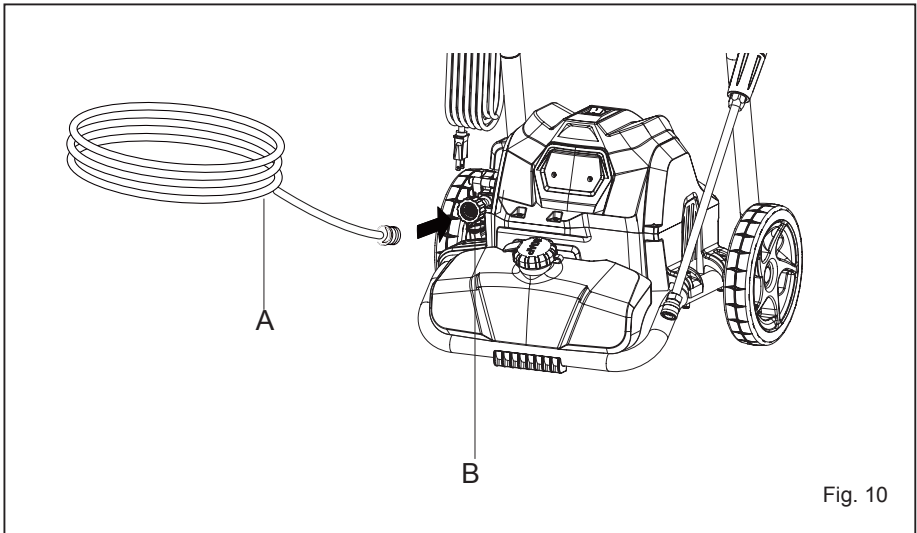
CAUTION

Always observe all local regulations when connecting hoses to the water main. Some areas have restrictions against connecting directly to public drinking water supply to prevent the feedback of chemicals into the drinking water supply. Direct connection through a receiver tank or back flow preventer is usually permitted.

- Uncoil the garden hose.

NOTE: *There must be a minimum of 10 feet of unrestricted garden hose between the water intake and the garden hose faucet or shut off valve (such as a "Y" shut off connector).*

- Run water through the hose (A) for 30 seconds to clean any debris from the hose.
- Inspect the screen in the water intake (B).
- If the screen is damaged, do not use the machine until the screen has been replaced.
- If the screen is dirty, clean it before connecting the garden hose to the machine.
- With the hose faucet turned completely off, attach the end of the garden hose to the water intake. Tighten by hand only.



OPERATION

⚠ WARNING

Do not allow familiarity with tools to make you careless. Remember that a careless fraction of a second is sufficient to inflict serious injury.

⚠ WARNING

Always wear eye protection with side shields marked to comply with ANSI Z87.1. Failure to do so could result in objects being thrown into your eyes resulting in possible serious injury.

⚠ WARNING

Do not use any attachments or accessories not recommended by the manufacturer of this tool. The use of attachments or accessories not recommended can result in serious personal injury.

⚠ WARNING

Never direct a water stream toward people or pets, or any electrical device. Failure to heed this warning could result in serious injury.

APPLICATIONS

You may use this product for the purposes listed below:

- Cleaning boats, cars, trucks, motorcycles, outdoor furniture, grills, house siding, driveways, patios and decks.

DETERGENT ADDING AND USE

Use only detergents designed for pressure washers; household detergents, acids, alkalines, bleaches, solvents, flammable material, or industrial grade solution can damage the pump. Many detergents may require mixing prior to use. Prepare cleaning solution as instructed on the solution bottle.

SOAP APPLICATION *See Figure 11.*

Soap is applied under low pressure high volume for optimum performance.

Soap can not be applied under high pressure with this machine.

Soap/detergent can only be applied with this machine when the black (75 degree) soap tip is installed.

To add detergent:

- Place pressure washer upright on a flat surface.
- Remove cap from detergent tank.
- Pour detergent into tank.
- Reinstall cap.

OPERATION

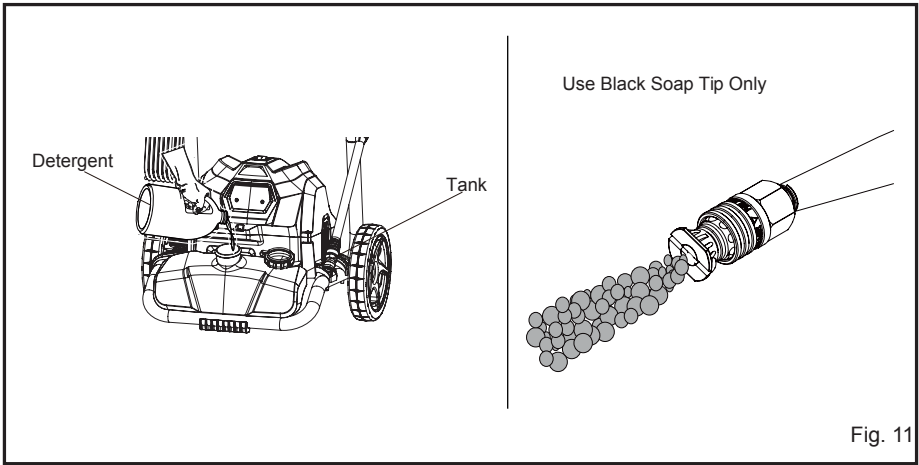


Fig. 11

⚠ CAUTION

Use only approved pressure washer cleaners. Do not use bleach, chlorine, or any cleaners containing acids.

To use:

- Connect low pressure black soap spray tip to the wand connector.
- Squeeze the trigger and the detergent will automatically be mixed with the water and dispensed from the spray tip.

NOTE: Use a funnel, if needed, to prevent accidental spilling of the detergent outside the tank. If any detergent is spilled during the filling process, make sure the unit is cleaned and dried before proceeding.

OPERATION

STARTING AND STOPPING THE PRESSURE WASHER *See Figure 12.*

▲ CAUTION

Do not run the pump without the water supply connected and turned on.

- Connect the garden hose.
 - Turn the water supply on, then squeeze the trigger and run water hose with motor in OFF position until a steady stream of water appears. This helps drain air from tank and lines.
-

NOTE: *If the pressure washer pulsates and the water stream is intermittent turn the pressure washer off and continue to bleed air out of the system. Ensure to check that the garden hose is fully turned on and not kinked.*

- After ensuring the On/Off switch is in the OFF (O) position, connect the pressure washer to the power supply.
- Press the reset button on the pressure washer's plug to make sure the unit is ready for operation.
- Press the switch to the ON (I) position to start the motor.
- To stop the motor, release the trigger and press the switch to the OFF (O) position.

NOTE: *The pressure washer may be on and the system may have pressure even when the pump and/or motor cannot be heard running. Always use caution around the pressure washer.*

▲ CAUTION

Hold the trigger handle securely with both hands. Expect the trigger handle to move when the trigger is pulled due to reaction forces. Failure to do so could cause loss of control and injury to yourself and others.

NOTE: *AUTO ON/OFF SWITCH: This pressure washer is equipped with an auto start/stop feature. To operate: Set the power switch to the On (I) position. Pump will pressurize and shut down immediately. Once the trigger of the gun is depressed, the unit will turn on. Unit will shut off and be in standby mode when trigger is released.*

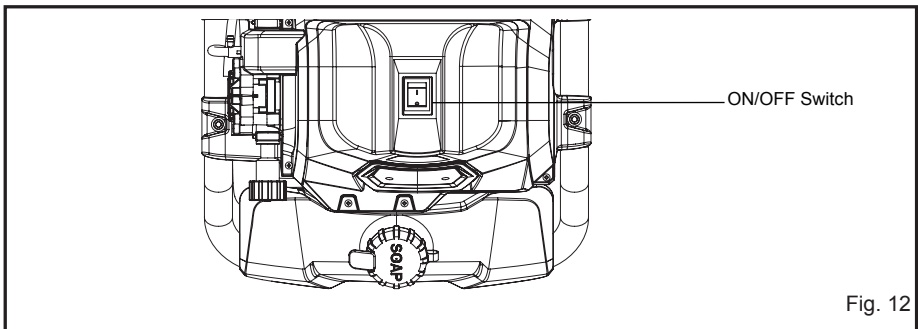


Fig. 12

OPERATION

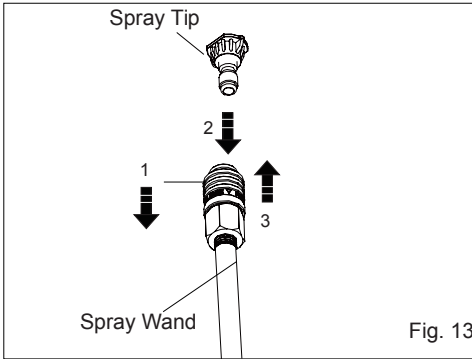
USING THE SPRAY TIPS (See Figure 13)

Each of the spray tips has a different spray pattern. Before starting any cleaning job, determine the best spray tip for the job. The following chart offers some general guidelines to help you choose the best spray tip for your application.





NOTE: Always try spray tip in an inconspicuous area first.

- Turn off the pressure washer and shut off the water supply. Pull trigger to release water pressure.
- Engage the lock-out on the trigger handle by pushing the trigger lock button to the right.
- Pull out the desired spray tip from the tip storage on the handle.
- Pull back the quick-connect collar on the spray wand.
- Push the spray tip into place in the spray wand.
- Push the collar forward so that the spray tip is secured properly. Check to see that the spray tip is secure.

NOTE: Make sure the faucet is turned on fully and that there are no kinks or leaks in the hose.



- 1-Pull back the quick-connect collar
- 2-Push the spray tip into place
- 3-Push the collar forward

SPRAY TIP	APPLICATION
 25°	Green - Narrow fan tip (25°) <ul style="list-style-type: none"> ■ The green pressure washer tip provides high versatility with its 25 degree angle tip. Referred to as the washing tip, because it provides adequate pressure to remove dirt from surfaces, but is designed to not damage many surfaces. This pressure washer tip is designed for “sweeping” foliage or debris given its wide angle. This tip is versatile due to its wide area of cleaning and strong pressure application.
 40°	White - Wide fan tip (40°) <ul style="list-style-type: none"> ■ The white 40 degree tip, referred to as the “fan” tip creates the widest area of cleaning with relatively low pressure. This pressure washer tip is best used for light or delicate cleaning applications. It is recommended for light cleaning on wood decks and other soft or delicate surfaces.
 SOAP	Black - Soap spray tip <ul style="list-style-type: none"> ■ The black soap spray tip, is used for soap application. Soap is applied under low pressure high volume for optimum performance. Soap cannot be applied under high pressure with this machine.
 TURBO	Turbo Nozzle Tip <ul style="list-style-type: none"> ■ This nozzle rotates in a zero to 15 degree circular motion spray pattern to break down tough dirt and grime. The spray pattern can cover area of 4 to 8 inches wide, depending on the distance between the tip and the surface being cleaned.

OPERATION

▲ WARNING

NEVER change spray tips without engaging the lock-out on the trigger handle and NEVER point the wand at your face or at others. The quick-connect feature contains small springs that could eject the spray tip with some force. Failure to heed this may cause personal injury.

TO DISCONNECT A SPRAY TIP FROM THE SPRAY WAND ONCE THE CLEANING JOB IS COMPLETE:

- Turn off the pressure washer and shut off the water supply. Pull trigger to release water pressure.
- Remove the spray tip by placing hand over spray then pulling back the quick-connect collar. Place spray tip in the tip storage area on the units folding handle.

USING THE SPRAY WAND TRIGGER (See Figure 14)

For greater control and safety, keep both hands on the trigger handle at all times.

- Pull back and hold the trigger to operate the pressure washer.
- Release the trigger to stop the flow of water through the tip.

TO ENGAGE THE LOCK-OUT:

- Push the lock-out down until it clicks into the slot.

TO DISENGAGE THE LOCK-OUT:

- Push the lock-out up and into its original position.

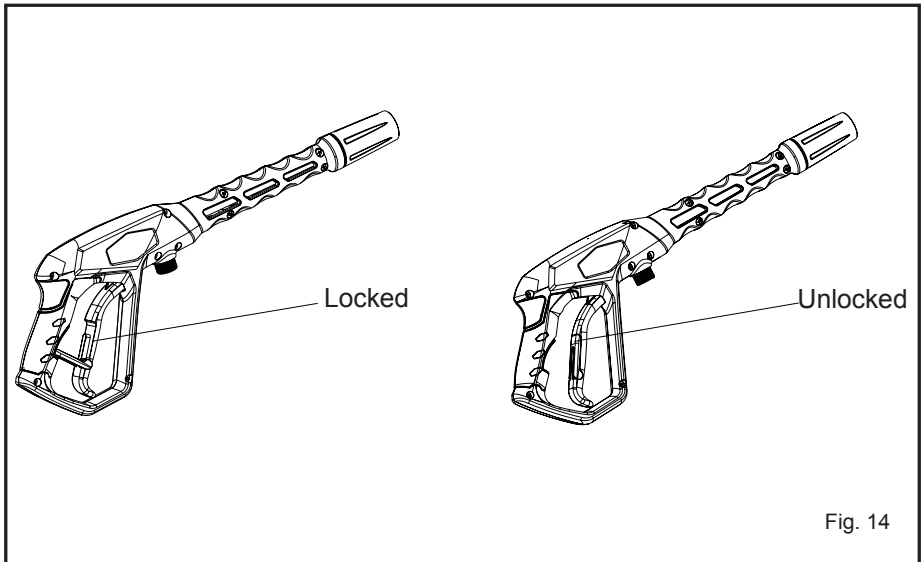


Fig. 14

OPERATION

OPERATING THE PRESSURE WASHER (See Figure 15)

Use only detergents designed for pressure washers. Many detergents may require mixing prior to use. Prepare cleaning solution as instructed on the solution bottle.

a. To clean:

- Pour detergent in the detergent tank.
- Install the black soap tip on the spray wand.
- Start the pressure washer and spray the detergent on a dry surface using long, even, overlapping strokes. To prevent streaking, do not allow detergent to dry on the surface.

b. To rinse:

- Using the 25° spray tip, spray away from the rinsing surface for approximate 10 seconds to allow any remaining detergent to be flushed from the line.
- Start at the top of the area to be rinsed and work down, overlapping the strokes.

For the most effective cleaning, the spray tip should be between 8 in. and 24 in. from the surface to be cleaned. If the spray is too close it can damage the surface.

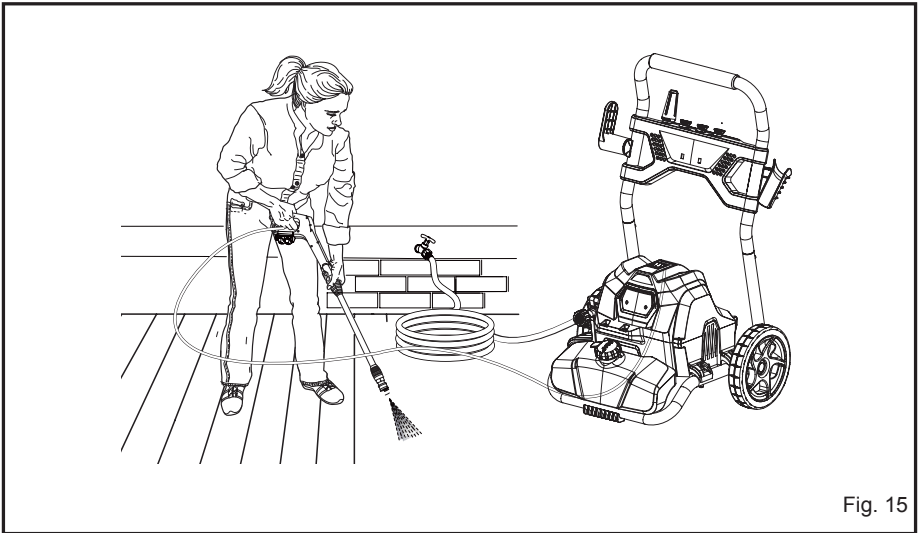


Fig. 15

MOVING THE PRESSURE WASHER

To move the pressure washer:

- Turn the pressure washer off. Point the spray wand in a safe direction and pull trigger to release water pressure.
- Tilt the machine toward you until it balances on the wheels, then roll the machine to the desired position.

MAINTENANCE

▲ W A R N I N G

When servicing, use only identical replacement parts. Use of any other parts may create a hazard or cause product damage.

▲ W A R N I N G

Before inspecting, cleaning or servicing the machine, turn off the unit, unplug from the outlet, pull trigger to release water pressure and disconnect the high pressure hose. Failure to follow these instructions can result in serious personal injury or property damage.

GENERAL MAINTENANCE

▲ W A R N I N G

Do not at any time let brake fluids, gasoline, petroleum-based products, penetrating oils, etc., come in contact with plastic parts. Chemicals can damage, weaken or destroy plastic which may result in serious personal injury.

Only the parts shown on the parts list are intended to be repaired or replaced by the customer. All other parts should be replaced at an authorized service center.

SPRAY TIP MAINTENANCE(See Figure 16)

a. Excessive pump pressure (a pulsing sensation felt while squeezing the trigger) may be the result of a clogged or dirty spray tip.

- Unplug the pressure washer.
- Turn off the pressure washer and shut off the water supply. Pull trigger to release water pressure.
- Remove the spray tip from the spray wand.

NOTE: Never point the spray wand at your face.

b. Using the spray tip cleaning tool provided, free any foreign materials clogging or restricting the spray tip opening.

- Using a garden hose, flush debris out of the spray tip by back flushing (running the water through the spray tip backwards or from the outside to the inside).
- Reconnect the spray tip to the spray wand.
- Turn on the water supply.

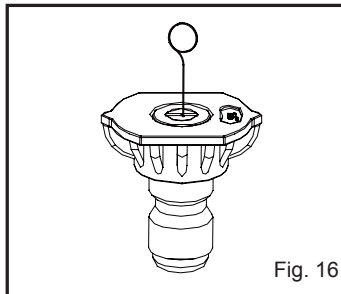


Fig. 16

MAINTENANCE

STORING THE PRESSURE WASHER

Store in a dry, covered area where the weather can't damage it. It is important to store this product in a frost-free area. Always empty water from all hoses, the pump, and the detergent container before storing.

NOTE: Use of a pump saver will give you better performance and increase the life of the machine.

QUICK WINTERIZING PROCEDURE

You can protect your pressure washer from winter damage by doing below:

- Disconnect all water connections.
- Turn on the machine for a few seconds until the remaining water in the pump exits. Turn off immediately.
- Do not allow high-pressure hose to become kinked.
- Store the machine and accessories in a room that does not reach freezing temperatures. Do not store near furnace or other sources of heat as it may dry out the pump seals.

▲ C A U T I O N

Drain gun assembly of any remaining water. Aim gun downwards and squeeze trigger.

SHUTTING DOWN AND CLEANING UP

- (If you are not using detergent, go directly to Step 2.) When you have finished using the detergent injection system, fill detergent bottle with clean water. Siphon water at low-pressure for one minute so that all detergent is flushed through system. Remove detergent bottle and rinse it thoroughly.
- Disconnect the garden hose from the water inlet on the unit.
- Press trigger to release any remaining water pressure.
- Set the switch to "OFF" (O) position.
- Unplug the power cord from the outlet.
- Engage gun safety lock.

TAKING A BREAK

If taking a break of five minutes or more:

- Engage gun safety lock.
- Set unit to "OFF" (O) position.
- Unplug the power cord from the outlet.

▲ I M P O R T A N T

The use of a pump protector is recommended when storing to help prevent a against freezing over the winter months. It also help prevent the seals from drying out while sitting in storage in all climates.

TROUBLESHOOTING

PROBLEM	POSSIBLE CAUSE	SOLUTION
Motor will not start.	On/Off switch is in the "OFF" (O) position.	Set switch to the "ON" (I) position.
	Power cord is not plugged in.	Plug in power cord.
	Electrical outlet does not supply adequate power.	Try a different outlet.
	Tripped pressure washer circuit breaker.	Allow to cool, and restart unit.
	Power switch is ON however gun trigger is not squeezed ON.	With power switch ON push in on the gun trigger which will engage the AUTO ON switch.
Unit does not reach high pressure.	Diameter of garden hose is too small.	Replace with a 1" (25 mm) or 5/8" (16 mm) garden hose.
	Water supply is restricted.	Check garden hose for kinks, leaks and blockage.
	Not enough water supply.	Open water source fully.
	Pressure Tip has not been installed on wand assembly.	Add desired pressure tip to end of wand.
	Water intake filter is clogged.	Remove filter and rinse in warm water.
Output pressure varies high and low.	Not enough inlet water supply.	Turn water on fully. Check garden hose for kinks, leaks or blockage.
	Pump is sucking air.	Check that hoses and fittings are airtight. Turn "OFF" machine, and purge pump by squeezing trigger gun until a steady flow of water emerge through the spray tip.
	Water inlet filter clogged.	Remove filter and rinse in warm water.
	Supply voltage below minimum.	Verify that only the pressure washer is running on this circuit.
	Calcified gun, hose or power spray tip.	Run distilled vinegar through detergent tank.
Motor buzzes but fails to run.	Supply voltage below minimum.	Verify that only the pressure washer is running on this circuit.
	System has residual pressure.	Turn unit "OFF", squeeze trigger on spray wand to release pressure, then turn unit "ON".
	Voltage loss due to extension cord.	Unplug any extension cords attached and plug the unit directly into the outlet.
	Pressure washer not used for long periods.	Call customer service.
	Residual friction among components. Unit might hum.	Disconnect water supply and power ON for 2 to 3 seconds, repeat couple times or until the motor starts.
No water.	Water supply is OFF.	Turn ON water supply.
	Kink in the garden hose.	Remove kink in garden hose.

WARRANTY

greenworks



Greenworks hereby warrants this product, to the original purchaser with proof of purchase, for a period of three (3) years against defects in materials, parts or workmanship. Greenworks, at its own discretion will repair or replace any and all parts found to be defective, through normal use, free of charge to the customer. This warranty is valid only for units which have been used for personal use that have not been hired or rented for industrial commercial use, and that have been maintained in accordance with the instructions in the owners' manual supplied with the product from new.

ITEMS NOT COVERED BY WARRANTY:

1. Any part that has become inoperative due to misuse, abuse, neglect, accident, improper maintenance, or alteration.
2. The unit, if it has not been operated and/or maintained in accordance with the owner's manual.
3. Normal wear, except as noted below.
4. Routine maintenance items such as lubricating or sharpening.
5. Normal deterioration of the exterior finish due to use or exposure.

GREENWORKS HELPLINE (1-888-909-6757):

Warranty service is available by calling our toll-free helpline at **1-888-909-6757**.

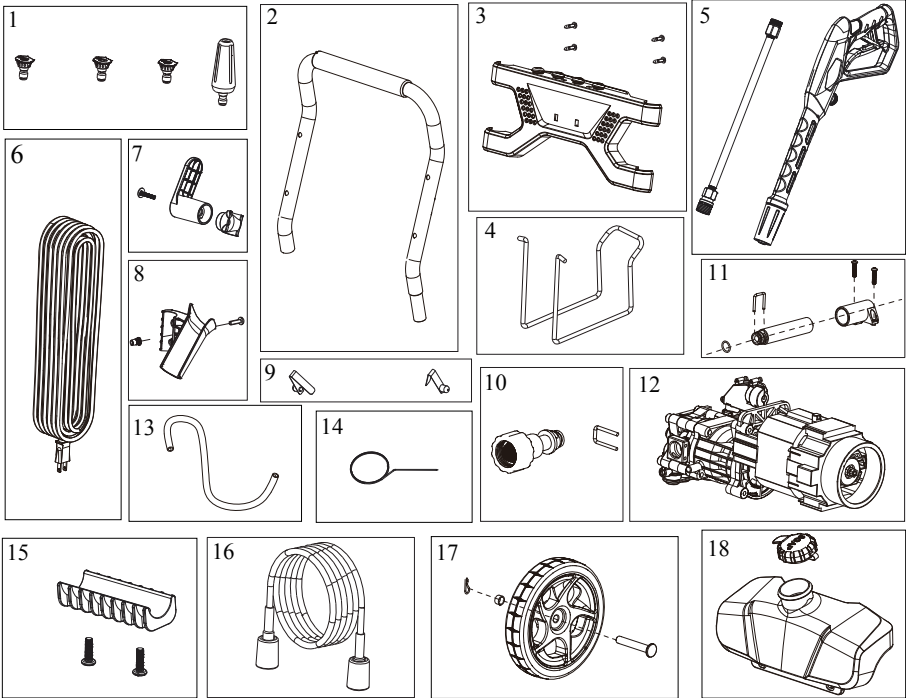
TRANSPORTATION CHARGES:

Transportation charges for the movement of any power equipment unit or attachment are the responsibility of the purchaser. It is the purchaser's responsibility to pay transportation charges for any part submitted for replacement under this warranty unless such return is requested in writing by **Greenworks**.

USA address:

Greenworks Tools
P.O. Box 1238
 Mooresville, NC 28115

EXPLODED VIEW



PARTS LIST

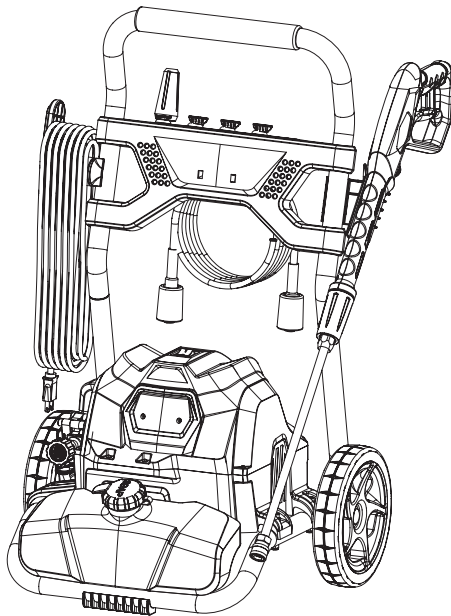
ITEM NO.	PART NO.	DESCRIPTION	QTY
1	R0203830-00	Kit, Spray tips	1
2	R0204091-00	Kit, Upper handle	1
3	R0204092-00	Kit, Spray tip storage panel	1
4	333011936	Kit, Hose hook	1
5	R0203820-00	Kit, Spray gun	1
6	R0204093-00	Kit, Power cord (with GFCI)	1
7	R0203834-00	Kit, Power cord storage arm	1
8	R0204095-00	Kit, Spray gun holder	1
9	C1108239-00	Spring Button	1
10	R0204096-00	Kit, Water inlet connector	1
11	R0204097-00	Kit, Water outlet connector	1
12	R0203841-00	Kit, Motor	1
13	34900365	Kit, Suction hose	1
14	33201671	Spray tip cleaning tool	1
15	R0204098-00	Kit, Frame foot pad	1
16	R0203839-00	Kit, High pressure hose	1
17	R0204099-00	Kit, Wheel	2
18	R0204100-00	Kit, Soap tank	1

greenworks

TOLL-FREE HELPLINE: 1-888-909-6757

greenworks

LAVADORA ELÉCTRICA A PRESIÓN DE 2000 LBS GPW 2003



Manual del operador



LÍNEA TELEFÓNICA GRATIS PARA AYUDA: 1-888-90WORKS

(888.909.6757)

www.greenworkstools.com

⚠ Antes de hacer funcionar esta herramienta, lea cuidadosamente todas las reglas de seguridad y las instrucciones.
IMPORTANTE , retener información para el futuro : lea atentamente!

ÍNDICE

Índice	2
Especificaciones del producto	2
Información sobre seguridad	3
Símbolos	6
Sistema eléctrico	8
Familiarícese con su lavadora a presión	9
Listado de embalaje	10
Ensamblaje	11
Funcionamiento	17
Mantenimiento	23
Resolución de averías	25
Garantía	27
Diagrama de componentes	28
Lista de piezas	29

ESPECIFICACIONES DEL PRODUCTO

Motor universal	120 V~60 Hz, 14 Amps
Presión máxima en libras por pulgada cuadrada	2000 PSI
Clasificación en galones por minuto	1.2 gpm
Temperatura máxima del suministro de agua	104°F (40°C)
Limpieza de las unidades	2,340 C.U.
Peso neto	27.73 lbs. (12.58 kg)



INFORMACIÓN DE SEGURIDAD

⚠ ADVERTENCIA

Lea y comprenda todas las instrucciones. No obedecer todas las instrucciones que se listan a continuación podría resultar en choques eléctricos, incendios o lesiones personales graves.

⚠ ADVERTENCIA

Al utilizar este producto se debe siempre observar ciertas precauciones básicas.

ANTES DE USAR ESTE PRODUCTO LEA TODAS LAS INSTRUCCIONES

- Para reducir el riesgo de lesiones, se debe suministrar supervisión constante al haber niños presentes cuando se está utilizando este producto.
 - Familiarícese completamente con los controles. Aprenda cómo detener el producto y liberar la presión rápidamente.
 - Manténgase alerta y ejerza control. Ponga atención a lo que está haciendo y use el sentido común. No opere el producto si está cansado. No se apresure.
 - No opere el producto mientras se encuentre bajo la influencia de drogas, alcohol o cualquier medicamento.
 - Mantenga el área de operación libre de personas, especialmente niños pequeños, así como de mascotas.
 - No extienda su cuerpo más allá de su alcance natural ni se pare sobre superficies inestables. Asiente bien los pies y mantenga su equilibrio en todo momento.
 - Siga las instrucciones de mantenimiento que se especifican en este manual.
-
-

⚠ ADVERTENCIA

Riesgo de inyección o lesiones: – No dirija el chorro de salida a otras personas ni animales.

CORDONS PROLONGATEURS

- Quand vous utilisez l'outil électrique à une distance considérable de la source d'alimentation en électricité, assurez-vous d'utiliser un cordon prolongateur de capacité suffisante pour rapporter le courant que le produit soutiendra. Un cordon prolongateur de calibre insuffisant causera une perte de tension, pouvant résulter ainsi **une surchauffe, une perte de puissance, et / ou déclenchement de disjoncteur ou le disjoncteur de fuite à la terre**. Utilisez le tableau pour déterminer le calibre minimum de fil requis pour un cordon prolongateur. Utilisez exclusivement des cordons à gaine cylindrique homologués par Underwriter's Laboratories (UL). Pour les travaux à l'extérieur, utilisez un cordon prolongateur spécialement conçu à cet effet. La gaine des cordons de ce type porte l'inscription « W-A » ou « W ». Avant d'utiliser un cordon prolongateur, vérifiez que ses fils ne sont ni détachés ni exposés et que son isolation n'est ni coupée, ni usée. Il est possible d'attacher le cordon d'alimentation et le cordon prolongateur par un noeud pour éviter qu'ils se détachent pendant l'utilisation. Faites le noeud et branchez la fiche du cordon d'alimentation dans la prise du cordon prolongateur. Cette méthode peut aussi être utilisée pour attacher ensemble deux cordons prolongateurs.
-
-

⚠ ADVERTENCIA

Para reducir el riesgo de electrocución, mantenga todas las conexiones secas y alejadas del suelo. No toque el enchufe con las manos mojadas.

⚠ ADVERTENCIA

Vérifiez les cordons prolongateurs avant chaque usage. Remplacez immédiatement les cordons endommagés. N'utilisez jamais le produit avec un cordon endommagé car le contact avec l'endroit endommagé pourrait causer un choc électrique et résulter un une blessure sérieuse.

INFORMACIÓN DE SEGURIDAD

▲ A D V E R T E N C I A

Tenez le cordon prolongateur loin de la zone de travail. Placez le cordon de façon à ce qu'il ne puisse pas être pris dans les pièces de bois, des outils ou d'autres obstructions quand vous travaillez avec un outil électrique. Le non respect de cet avertissement pourrait résulter en des blessures graves.

- Familiarícese con el producto. Lea cuidadosamente el manual del operador. Aprenda los usos y limitaciones de la máquina así como los peligros potenciales específicos para el producto.
- Para reducir los riesgos de lesiones, mantenga alejados a los niños y los visitantes. Todos los visitantes deben utilizar gafas de seguridad y mantenerse a una distancia prudencial de la zona de trabajo.
- Utilice el producto correcto para el trabajo que vaya a realizar. No obligue al producto o accesorios a efectuar tareas para las cuales no fueron diseñados. No lo use para propósitos no adecuados.
- Use la vestimenta apropiada. No use ropa, guantes, collares o joyería holgados. Estos se podrían atorar y arrastrarlo hacia las piezas móviles. Al trabajar a la intemperie se recomienda usar guantes de caucho y calzado antideslizante. Además use una cubierta protectora para contener el cabello largo.
- No haga funcionar el equipo estando descalzo ni al usar sandalias o calzado ligero similar. Use calzado protector que resguarde sus pies y aumente su tracción en superficies lisas. • Sea precavido para evitar deslices o caídas.
- Sea precavido para evitar deslices o caídas.
- Use siempre protección para los ojos con cubiertas laterales y viñetas que indiquen que cumple la norma ANSI Z87.1. Observar esta regla reduce el riesgo de lesiones personales graves.
- Use solamente los accesorios recomendados. El uso de accesorios inadecuados podría provocar riesgo de lesiones.
- Verifique que no existan piezas dañadas. Antes de continuar usando el producto, se debe revisar cuidadosamente todas las piezas para establecer si han de funcionar apropiadamente y efectuar la función para la ellas se les diseñó. Compruebe que las piezas móviles están alineadas y que no se traban, que no hay piezas quebradas, montaje y que no hay alguna otra condición que pudiera afectar su funcionamiento. Para evitar los riesgos de lesiones personales, un centro de servicio autorizado debe reparar o reemplazar adecuadamente las cubiertas protectoras u otras piezas dañadas.
- Nunca deje el producto encendido sin la debida atención. Apáguelo. No se aleje del producto hasta haberse detenido completamente.
- Mantenga el motor libre de grama, hojas y grasa para reducir la posibilidad de incendios.
- Siga las recomendaciones del fabricante en cuanto a cómo cargar, descargar, transportar y almacenar la máquina con seguridad.
- Mantenga el producto seco, limpio y libre de aceite y grasa. Al limpiarlo use siempre un paño limpio. Nunca use fluido para frenos, gasolina, productos a base de petróleo ni cualquier solvente para limpiar el producto.
- Revise el área de trabajo cada vez antes de usarlo. Quite todo objeto inadecuado tal como rocas, fragmentos de vidrio, clavos, alambre o una cuerda que puede ser arrojada por la máquina.
- No use el producto si el interruptor no lo enciende o apaga. Haga que un centro para servicio autorizado reemplace los interruptores defectuosos.
- Evite los entornos peligrosos. No la exponga a la lluvia. Mantenga el área de trabajo bien iluminada.
- No maltrate el cordón. Nunca use el cordón para portar el producto ni para desconectar su enchufe del tomacorriente. Mantenga el cordón alejado del calor, aceite, bordes filosos y pieza móviles. Reemplace inmediatamente los cordones dañados. Los cordones dañados aumentan el riesgo de choques eléctricos.
- Nunca dirija el chorro de agua hacia otras personas ni animales o dispositivos eléctricos.
- Antes de comenzar cualquier operación de limpieza, cierre las puertas y ventanas. Quite del área a limpiar los desechos, juguetes, muebles para patios y otros objetos que pudieran crear peligro.

INFORMACIÓN DE SEGURIDAD

- No use en este producto ácidos, alcalinos, solventes, materiales inflamables, lejías o soluciones de grado industrial. Estos productos pueden provocar lesiones físicas al operador así como daños irreversibles a la máquina.

▲ A D V E R T E N C I A

Los chorros de alta presión pueden ser peligrosos si se les da mal uso. No se debe dirigir el chorro hacia personas, animales, dispositivos eléctricos ni a la máquina misma.

- Mantenga el motor alejado de materiales inflamables o peligrosos.
- Revise los pernos y las tuercas flojos que fijan la lavadora a presión Shell antes de cada uso. Los pernos o tuercas sueltos podrían provocar problemas graves en el motor.
- Antes de almacenarlo, deje que el motor se enfríe.
- Al darle servicio use solamente repuestos idénticos. Usar cualquier otro repuesto podría provocar peligros o crear daños al producto.
- Use **SOLAMENTE** agua fría.
- Asegúrese de que existe una distancia mínima de 1 m (3 pies) de los materiales combustibles.
- Conecte la lavadora a presión solamente a circuitos con ramales individuales.
- Sostenga la manija y la vara firmemente con ambas manos. Esté a la expectativa de que la manija con gatillo se ha de mover debido a las fuerzas de reacción al tirar del gatillo. No esperarlo podría hacer que se pierda el control y provocar lesiones para usted y los demás.
- Guarde estas instrucciones. Léalas frecuentemente y úselas para capacitar a los demás usuarios. Si le presta a alguien este producto, préstele también estas instrucciones.

▲ A D V E R T E N C I A (P R O P U E S T A 6 5)

El polvo creado por la arena a chorro, el aserrado, esmerilado, taladrado y otras actividades de la construcción podría contener productos químicos que se sabe provocan cáncer, defectos de nacimiento y otras lesiones reproductivas. Algunos ejemplos de esos productos químicos son:

- Plomo en pintura a base de plomo
- Sílice cristalino en ladrillos, cemento y otros productos de mampostería,
- Arsénico y cromo de madera con tratamiento químico.










Su riesgo proveniente de la exposición varía, dependiendo de la frecuencia en que efectúe este tipo de trabajo. Para reducir su exposición a esos productos químicos: trabaje en áreas bien ventiladas y use equipo de seguridad aprobado, tal como las máscaras contra el polvo que son especialmente diseñadas para filtrar partículas microscópicas.

▲ A D V E R T E N C I A

Este producto contiene sustancias químicas, incluido el plomo, que según tiene conocimiento el Estado de California provoca cáncer, defectos congénitos y otros daños reproductivos. No beba agua de esta manguera. Lávese las manos después de usarla.




SÍMBOLOS

Este producto podría contener algunos de los siguientes símbolos. Sírvase estudiarlos y aprender su significado. La interpretación apropiada de esos símbolos le permitirá operar mejor el producto y de una forma más segura.

SÍMBOLO	DESIGNACIÓN	EXPLICACIÓN
V	Voltios	Voltage
A	Amperios	Corriente
Hz	Hertz	Frecuencia (ciclos por segundo)
W	Vatios	Potencia eléctrica
no	Velocidad sin carga	Velocidad de giro al no haber carga
~	Corriente alterna	Tipo de corriente
/min	Por minuto	Revoluciones, carreras, velocidad superficial, órbitas, etc. por minuto
	Alerta de seguridad	Indicates a potential personal injury hazard.
	Lea el manual del operador	Para reducir el riesgo de lesiones el usuario debe leer y comprender el manual del operador antes de usar el producto.
	Protección para los ojos	Use siempre protección para los ojos con cubiertas laterales que indiquen que cumple la norma ANSI Z87.1.
	Alerta de condiciones húmedas	No la exponga a la lluvia ni la use en lugares húmedos o mojados.
	Riesgo de inyección	Para reducir el riesgo de inyección o lesiones, nunca dirija un chorro de agua hacia personas ni animales ni coloque cualquier parte del cuerpo en el camino del chorro. Las mangueras y acoplamientos con fugas también pueden provocar lesiones por inyección. No toque las mangueras ni acoplamientos.
	Culatazos	Cuando la máquina esté encendida, para reducir el riesgo de lesiones por culatazos, sostenga la vara para rocío firmemente con ambas manos.
	Choques eléctricos	Si no se le usa en condiciones secas y no se obedecen las prácticas de seguridad se podrían provocar choques eléctricos.
	Quemaduras por químicos	Para reducir el riesgo de lesiones o daños, NO USE EN ESTE PRODUCTO ÁCIDOS, ALCALINOS, LEJÍA, SOLVENTES, MATERIALES INFLAMABLES, NI SOLUCIONES DE GRADO INDUSTRIAL.
	Riesgo de explosión	El combustible y los vapores del mismo son explosivos y pueden causar quemaduras graves e incluso la muerte.

SÍMBOLOS

Los siguientes rótulos y significados se usan para explicar el nivel de riesgo relacionado con este producto.

SÍMBOLO	AVISO	MEANING
	PELIGRO	Indica situaciones inminentemente peligrosas que, si no se evitan, resultan en la muerte o en lesiones serias.
	ADVERTENCIA	Indica situaciones potencialmente peligrosas que, si no se evitan, podrían resultar en la muerte o en lesiones serias.
	PRECAUCIÓN	Indica situaciones potencialmente peligrosas que, si no se evitan, podrían resultar en lesiones entre mínimas y moderadas.
	PRECAUCIÓN	(Sin el símbolo de alerta por seguridad) indica una situación que podría resultar en daños a la propiedad.

SERVICIO

Para dar servicio es necesario tener extremo cuidado y conocimiento, el servicio debe ser proporcionado solamente por técnicos de servicio calificados. Sugerimos que para dar servicio al producto lo regrese a su **CENTRO DE SERVICIO AUTORIZADO** más cercano para que lo reparen. Al dar servicio, use solamente repuestos idénticos.

A D V E R T E N C I A

Para evitar lesiones personales graves, no trate de usar este producto antes de leer completamente el manual del operador y haberlo comprendido en su totalidad. Si no comprende las advertencias y las instrucciones que aparecen en el manual del operador, no use el producto. Llame al departamento de atención al consumidor (1-888-909-6757), y le brindaremos asistencia.

A D V E R T E N C I A



Toda herramienta eléctrica al funcionar puede lanzar objetos extraños hacia sus ojos, lo que podría provocarles lesiones graves. Antes de comenzar el funcionamiento de una herramienta eléctrica, use siempre gafas de seguridad o anteojos de seguridad con protecciones laterales y, si es necesario, una careta completa. Recomendamos usar caretas de seguridad con rango visual ancho encima de anteojos, o usar anteojos estándar de seguridad con protecciones laterales. Use siempre protección para los ojos con viñetas que indiquen que cumple ANSI Z87.1.

GUARDAR ESTAS INSTRUCCIONES

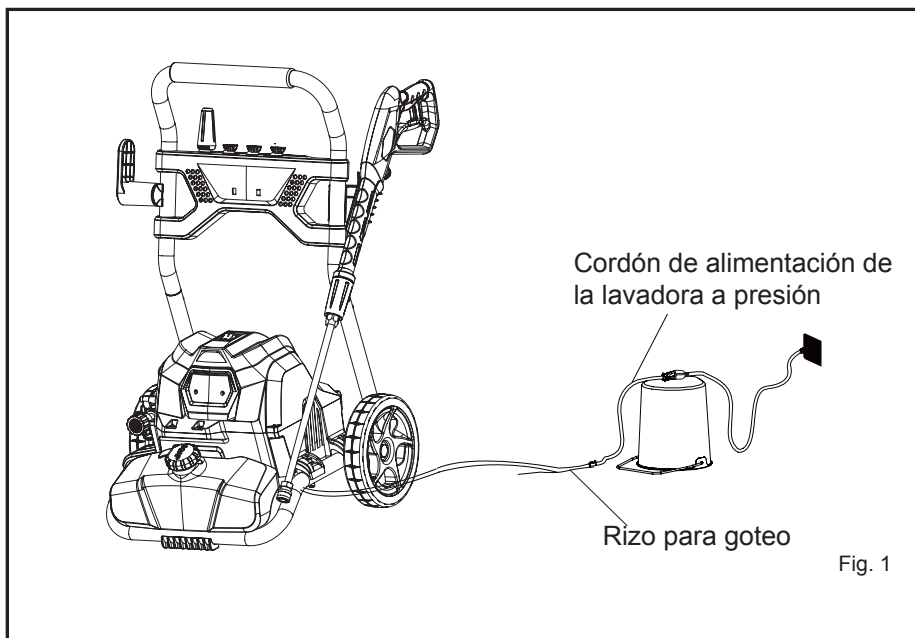
SISTEMA ELÉCTRICO

CONEXIONES ELÉCTRICAS

Este producto cuenta con un motor eléctrico de construcción precisa. Se le debe conectar a una fuente de alimentación de 120 voltios, CA solamente (la corriente normal en los hogares), 60 Hz. No haga funcionar este producto con corriente directa o continua (CC). Las diferencias de voltaje sustanciales provocarían pérdidas de potencia, y el motor se sobrecalentaría.

RIZO PARA GOTEO

Para evitar que fluya agua a lo largo del cable de alimentación, y posiblemente llegue al enchufe y al tomacorriente, recomendamos utilizar un rizo para goteo tal y como se muestra a continuación.



⚠ ADVERTENCIA

Mantenga el cordón fuera del área de trabajo. Coloque el cordón de tal manera que no se trabe en madera, herramientas u obstrucciones mientras trabaja con herramientas eléctricas. No atender esta indicación puede provocar lesiones personales graves.

FAMILIARÍCESE CON SU LAVADORA A PRESIÓN

Para usar con seguridad este producto es necesario comprender la información que se presenta en la herramienta y en el presente manual del operador, así como tener conocimiento del proyecto que se intenta efectuar. Antes de usar este producto, familiarícese con todas las características de funcionamiento y las reglas de seguridad. (Vea ka figura 2.)

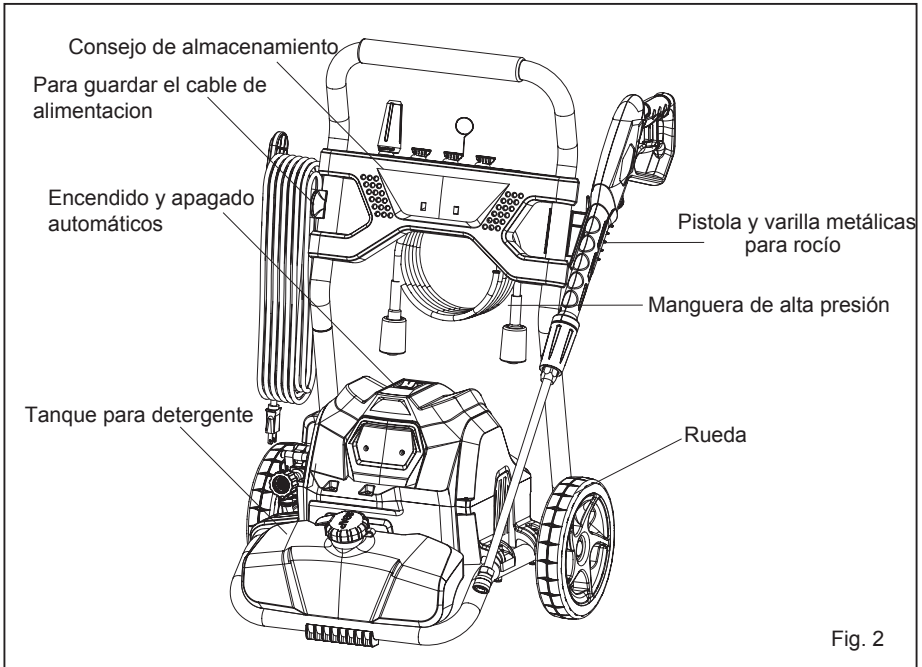


Fig. 2

TANQUE PARA DETERGENTE

Para agregar detergente a la lavadora a presión, quite el tapón del tanque de detergente.

ENCHUFE GFCI

La lavadora a presión está equipada con un enchufe GFCI que la protege contra el peligro de corriente por falla a tierra. El enchufe no protege contra cortocircuitos, sobrecargas ni choques eléctricos.

ENCENDIDO Y APAGADO AUTOMÁTICOS

Esta lavadora de presión está equipada con una función Auto Start / función de parada. Para operar: Sitúe el interruptor de encendido en la posición de encendido (I). La bomba dejará presionar y cerrar inmediatamente. Once el gatillo de la pistola se presiona la unidad se enciende. Unidad se apagará y estar en modo de espera cuando se suelta el gatillo.

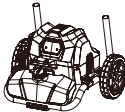

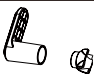


















PARA GUARDAR EL CABLE DE ALIMENTACIÓN

El cable de alimentación puede ser envuelto y guardado con la correa de velcro situado en el mango inferior.

PISTOLA Y VARILLA METÁLICAS PARA ROCÍO

El gatillo y Wand le permite operar la lavadora a presión apretando el gatillo para activar la bomba para rociar agua con la punta de la punta de pulverización deseada.

PACKING LIST

DESCRIPCIÓN	PIEZA N°	FIGURA	QTD
Lavadora a presión	5118202VT		1
Asa superior	331002583		1
Retenedor de cable	341013231		1
Gancho de la manguera	333011936		1
Conjunto del panel de punta de rociado (punta de rociado incluida).	C1105624-00		1
Pistola y varilla	31140363AB		1
Para rocío	31145363		1
Soporte de la pistola	341101936		1
Punta para boquilla turbo	31208363		1
Punta de pulverización	33201671		1
Tornillo	322011628		4
Tornillo	322011635		2
Tornillo	322351635		1
Ruedas	319081923		2
Arandelas	32908301A		2
Manguito del eje	332042583		2
Pivotes de enganche	3320643		2
Eje de la rueda	33210847		2
Manguera de alta presión	311311635		1
Manuel d'instruction	P0803500-00		1
Guía de inicio rápido	P0803501-00		1

ENSAMBLAJE

DESEMPAQUETADO

Es necesario ensamblar este producto.

- Saque cuidadosamente el producto y los accesorios de la caja. Asegúrese de encontrar todos los artículos mencionados en el listado de embalaje.
- Revise el producto cuidadosamente para asegurarse de que no se quebró o dañó durante el envío.
- No deseche el material de empaque antes de inspeccionar cuidadosamente el producto y de hacerlo funcionar satisfactoriamente.
- Si hay alguna pieza dañada o faltante, sírvase llamar al 1-888-909-6757 para recibir ayuda.

⚠ ADVERTENCIA

No use este producto si a la hora de desempaquetarlo cualquiera de las piezas mencionadas en el Listado de Embalaje se encuentra ya ensamblada al producto. Las piezas que se mencionan en esa lista no han sido ensambladas por el fabricante y es necesario que el cliente las ensamble. El uso de un producto que pudiera haber sido ensamblado inadecuadamente podría resultar en lesiones personales graves.

⚠ ADVERTENCIA

Si falta alguna pieza o está dañada, no opere este producto hasta reemplazar la pieza. Usar este producto con piezas dañadas o faltantes podría resultar en lesiones personales graves.

⚠ ADVERTENCIA

No conecte la fuente de alimentación hasta haber terminado el ensamblaje. No cumplir estas instrucciones podría provocar arranques accidentales y posibles lesiones personales graves.

⚠ ADVERTENCIA

No intene modificar este producto ni crear accesorios que no han sido recomendados para ser usados con este producto. Tales alteraciones o modificaciones consisten en mal uso y podrían resultar en condiciones peligrosas con posibles consecuencias de lesiones personales graves.

ENSAMBLAJE

MONTAJE DE LA RUEDA *Vea ka figura 3.*

- Inserte el eje (A) a través de la rueda (I), el manguito del eje (M), el bastidor de la unidad y, por último, una arandela (J).
- Inserte un pasador de chaveta (K) a través del orificio en el eje para fijarlo. Repita la misma operación con la segunda rueda.

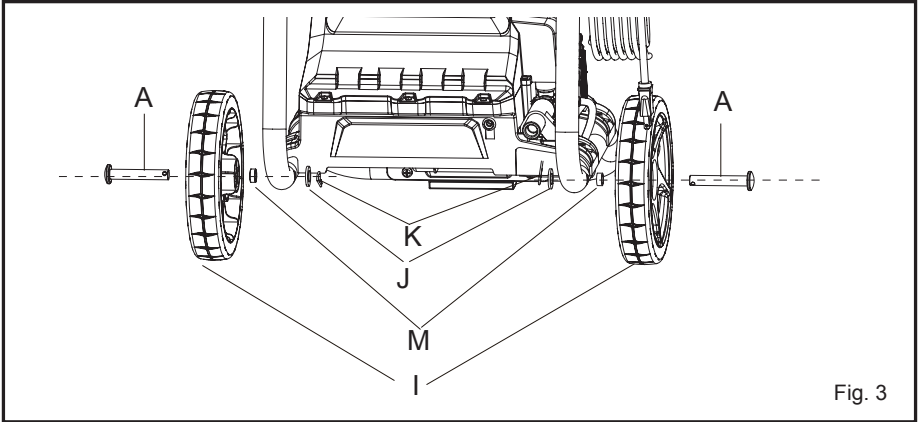


Fig. 3

MONTAJE DEL PARA GUARDAR EL CABLE DE ALIMENTACIÓN *Vea ka figura 4.*

- Alinee el tornillo con los orificios de la caja del cable de electricidad y el mango superior.
- Empuje el tornillo y apriételo.

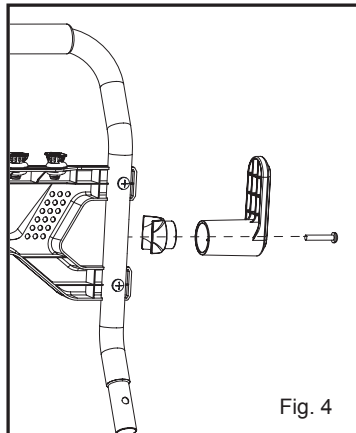


Fig. 4

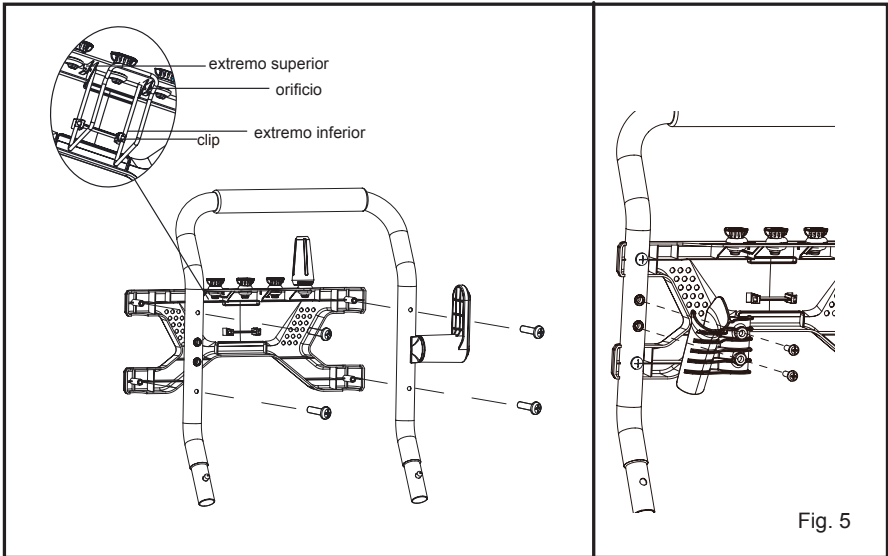
ENSAMBLAJE

MONTAJE DEL CONJUNTO DEL PANEL DELANTERO Y SOPORTE DE LA PISTOLA *Vea ka figura 5.*

- Alinee las mangas de tornillo con los agujeros en el mango superior y empuje.
- Coloque el tornillo girando hacia la derecha (no incluido) hasta que el tornillo quede apretado.

MONTAJE DEL GANCHO DE LA MANGUERA *Vea ka figura 5.*

- Alinee el extremo superior del gancho de la manguera con los orificios en la trasera del panel frontal.
- Inserte el gancho de la manguera en el orificio y empuje.
- Alinee el extremo inferior del gancho de la manguera con el clip en la trasera del panel frontal.



ENSAMBLAJE

MONTAJE DE LA ASA DE *Vea ka figura 6.*

- Mantenga pulsado los botones en ambos lados del conjunto superior de mangos mientras desliza el mango para el marco inferior.

NOTA: Antes de utilizar el aparato, y para mantener el asa en su lugar, tire hacia arriba de esta hasta que el botón de bloqueo quede trabado en las ranuras de bloqueo.

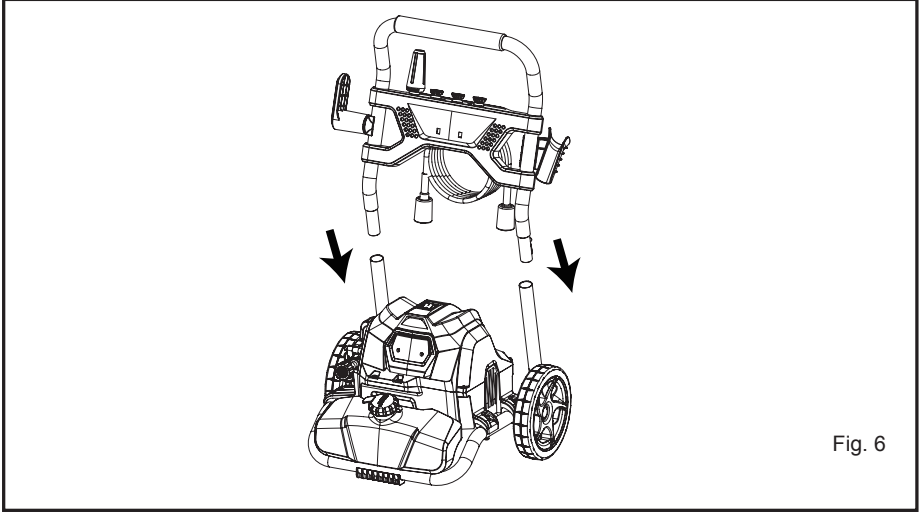


Fig. 6

CÓMO ENSAMBLAR LA VARA PARA ROCÍO *Vea ka figura 7.*

- Empuje el extremo de la varilla de pulverización para el conjunto del gatillo y gire en el sentido horario para sujetar.
- Tire de la vara para rocío para comprobar que está asegurada adecuadamente.

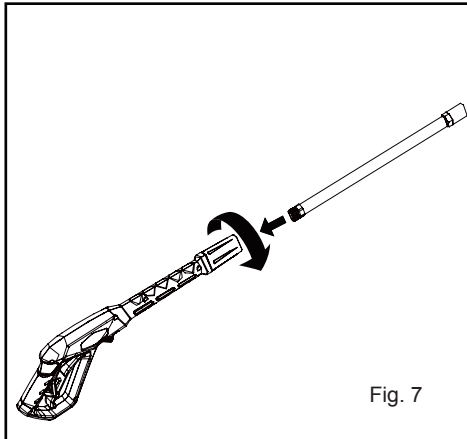


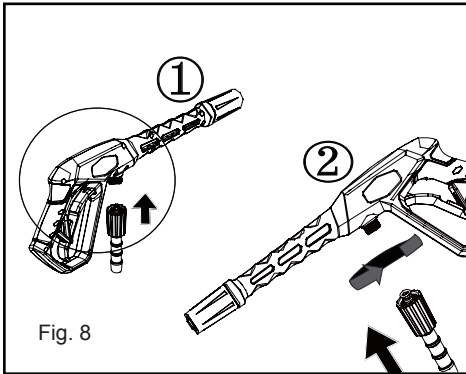
Fig. 7

ENSAMBLAJE

CONEXIÓN DE LA MANGUERA DE ALTA PRESIÓN AL CONJUNTO DEL GATILLO *Vea ka figura 8.*

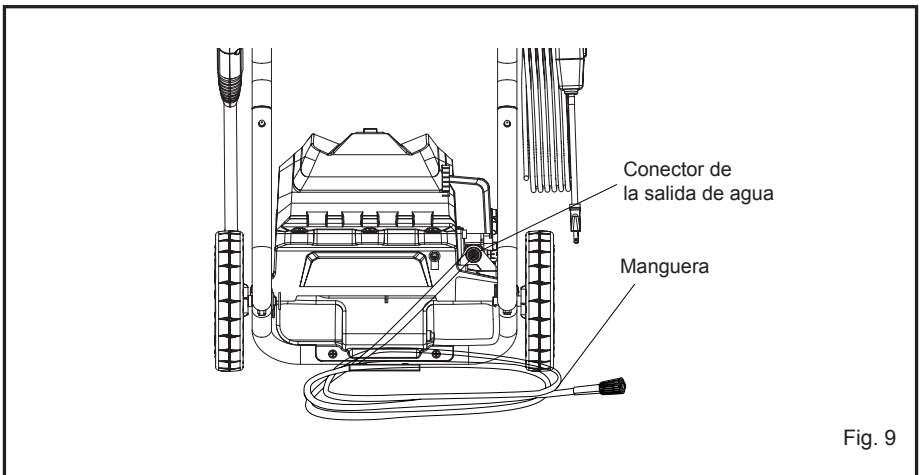
- Alinear la manguera de presión con el mango del gatillo y empuje hacia arriba y en posición.
- Con manguera empujado en su posición en el mango del gatillo seguro en su lugar girando el bloqueo de la manguera hacia la derecha hasta que esté completamente apretado.

NOTA: Para instalar más fácilmente la manguera en el aparato o disparador se recomienda aplicar presión de la hidrolavadora o detergente para vajilla a la junta de goma de cada extremo de la manguera, lo que permitirá una instalación más sencilla y un mejor ajuste.



CONEXIÓN DE LA MANGUERA DE ALTA PRESIÓN CON EL MANGO DEL GATILLO *Vea ka figura 9.*

- Conecte un extremo de la manguera al conector de la toma de agua y el otro extremo a la pistolagatillo.



ENSAMBLAJE

CÓMO CONECTAR LA MANGUERA DE JARDÍN *Vea ka figura 10.*

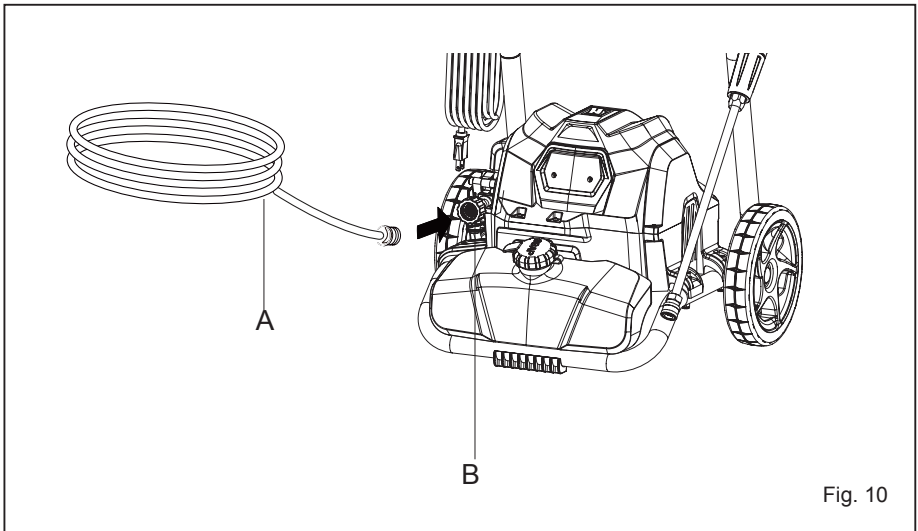
⚠ PRECAUCIÓN

Obedezca siempre los reglamentos locales al conectar mangueras a las tuberías de abastecimiento de agua. Algunas municipalidades imponen restricciones contra la conexión directa al suministro público de agua potable para evitar la retroalimentación de productos químicos. Generalmente es permitida la conexión directa a través de un tanque receptor.

- Desenrolle la manguera de jardín.

NOTA: *Debe haber por lo menos 3 m (10 pies) de manguera de jardín sin restricción entre la entrada de agua y el grifo para la manguera de jardín o válvula de cierre (tal como un conector de cierre en "Y").*

- Deje correr el agua por la manguera (A) durante 30 segundos para eliminar posibles residuos que se encuentren en ella.
- Inspeccione el tamiz en la entrada de agua(B).
- Si el tamiz está dañado, no use la máquina hasta reemplazarlo.
- Si el tamiz está sucio, límpielo antes de conectar la manguera de jardín a la máquina.
- Manteniendo apagado el grifo de la manguera, conecte el extremo de la manguera de jardín a la entrada de agua. apriete a mano sólo.



FUNCIONAMIENTO

⚠ ADVERTENCIA

No permita que la familiarización con el producto se convierta en descuido. Recuerde que un descuido por una fracción de segundo es suficiente para producir lesiones graves.

⚠ ADVERTENCIA

Use siempre protección para los ojos con cubiertas laterales y viñetas que indiquen que cumple la norma ANSI Z87.1. No hacerlo podría resultar en que objetos siendo lanzados golpeen sus ojos y posiblemente provoquen lesiones graves.

⚠ ADVERTENCIA

No use accesorios o utensilios no recomendados por el fabricante del producto. Usar accesorios o utensilios no recomendados podría resultar en lesiones personales graves.

⚠ ADVERTENCIA

Nunca dirija el chorro de agua hacia otras personas ni animales o dispositivos eléctricos. No obedecer esta advertencia podría producir lesiones graves.

APLICACIONES

Puede usar este producto para los propósitos listados a continuación:

- Limpieza de lanchas, coches, camiones, motocicletas, muebles para patios, parrillas, revestimientos de paredes exteriores, entradas, patios y cubiertas.

DETERGENTE AÑADIR Y USO

Use solamente detergentes diseñados para lavadoras a presión; los detergentes comunes para el hogar, ácidos, alcalinos, blanqueadores, solventes, materiales inflamables y las soluciones para uso industrial pueden dañar la bomba. Muchos detergentes podrían requerir ser mezclados antes de su utilización. Prepare la solución para limpieza de acuerdo a las instrucciones en la botella de solución.

APLICACIONES *Vea la figura 11.*

El jabón es aplicado en virtud del volumen de baja presión alta para un rendimiento óptimo.

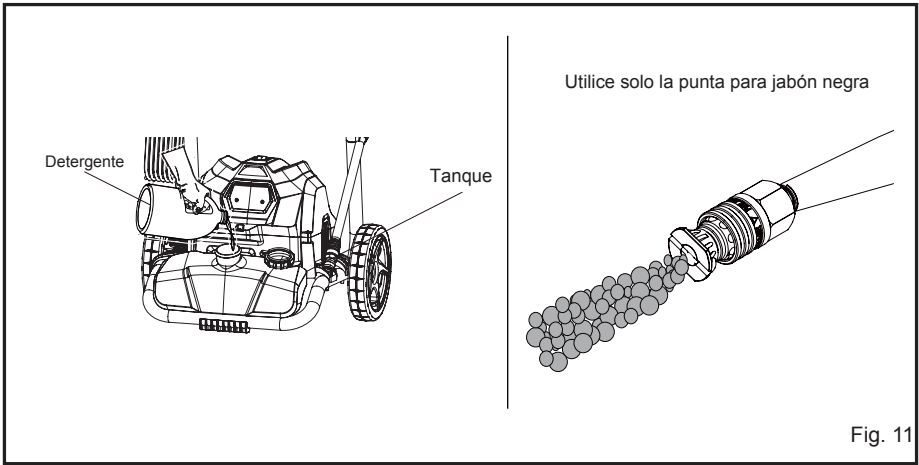
El jabón no se puede aplicar a alta presión con esta máquina.

El jabón o detergente solo puede aplicarse en este aparato una vez instalada la punta para jabón (75 °) negra.

Para Añadir:

- Coloque montante de presión en una.
- Superficie plana Quite tapa del tanque de.
- Detergente Vierte detergente en el tanque.
- Coloque de nuevo la tapa.

FUNCIONAMIENTO



⚠ PRECAUCIÓN

Utilice detergentes aprobados solamente para lavadoras de presión. No utilice blanqueador, cloro o algún detergente que contenga ácido.

Para Usar:

- Conecte la punta de pulverización de detergente de jabón en el conector de la lanza.
- Presione el gatillo de la pistola y el detergente saldrá automáticamente por la punta de pulverización de aspersion.

NOTA: Para evitar derramar accidentalmente detergente fuera del tanque use un embudo, si es necesario. Si se derrama detergente durante el proceso de llenado, asegúrese de limpiar la unidad y secarla antes de continuar.

FUNCIONAMIENTO

CÓMO ARRANCAR Y PARAR LA LAVADORA A PRESIÓN *Vea ka figura 12.*

⚠ PRECAUCIÓN

No haga funcionar la bomba sin que el suministro de agua esté conectado y encendido.

- Conecte la manguera de jardín.
- Gire la manguera del jardín de entonces apretar el gatillo y corra agua manga con el motor en LEJOS posición hasta que una corriente constante de agua parezca. Esto ayuda aire de resumidero del tanque y líneas.

NOTA: Si pulsa la lavadora a presión y el flujo de agua es intermitente a su vez la arandela de presión y continuar para purgar el aire del sistema. Asegúrese de verificar que la manguera del jardín está totalmente encendido y no retorcida que podría evitar que el aire en el sistema y palpitante.

- Luego de asegurarse de que el interruptor de apagado y encendido se encuentra en la posición de apagado (O), conecte la lavadora a presión a la fuente de alimentación.
- Presione el botón de reinicio (reset) en el enchufe de la lavadora a presión para garantizar que la unidad está lista para funcionar.
- Gire el interruptor hasta la posición ON (I) para encender el motor.
- Para detener el motor, suéltelo y gire el interruptor a la posición de apagado, OFF (O).

NOTA: La lavadora a presión podría estar encendida y el sistema podría tener presión aun cuando no se escuche que la bomba o el motor estén funcionando. Observe precaución alrededor de la lavadora a presión.

⚠ PRECAUCIÓN

La lavadora a presión podría estar encendida y el sistema podría tener presión aun cuando no se escuche que la bomba o el motor estén funcionando. Observe precaución alrededor de la lavadora a presión.

NOTA: AUTO ON / OFF: Esta lavadora de presión está equipado con una función Auto Start / función de parada. Para operar: Sitúe el interruptor de encendido en la posición de encendido (I). La bomba dejará presionar y cerrar inmediatamente. Once el gatillo de la pistola se presiona la unidad se enciende. Unidad se apagará y estar en modo de espera cuando se suelta el gatillo.

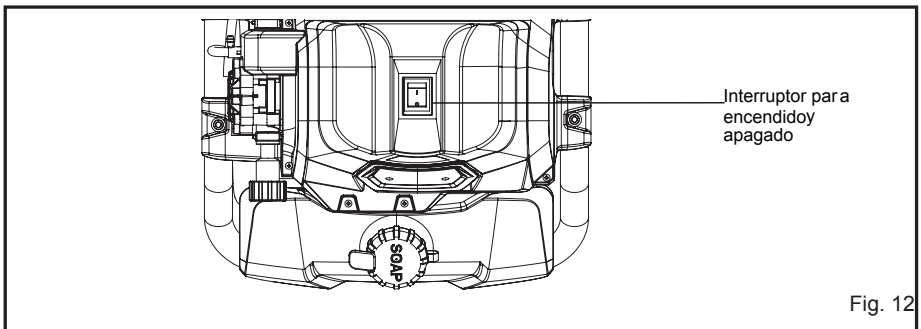


Fig. 12

FUNCIONAMIENTO

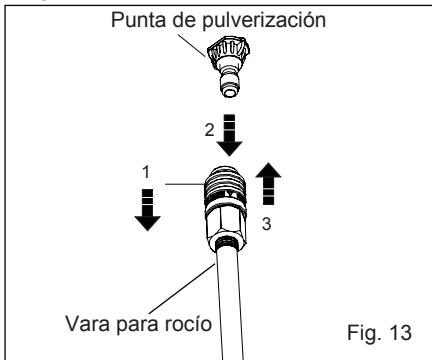
CÓMO USAR LAS PUNTA DE PULVERIZACIÓN (Vea ka figura 13)

Cada punta de pulverización presenta un patrón de rocío diferente. Antes de comenzar cualquier tarea de limpieza, decida cuál es la mejor punta de pulverización para la tarea. En el siguiente cuadro se presentan algunos lineamientos generales para ayudarlo a seleccionar la mejor punta de pulverización para su aplicación.

NOTA: Pruebe primero las puntas de rocío en un área de poca importancia.




- Apague la lavadora a presión y cierre el suministro de agua. Tire del gatillo para eliminar la presión de agua.
- Apriete el bloqueo del mango del gatillo empujando el gatillo hacia abajo hasta que quede ajustado en la ranura.
- Tire de la punta de la punta de pulverización que se desee de la barra de almacenamiento de la punta de pulverización sobre el asa plegable de las unidades.
- Retire el collar de conexión rápida en la varilla de rociado.
- Coloque la punta de pulverización en la varilla para rocío.
- Presione el collarín hacia adelante a modo de asegurar apropiadamente la punta de pulverización. Compruebe que la punta de pulverización está asegurada.

NOTA: Compruebe que el grifo está completamente abierto y que no hay dobleces o fugas en la manguera.




- 1-Retraiga el collarín para conexión rápida
- 2-Coloque la punta de pulverización
- 3-Presione el collarín hacia adelante

Fig. 13

PUNTA DE PULVERIZACIÓN	APPLICATION
 <p>25°</p>	<p>Verde: punta para abanico estrecho (25°)</p> <ul style="list-style-type: none"> ■ La punta verde de la lavadora a presión suministra una gran versatilidad con su punta para ángulo de 25 grados. Conocida como la punta para limpieza, debido a que suministra una adecuada presión para eliminar la suciedad en las superficies, pero esta a la vez diseñada para evitar dañar muchas superficies. Se ha diseñado esta punta de la lavadora a presión para “barrer” follaje o desechos ya que cuenta con un amplio ángulo. Esta punta es muy versátil debido a su amplia área de limpieza y su fuerte presión de aplicación.
 <p>40°</p>	<p>Blanca: punta para abanico ancho (40°)</p> <ul style="list-style-type: none"> ■ La punta blanca para 40 grados, conocida como la punta de “abanico”, genera el área más amplia de limpieza a una presión relativamente baja. Esta punta de la lavadora a presión se utiliza de mejor forma al hacer limpiezas leves o delicadas. Se le recomienda para la limpieza leve de cubiertas de madera así como de otras superficies suaves o delicadas.
 <p>SOAP</p>	<p>Negra: punta de pulverización para jabón</p> <ul style="list-style-type: none"> ■ La de punta de pulverización negra se utiliza para aplicar jabón. Se le usa para aplicar jabón. El jabón es aplicado en virtud del volumen de baja presión alta para un rendimiento óptimo. El jabón no se puede aplicar a alta presión con esta máquina.

FUNCIONAMIENTO

 <p>TURBO</p>	<p>Punta para boquilla turbo</p> <ul style="list-style-type: none">■ La boquilla gira en un patrón de rocío de cero to 15 grados con movimiento circular para destrabar la suciedad y la mugre resacas. El patrón de rocío puede cubrir un área de 4 a 8 pulgadas de ancho, dependiendo de la distancia entre la punta y la superficie a limpiar.
---	--

⚠ A D V E R T E N C I A

NUNCA cambie las punta de pulverizaci3n sin activar primero el bloqueador que se encuentra en la manija con gatillo y NUNCA apunte la vara hacia su cara ni hacia otras personas. El sistema de conexi3n r1pida contiene peque1os resortes que pudieran lanzar la punta de pulverizaci3n con cierta fuerza. No atender esta advertencia podr1a provocar lesiones personales.

C3MO DESCONECTAR UNA PUNTA DE PULVERIZACI3N DE LA MANIJA CONGATILLO LUEGO DE TERMINAR UNA TAREA DE LIMPIEZA:

- Apague la lavadora a presi3n y cierre el suministro de agua. Tire del gatillo para eliminar la presi3n de agua.
- Quite la punta de pulverizaci3n colocando su mano sobre ella y luego retrayendo el collar1n de conexi3n r1pida. Coloque la punta de pulverizaci3n en la zona de almacenamiento sobre el asa plegable de las unidades.

USO DE LMANGODELGATILLO (Vea ka figura 14)

Para mayor control y seguridad, mantenga ambas manos en el mango de gatillo todo el tiempo.

- Para iniciar el chorro de agua, oprima y no suelte el gatillo.
- Para interrumpir el flujo del chorro de agua por la punta de pulverizaci3n, suelte el gatillo.

PARA ACCIONAR EL SEGURO:

- Empuje hacia abajo el cierre hasta que encaje en la ranura.

PARA QUITAR EL SEGURO:

- Tire del cierre de seguridad para arriba hasta colocarlo en su posici3n original.

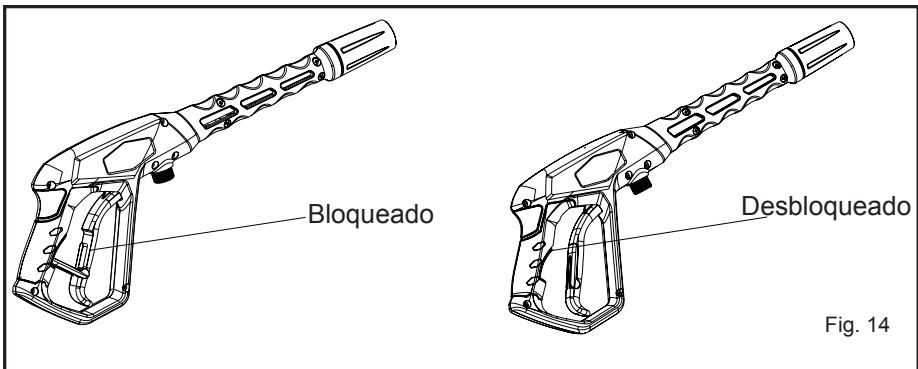


Fig. 14

FUNCIONAMIENTO

CÓMO OPERAR LA LAVADORA A PRESIÓN (Vea la figura 15)

Use solamente detergentes diseñados para lavadoras a presión. Muchos detergentes podrían requerir ser mezclados antes de su utilización. Prepare la solución para limpieza de acuerdo a las instrucciones en la botella de solución pressure.

a. Para limpiar:

- Vierta detergente en el tanque para detergente.
- Instale la punta de pulverización negra para jabón en la vara para rocío.
- Encienda la lavadora a presión y rocíe detergente en la superficie seca usando trazos traslapados, largos y uniformes. Para evitar las manchas, no deje que el detergente se seque en la superficie.

b. Para enjuagar:

- Con la punta de pulverización de 25°, rocíe un lugar sin importancia lejos de la superficie a enjuagar por aproximadamente 10 segundos para dejar que el detergente sobrante salga de los conductos.
- Comience en la parte superior del área a enjuagar y diríjase hacia abajo usando trazos traslapados.

Para lograr la limpieza más eficaz, la punta de pulverización rociadora debe estar de 203 mm a 610 mm (de 8 pulg. a 24 pulg.) de la superficie por limpiar. Si está demasiado cerca el chorro, puede dañar la superficie que está limpiándose.

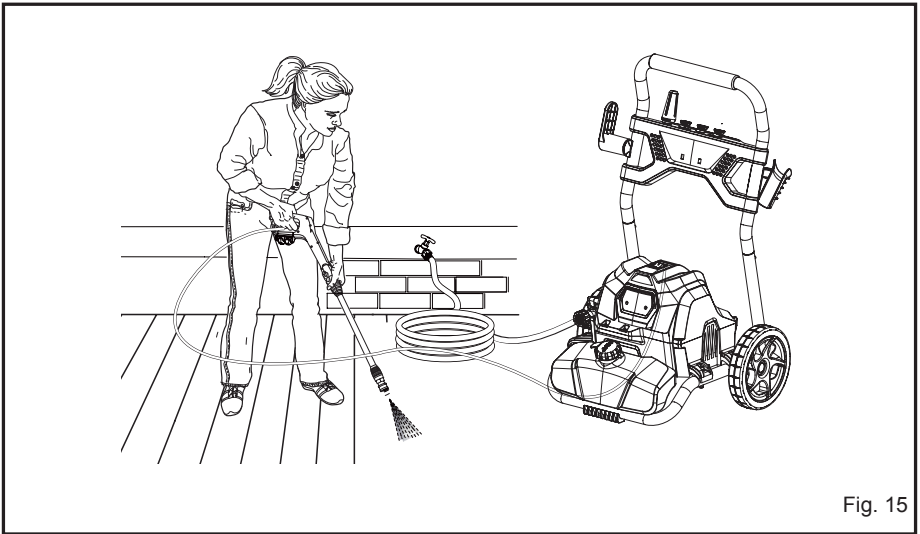


Fig. 15

CÓMO TRASLADAR LA LAVADORA A PRESIÓN

Para trasladar la lavadora a presión:

- Apague la lavadora a presión. Apunte la punta de pulverización hacia un lugar seguro y tire del gatillo para liberar la presión de agua.
- Ladee la máquina hacia usted hasta que se apoye en las ruedas y luego lleve la máquina al lugar deseado.

MANTENIMIENTO

⚠ ADVERTENCIA

Al dar servicio, use solamente repuestos idénticos. Usar cualquier otro repuesto podría provocar peligros o crear daños al producto.

⚠ ADVERTENCIA

Antes de inspeccionar, apague el aparato, desenchúfelo, apriete el gatillo para eliminar la presión del agua y desconecte la manguera de alta presión. No seguir estas instrucciones podría resultar en lesiones personales graves o daños a la propiedad.

MANTENIMIENTO GENERAL

⚠ ADVERTENCIA

En ningún momento deje que líquido para frenos, gasolina, productos a base de petróleo, aceite para penetración, etc. entre en contacto con las piezas de plástico. Los químicos podrían dañar, debilitar o destruir el plástico resultando en lesiones personales graves.

Sólo las piezas que aparecen en la lista de piezas están diseñadas para ser reparadas o reemplazadas por los clientes.

MANTENIMIENTO DE LAS PUNTA DE PULVERIZACIONES (Vea ka figura 16)

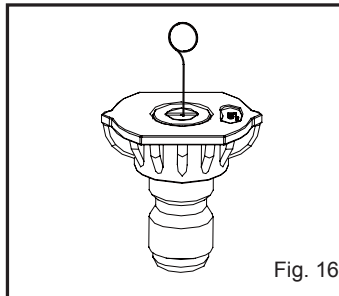
a. Las punta de pulverizaciones obstruidas o sucias podrían generar excesiva presión de la bomba (una sensación pulsante al apretar el gatillo).

- Desenchufe la lavadora a presión.
- Apague la lavadora a presión y cierre el suministro de agua. Tire del gatillo para eliminar la presión de agua.
- Quite la punta de pulverización de la vara para rocío.

NOTA: Nunca apunte la vara para rocío hacia su cara.

b. Con la herramienta de limpieza de la punta de pulverización siempre, libre de cualquier material extraño que esté tapando la abertura de la punta de pulverización.

- Con una manguera de jardín, saque los desechos de la punta de pulverización mediante un enjuague al revés (haciendo correr agua a través de la punta de pulverización en sentido inverso o sea desde afuera hacia adentro).
- Conecte de nuevo la punta de pulverización en la vara para rocío.
- Encienda el suministro de agua.



MANTENIMIENTO

CÓMO ALMACENAR LA LAVADORA A PRESIÓN

Almacénela en un lugar seco y bajo techo en el que el clima no la pueda dañar. Es muy importante almacenar este producto en un lugar libre de congelación. Antes de almacenarla, saque siempre el agua de las mangueras, la bomba y los recipientes para detergente.

NOTA: El uso de un protector para bombas permite un mejor desempeño y aumenta la vida útil de la máquina.

PROCEDIMIENTO RÁPIDO DE PREPARACIÓN PARA EL INVIERNO

Puede proteger su lavadora a presión del daño de invierno haciendo lo siguiente:

- Destrabe todas las conexiones de agua.
- Encienda la máquina por unos segundos, hasta que salga toda el agua sobrante en la bomba. Apáguela inmediatamente.
- No deje que la manguera de alta presión se retuerza.
- Almacene la máquina y los accesorios en un cuarto que no alcance la temperatura de congelación. No la almacene cerca de calefactores ni otras fuentes de calor ya que se podrían reseca los sellos de la bomba.

▲ PRECAUCIÓN

Seque toda el agua restante del conjunto de la pistola. Apunte la pistola hacia abajo y presione el gatillo.

CÓMO APAGARLA Y LIMPIARLA

- (Si no está usando detergente, dirijase al Paso 2). Al terminar de usar el sistema de inyección de detergente, llene la botella de detergente con agua limpia. Usando una posición de sifón, saque el agua durante un minuto usando presión baja para eliminar todo el detergente del sistema. Quite la botella de detergente y enjuáguela completamente.
- Desconecte la manguera de jardín de la entrada de agua de la unidad.
- Presione el gatillo para liberar la presión de agua sobrante.
- Sitúe el interruptor en la posición de apagado (O).
- Desenchufe el cordón eléctrico del tomacorriente.
- Active el bloqueador de seguridad de la pistola.

SI DESEA TOMAR UN DESCANSO

Si ha de tomar un descanso de cinco minutos o más.

- Active el bloqueador de seguridad de la pistola.
- Sitúe la unidad en la posición de apagado (O).
- Desenchufe el cordón eléctrico del tomacorriente.

▲ IMPORTANTE

Se recomienda utilizar un protector de bomba al guardar el aparato para prevenir la congelación en los meses de invierno. También contribuye a prevenir que las juntas se sequen mientras permanecen guardadas en cualquier situación climática.

RESOLUCIÓN DE AVERÍAS

PROBLEMA	CAUSAS POSIBLES	SOLUCIONES
El motor no arranca.	El interruptor de encendido y apagado se encuentra en la posición de apagado (O).	Sitúe el interruptor de encendido en la posición de encendido (I).
	El cordón de alimentación no está enchufado.	Enchufe el cordón de alimentación.
	El tomacorriente no suministra potencia adecuada.	Use un tomacorriente diferente.
	Se ha disparado el cortacircuitos de la lavadora a presión.	Deje que la unidad se enfríe y vuélvala a encender.
	Interruptor de encendido está en el gatillo sin embargo de armas no se exprime en ON.	Para activar el motor y la bomba presione el interruptor y apriete el gatillo de la pistola.
La unidad no alcanza la presión alta.	Diameter of garden hose is too small.	Reemplácela por una manguera de jardín de 25 mm (1 pulg.) o de 16 mm (5/8 pulg.)
	Se ha restringido el suministro de agua.	Compruebe que la manguera de jardín no presenta dobleces, fugas o bloqueos.
	No hay suficiente suministro de agua.	Abra completamente el suministro de agua.
	La punta de presión no se ha instalado en el ensamblaje de la lanza.	Una la punta de presión deseada al final de la lanza. Consulte la fig.
	El filtro en la entrada de agua está obstruido .	Quite el filtro y enjuaguelo con agua tibia.
La presión de salida varía entre alta y baja.	No hay suficiente suministro de agua en la entrada.	Abra el grifo completamente. Compruebe que la manguera de jardín no presenta dobleces, fugas o bloqueos.
	La bomba está succionando aire.	Compruebe que las mangueras y los acoplamientos son herméticos. Apague la máquina y purgue la bomba tirando del gatillo hasta que de la punta de pulverización salga un flujo constante de agua.
	La entrada de agua está obstruida.	Quite el filtro y enjuáguelo con agua tibia.
	El voltaje de alimentación está por debajo del mínimo	Compruebe que sólo la lavadora a presión está conectada en el circuito.
	Pistola, manguera o punta de pulverización de potencia calcificada	Haga pasar vinagre destilado por el tanque de detergente.

RESOLUCIÓN DE AVERÍAS

El motor zumba pero no funciona.	El voltaje de alimentación está por debajo del mínimo.	Compruebe que sólo la lavadora a presión está conectada en el circuito.
	El sistema tiene presión residual.	Apague la unidad, tire del gatillo de la vara para rocío para liberar la presión, luego encienda la unidad.
	Voltage loss due to extension cord.	Desenchufe los cordones de extensión y enchufe la unidad directamente en el tomacorriente.
	No se ha usado la lavadora a presión por largos períodos.	Llame a la línea de ayuda gratuita.
	Hay fricción residual entre los componentes. La unidad podría zumbar.	Desconecte el suministro de agua y encienda por 2 o 3 segundos, repita el procedimiento un par de veces o hasta que el motor arranque.
Il n'y a pas d'eau.	L'alimentation en eau est fermée.	Encienda el suministro de agua.
	Le tuyau d'arrosage est entortillé.	Elimine los retorcijos en la manguera de jardín.

greenworks



Por este medio y por un período de tres años GREENWORKS garantiza este producto contra defectos en materiales, piezas o mano de obra al comprador original que cuente con una prueba de compra. GREENWORKS, a su sola discreción reparará o reemplazará, sin costo alguno para el cliente, cualquier pieza que determine como defectuosa, siempre y cuando se haya hecho uso normal de ella. Esta garantía es válida solamente para unidades utilizadas de manera personal y que no hayan sido utilizadas o alquiladas para uso industrial o comercial, y que hayan recibido mantenimiento de acuerdo a las instrucciones que aparecen en el manual del propietario que se suministró con el producto nuevo.

ARTÍCULOS QUE NO CUBRE LA GARANTÍA:

1. Cualquier pieza que se haya vuelto inoperante debido a mal uso, uso comercial, abuso, descuido, accidente, mantenimiento inapropiado o alteración; o
2. La unidad, si no ha sido operada o si no se le ha dado mantenimiento de acuerdo al manual del propietario; o
3. Desgaste normal, excepto según se indica a continuación;
4. Procesos de mantenimiento rutinario tales como drenar el agua para evitar daños por congelamiento a la bomba y los componentes.
5. Deterioro normal del acabado exterior debido al uso y la exposición al entorno.

LÍNEA TELEFÓNICA PARA AYUDA DE GREENWORKS (1-888-909-6757):

Se puede obtener servicio relacionado con la garantía llamando de **1-888-909-6757**.

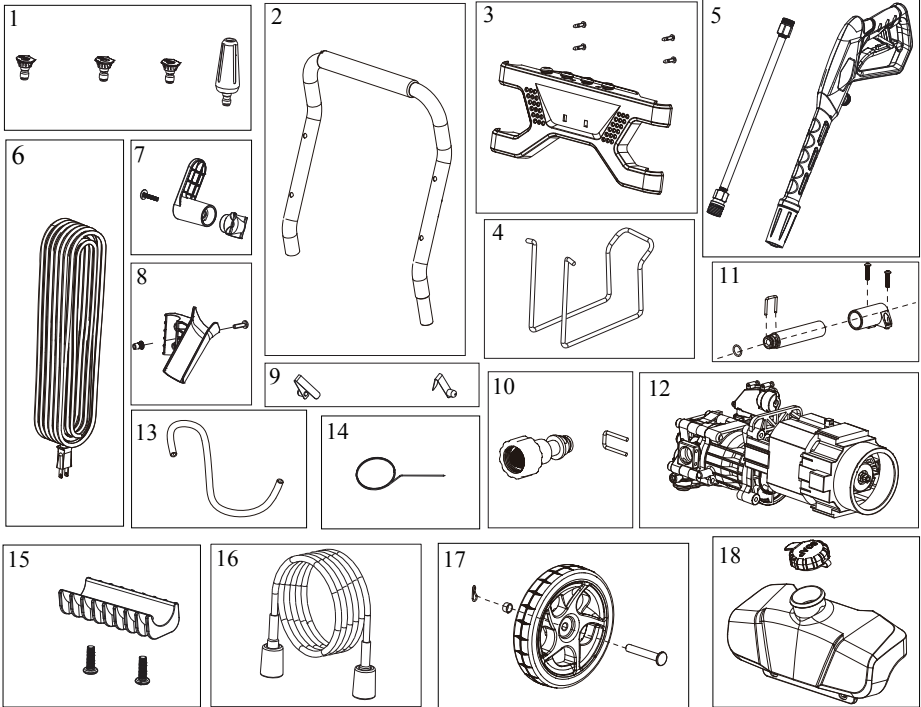
CARGOS DE TRANSPORTE:

Los cargos de transporte por el traslado de cualquier unidad de equipo eléctrico o accesorios son responsabilidad del comprador. El comprador es responsable de pagar los cargos de transporte de cualquier pieza presentada para reemplazo de acuerdo a esta garantía a menos que GREENWORKS solicite por escrito tal retorno.

Dirección en EE.UU.:

Greenworks Tools
P.O. Box 1238
Mooresville, NC 28115

DIAGRAMA DE COMPONENTES



LISTA DE PIEZAS

ELEMENTO N°	PIEZA N°	DESCRIPCIÓN	QTY
1	R0203830-00	Kit, Puntas de pulverización	1
2	R0204091-00	Kit, Asa superior	1
3	R0204092-00	Kit, Panel de almacenamiento de punta de pulverización	1
4	333011936	Gancho de la manguera	1
5	R0203820-00	Kit, Pistola pulverizadora	1
6	R0204093-00	Kit, Cable de alimentación (con GFCI)	1
7	R0203834-00	Kit, Brazo de almacenamiento de cable de alimentación	1
8	R0204095-00	Kit, Soporte de pistola pulverizadora	1
9	C1108239-00	Botón a resorte	1
10	R0204096-00	Kit, Conector de entrada de agua	1
11	R0204097-00	Kit, Conector de salida de agua	1
12	R0203841-00	Kit, Motor	1
13	34900365	Kit, Manguera de aspiración	1
14	33201671	Herramienta de limpieza de punta de pulverización	1
15	R0204098-00	Kit, Almohadilla de pie de marco	1
16	R0203839-00	Kit, Manguera de alta presión	1
17	R0204099-00	Kit, Rueda	2
18	R0204100-00	Kit, Depósito de detergente	1

greenworks

LÍNEA TELEFÓNICA GRATIS PARA AYUDA: 1-888-909-6757