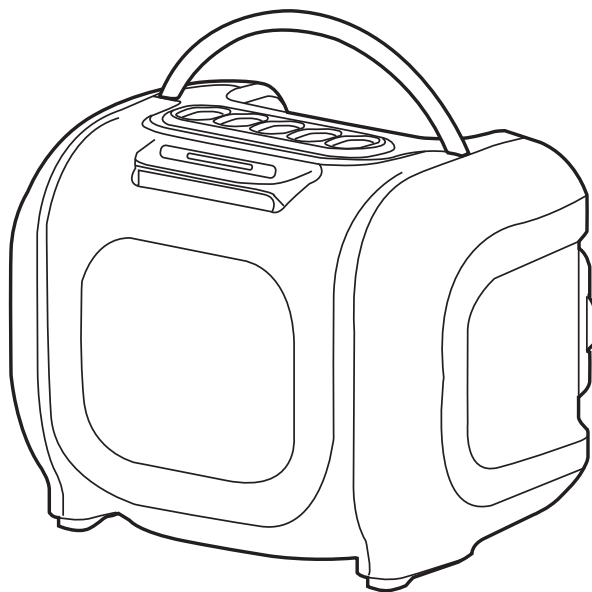


# greenworks®

EN	SPEAKER	OPERATOR MANUAL
FR	HAUT-PARLEUR	MANUEL D'UTILISATION
ES	ALTAVOZ	MANUAL DEL OPERADOR





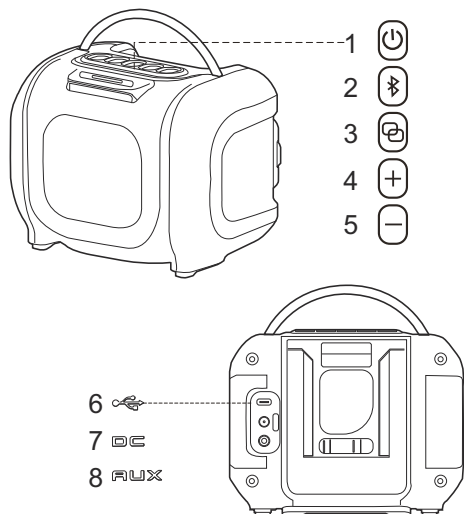
<b>1</b>	<b>Description.....</b>	<b>4</b>	7.1	Unpack the machine.....	6
1.1	Purpose.....	4	7.2	Install the battery pack.....	6
1.2	Overview.....	4	<b>8</b>	<b>Operation.....</b>	<b>7</b>
<b>2</b>	<b>General speaker safety</b>		8.1	Bluetooth Mode.....	7
	<b>warnings.....</b>	<b>4</b>	8.2	Broadcast Mode.....	7
2.1	FCC Requirement.....	4	8.3	AUX connection.....	8
<b>3</b>	<b>Symbols on the machine.....</b>	<b>5</b>	<b>9</b>	<b>Maintenance.....</b>	<b>8</b>
<b>4</b>	<b>Proposition 65.....</b>	<b>5</b>	9.1	General maintenance.....	8
<b>5</b>	<b>Environmentally safe battery</b>		<b>10</b>	<b>Troubleshooting.....</b>	<b>8</b>
	<b>disposal.....</b>	<b>5</b>	<b>11</b>	<b>Technical data.....</b>	<b>8</b>
<b>6</b>	<b>Risk levels.....</b>	<b>6</b>	<b>12</b>	<b>Limited warranty.....</b>	<b>9</b>
<b>7</b>	<b>Installation.....</b>	<b>6</b>			

## 1 DESCRIPTION

### 1.1 PURPOSE

This speaker is intended for playing audio. It connects mobile phone, tablet or other devices through bluetooth. Please read and follow the manuals before use.

### 1.2 OVERVIEW



- 1 On/off Button  
Press once to turn the speaker on/off.
- 2 Bluetooth Button
  - Press once to play/pause the audio.
  - Press and hold for 2 seconds to enter Bluetooth pairing mode.
  - Press and hold for 8 seconds to clear pairing info.
- 3 Function Button
  - Press to enter or exit broadcast mode.
  - Press two times to play next track.
  - Press three times to play previous track.
- 4 Volume +
  - Press to increase volume.
  - Press and hold for 3 seconds to maximize volume.
- 5 Volume -
  - Press to decrease volume.
  - Press and hold for 3 seconds to mute the speaker.
- 6 USB-C Output Port

Charge e.g. smartphone or tablet while playing audio.

- 7 Adapter Port  
Plug in the adapter cable to power the speaker.
- 8 AUX Port  
Connect an external audio device to the speaker via 3.5 mm audio cable.

## 2 GENERAL SPEAKER SAFETY WARNINGS

### 2.1 FCC REQUIREMENT

Any changes or modifications not expressly approved by the party responsible for compliance could void the user's authority to operate the equipment.

This device complies with Part 15 of the FCC Rules. Operation is subject to the following two conditions:

1. this device may not cause harmful interference, and
2. this device must accept any interference received, including interference that may cause undesired operation.






### **i** NOTE

This equipment has been tested and found to comply with the limits for a Class B digital device, pursuant to Part 15 of the FCC Rules. These limits are designed to provide reasonable protection against harmful interference in a residential installation. This equipment generates, uses, and can radiate radio frequency energy, and if not installed and used in accordance with the instructions, may cause harmful interference to radio communications. However, there is no guarantee that interference will not occur in a particular installation. If this equipment does cause harmful interference to radio or television reception, which can be determined by turning the equipment off and on, the user is encouraged to try to correct the interference by one or more of the following measures:

- Reorient or relocate the receiving antenna.
- Increase the separation between the equipment and receiver.
- Connect the equipment into an outlet on a circuit different from that to which the receiver is connected.
- Consult the dealer or an experienced radio/TV technician for help.

FCC ID: 2A3VG-GLB24V

## 3 SYMBOLS ON THE MACHINE

Symbol	Explanation
	<b>Safety Alert</b> Indicates a potential personal injury hazard.
	<b>Read Operator's Manual</b> To reduce the risk of injury, user must read and understand operator's manual before using this product.
	<b>Wet Conditions Alert</b> Do not expose to rain or use in damp locations.
	<b>Recycle Symbols</b> This product uses nickel-cadmium (Ni-Cd) and lithium-ion (Li-ion) batteries. Local, state or federal laws may prohibit disposal of batteries in ordinary trash. Consult your local waste authority for information regarding available recycling and/or disposal options.
V	<b>Volts</b> Voltage
A	<b>Ampere</b> Current
	<b>Direct Current</b> Type or a characteristic of current

## 4 PROPOSITION 65

## ▲ WARNING

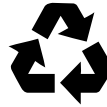
This product contains a chemical known to the state of California to cause cancer, birth defects or other reproductive harm. Some dust created by power sanding, sawing, grinding, drilling, and other construction activities contains chemicals known to cause cancer, birth defects or other reproductive harm. Some examples of these chemicals are:

- Lead from lead-based paints;
- Crystalline silica from bricks and cement and other masonry products;
- Arsenic and chromium from chemically treated lumber.

Your risk of exposure to these chemicals varies depending on how often you do this type of work. To reduce your exposure to these chemicals, work in a well-ventilated area, and work with approved safety equipment, such as dust masks that are specially designed to filter out microscopic particles.

Save these instructions.

## 5 ENVIRONMENTALLY SAFE BATTERY DISPOSAL



The toxic and corrosive materials below are in the batteries used in this machine: **Lithium-ion, a toxic material.**

## ▲ WARNING

Discard all toxic materials in a specified manner to prevent contamination of the environment. Before discarding damaged or worn out Lithium-ion battery, contact your local waste disposal agency, or the local Environmental Protection Agency for information and specific instructions. Take the batteries to a local recycling and/or disposal center, certified for Lithium-ion disposal.




**▲ WARNING**

If the battery pack cracks or breaks, with or without leaks, do not recharge it and do not use. Discard it and replace with a new battery pack. **DO NOT TRY TO REPAIR IT!** To prevent injury and risk of fire, explosion, or electric shock, and to avoid damage to the environment:

- Cover the terminals of the battery with heavy-duty adhesive tape.
- **DO NOT** try to remove or destroy any of the battery pack components.
- **DO NOT** try to open the battery pack.
- If a leak develops, the released electrolytes are corrosive and toxic. **DO NOT** get the solution in the eyes or on skin, and do not swallow it.
- **DO NOT** put these batteries in your regular household trash.
- **DO NOT** incinerate.
- **DO NOT** put them where they will become part of any waste landfill or municipal solid waste stream.
- Take them to a certified recycling or disposal center.

**6 RISK LEVELS**

The following signal words and meanings are intended to explain the levels of risk associated with this product.

SYM-BOL	SIGNAL	MEANING
	DANGER	Indicates an imminently hazardous situation, which, if not avoided, will result in death or serious injury.
	WARNING	Indicates a potentially hazardous situation, which, if not avoided, could result in death or serious injury.
	CAUTION	Indicates a potentially hazardous situation, which, if not avoided, may result in minor or moderate injury.
	CAUTION	(Without Safety Alert Symbol) Indicates a situation that may result in property damage.

**7 INSTALLATION****7.1 UNPACK THE MACHINE****▲ WARNING**

Make sure that you correctly assemble the machine before use.

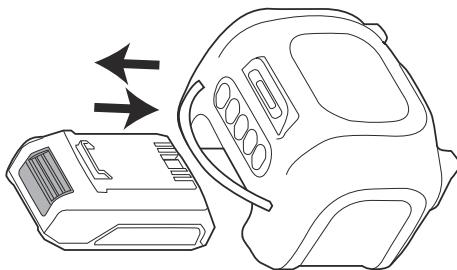
**▲ WARNING**

- If parts of the machine are damaged, do not use the machine.
- If parts are missing, do not operate the machine.
- If parts are damaged or missing, contact the service center.

1. Open the package.
2. Read the documentation provided in the box.
3. Remove all the unassembled parts from the box.
4. Remove the machine from the box.
5. Discard the box and packing material in compliance with local regulations.

**▲ WARNING**

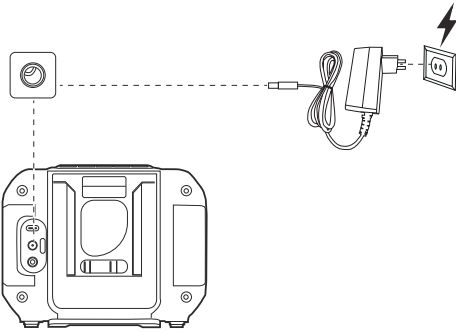
For your personal safety, do not insert battery before the tool is assembled completely.

**7.2 INSTALL THE BATTERY PACK****▲ WARNING**

- If the battery pack or charger is damaged, replace them directly.
- Read, understand, and follow the instructions in the battery and charger manual.

1. Align the lift ribs on the battery pack with the grooves in the battery compartment.
2. Push the battery pack into the battery compartment until the battery pack locks into place.
3. When you hear a click, the battery pack is installed.
4. To remove the battery, press the battery release button on the top of the battery pack and pull the battery pack out of speaker.

**TIP:** This speaker can also connect to the power outlet directly. Insert the included adapter to supply the power. This will automatically provide continuous current to your speaker.



**i NOTE**  
The adapter can not charge the battery pack. Please use Greenworks charger to charge the battery pack.

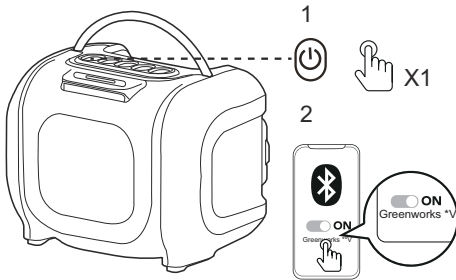
**▲ CAUTION**  
Avoid placing the speaker on wet or dirty surfaces.

## 8 OPERATION

**i IMPORTANT**  
Before you operate the machine, read and understand the safety regulations and the operation instructions.

### 8.1 BLUETOOTH MODE

With this speaker, you can enjoy music through your Bluetooth-enabled devices.



1. Install the battery pack or connect the power source.
2. Press the ON/OFF button to turn the machine on.
3. Turn on Bluetooth on your Bluetooth enabled device to choose Greenworks 24V in the list
4. The Bluetooth button will be steady white if the pairing succeeds.
5. Press Bluetooth button to play/pause the audio.

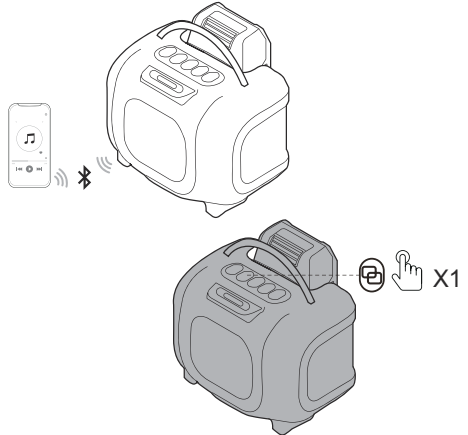
**i NOTE**

If your smart device cannot discover the speaker, please press and hold Bluetooth button for 3 seconds and try to pair again.

**i NOTE**

This speaker will power off automatically after 10 minutes if no device is connected.

### 8.2 BROADCAST MODE



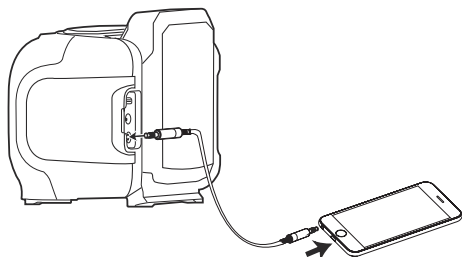
This speaker can wirelessly connect to other Greenworks Bluetooth speaker and play simultaneously.

1. Power on and connect the primary speaker to your Bluetooth enabled device.
2. Power on the second speaker and make sure it is within 1 meter of the primary speaker.
3. Press the function button on the second speaker.
4. The light on the second speaker will turn solid white when the connection to the primary speaker is successful.

**i NOTE**

If the second speaker has the Bluetooth connection record, long press the Bluetooth button for 3 seconds then press the function button to connect the primary speaker.

### 8.3 AUX CONNECTION



1. Turn on the speaker.
2. Connect an external audio device to the speaker via 3.5 mm audio cable.
3. Press Bluetooth button to play the audio.

## 9 MAINTENANCE

### ⚠ WARNING

When servicing, use only identical replacement parts. Use of any other parts could create a hazard or cause product damage.

### 9.1 GENERAL MAINTENANCE

Avoid using solvents when cleaning plastic parts. Most plastics are susceptible to damage from various types of commercial solvents and may be damaged by their use. Use clean cloths to remove dirt, dust, oil, grease, etc.

## 10 TROUBLESHOOTING

Problem	Possible cause	Solution
The speaker does not start.	The battery capacity is low.	Charge the battery pack.
	The on/off button is defective.	Contact the service center.
	The speaker is not connected to power source.	Connect the power source.

Problem	Possible cause	Solution
Intermittent or no audio	Make sure you are using a compatible Bluetooth mobile device.	Examine or change the Bluetooth device.
	The speaker is muted.	Increase the volume.
	Speaker doesn't connect to a Bluetooth device.	On your mobile device, turn the Bluetooth feature off and then on again. Remove the speaker from the Bluetooth menu. Connect again.
	The distance between speaker and device is too far.	Keep device and speaker closer.
Cannot connect or pair with a Bluetooth device	Bluetooth is not enabled on your device (smartphone, tablet, computer).	Activate Bluetooth on your device.
	The speaker is not in pairing mode.	Push and hold the Bluetooth search button for 3 seconds to make the speaker discoverable by the device.

\* If you cannot find the solution to these problems, go to the service center.

## 11 TECHNICAL DATA

Voltage	24 V
USB output	USB-C
Operation distance	33ft / 10 m
Weight without battery	1.8 lbs / 0.8 kg
Battery model	LB24A020/BAG708 and other BAG series
Charger model	2978602/2903102 and other CAG series

The recommended ambient temperature range:

Item	Temperature
Appliance storage temperature range	32°F (0°C) - 158°F (70°C)



Item	Temperature
Appliance operation temperature range	32°F (0°C) - 104°F (40°C)
Battery charging temperature range	39°F (4°C) - 104°F (40°C)
Charger operation temperature range	39°F (4°C) - 104°F (40°C)
Battery storage temperature range	32°F (0°C) - 73°F (23°C)
Battery discharging temperature range	32°F (0°C) - 113°F (45°C)

## 12 LIMITED WARRANTY



Greenworks hereby warrants this product, to the original purchaser with proof of purchase, for a period of three (3) years against defects in materials, parts or workmanship. Greenworks, at its own discretion, will repair or replace any and all parts found to be defective, through normal use, free of charge to the customer. This warranty is valid only for units which have been used for personal use that have not been purchased or rented for industrial/commercial use, and that have been maintained in accordance with the instructions in the owners' manual supplied with the product when new.

### ITEMS NOT COVERED BY WARRANTY:

1. Any part that has become inoperative due to misuse, commercial use, abuse, neglect, accident, improper maintenance, or alteration; or
2. The unit, if it has not been operated and/or maintained in accordance with the owner's manual; or
3. Normal wear;
4. Routine maintenance items such as lubricants, blade sharpening;
5. Normal deterioration of the exterior finish due to use or exposure.

### HELPLINE:

Warranty service is available by calling our toll-free helpline at 1-888-909-6757.

### TRANSPORTATION CHARGES:

Transportation charges for the movement of any power equipment unit or attachment are the responsibility of the purchaser. It is the purchaser's responsibility to pay transportation charges for any part submitted for replacement under this warranty unless such return is requested in writing by Greenworks.

#### USA address:

Greenworks Tools  
P.O. Box 1238, Mooresville, NC 28115

#### Canadian address:

Greenworks Tools Canada, Inc.  
P.O. Box 93095, Newmarket, Ontario, L3Y 8K3

#### Mexico address:

TECNOLOGIA CAMPO Y JARDIN S.A. DE C.V.  
ADMINISTRADORES No. 5336 A, COL. ARCOS DE GUADALUPE, ZAPOPAN , JALISCO , C.P. 45037

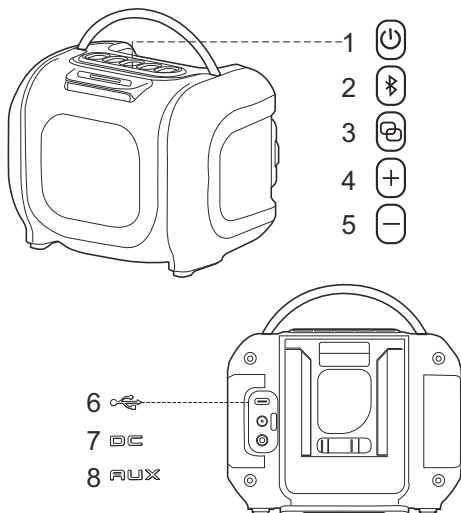
<b>1</b>	<b>Description.....</b>	<b>11</b>	<b>7</b>	<b>Installation.....</b>	<b>13</b>
1.1	But.....	11	7.1	Déballer la machine.....	13
1.2	Aperçu.....	11	7.2	Installer le bloc-batterie.....	14
<b>2</b>	<b>Avertissements généraux sur la sécurité des enceintes.....</b>	<b>11</b>	<b>8</b>	<b>Utilisation.....</b>	<b>14</b>
2.1	Exigences de la FCC.....	11	8.1	Mode Bluetooth.....	14
<b>3</b>	<b>Symboles figurant sur la machine.....</b>	<b>12</b>	8.2	Mode de diffusion.....	15
<b>4</b>	<b>Proposition 65.....</b>	<b>12</b>	8.3	Connexion AUX.....	15
<b>5</b>	<b>Élimination des batteries sans danger pour l'environnement.....</b>	<b>13</b>	<b>9</b>	<b>Entretien.....</b>	<b>15</b>
<b>6</b>	<b>Niveaux de risques.....</b>	<b>13</b>	9.1	Entretien général.....	15
			<b>10</b>	<b>Dépannage.....</b>	<b>15</b>
			<b>11</b>	<b>Données techniques.....</b>	<b>16</b>
			<b>12</b>	<b>Garantie limitée.....</b>	<b>16</b>

## 1 DESCRIPTION

### 1.1 BUT

Cette enceinte est destinée à la lecture de fichiers audio. Il permet de connecter un téléphone mobile, une tablette ou d'autres appareils par Bluetooth. Veuillez lire et suivre les manuels avant de les utiliser.

### 1.2 APERÇU



- Appuyez pour diminuer le volume.
- Appuyez et maintenez pendant 3 secondes pour couper le son du haut-parleur.

#### 6 Port de sortie USB-C

Chargez par exemple un smartphone ou une tablette pendant la lecture de l'audio.

#### 7 Port de l'adaptateur

Branchez le câble de l'adaptateur pour alimenter l'enceinte.

#### 8 Port AUX

Connectez un appareil audio externe à l'enceinte via un câble audio de 3,5 mm.

## 2 AVERTISSEMENTS GÉNÉRAUX SUR LA SÉCURITÉ DES ENCEINTES

### 2.1 EXIGENCES DE LA FCC

Tout changement ou toute modification non expressément approuvée par la partie responsable de la conformité pourrait annuler le droit de l'utilisateur d'utiliser l'équipement.

Cet appareil est conforme aux normes Partie 15 du FCC. Le fonctionnement dépend des deux conditions suivantes :

1. cet appareil ne devrait pas causer d'interférence, et
2. cet appareil doit accepter toute interférence reçue, y compris une interférence pouvant provoquer une opération non souhaitée.

#### 1 Bouton marche/arrêt

Appuyez une fois pour activer/désactiver l'enceinte.

#### 2 Bouton Bluetooth

- Appuyez une fois sur cette touche pour lire ou mettre en pause l'audio.
- Appuyez et maintenez pendant 2 secondes pour passer en mode de couplage Bluetooth.
- Appuyez et maintenez pendant 8 secondes pour effacer les informations d'appairage.

#### 3 Bouton de fonction

- Appuyez sur cette touche pour entrer ou sortir du mode de diffusion.
- Appuyez deux fois pour passer au morceau suivant.
- Appuyez deux fois pour revenir au morceau précédent.

#### 4 Volume +

- Appuyez pour augmenter le volume.
- Appuyez et maintenez pendant 3 secondes pour maximiser le volume.

#### 5 Volume -




## i REMARQUE



Cet appareil a été testé et jugé conforme aux limites des appareils digitaux de classe B, en vertu des normes de la Partie 15 du FCC. Ces limites sont conçues pour apporter une protection contre les brouillages préjudiciables dans un quartier résidentiel. Cet appareil génère, utilise, et peut émettre de l'énergie radioélectrique et, s'il n'est pas installé et utilisé conformément aux instructions, il peut provoquer des interférences nuisibles à la réception de la radio communication. Cependant, il n'y a aucune garantie que des interférences ne se produiront pas dans une installation particulière. Si cet équipement provoque des interférences nuisibles à la réception de la radio ou de la télévision, ce qui peut être déterminé en éteignant et en allumant l'équipement, l'utilisateur est encouragé à essayer de corriger ces interférences par une ou plusieurs des mesures suivantes :

- Réorientez ou déplacez l'antenne de réception.
- Augmentez la distance entre l'appareil et le récepteur.
- Branchez l'appareil dans une prise ou à un réseau différent de celui où le récepteur est branché.
- Consultez le vendeur ou un expert en installation radio/TV pour obtenir de l'aide.

ID FCC: 2A3VG-GLB24V

## 3 SYMBOLES FIGURANT SUR LA MACHINE

Symbole	Explication
	<b>Alerte de sécurité</b> Indique un risque potentiel de blessure corporelle.
	<b>Lisez le manuel d'opérateur</b> Pour réduire les risques de blessures, l'utilisateur doit lire et comprendre le manuel d'opérateur avant d'utiliser ce produit.
	<b>Mise en garde contre les conditions humides</b> Ne pas exposer à la pluie ou utiliser dans des endroits humides.

Symbole	Explication
	<b>Symboles de recyclage</b> Ce produit utilise des batteries au nickel-cadmium (Ni-Cd) et au lithium-ion (Li-ion). Les lois locales, nationales ou fédérales, peuvent interdire l'élimination des batteries dans les poubelles ordinaires. Consultez les autorités locales responsables des déchets pour obtenir des informations sur les possibilités de recyclage et/ou d'élimination.
V	<b>Volt</b> Voltage
A	<b>Ampères</b> Courant
	<b>Courant continu</b> Type ou caractéristique du courant

## 4 PROPOSITION 65

### ▲ AVERTISSEMENT

Ce produit contient un produit chimique connu dans l'état de Californie comme étant une cause de cancer, de malformations congénitales ou d'autres problèmes de reproduction. Certaines poussières produites par le ponçage mécanique, le sciage, le meulage, le perçage et d'autres activités de construction contiennent des produits chimiques connus pour causer le cancer, des malformations congénitales ou d'autres problèmes de reproduction. Voici quelques exemples de ces produits chimiques :

- Plomb provenant de peintures à base de plomb;
- Silice cristalline provenant de briques, de ciment et d'autres produits de maçonnerie;
- Arsenic et chrome provenant de bois traité chimiquement.

Votre risque d'exposition à ces produits chimiques varie selon la fréquence à laquelle vous faites ce type de travail. Pour réduire votre exposition à ces produits chimiques, travaillez dans un endroit bien ventilé et utilisez un équipement de sécurité approuvé, comme des masques anti-poussière spécialement conçus pour filtrer les particules microscopiques.

**Conservez ces instructions.**

## 5 ÉLIMINATION DES BATTERIES SANS DANGER POUR L'ENVIRONNEMENT



Les matières toxiques et corrosives ci-dessous se trouvent dans les batteries utilisées dans cette machine : **Lithium-ion, une substance toxique.**

### ▲ AVERTISSEMENT

Éliminez toutes les substances toxiques d'une manière spécifiée afin de prévenir la contamination de l'environnement. Avant de jeter une batterie au Lithium-ion endommagée ou usée, contactez votre agence locale d'élimination des déchets ou l'agence locale de protection de l'environnement pour obtenir des informations et des instructions spécifiques. Apportez les batteries à un centre local de recyclage ou d'élimination certifié pour l'élimination de batteries au Lithium-ion.

### ▲ AVERTISSEMENT

Si la batterie se fend ou se brise, avec ou sans fuites, ne la rechargez pas et ne l'utilisez pas. Jetez-la et remplacez-la par une nouvelle batterie. **N'ESSAYEZ PAS DE LA RÉPARER !** Pour prévenir les blessures et les risques d'incendie, d'explosion ou de décharge électrique, et pour éviter tout dommage à l'environnement :

- Couvrez les bornes de la batterie avec du ruban adhésif résistant.
- NE PAS essayer d'enlever ou de détruire les composants de la batterie.
- NE PAS essayer d'ouvrir ou de réparer la batterie.
- En cas de fuite, les électrolytes rejetés sont corrosifs et toxiques. NE PAS laisser entrer la solution dans les yeux ou en contact avec la peau et ne l'avalez pas.
- NE PAS jeter vos batteries usagées dans votre poubelle à ordures ménagères.
- NE PAS incinérer les batteries.
- NE PAS les mettre dans un endroit où ils feront partie d'un site d'enfouissement de déchets ou d'un flux de déchets solides municipaux.
- Emmenez-les dans un centre de recyclage ou d'élimination certifié.

## 6 NIVEAUX DE RISQUES

Les termes de mise en garde suivants et leur signification ont pour but d'expliquer les niveaux de risques associés à l'utilisation de ce produit.

SYMBOLE	SIGNAL	SIGNIFICATION
	DANGER	Indique une situation dangereuse imminente qui, si elle n'est pas évitée, peut entraîner la mort ou des blessures graves.
	AVERTISSEMENT	Indique une situation potentiellement dangereuse qui, si elle n'est pas évitée, peut entraîner la mort ou des blessures graves.
	MISE EN GARDE	Indique une situation potentiellement dangereuse qui, si elle n'est pas évitée, pourrait causer des blessures mineures ou modérées.
	MISE EN GARDE	(Sans symbole d'alerte de sécurité) indique une situation pouvant entraîner des dommages matériels.

## 7 INSTALLATION

### 7.1 DÉBALLER LA MACHINE

#### ▲ AVERTISSEMENT

Assurez-vous d'assembler correctement la machine avant de l'utiliser.

#### ▲ AVERTISSEMENT

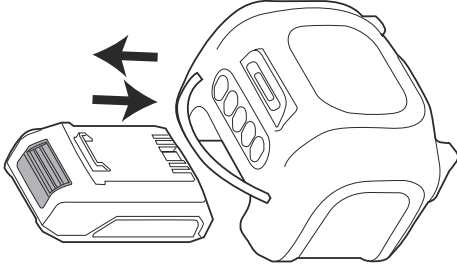
- Si les pièces de la machine sont endommagées, ne l'utilisez pas.
- Si des pièces sont manquantes, ne pas faire fonctionner la machine.
- Si des pièces sont endommagées ou manquantes, communiquez avec le centre de service.

1. Ouvrez l'emballage.
2. Lisez la documentation contenue dans la boîte.
3. Retirez toutes les pièces non assemblées de la boîte.
4. Retirez la machine de sa boîte.
5. Jetez la boîte et l'emballage conformément aux règlements locaux.

## ▲ AVERTISSEMENT

Pour votre sécurité personnelle, n'insérez pas la batterie avant que l'outil ne soit complètement assemblé.

## 7.2 INSTALLER LE BLOC-BATTERIE

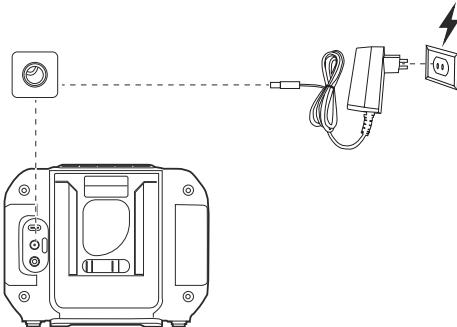


## ▲ AVERTISSEMENT

- Si la batterie ou le chargeur sont endommagés, remplacez-les directement.
- Lisez, comprenez et suivez les instructions du manuel du bloc-batterie et du chargeur.

1. Alignez les languettes du bloc-batterie avec les rainures du compartiment de batterie.
2. Poussez le bloc-batterie dans le compartiment de batterie jusqu'à ce qu'il soit bien encliqueté.
3. Vous devriez entendre un clic lorsque le bloc-batterie sera inséré correctement.
4. Pour retirer la batterie, appuyez sur le bouton de déverrouillage de la batterie situé sur le dessus du bloc de batterie et tirez le bloc de batterie hors de l'enceinte.

**TRUC :** Ce haut-parleur peut également se connecter directement à la prise de courant. Insérez l'adaptateur fourni pour fournir l'alimentation. Cela fournira automatiquement un courant continu à votre enceinte.



## i REMARQUE

L'adaptateur ne peut pas charger le bloc-batterie. Veuillez utiliser le chargeur Greenworks pour charger la batterie.

## ▲ ATTENTION

Évitez de placer l'enceinte sur des surfaces humides ou sales.

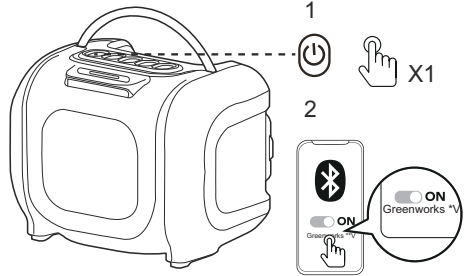
## 8 UTILISATION

### i IMPORTANT

Avant d'utiliser la machine, lisez et comprenez les signes de sécurité et les instructions d'utilisation.

### 8.1 MODE BLUETOOTH

Avec ce haut-parleur, vous pouvez profiter de la musique grâce à vos appareils compatibles Bluetooth.



1. Installez la batterie ou connectez la source d'alimentation.
2. Appuyez sur le bouton MARCHÉ/ARRÊT pour allumer la machine.
3. Activez le Bluetooth sur votre appareil compatible Bluetooth pour choisir Greenworks 24V dans la liste.
4. Le bouton de Bluetooth est blanc fixe si le jumelage a réussi.
5. Appuyez sur le bouton de Bluetooth pour lire/pause l'audio.

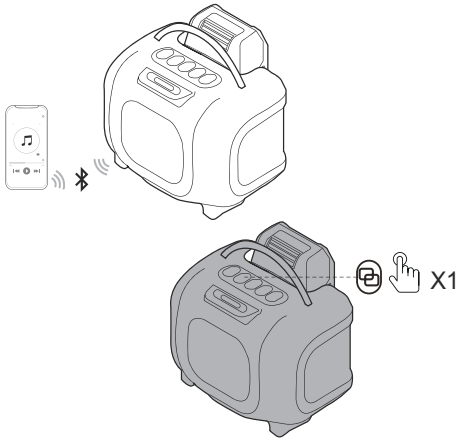
### i REMARQUE

Si votre appareil intelligent ne peut pas découvrir l'enceinte, veuillez appuyer sur le bouton Bluetooth pendant 3 secondes et le maintenir enfoncé, puis réessayer de l'appairer.

### i REMARQUE

Cette enceinte s'éteint automatiquement après 10 minutes si aucun appareil n'est connecté.

## 8.2 MODE DE DIFFUSION



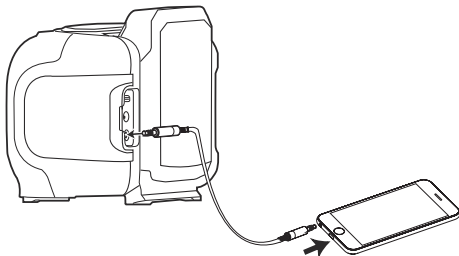
Ce haut-parleur peut se connecter sans fil à une autre enceinte Bluetooth Greenworks pour qu'ils jouent simultanément.

1. Allumez et connectez l'enceinte primaire à votre appareil compatible Bluetooth.
2. Allumez le deuxième haut-parleur et assurez-vous qu'il se trouve à moins d'un mètre du haut-parleur primaire.
3. Appuyez sur le bouton de fonction de la deuxième enceinte.
4. La lumière de la deuxième enceinte reste allumée en continu blanc lorsque la connexion au haut-parleur primaire a réussi.

### **i** REMARQUE

Si la deuxième enceinte a l'enregistrement de connexion Bluetooth, appuyez longuement sur le bouton Bluetooth pendant 3 secondes puis appuyez sur le bouton de fonction pour connecter l'enceinte principale.

## 8.3 CONNEXION AUX



1. Allumez le haut-parleur.

2. Connectez un appareil audio externe à l'enceinte via un câble audio de 3,5 mm.
3. Appuyez sur le bouton de Bluetooth pour lire l'audio.

## 9 ENTRETIEN

### ▲ AVERTISSEMENT

N'utilisez que des pièces de rechange identiques lors de l'entretien. L'utilisation de toute autre pièce peut créer un danger ou endommager le produit.

### 9.1 ENTRETIEN GÉNÉRAL

Évitez d'utiliser des solvants pour nettoyer les pièces en plastique. La plupart des plastiques sont susceptibles d'être endommagés par divers types de solvants commerciaux et peuvent l'être par leur utilisation. Utilisez des chiffons propres pour enlever la saleté, la poussière, l'huile, la graisse, etc.

## 10 DÉPANNAGE

Problème	Cause possible	Solution
L'haut-parleur ne démarre pas.	La capacité de la batterie est faible.	Rechargez le bloc-batterie.
	Le bouton marche/arrêt est défectueux.	Communiquez avec le centre de service.
	Le haut-parleur n'est pas connecté à la source d'alimentation.	Connectez la source d'alimentation.
Audio intermittent ou inexistant	Assurez-vous que vous utilisez un appareil mobile Bluetooth compatible.	Examinez ou changez le dispositif Bluetooth.
	Le haut-parleur est coupé.	Augmentez le volume.
	L'enceinte ne se connecte pas à un appareil Bluetooth.	Sur votre appareil mobile, désactivez puis réactivez la fonction Bluetooth. Retirez l'enceinte du menu Bluetooth. Connectez-vous à nouveau.
	La distance entre le haut-parleur et l'appareil est trop grande.	Rapprochez l'appareil et le haut-parleur.

Problème	Cause possible	Solution
Impossible de se connecter ou de s'associer à un périphérique Bluetooth	Le Bluetooth n'est pas activé sur votre appareil (smartphone, tablette, ordinateur).	Activez la fonction Bluetooth sur votre appareil.
	Le haut-parleur n'est pas en mode d'appairage.	Appuyez sur le bouton de recherche Bluetooth et maintenez-le enfoncé pendant 3 secondes pour que le haut-parleur puisse être découvert par l'appareil.

\* Si vous ne trouvez pas une solution à ces problèmes, communiquez avec le centre de service.

## 11 DONNÉES TECHNIQUES

Voltage	24 V
Sortie USB	USB-C
Distance de fonctionnement	33ft / 10 m
Poids sans batterie	1.8 lbs / 0.8 kg
Batterie modèle	LB24A020/BAG708 et autres BAG séries
Chargeur modèle	2978602/2903102 et autres CAG séries

### La plage de température ambiante recommandée :

Article	Température
Plage de température d'entreposage de l'appareil	32°F (0°C) - 158°F (70°C)
Plage de température de fonctionnement de l'appareil	32°F (0°C) - 104°F (40°C)
Plage de température de recharge de la batterie	39°F (4°C) - 104°F (40°C)
Plage de température de fonctionnement du chargeur	39°F (4°C) - 104°F (40°C)
Plage de température d'entreposage de la batterie	32°F (0°C) - 73°F (23°C)

Article	Température
Plage de température de déchargement de la batterie	32°F (0°C) - 113°F (45°C)

## 12 GARANTIE LIMITÉE



Greenworks garantit par la présente ce produit, à l'acheteur original avec preuve d'achat, pour une période de trois (3) ans contre tout défaut de matériaux, de pièces ou de main-d'œuvre. Greenworks, à sa propre discrétion, réparera ou remplacera toutes les pièces défectueuses, dans des conditions normales d'utilisation, sans frais pour le client. Cette garantie n'est valable que pour les appareils qui ont été utilisés à des fins personnelles, qui n'ont pas été loués à des fins industrielles ou commerciales et qui ont été entretenus conformément aux instructions du manuel du propriétaire fourni avec le produit neuf.

### ARTICLES NON COUVERTS PAR LA GARANTIE :

1. Toute pièce qui est devenue inopérante en raison d'une mauvaise utilisation, d'une utilisation commerciale, d'un abus, d'une négligence, d'un accident, d'un entretien inapproprié ou d'une modification; ou
2. L'appareil, s'il n'a pas été utilisé et/ou entretenu conformément au manuel du propriétaire; ou
3. Usure normale;
4. Articles d'entretien courant tels que lubrifiants, affûtage des lames;
5. Détérioration normale du fini extérieur due à l'utilisation ou à l'exposition.

### ASSISTANCE TÉLÉPHONIQUE :

Le service de garantie est accessible en appelant notre ligne d'assistance téléphonique sans frais, au 1-888-909-6757.

### FRAIS DE TRANSPORT :

Les frais de transport pour le déplacement de tout équipement motorisé ou accessoire sont à la charge de l'acheteur. Il incombe à l'acheteur de payer les frais de transport pour toute pièce retournée pour remplacement en vertu de la présente garantie, à moins qu'un tel retour soit demandé par écrit par Greenworks.



**Adresse aux États-Unis :**

Greenworks Tools

P.O. Box 1238, Mooresville, NC 28115

**Adresse au Canada :**

Greenworks Tools Canada, Inc.

P.O. Box 93095, Newmarket, Ontario, L3Y 8K3

**Adresse au Mexique :**

TECNOLOGIA CAMPO Y JARDIN S.A. DE C.V.

ADMINISTRADORES No. 5336 A, COL. ARCOS DE  
GUADALUPE, ZAPOPAN , JALISCO , C.P. 45037

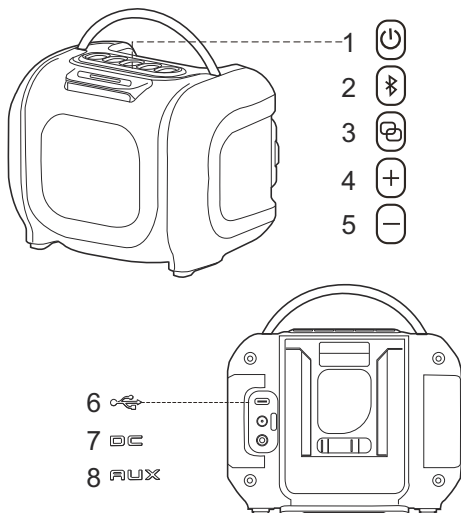
<b>1</b>	<b>Descripción.....</b>	<b>19</b>	<b>7</b>	<b>Instalación.....</b>	<b>21</b>
1.1	Finalidad.....	19	7.1	Desembalaje de la máquina.....	21
1.2	Perspectiva general.....	19	7.2	Instalación de la batería.....	22
<b>2</b>	<b>Advertencias de seguridad generales para altavoces.....</b>	<b>19</b>	<b>8</b>	<b>Funcionamiento.....</b>	<b>22</b>
2.1	Requisitos FCC.....	19	8.1	Modo Bluetooth.....	22
<b>3</b>	<b>Símbolos en la máquina.....</b>	<b>20</b>	8.2	Modo de transmisión.....	23
<b>4</b>	<b>Propuesta 65.....</b>	<b>20</b>	8.3	Conexión AUX.....	23
<b>5</b>	<b>Eliminación de batería segura para el medio ambiente.....</b>	<b>21</b>	<b>9</b>	<b>Mantenimiento.....</b>	<b>23</b>
<b>6</b>	<b>Niveles de riesgo.....</b>	<b>21</b>	9.1	Mantenimiento general.....	23
			<b>10</b>	<b>Solución de problemas.....</b>	<b>23</b>
			<b>11</b>	<b>Datos técnicos.....</b>	<b>24</b>
			<b>12</b>	<b>Garantía limitada.....</b>	<b>24</b>

## 1 DESCRIPCIÓN

### 1.1 FINALIDAD

Este altavoz se ha diseñado para la reproducción de audio. Se conecta al teléfono móvil, la tableta u otros dispositivos a través de Bluetooth. Debe leer y seguir los manuales antes del uso.

### 1.2 PERSPECTIVA GENERAL



- 1 Botón de encendido/apagado  
Pulse una vez para encender/apagar el altavoz.
- 2 Botón de Bluetooth
  - Pulse una vez para reproducir/pausar el audio.
  - Pulse y mantenga pulsado durante 2 segundos para acceder al modo de emparejamiento Bluetooth.
  - Pulse y mantenga pulsado durante 8 segundos para borrar la información de emparejamiento.
- 3 Botón de función
  - Pulse para activar o desactivar el modo de transmisión.
  - Pulse dos veces para reproducir la pista siguiente.
  - Pulse tres veces para reproducir la pista anterior.
- 4 Volumen +
  - Pulse para aumentar el volumen.
  - Pulse y mantenga pulsado durante 3 segundos para maximizar el volumen.
- 5 Volumen -

- Pulse para disminuir el volumen.
- Pulse y mantenga pulsado durante 3 segundos para silenciar el altavoz.

- 6 Puerto de salida USB C  
Carga, por ejemplo, un smartphone o una tableta mientras se reproduce el audio.
- 7 Puerto adaptador  
Enchufe el cable del adaptador para alimentar el altavoz.
- 8 Puerto AUX  
Conecte un dispositivo de audio externo al altavoz mediante un cable de audio de 3,5 mm.

## 2 ADVERTENCIAS DE SEGURIDAD GENERALES PARA ALTAVOCES

### 2.1 REQUISITOS FCC

Los cambios o modificaciones no aprobados expresamente por la parte responsable de la conformidad podrían invalidar la autoridad del usuario para utilizar el equipo.

Este dispositivo cumple la Parte 15 de las Normas de la FCC. El funcionamiento está sujeto a las siguientes dos condiciones:

1. este dispositivo no puede producir interferencias perjudiciales y
2. este dispositivo debe aceptar cualquier interferencia recibida, incluidas las interferencias que puedan producir un funcionamiento no deseado.




## i NOTA



Este equipo ha sido probado y cumple con los límites para un dispositivo digital de Clase B, de conformidad con la Parte 15 de las Normas de la FCC. Estos límites se han diseñado para proporcionar una protección razonable contra interferencias perjudiciales en una instalación residencial. Este equipo genera, utiliza y puede radiar energía de radiofrecuencia y, si no se instala y utiliza de acuerdo con las instrucciones, puede producir interferencias perjudiciales en la recepción de radio. No obstante, no se puede garantizar que no se produzcan interferencias en una instalación concreta. Si este equipo produce interferencias perjudiciales en la recepción de radio o televisión, lo cual puede determinarse encendiendo y apagando el equipo, se recomienda al usuario que intente corregir la interferencia mediante una o más de las siguientes medidas:

- Reoriente o reubique la antena receptora.
- Aumente la separación entre el equipo y receptor.
- Conecte el equipo a una toma de corriente en un circuito diferente al que está conectado el receptor.
- Consulte con el distribuidor o con un técnico de radio/TV experimentado para obtener ayuda.

ID FCC: 2A3VG-GLB24V

## 3 SÍMBOLOS EN LA MÁQUINA

Símbolo	Explicación
	<b>Alerta de seguridad</b> Indica un riesgo potencial de lesiones personales.
	<b>Lea el manual del operario</b> Para reducir el riesgo de lesiones, el usuario debe leer y entender el manual del operario antes de utilizar este producto.
	<b>Alerta de condiciones de humedad</b> No exponga a la lluvia ni a lugares húmedos.

Símbolo	Explicación
	<b>Símbolos de reciclaje</b> Este producto utiliza baterías de níquel-cadmio (Ni-Cd) y de iones de litio (Li-ion). Las leyes locales, estatales o federales pueden prohibir la eliminación de las baterías en la basura ordinaria. Consulte a las autoridades locales en materia de residuos para obtener información sobre las opciones de reciclaje o eliminación disponibles.
V	<b>Voltios</b> Tensión
A	<b>Amperios</b> Corriente
	<b>Corriente continua</b> Tipo o una característica de corriente

## 4 PROPUESTA 65

### ▲ AVISO

Este producto contiene una sustancia química conocida en el estado de California como causante de cáncer, defectos de nacimiento u otros daños reproductivos. El polvo generado por el lijado eléctrico, el serrado, el esmerilado, la perforación y otras actividades de construcción contiene sustancias químicas que se sabe que son causantes de cáncer, defectos de nacimiento u otros daños reproductivos. Algunos ejemplos de estas sustancias químicas son:

- Plomo de pinturas con base de plomo;
- Sílice cristalina de ladrillos y cemento y otros productos de albañilería;
- Arsénico y cromo de la madera tratada químicamente.

El riesgo de exposición a estas sustancias químicas varía según la frecuencia con la que realice este tipo de trabajo. Para reducir su exposición a estas sustancias químicas, trabaje en una zona bien ventilada y trabaje con equipos de seguridad aprobados, como máscaras antipolvo, que estén especialmente diseñadas para filtrar partículas microscópicas.

**Conserve estas instrucciones.**

## 5 ELIMINACIÓN DE BATERÍA SEGURA PARA EL MEDIO AMBIENTE



Los materiales tóxicos y corrosivos que figuran a continuación se encuentran en las baterías utilizadas en esta máquina: **Ion de litio, un material tóxico.**

### ▲ AVISO

Deseche todos los materiales tóxicos de una manera especificada para evitar la contaminación del medio ambiente. Antes de desechar una batería de iones de litio dañada o agotada, contacte con la agencia local de eliminación de residuos o con la agencia de protección medioambiental local para obtener información e instrucciones específicas. Lleve las baterías a un centro de reciclaje o eliminación local certificado para la eliminación de los iones de litio.

### ▲ AVISO

Si la batería se agrieta o se rompe, con o sin fugas, no la recargue ni la utilice. Deséchela y sustitúyala por una batería nueva. ¡NO INTENTE REPARARLA! Para evitar lesiones y riesgos de incendio, explosión o descarga eléctrica, y para evitar daños al medio ambiente:

- Cubra los terminales de la batería con cinta adhesiva resistente.
- NO intente retirar o destruir ninguno de los componentes de la batería.
- NO intente abrir la batería.
- Si se produce una fuga, los electrolitos liberados son corrosivos y tóxicos. NO deje que la solución entre en contacto con los ojos o la piel, y no la ingiera.
- NO deseche estas baterías con la basura doméstica normal.
- NO incinere.
- NO lleve las baterías a lugares donde formarán parte de vertederos de residuos o flujos de residuos sólidos urbanos.
- Llévelas a un centro de reciclaje o eliminación certificado.

## 6 NIVELES DE RIESGO

Las siguientes indicaciones y los significados explican los niveles de riesgo asociados a este producto.

SÍMBOLO	INDICACIÓN	SIGNIFICADO
	PELIGRO	Indica una situación de peligro inminente que, de no evitarse, provocará lesiones graves o incluso la muerte.
	ADVERTENCIA	Indica una situación de peligro potencial que, de no evitarse, podría provocar lesiones graves o incluso la muerte.
	PRECAUCIÓN	Indica una situación de peligro potencial que, de no evitarse, puede provocar lesiones leves o moderadas.
	PRECAUCIÓN	(Sin símbolo de alerta sobre seguridad) Indica una situación que puede provocar daños materiales.

## 7 INSTALACIÓN

### 7.1 DESEMBALAJE DE LA MÁQUINA

#### ▲ AVISO

Asegúrese de montar correctamente la máquina antes del uso.

#### ▲ AVISO

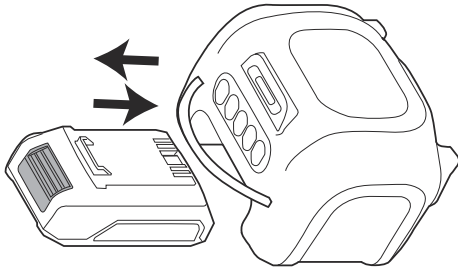
- Si las piezas de la máquina presentan daños, no utilice la máquina.
- Si faltan piezas, no haga funcionar la máquina.
- Si faltan piezas o hay piezas dañadas, contacte el centro de servicio.

1. Abra el embalaje.
2. Lea la documentación que se encuentra en la caja.
3. Retire todas las piezas sin montar de la caja.
4. Retire la máquina de la caja.
5. Deseche la caja y el material de embalaje de conformidad con los reglamentos locales.

#### ▲ AVISO

Por su seguridad personal, no inserte la batería antes de haber montado la herramienta por completo.

## 7.2 INSTALACIÓN DE LA BATERÍA

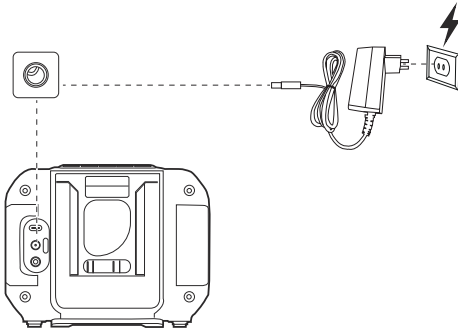


### ▲ AVISO

- Si la batería o el cargador han sufrido daños, sustitúyalos directamente.
- Debe leer, entender y seguir las instrucciones del manual de la batería y el cargador.

1. Alinee las nervaduras de elevación de la batería con las ranuras del compartimento de la batería.
2. Introduzca la batería en el compartimento de la batería hasta que encaje en su posición.
3. Cuando escuche un clic, la batería está instalada.
4. Para retirar la batería, pulse el botón de desbloqueo de la batería situado en la parte superior de la batería y extraiga la batería del altavoz.

**SUGERENCIA:** Este altavoz también puede conectarse directamente a la toma eléctrica. Inserte el adaptador incluido para suministrar la alimentación. Esto proporcionará automáticamente corriente continua al altavoz.



### i NOTA

El adaptador no puede cargar la batería. Utilice el cargador Greenworks para cargar la batería.

### ▲ PRECAUCIÓN

Evite colocar el altavoz sobre superficies húmedas o sucias.

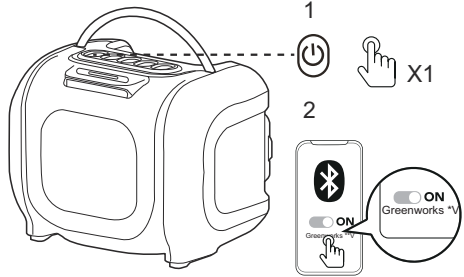
## 8 FUNCIONAMIENTO

### i IMPORTANTE

Antes de utilizar la máquina, debe leer y entender las normas de seguridad y las instrucciones de funcionamiento.

### 8.1 MODO BLUETOOTH

Con el altavoz, puede disfrutar de música a través de sus dispositivos con Bluetooth.



1. Instale la batería o conecte la fuente de alimentación.
2. Pulse el botón de encendido/apagado para encender la máquina.
3. Active el Bluetooth en su dispositivo con Bluetooth para elegir Greenworks 24 V en la lista.
4. El botón de Bluetooth se iluminará en blanco si el emparejamiento se realiza con éxito.
5. Pulse el botón de Bluetooth para reproducir/pausar el audio.

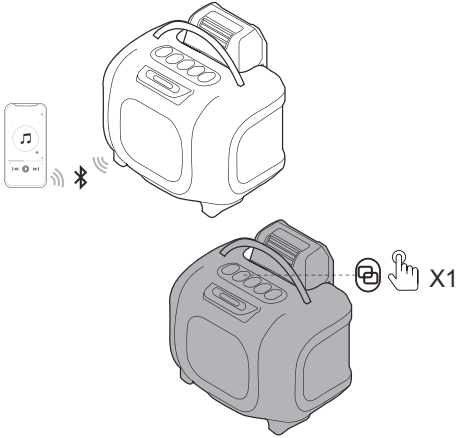
### i NOTA

Si su dispositivo inteligente no puede encontrar el altavoz, pulse y mantenga pulsado el botón de Bluetooth durante 3 segundos e intente emparejarlo de nuevo.

### i NOTA

Este altavoz se apagará automáticamente si, después de 10 minutos, no se conecta ningún dispositivo.

## 8.2 MODO DE TRANSMISIÓN



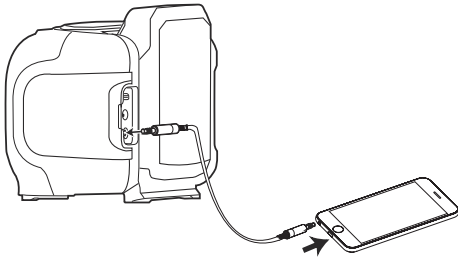
Este altavoz puede conectarse de forma inalámbrica a otro Greenworks altavoz Bluetooth y reproducir simultáneamente.

1. Encienda y conecte el altavoz principal a su dispositivo con Bluetooth.
2. Encienda el segundo altavoz y asegúrese de que esté a menos de 1 metro del altavoz principal.
3. Pulse el botón de función del segundo altavoz.
4. La luz del segundo altavoz se iluminará en blanco cuando la conexión con el altavoz principal se realice correctamente.

### ¡ NOTA

Si el segundo altavoz tiene el registro de conexiones Bluetooth, mantenga pulsado el botón de Bluetooth durante 3 segundos y, a continuación, pulse el botón de función para conectar el altavoz principal.

## 8.3 CONEXIÓN AUX



1. Encienda el altavoz.
2. Conecte un dispositivo de audio externo al altavoz mediante un cable de audio de 3,5 mm.

3. Pulse el botón de Bluetooth para reproducir el audio.

## 9 MANTENIMIENTO

### ▲ AVISO

Cuando realice tareas de servicio, utilice únicamente piezas de repuesto idénticas. El uso de cualquier otra pieza puede generar un riesgo o producir daños en el producto.

## 9.1 MANTENIMIENTO GENERAL

Evite utilizar disolventes al limpiar piezas de plástico. La mayoría de los plásticos son susceptibles a sufrir daños por distintos tipos de solventes comerciales y pueden resultar dañados por su uso. Utilice paños limpios para eliminar la suciedad, el polvo, el aceite, la grasa, etc.

## 10 SOLUCIÓN DE PROBLEMAS

Problema	Posible causa	Solución
El altavoz no se pone en marcha.	La capacidad de la batería está baja.	Cargue la batería.
	El botón de encendido/apagado está defectuoso.	Contacte con el centro de servicio.
	El altavoz no se ha conectado a la fuente de alimentación.	Conecte la fuente de alimentación.
No hay audio o audio intermitente	Asegúrese de que está utilizando un dispositivo móvil compatible con Bluetooth.	Examine o cambie el dispositivo Bluetooth.
	El altavoz se ha silenciado.	Aumente el volumen.
	El altavoz no se conecta a un dispositivo Bluetooth.	En su dispositivo móvil, desactive la función Bluetooth y vuelva a activarla. Elimine el altavoz del menú Bluetooth. Vuelva a conectar.
	La distancia entre el altavoz y el dispositivo es demasiado grande.	Mantenga más cerca el dispositivo y el altavoz.

Problema	Posible causa	Solución
No se puede conectar o emparejar con un dispositivo Bluetooth	El Bluetooth no está activado en su dispositivo (smartphone, tableta, ordenador).	Active el Bluetooth en su dispositivo.
	El altavoz no está en modo de emparejamiento.	Pulse y mantenga pulsado el botón de búsqueda Bluetooth durante 3 segundos para que el dispositivo detecte el altavoz.

\* Si no puede encontrar la solución a estos problemas, vaya al centro de servicio.

## 11 DATOS TÉCNICOS

Tensión	24 V
Salida USB	USB-C
Distancia de funcionamiento	33ft / 10 m
Peso sin batería	1.8 lbs / 0.8 kg
Modelo de batería	LB24A020/BAG708 y otras series BAG
Modelo de cargador	2978602/2903102 y otras series CAG

### El intervalo de temperatura ambiente recomendado:

Elemento	Temperatura
Intervalo de temperatura de almacenamiento del aparato	32°F (0°C) - 158°F (70°C)
Intervalo de temperatura de funcionamiento del aparato	32°F (0°C) - 104°F (40°C)
Intervalo de temperatura de carga de la batería	39°F (4°C) - 104°F (40°C)
Intervalo de temperatura de funcionamiento del cargador	39°F (4°C) - 104°F (40°C)
Intervalo de temperatura de almacenamiento de la batería	32°F (0°C) - 73°F (23°C)
Intervalo de temperatura de descarga de la batería	32°F (0°C) - 113°F (45°C)

## 12 GARANTÍA LIMITADA



Por la presente Greenworks garantiza este producto, al comprador original con el comprobante de compra, durante un periodo de tres (3) años frente a defectos en materiales, piezas o mano de obra. A su entera discreción Greenworks reparará o sustituirá cualquiera y todas las piezas que resulten ser defectuosas, con un uso normal, sin coste alguno para el cliente. Esta garantía es válida únicamente para unidades que se hayan utilizado para uso personal que no han sido compradas o alquiladas para uso industrial/comercial y cuyo mantenimiento se ha realizado de acuerdo con las instrucciones del manual del propietario suministrado con el producto nuevo.

### ARTÍCULOS NO CUBIERTOS POR LA GARANTÍA:

1. Cualquier pieza que no funcione debido a mal uso, uso comercial, abuso, negligencia, accidente, mantenimiento inadecuado o alteración; o
2. La unidad, si no ha sido utilizada o mantenida de acuerdo con el manual del propietario; o
3. Desgaste normal;
4. Artículos de mantenimiento de rutina tales como lubricantes, afilado de cuchillas;
5. Deterioro normal del acabado exterior debido al uso o la exposición.

### LÍNEA DE ASISTENCIA TELEFÓNICA:

Puede contactar con el servicio de garantía llamando a nuestra línea de asistencia telefónica gratuita a 1-888-909-6757.

### COSTES DE TRANSPORTE:

Los costes de transporte por el desplazamiento de cualquier unidad o accesorio de equipos eléctricos son responsabilidad del comprador. Es responsabilidad del comprador pagar los costes de transporte de cualquier pieza enviada para su sustitución bajo esta garantía, a menos que dicha devolución sea solicitada por escrito por Greenworks.

### Dirección en EE.UU.:

Greenworks Tools  
P.O. Box 1238, Mooresville, NC 28115

### Dirección en Canadá:



Greenworks Tools Canada, Inc.

P.O. Box 93095, Newmarket, Ontario, L3Y 8K3

**Dirección en México:**

TECNOLOGIA CAMPO Y JARDIN S.A. DE C.V.

ADMINISTRADORES No. 5336 A, COL. ARCOS DE  
GUADALUPE, ZAPOPAN , JALISCO , C.P. 45037





[www.greenworkstools.com](http://www.greenworkstools.com)



**greenworks**<sup>®</sup>

P0804522-00 Rev B