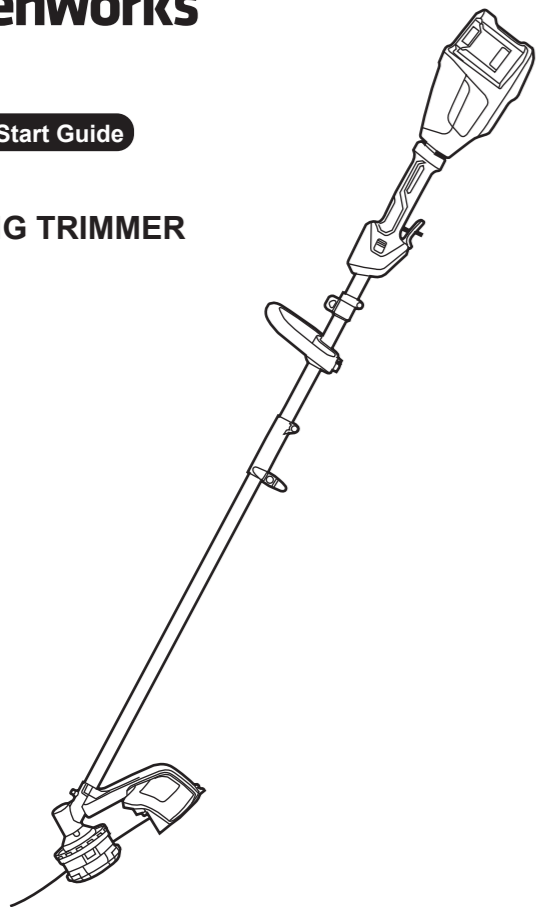
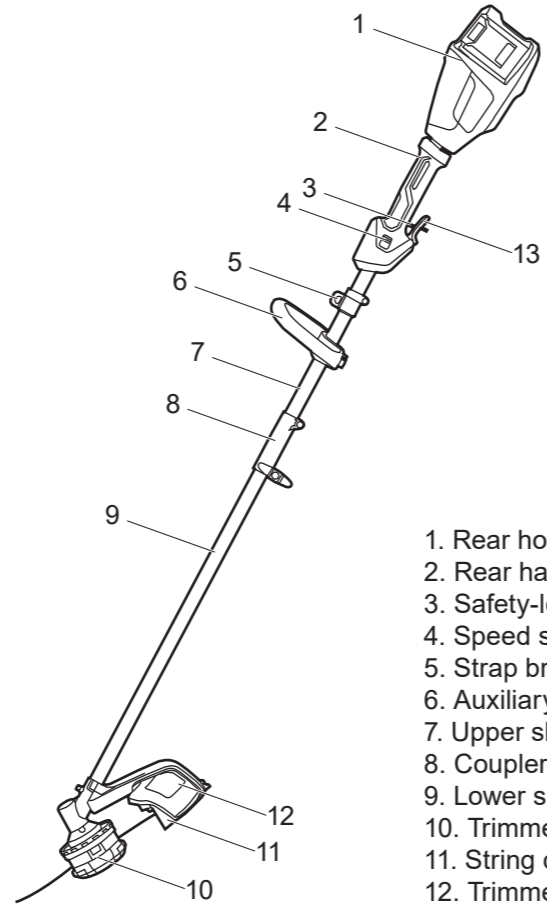


STRING TRIMMER



Depending on the model purchased, packaging will contain different accessories and parts. Refer to the package for more details.

KNOW YOUR PRODUCT

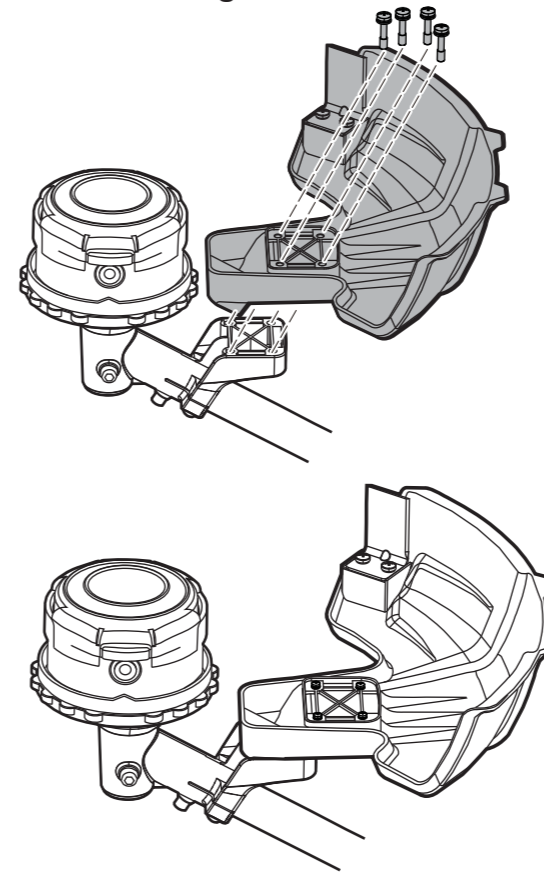


- 1. Rear housing
- 2. Rear handle
- 3. Safety-lock lever
- 4. Speed switch
- 5. Strap bracket
- 6. Auxiliary handle
- 7. Upper shaft
- 8. Coupler
- 9. Lower shaft
- 10. Trimmer head
- 11. String cut-off blade
- 12. Trimmer guard
- 13. Trigger

1

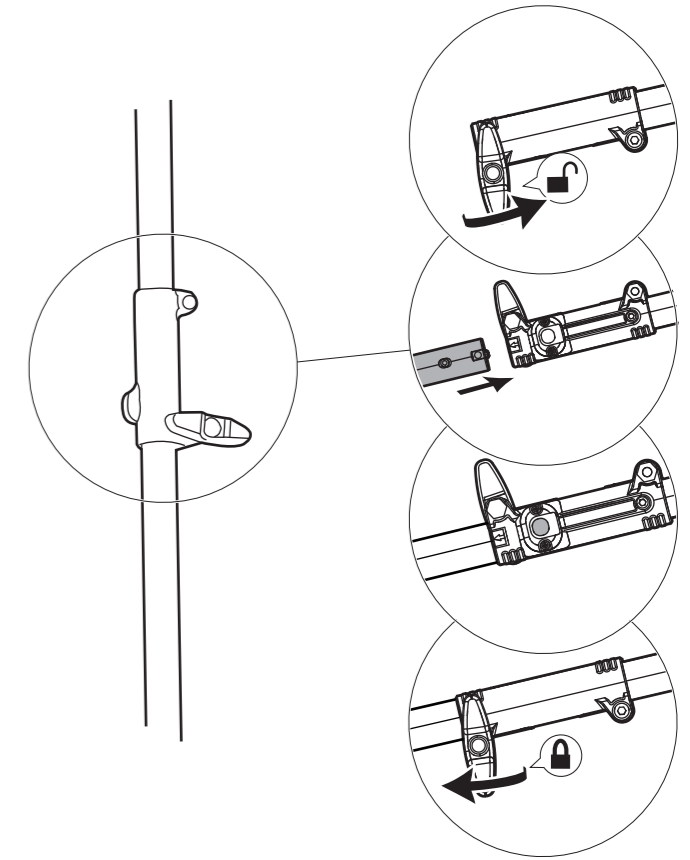
ASSEMBLY

Install the trimmer guard



2

Assemble the shaft



3



Europe
www.greenworkstools.eu



USA
www.greenworkstools.com



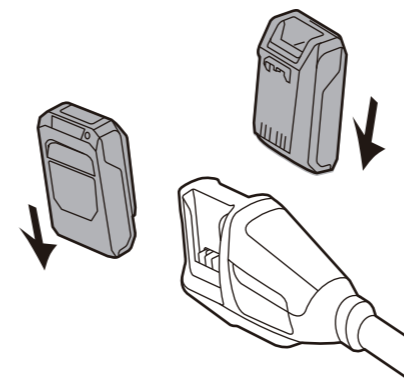
Canada
www.greenworkstools.ca



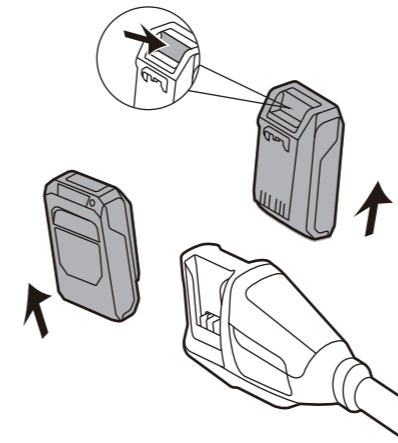
4

OPERATION

Connect the battery to the product

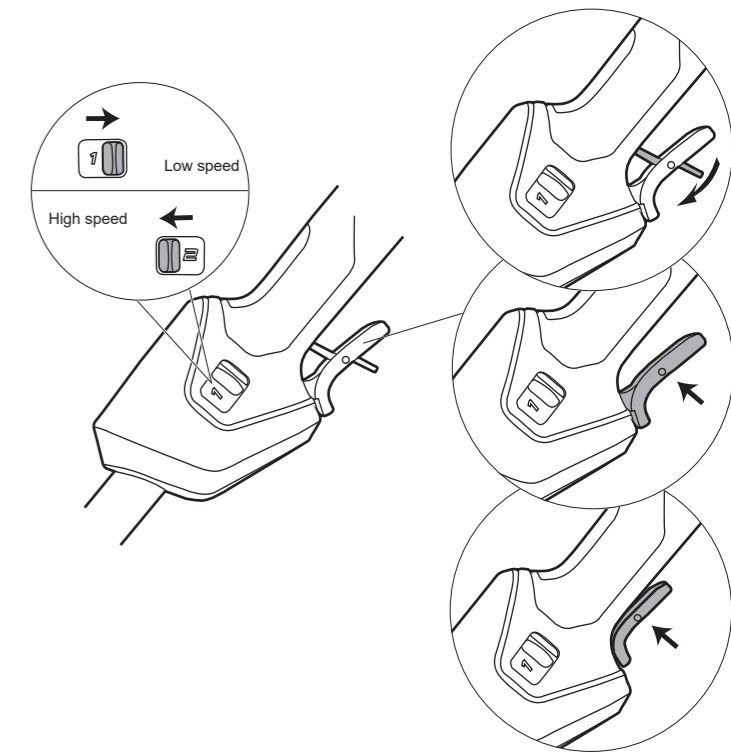


Stop the product



5

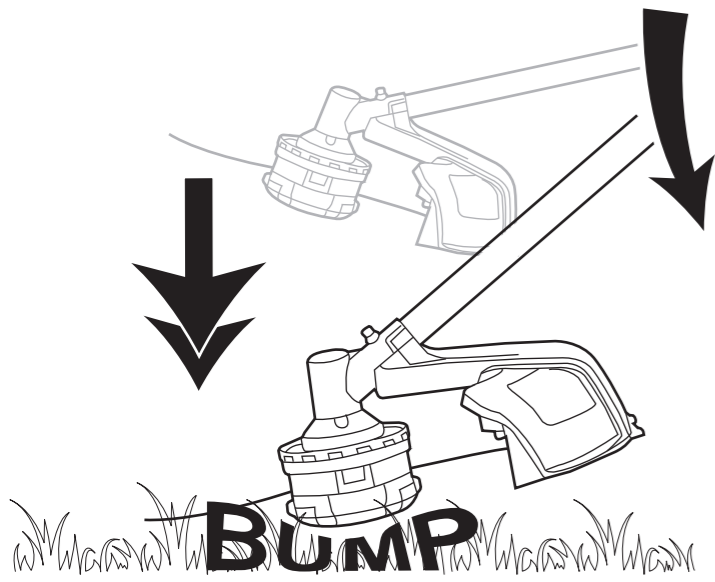
Start the product



6

Adjust the length of the cutting line

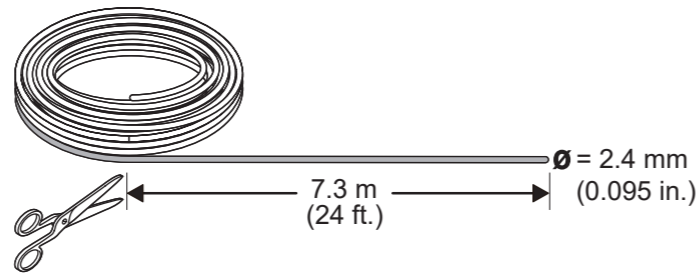
7



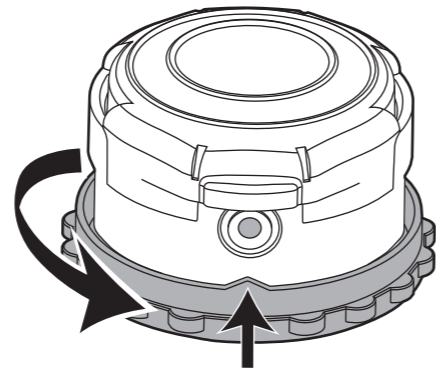
MAINTENANCE

Replace the cutting line

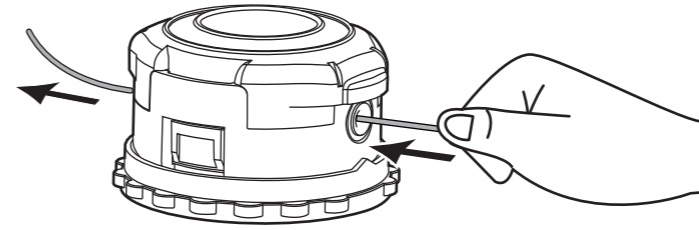
8



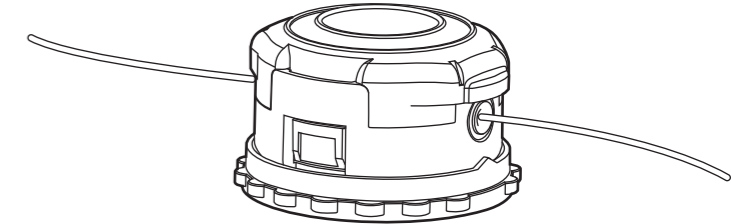
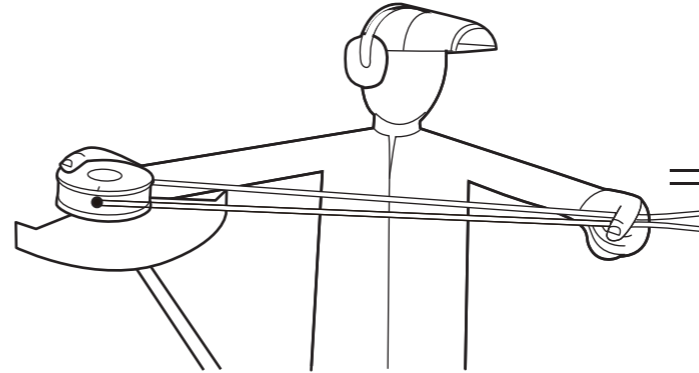
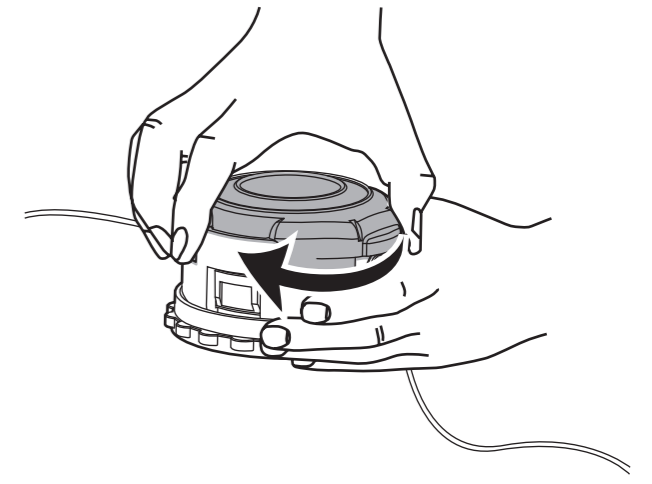
Push and turn the lower cover. Ensure that the slot on the lower cover aligns with the line exit hole on the trimmer head.



9

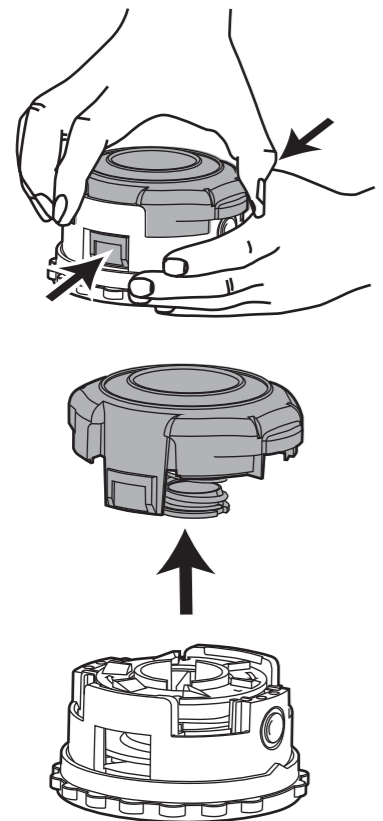


10



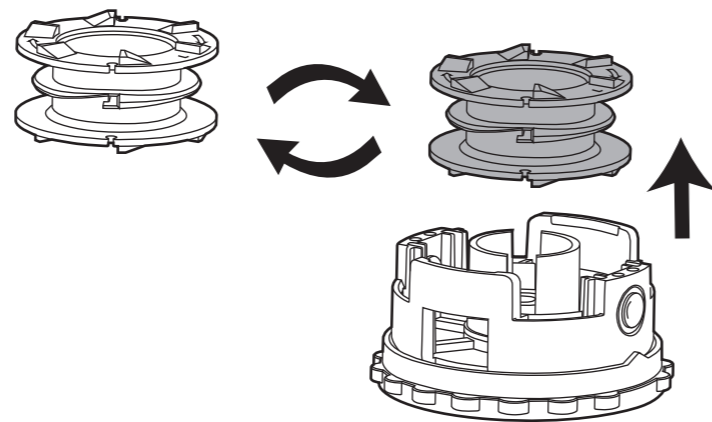
Replace the spool

11



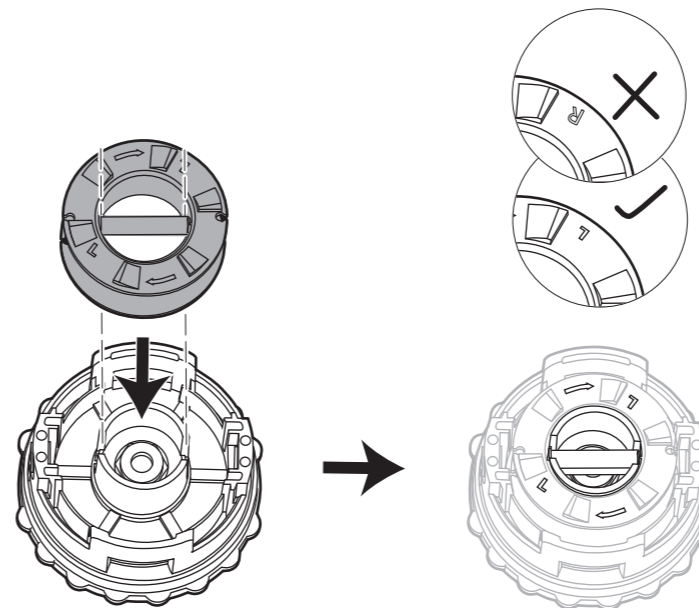
Replace with a new spool.

12



The L side of the spool should face outward.

13



14

